



US00D929635S

(12) **United States Design Patent**  
**Wu et al.**

(10) **Patent No.:** **US D929,635 S**

(45) **Date of Patent:** **\*\* Aug. 31, 2021**

(54) **LED FLOOD LIGHT**

(71) Applicant: **Shenzhen Huadian Lighting Co., Ltd.**,  
Guangdong (CN)

(72) Inventors: **Dongwei Wu**, Guangdong (CN);  
**Huadong Wu**, Guangdong (CN)

(\*\*) Term: **15 Years**

(21) Appl. No.: **29/717,963**

(22) Filed: **Dec. 20, 2019**

(30) **Foreign Application Priority Data**

Jul. 9, 2019 (CN) ..... 201930362635.X

(51) **LOC (13) Cl.** ..... **26-05**

(52) **U.S. Cl.**  
USPC ..... **D26/63**

(58) **Field of Classification Search**  
USPC ..... D10/106.6, 106.7, 106.8; D26/61-66  
CPC .... F21S 8/03; F21S 8/032; F21S 8/033; F21S  
9/03; F21S 9/032; F21S 9/035; F21S  
9/037; F21V 21/30  
See application file for complete search history.

(56) **References Cited**

**U.S. PATENT DOCUMENTS**

D547,477 S \* 7/2007 Guercio ..... D26/63  
D547,478 S \* 7/2007 Guercio ..... D26/63  
D550,877 S \* 9/2007 Mullen ..... D26/63  
D618,374 S \* 6/2010 Guercio ..... D26/63  
D629,548 S \* 12/2010 Cai ..... D26/63

D664,695 S \* 7/2012 Herberholt ..... D26/63  
D670,421 S \* 11/2012 Herberholt ..... D26/63  
D680,253 S \* 4/2013 Herberholt ..... D26/60  
D774,675 S \* 12/2016 Hong ..... D26/63  
D808,053 S \* 1/2018 Gordin ..... D26/63  
D838,025 S \* 1/2019 Yu ..... D26/63  
D853,005 S \* 7/2019 Zou ..... D26/63  
D853,006 S \* 7/2019 Zou ..... D26/63

\* cited by examiner

*Primary Examiner* — George D. Kirschbaum

*Assistant Examiner* — Joseph J Kukella

(74) *Attorney, Agent, or Firm* — Prakash Nama; Global  
IP Services, PLLC

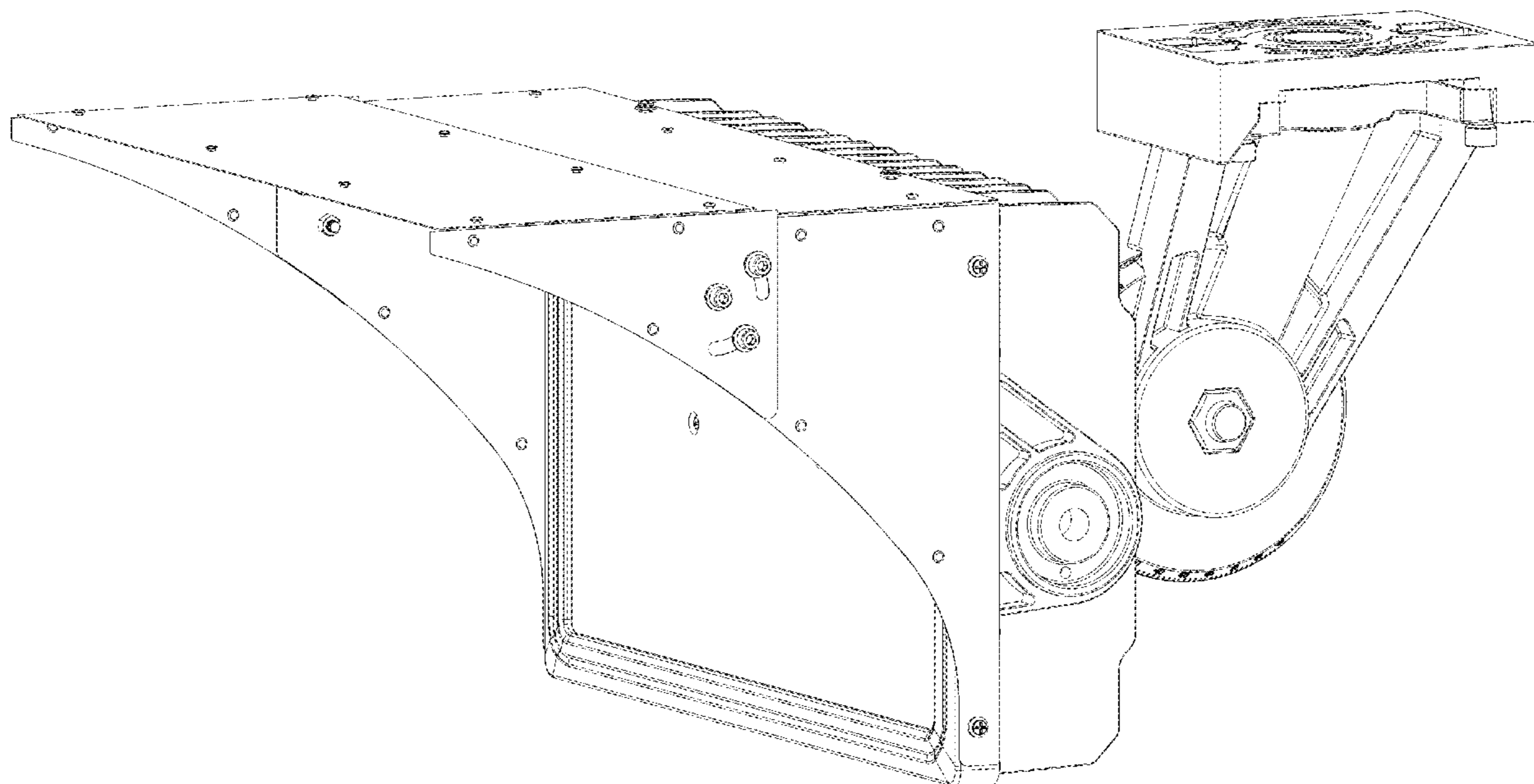
(57) **CLAIM**

The ornamental design for a LED flood light, as shown.

**DESCRIPTION**

FIG. 1 is a front elevational view of a LED flood light showing our new design;  
FIG. 2 is a rear elevational view thereof;  
FIG. 3 is a left side view thereof;  
FIG. 4 is a right side view thereof;  
FIG. 5 is a top plan view thereof;  
FIG. 6 is a bottom plan view thereof;  
FIG. 7 is a perspective view thereof;  
FIG. 8 is a second perspective view thereof;  
FIG. 9 is a third perspective view thereof;  
FIG. 10 is a fourth perspective view thereof;  
FIG. 11 is a fifth perspective view thereof; and,  
FIG. 12 is a sixth perspective view thereof.

**1 Claim, 12 Drawing Sheets**



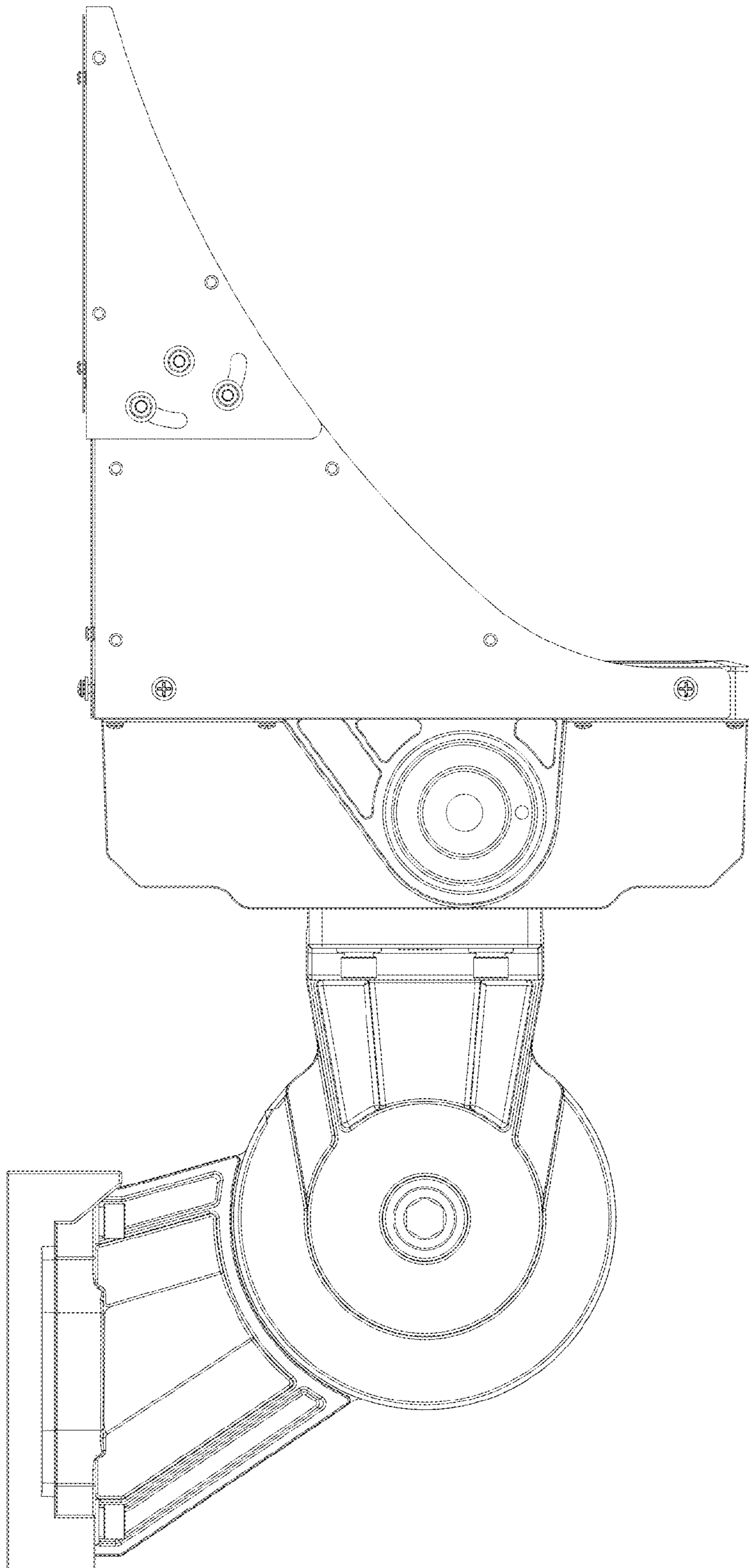


Fig. 1

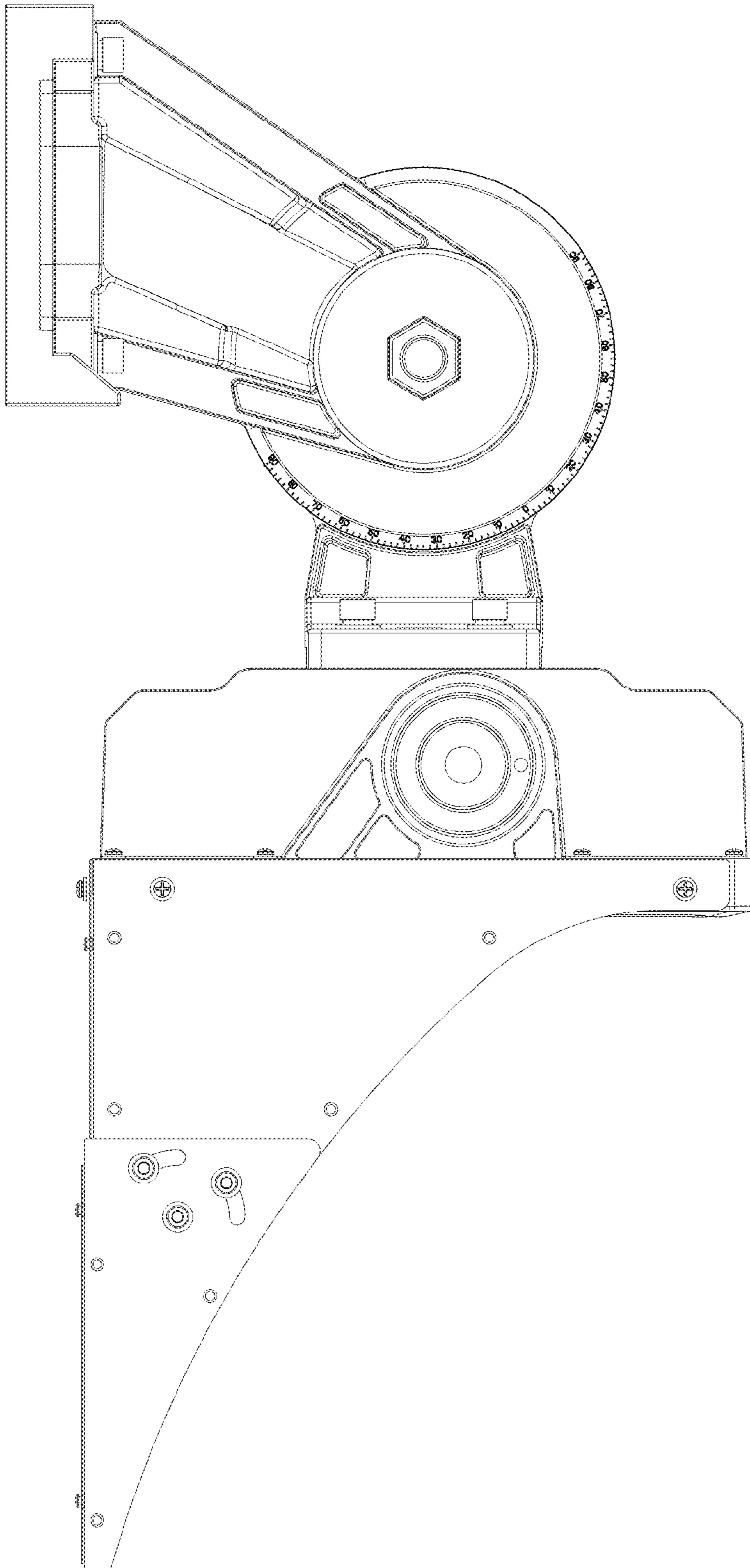


Fig. 2

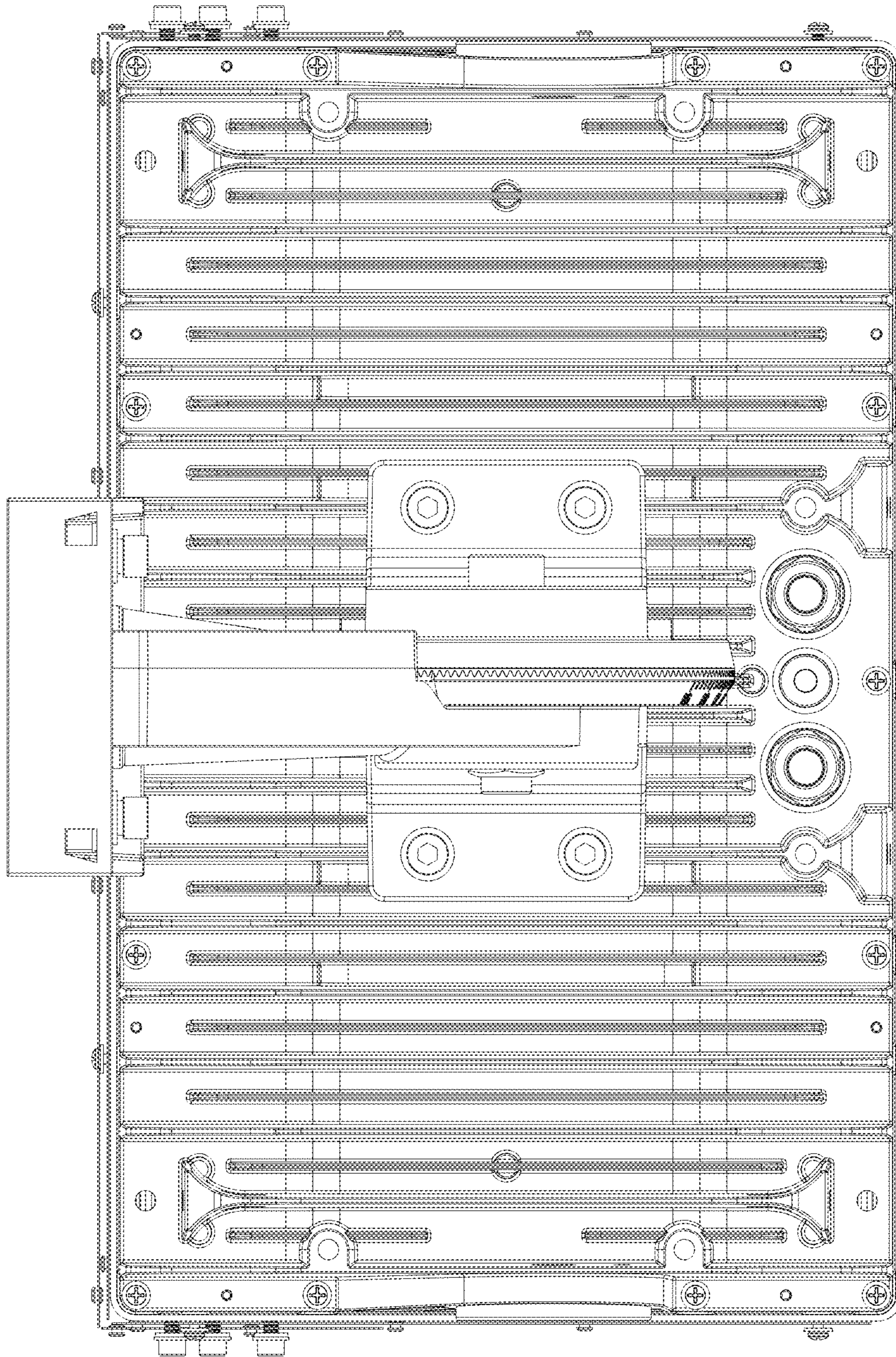


Fig. 3

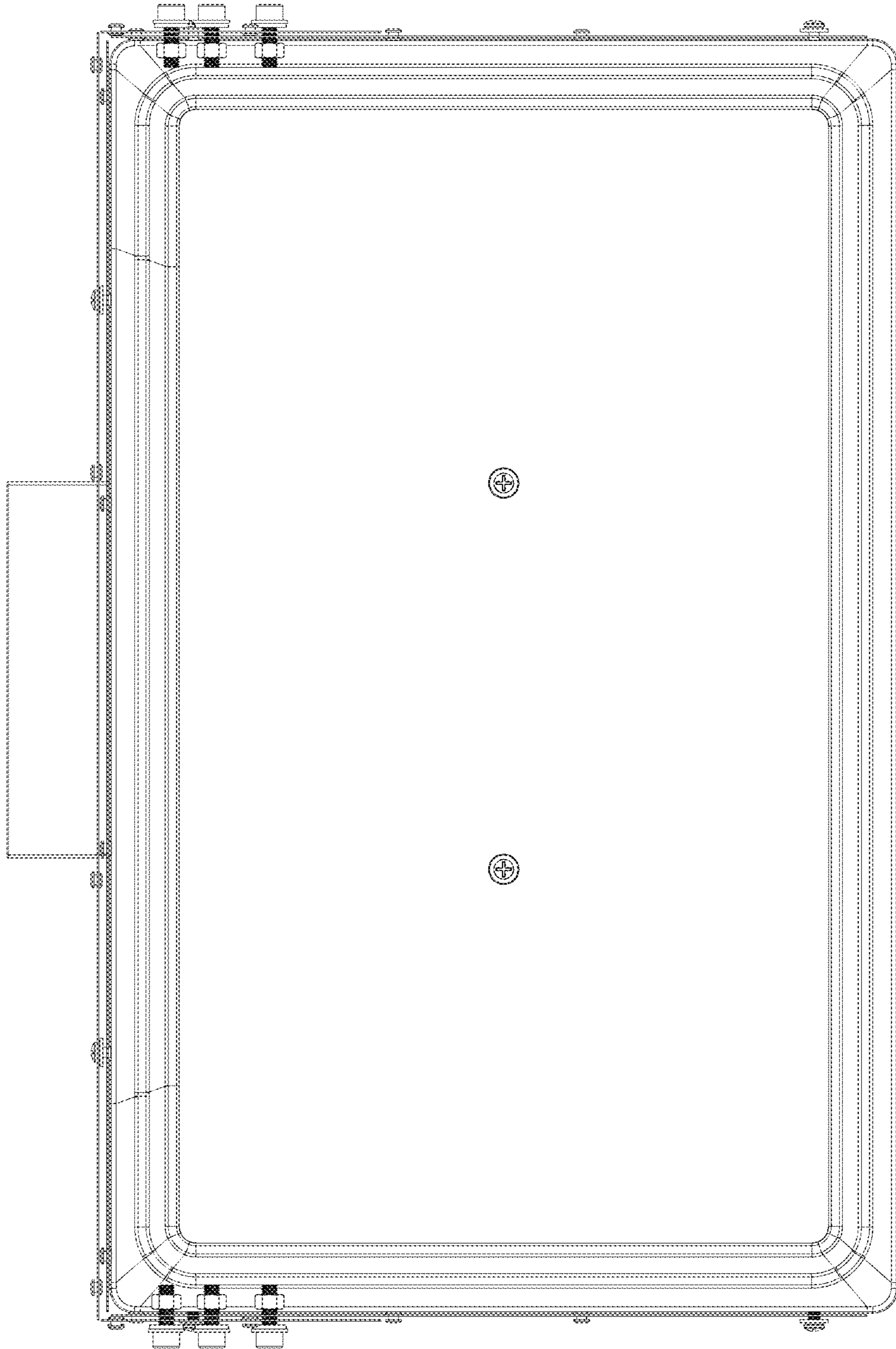


Fig. 4

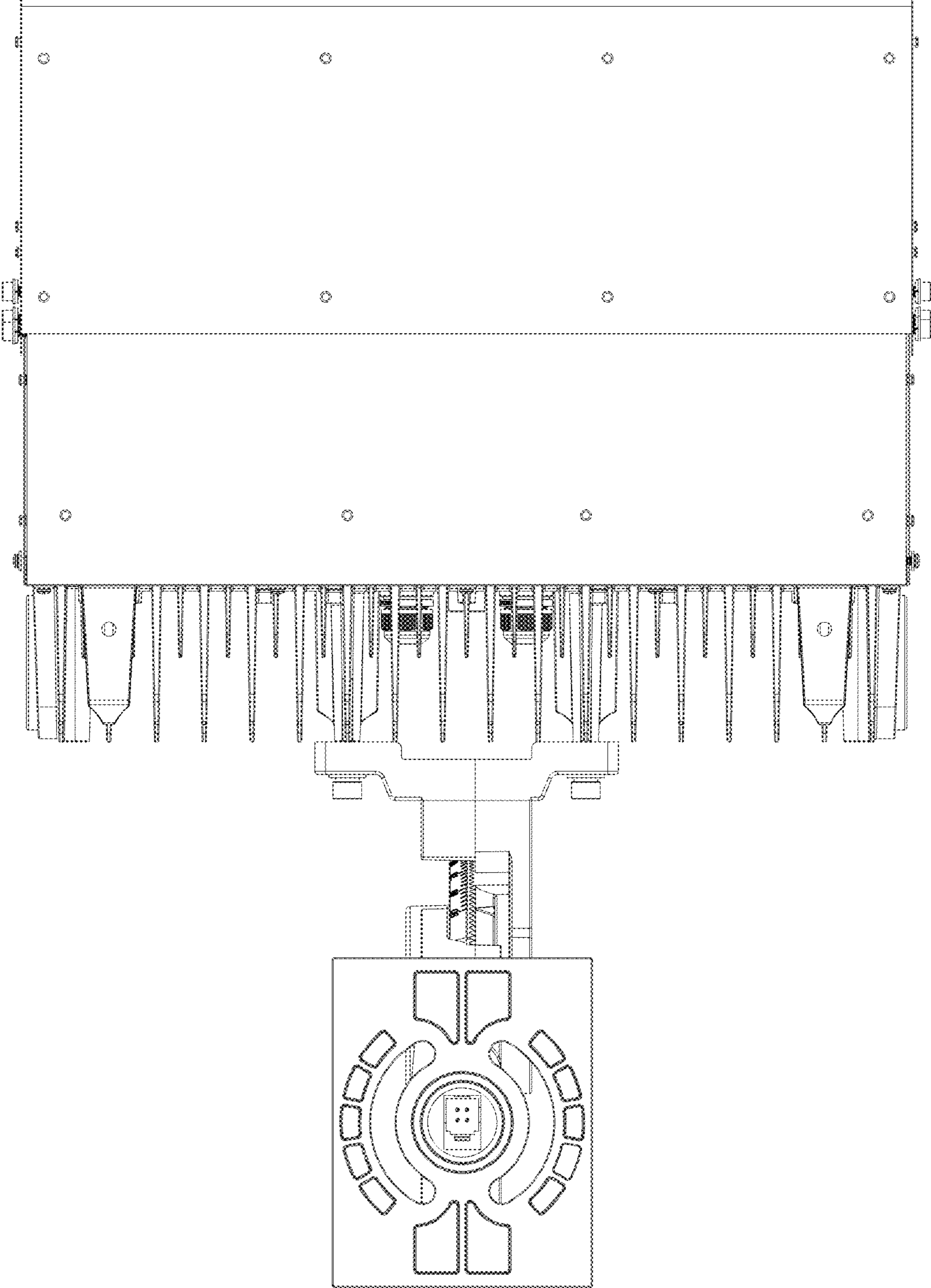


Fig. 5

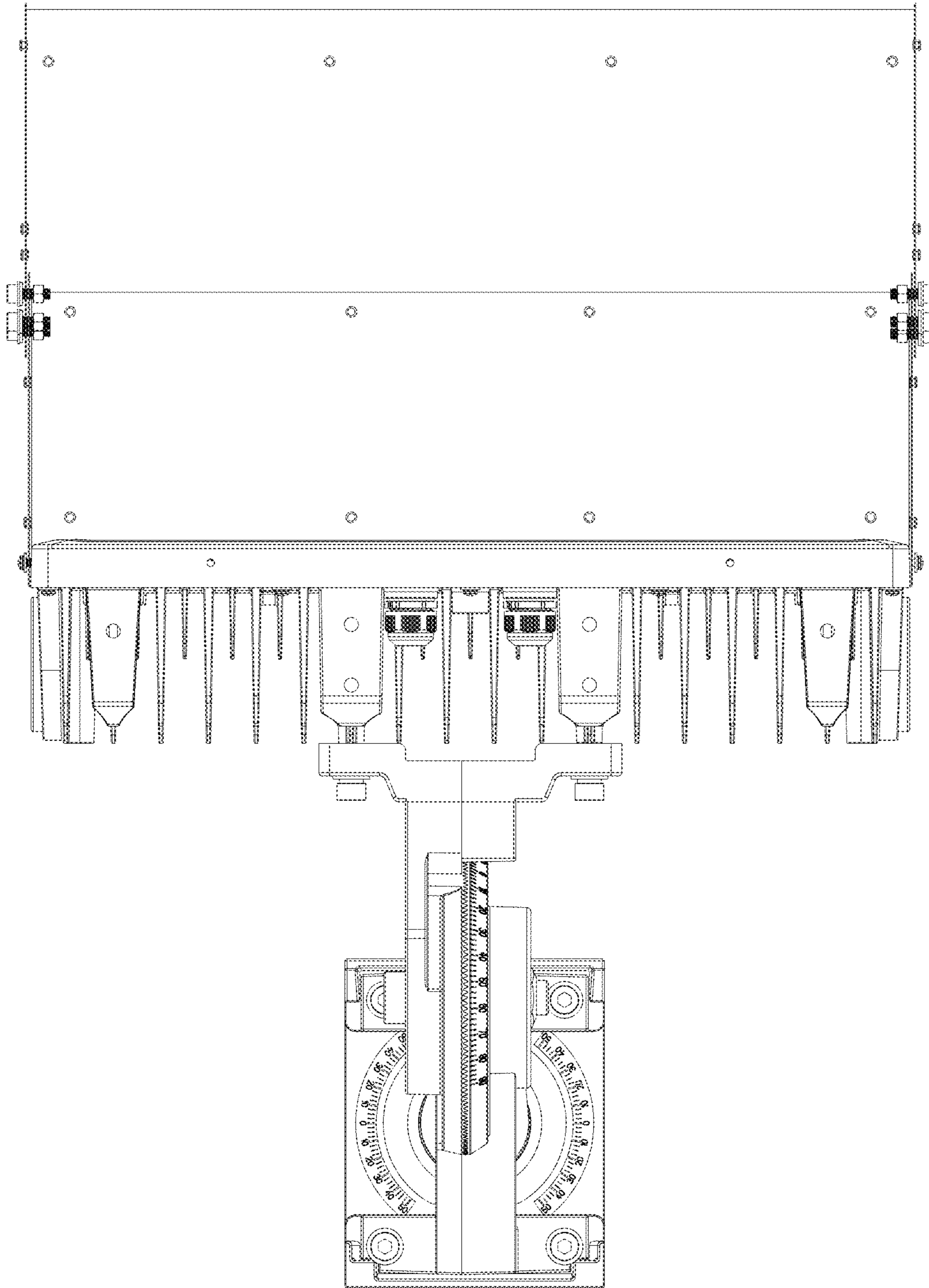


Fig. 6

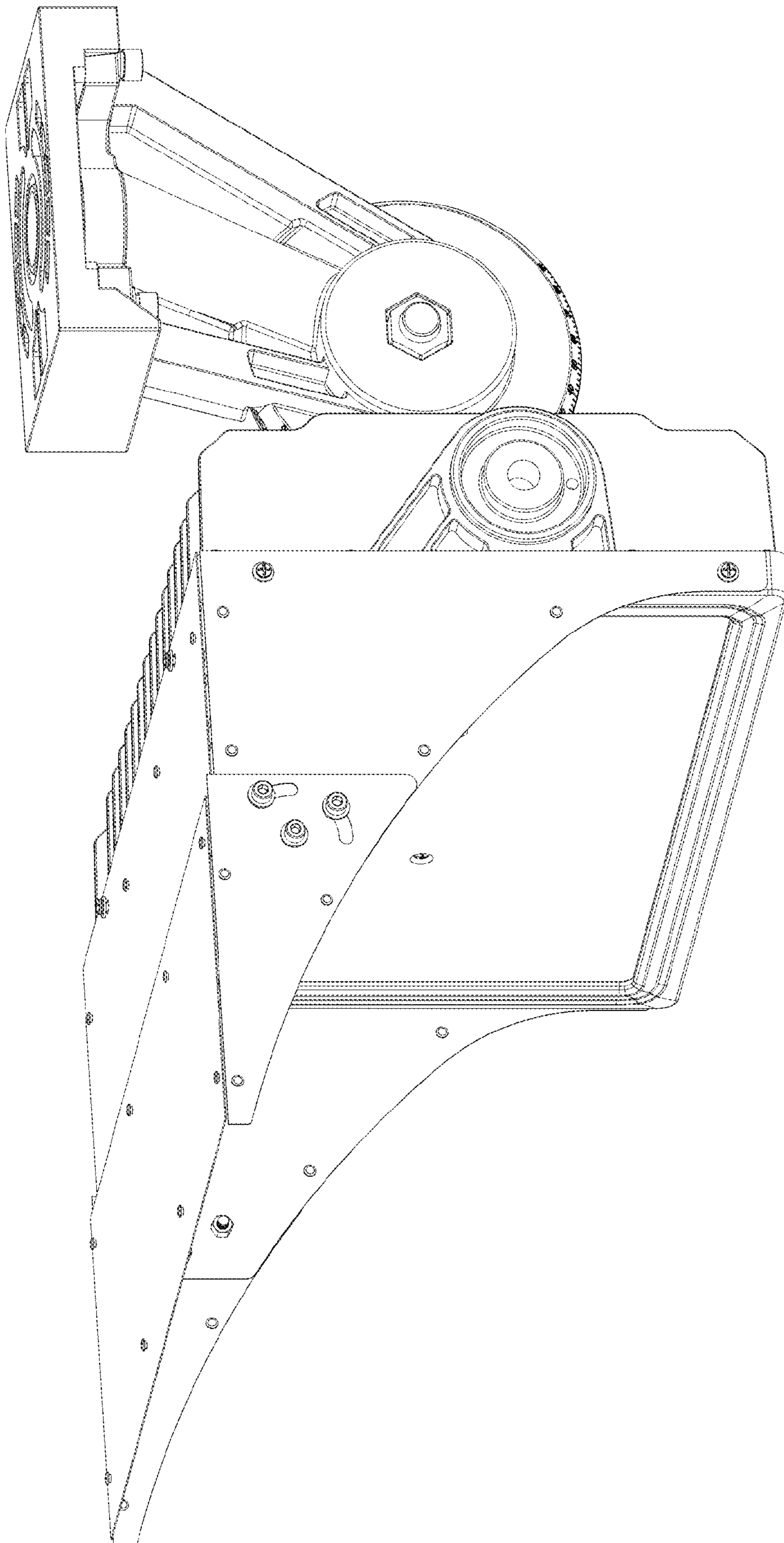


Fig. 7



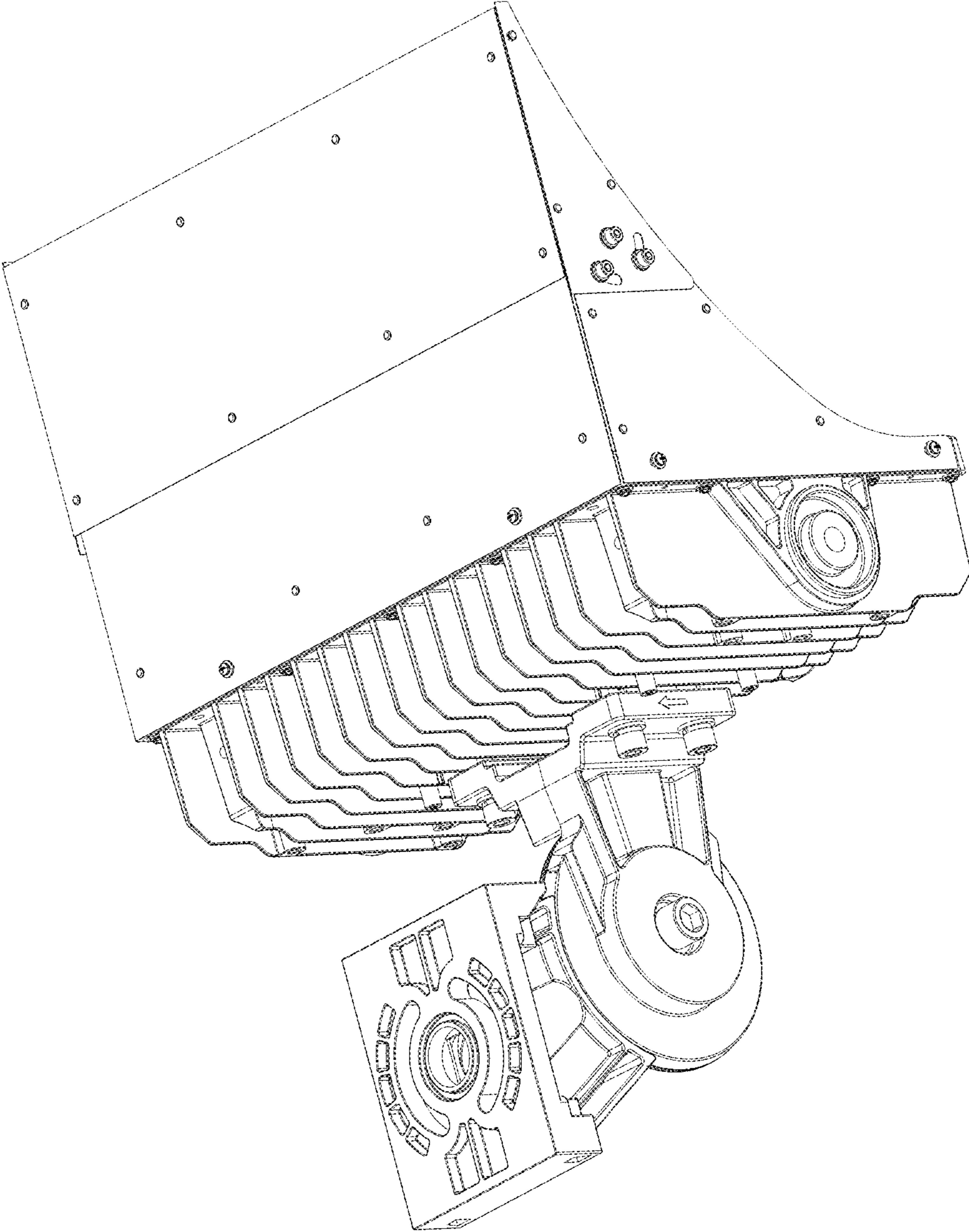


Fig. 8

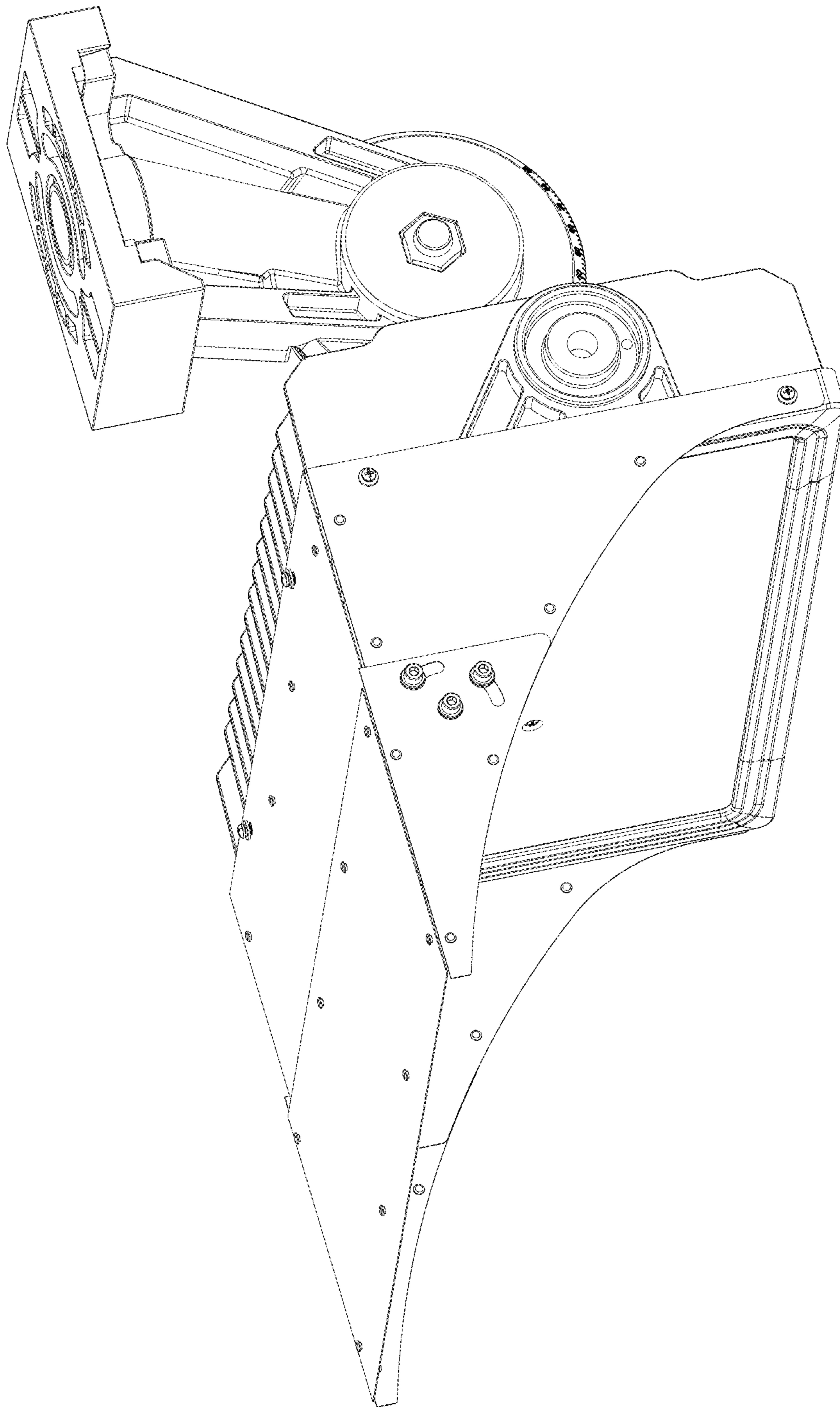


Fig. 9

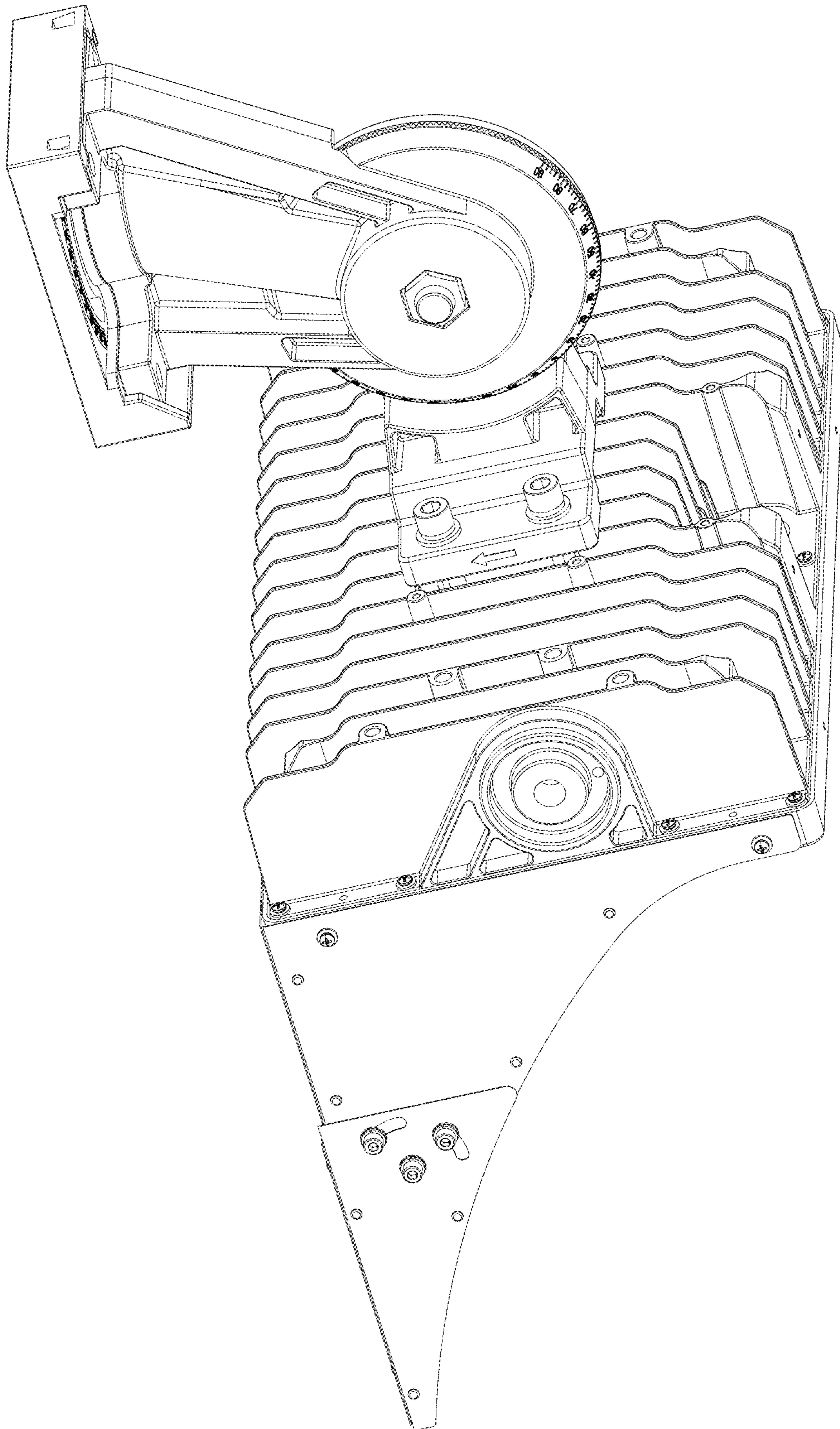


Fig. 10

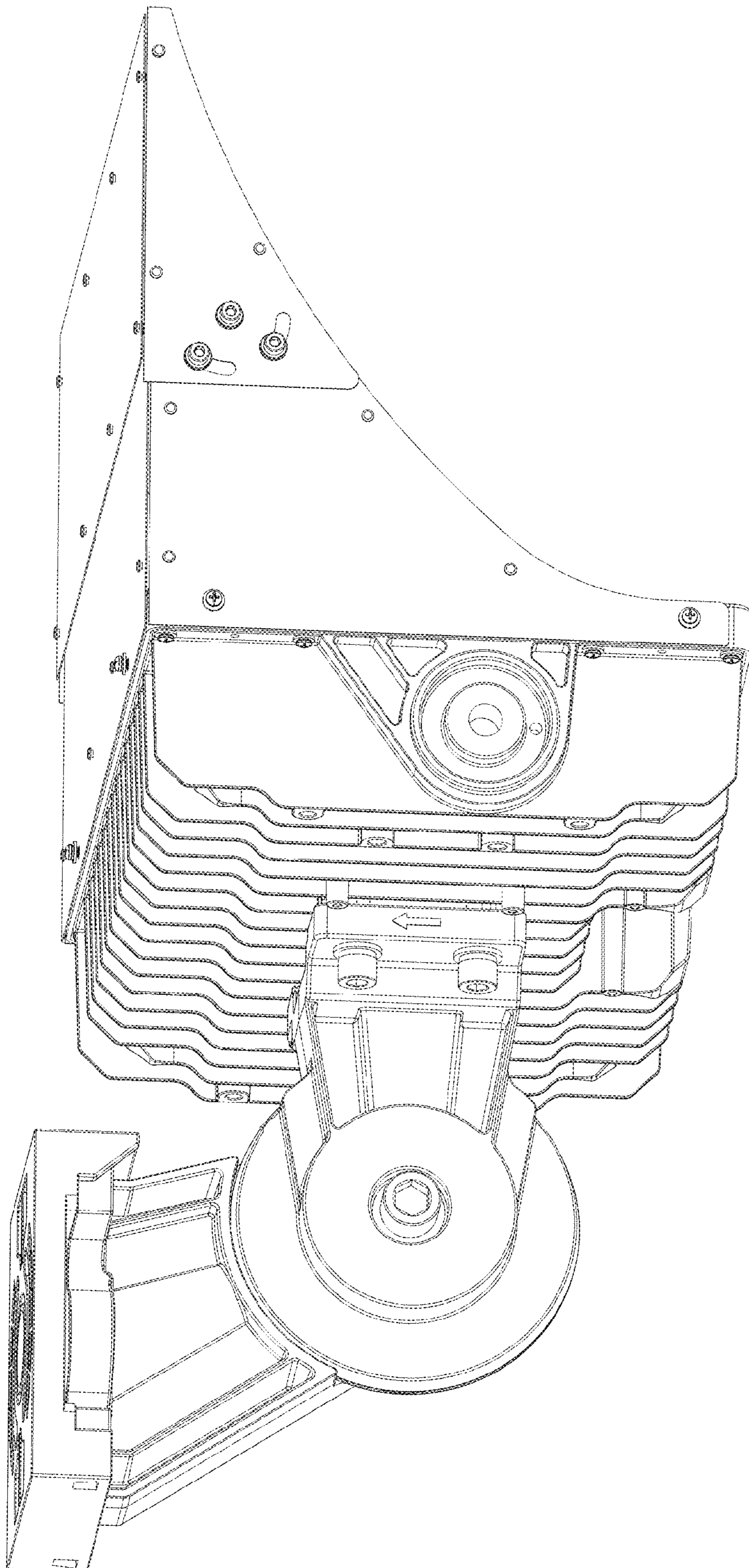


Fig. 11

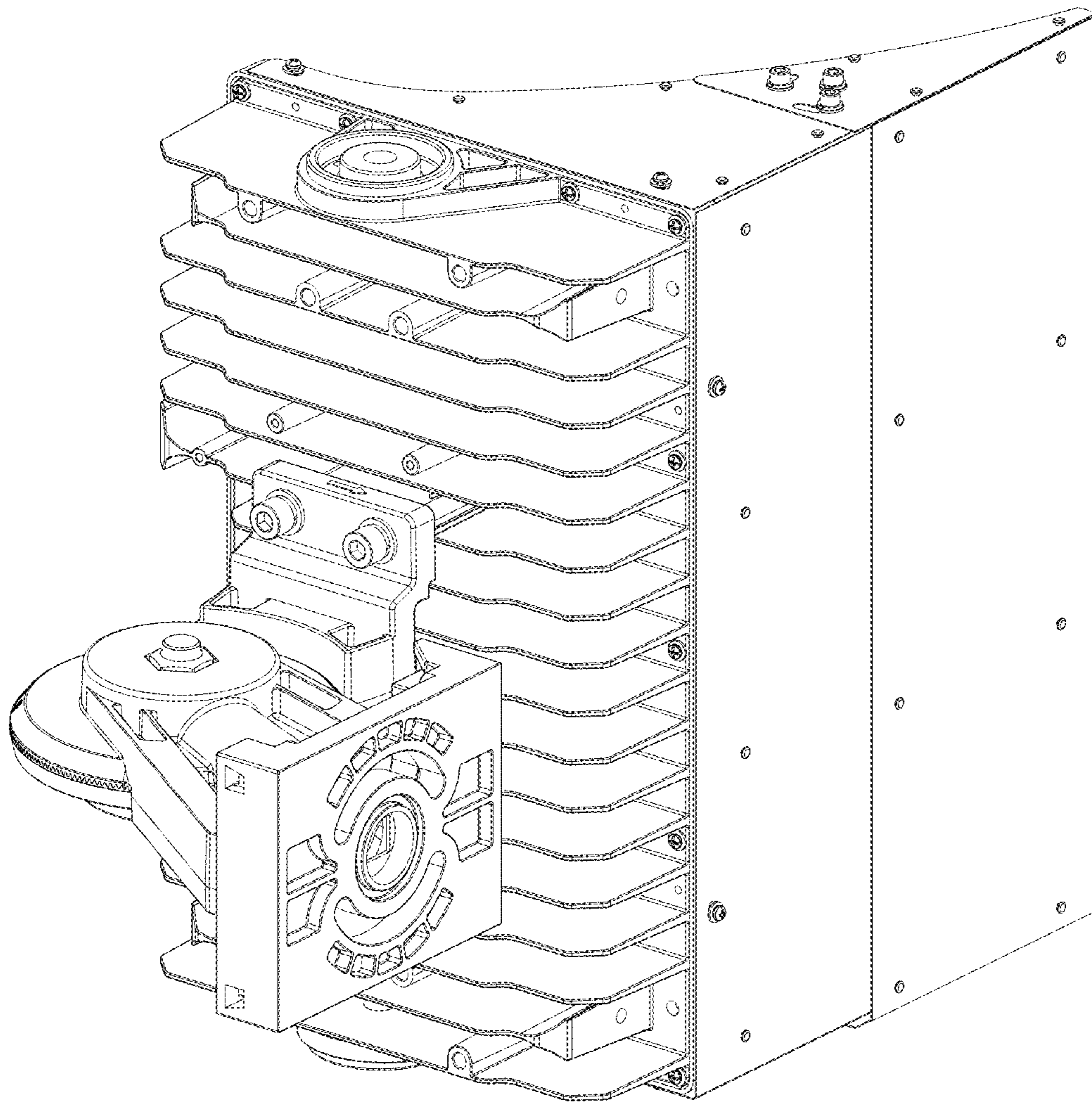


Fig. 12