



US00D929633S

(12) **United States Design Patent**
Zhang

(10) **Patent No.:** **US D929,633 S**

(45) **Date of Patent:** **** Aug. 31, 2021**

(54) **CEILING FAN LIGHT KIT**

(71) Applicant: **Carro Technology Inc.**, Alhambra, CA
(US)

(72) Inventor: **Jiansheng Zhang**, Foshan (CN)

(73) Assignee: **Carro Technology Inc.**, Alhambra, CA
(US)

(**) Term: **15 Years**

(21) Appl. No.: **29/672,139**

(22) Filed: **Dec. 3, 2018**

(30) **Foreign Application Priority Data**

Aug. 16, 2018 (CN) 201830455742.2

(51) **LOC (13) Cl.** **26-05**

(52) **U.S. Cl.**
USPC **D26/59**

(58) **Field of Classification Search**

USPC D23/370, 377, 411; D26/59
CPC F21V 33/0092; F24F 2221/02
See application file for complete search history.

(56) **References Cited**

U.S. PATENT DOCUMENTS

D596,737 S *	7/2009	Pan	23/411
D671,633 S *	11/2012	Glasbrenner	23/411
D710,001 S *	7/2014	Wang	23/411
D743,522 S *	11/2015	Pan	23/411
D801,514 S *	10/2017	Wang	23/411
D807,488 S *	1/2018	McRoberts	D23/377
D858,836 S *	9/2019	McRoberts	D26/59

D874,632 S *	2/2020	Holmes	D23/377
D875,918 S *	2/2020	Haggar	23/411
D876,609 S *	2/2020	O'Connell	23/411
D879,940 S *	3/2020	Orozco	23/411
D886,345 S *	6/2020	O'Connell	D26/59
D888,224 S *	6/2020	Guthrie	23/411

* cited by examiner

Primary Examiner — Janice Hallmark

(74) *Attorney, Agent, or Firm* — Thomas J. Nikolai;
DeWitt LLP

(57) **CLAIM**

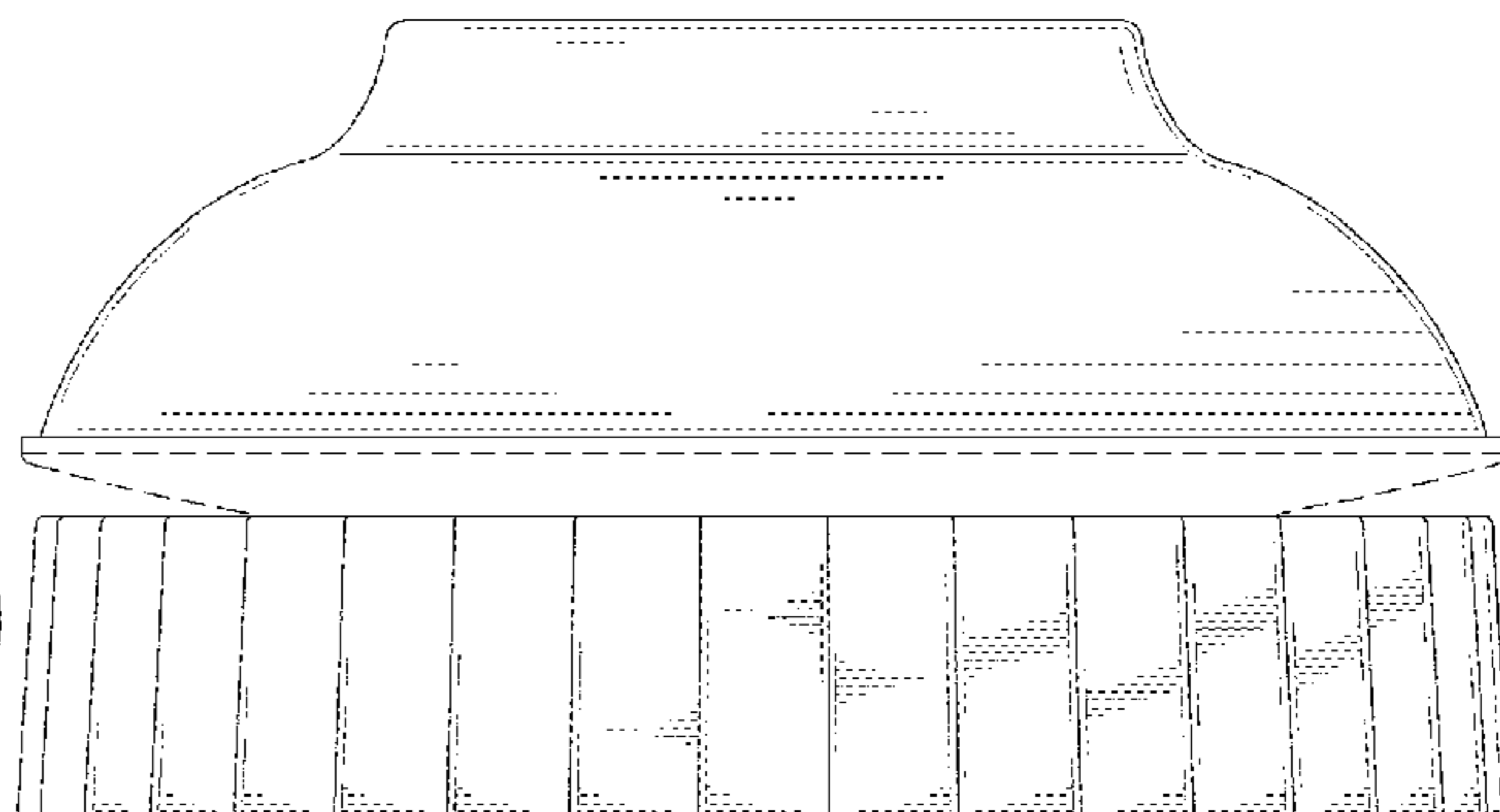
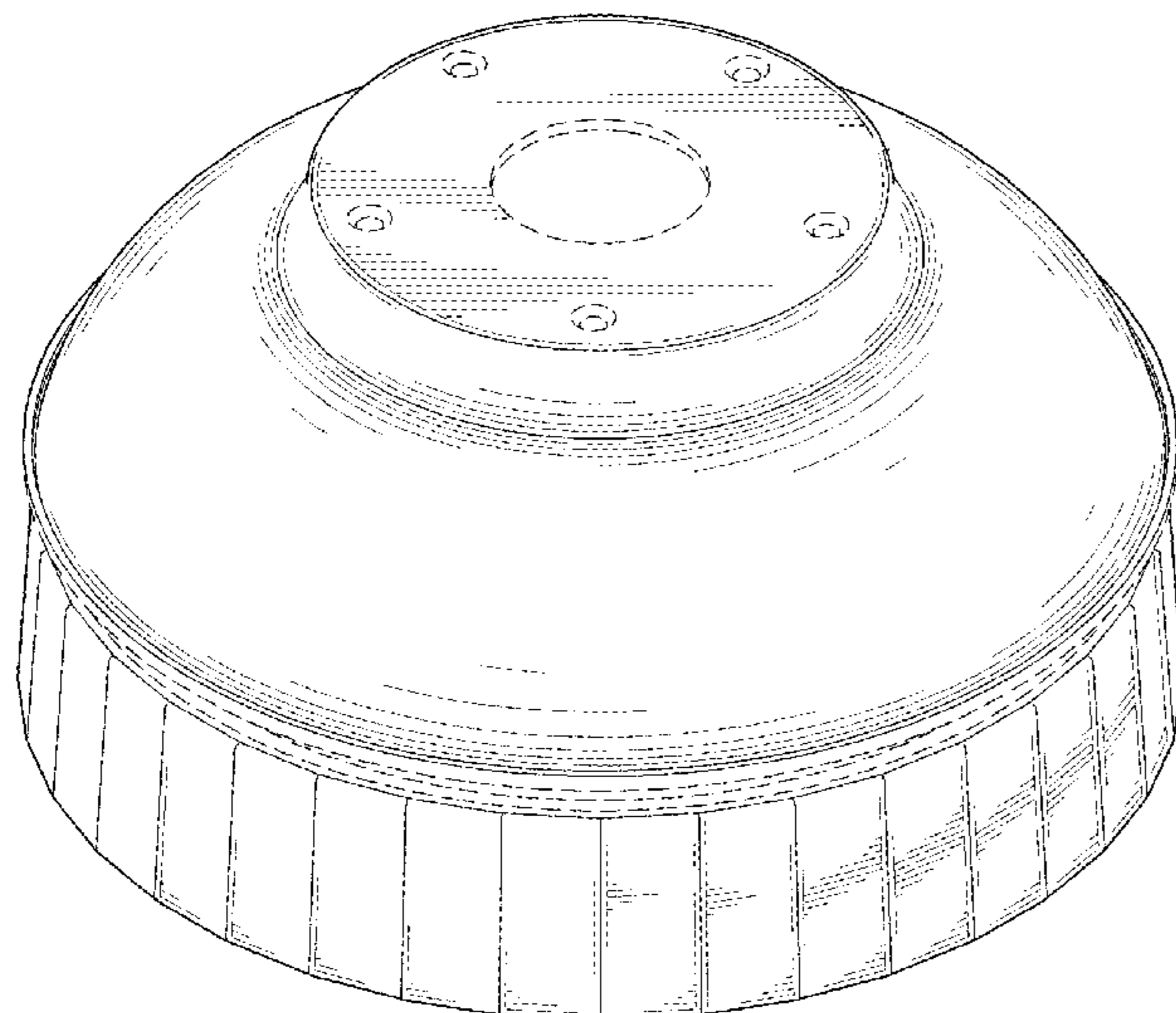
The ornamental design for a ceiling fan light kit, as shown and described.

DESCRIPTION

FIG. 1 is a top perspective view of a ceiling fan light kit showing my new design;
FIG. 2 is a front elevation view thereof;
FIG. 3 is a rear elevation view thereof;
FIG. 4 is a left side elevation view thereof;
FIG. 5 is a right side elevation view thereof;
FIG. 6 is a top plan view thereof;
FIG. 7 is a bottom plan view thereof;
FIG. 8 is a bottom perspective view thereof; and,
FIG. 9 is an operational perspective view of the ceiling fan light kit in accordance with my design, shown in its environment.

The broken lines in the drawings illustrate portions of the ceiling fan light kit that form no part of the claimed design. Additional broken lines showing ceiling fan parts in FIG. 9 depict environment and form no part of the claimed design.

1 Claim, 9 Drawing Sheets



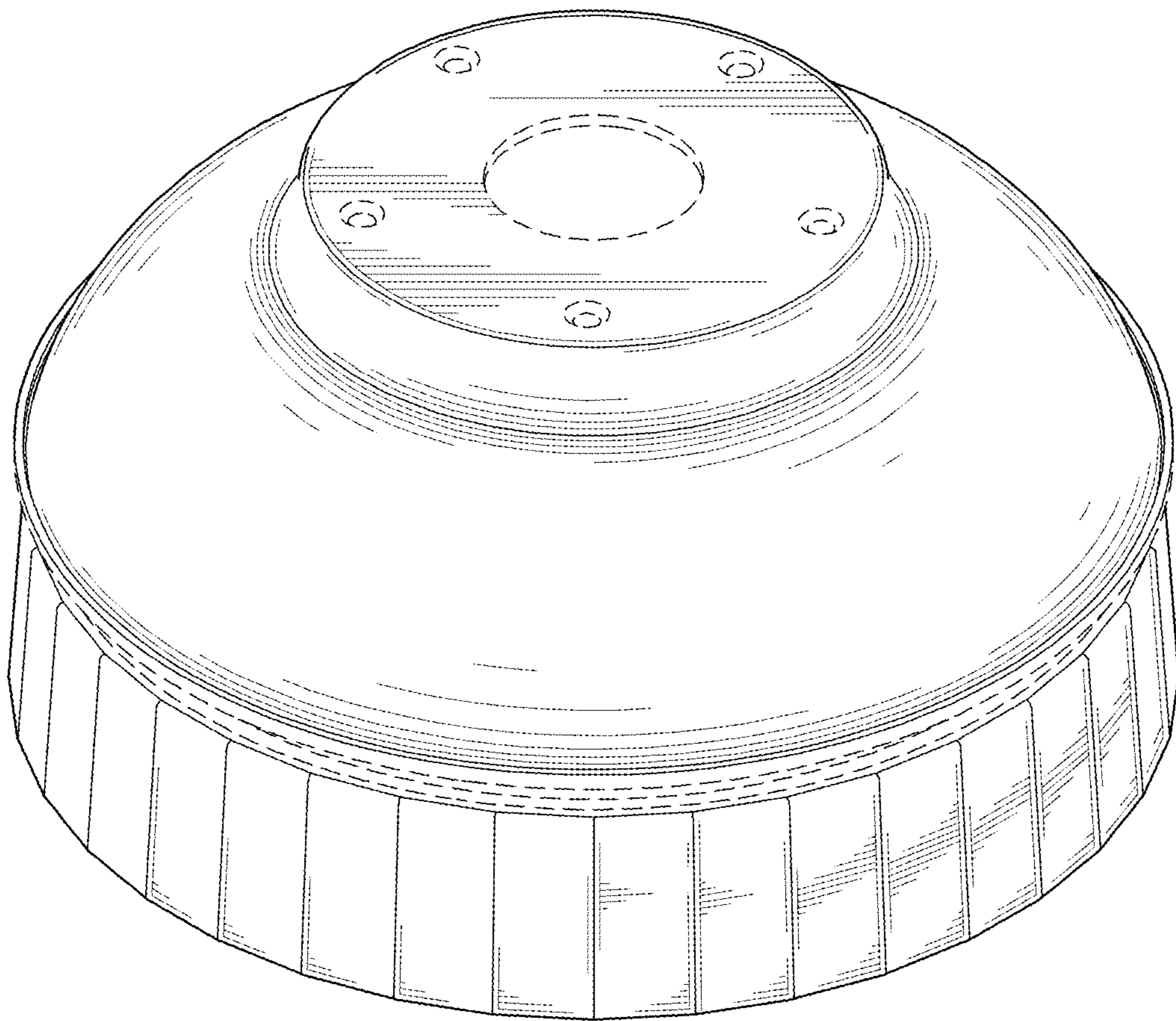


FIG. 1

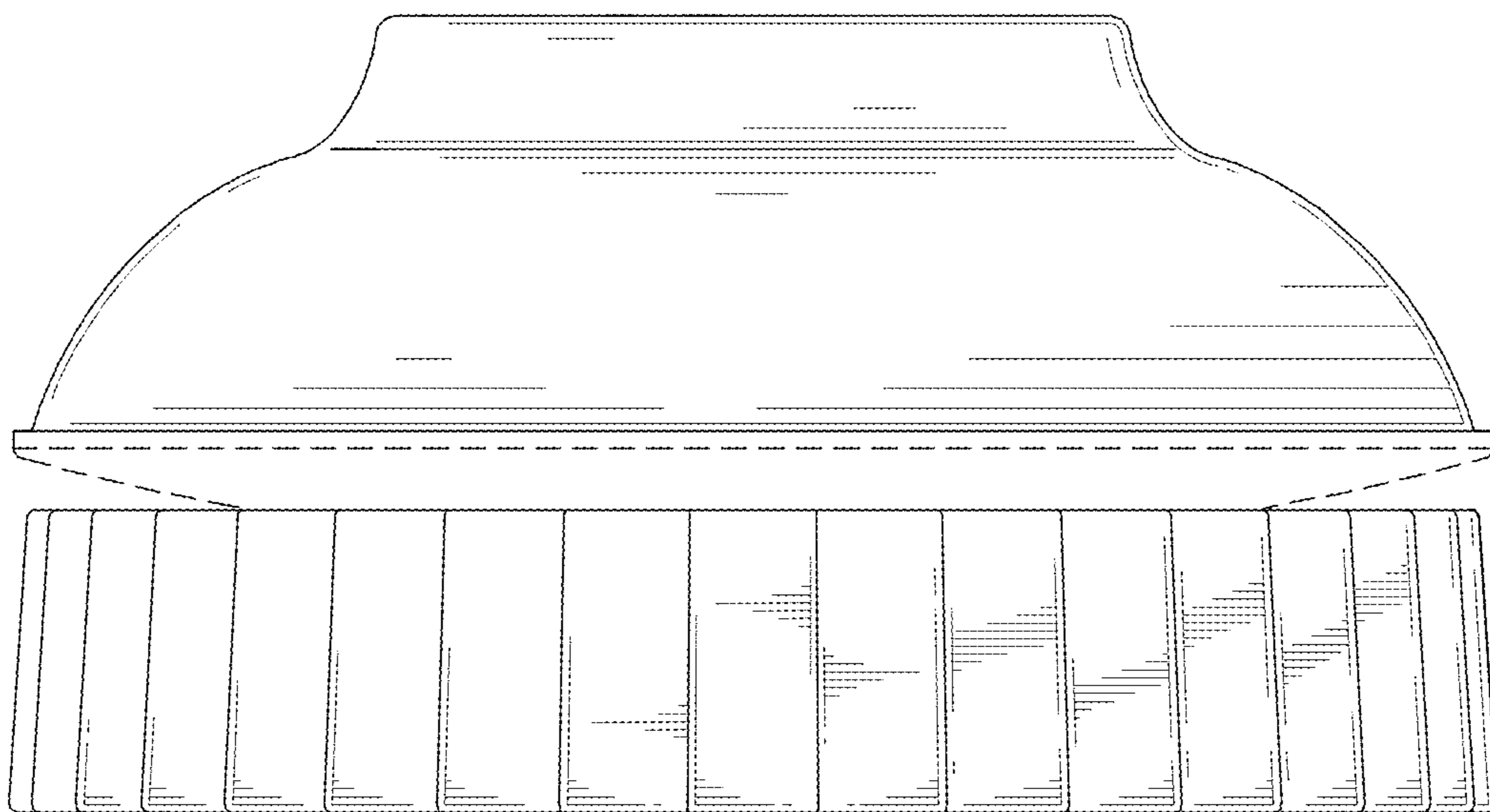


FIG. 2

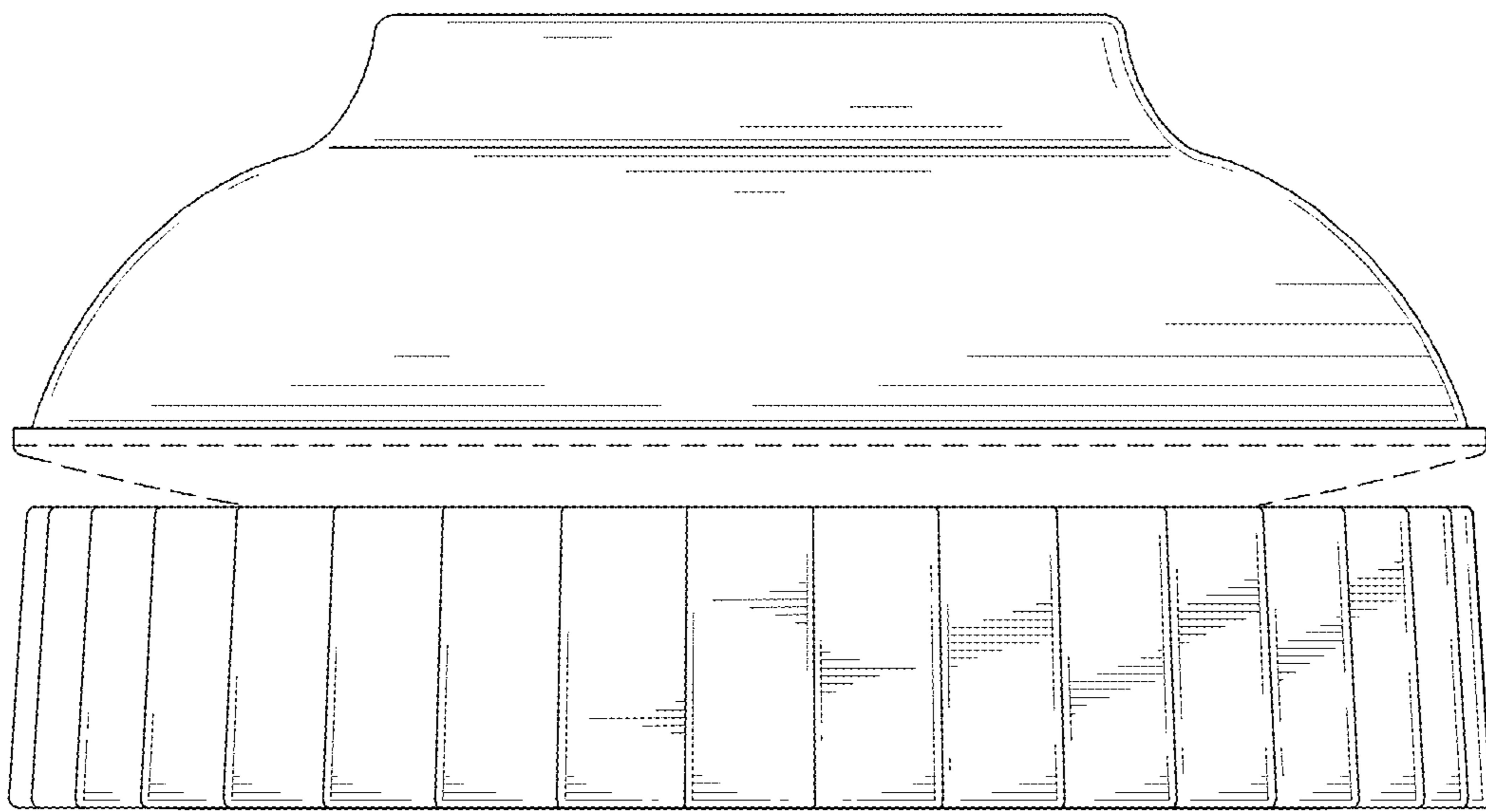


FIG. 3

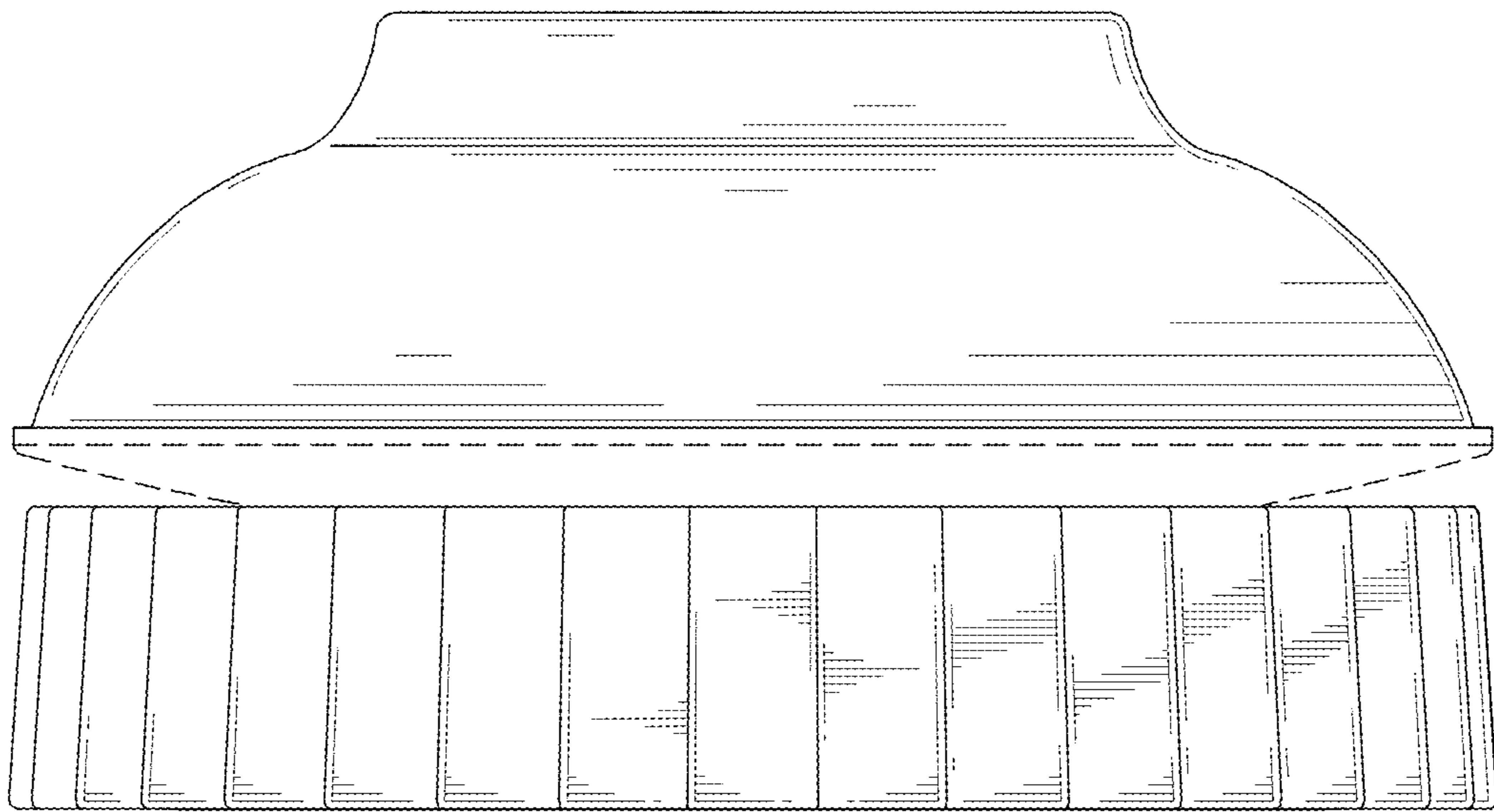


FIG. 4

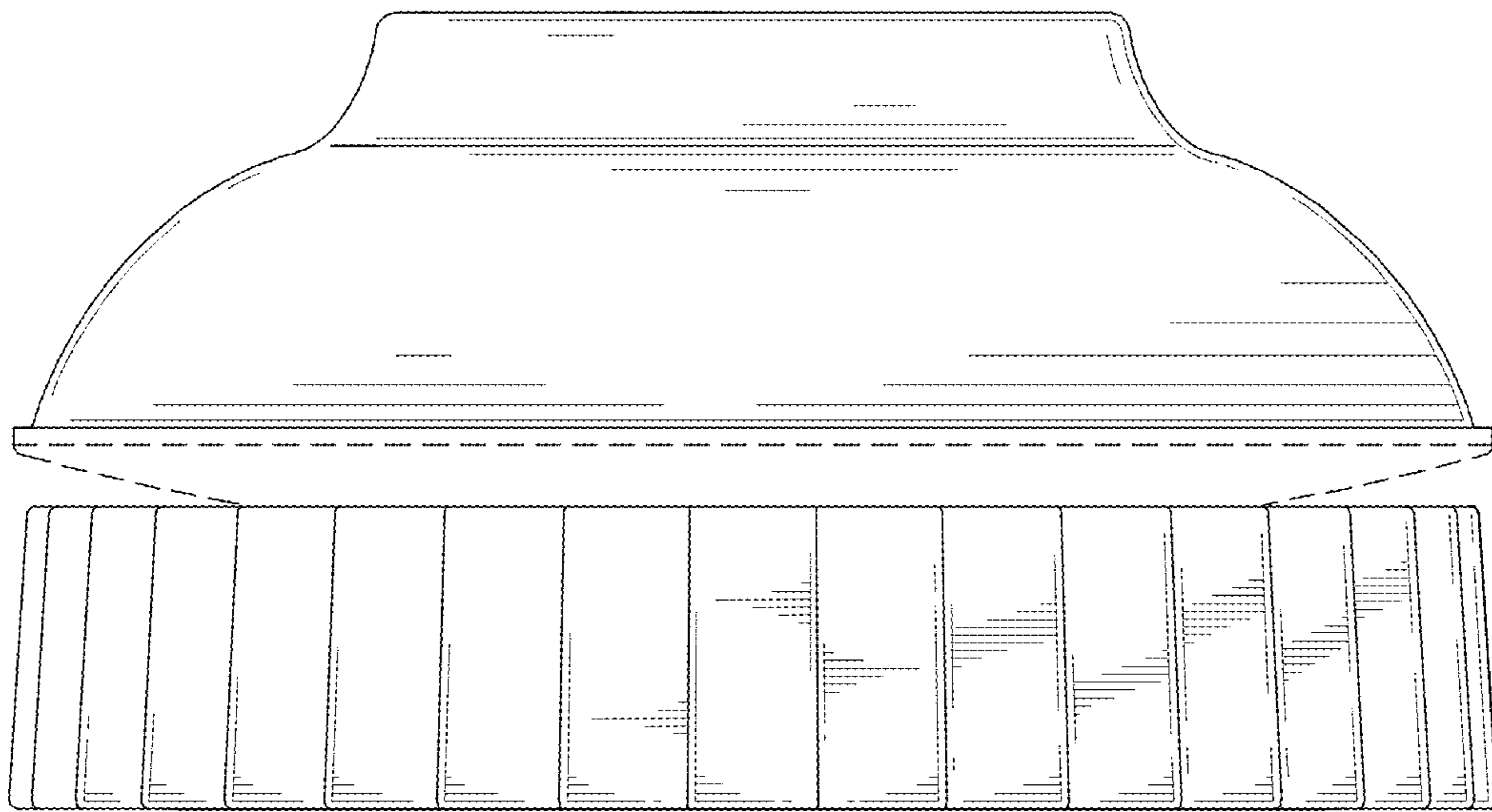


FIG. 5

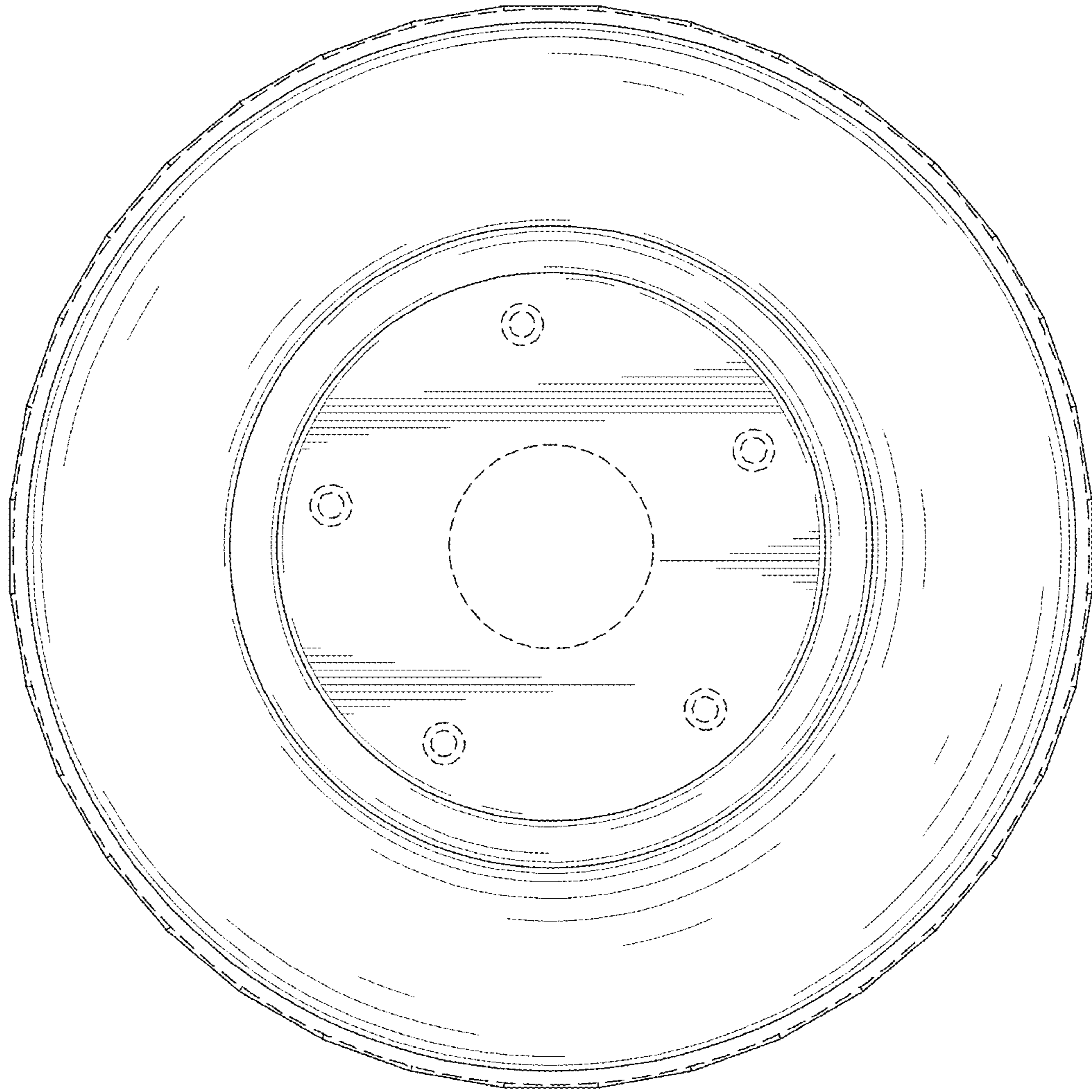


FIG. 6

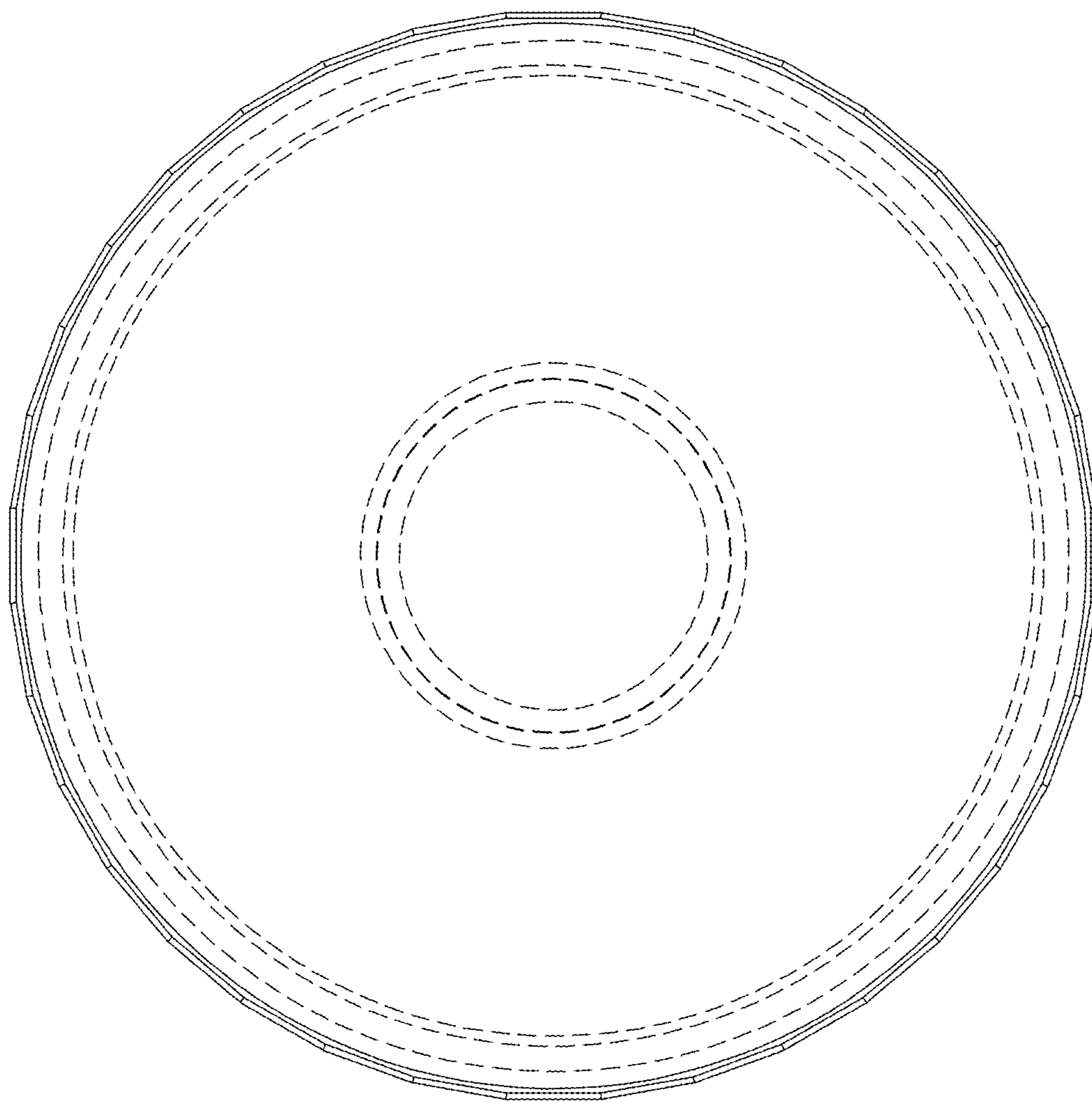


FIG. 7

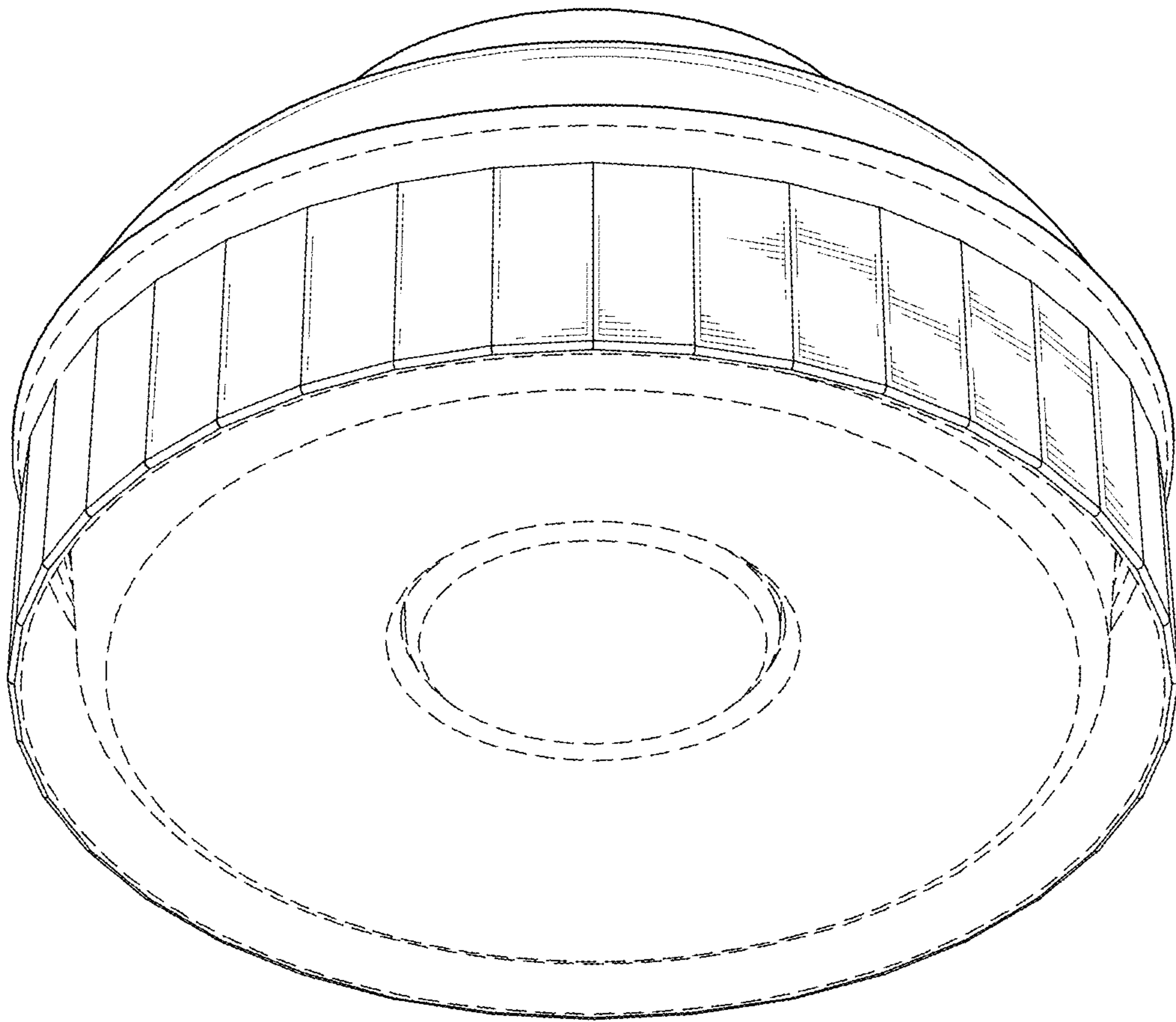


FIG. 8

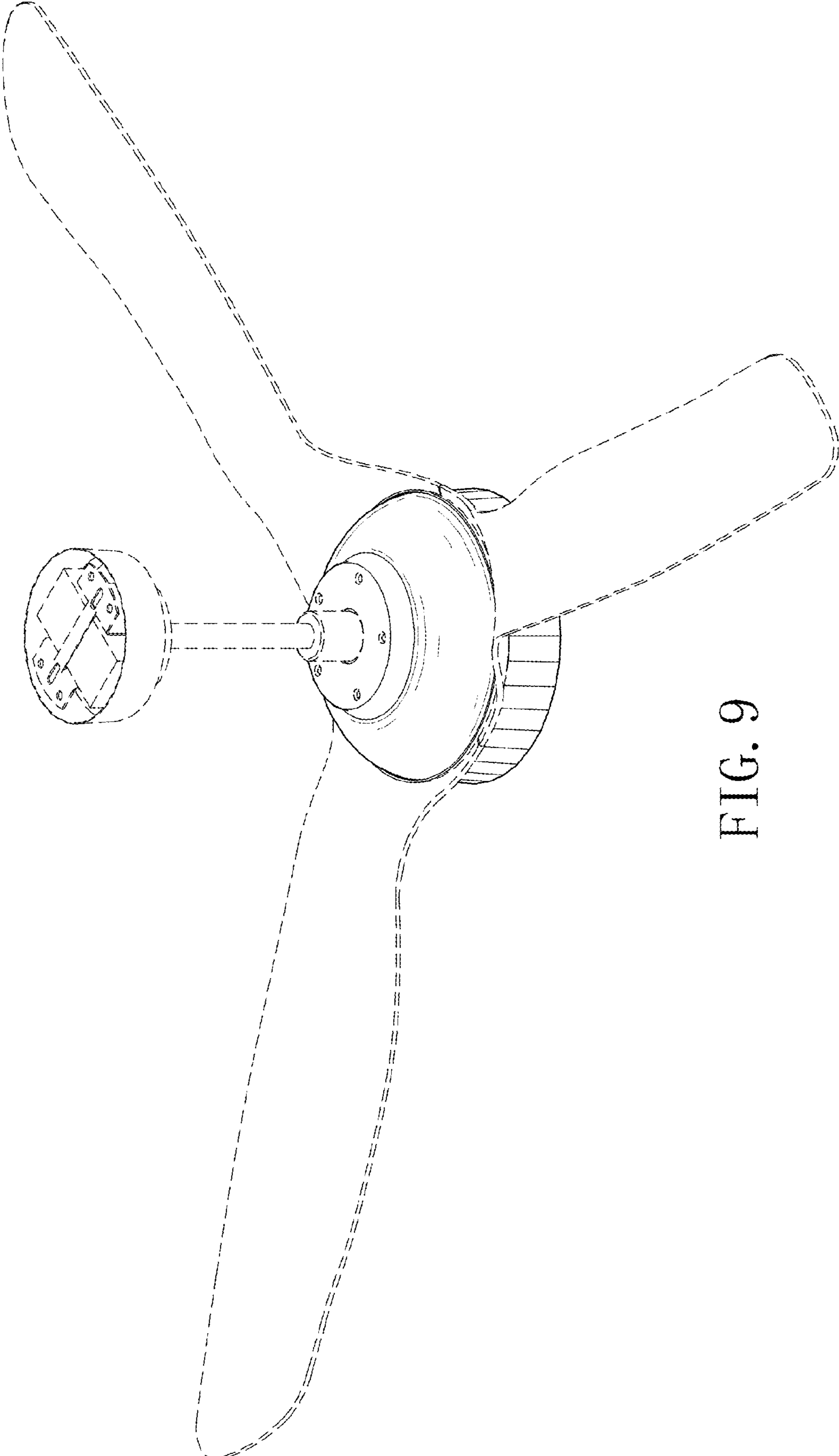


FIG. 9