



US00D929632S

(12) **United States Design Patent**
Wang

(10) **Patent No.:** **US D929,632 S**

(45) **Date of Patent:** **** Aug. 31, 2021**

(54) **CEILING FAN LIGHT KIT**

(71) Applicant: **AIR COOL INDUSTRIAL CO., LTD.**, Taichung (TW)

(72) Inventor: **Cliff Wang**, Taichung (TW)

(73) Assignee: **AIR COOL INDUSTRIAL CO., LTD.**, Taichung (TW)

(**) Term: **15 Years**

(21) Appl. No.: **29/670,619**

(22) Filed: **Nov. 18, 2018**

(51) **LOC (13) Cl.** **26-05**

(52) **U.S. Cl.**
USPC **D26/59**

(58) **Field of Classification Search**
USPC D23/370, 377, 411; D26/59
CPC F21V 33/0092; F24F 2221/02
See application file for complete search history.

(56) **References Cited**

U.S. PATENT DOCUMENTS

D393,710 S * 4/1998 Gee, II D23/377
D505,721 S * 5/2005 Pickett D23/411

D530,004 S * 10/2006 Curtin D23/411
D584,810 S * 1/2009 Pickett D23/411
D627,870 S * 11/2010 Wang D23/411
D744,081 S * 11/2015 Wang D23/411
D803,384 S * 11/2017 Wang D23/411
D810,270 S * 2/2018 Wang D23/411

* cited by examiner

Primary Examiner — Janice Hallmark

(74) *Attorney, Agent, or Firm* — Pai Patent & Trademark Law Firm; Chao-Chang David Pai

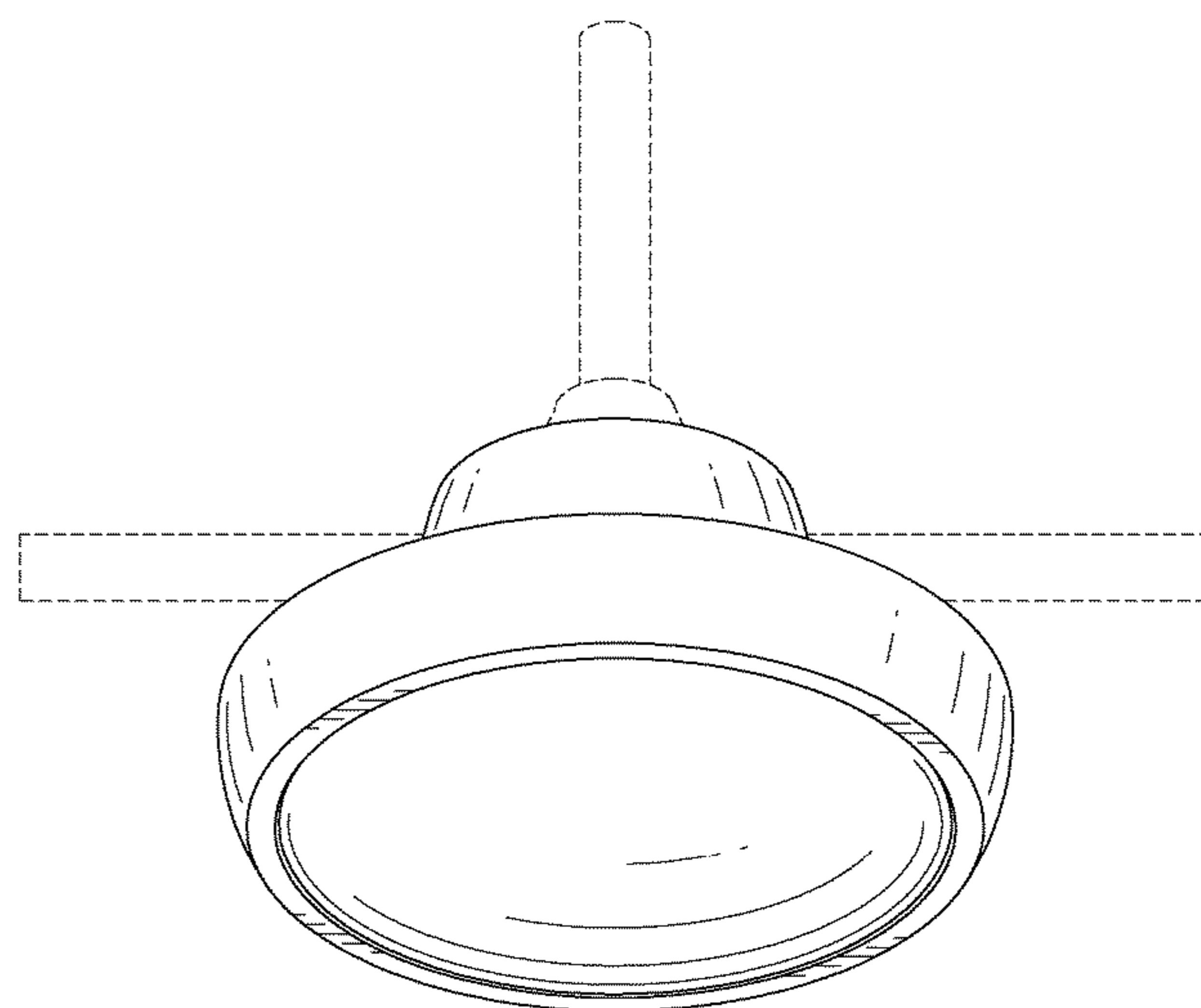
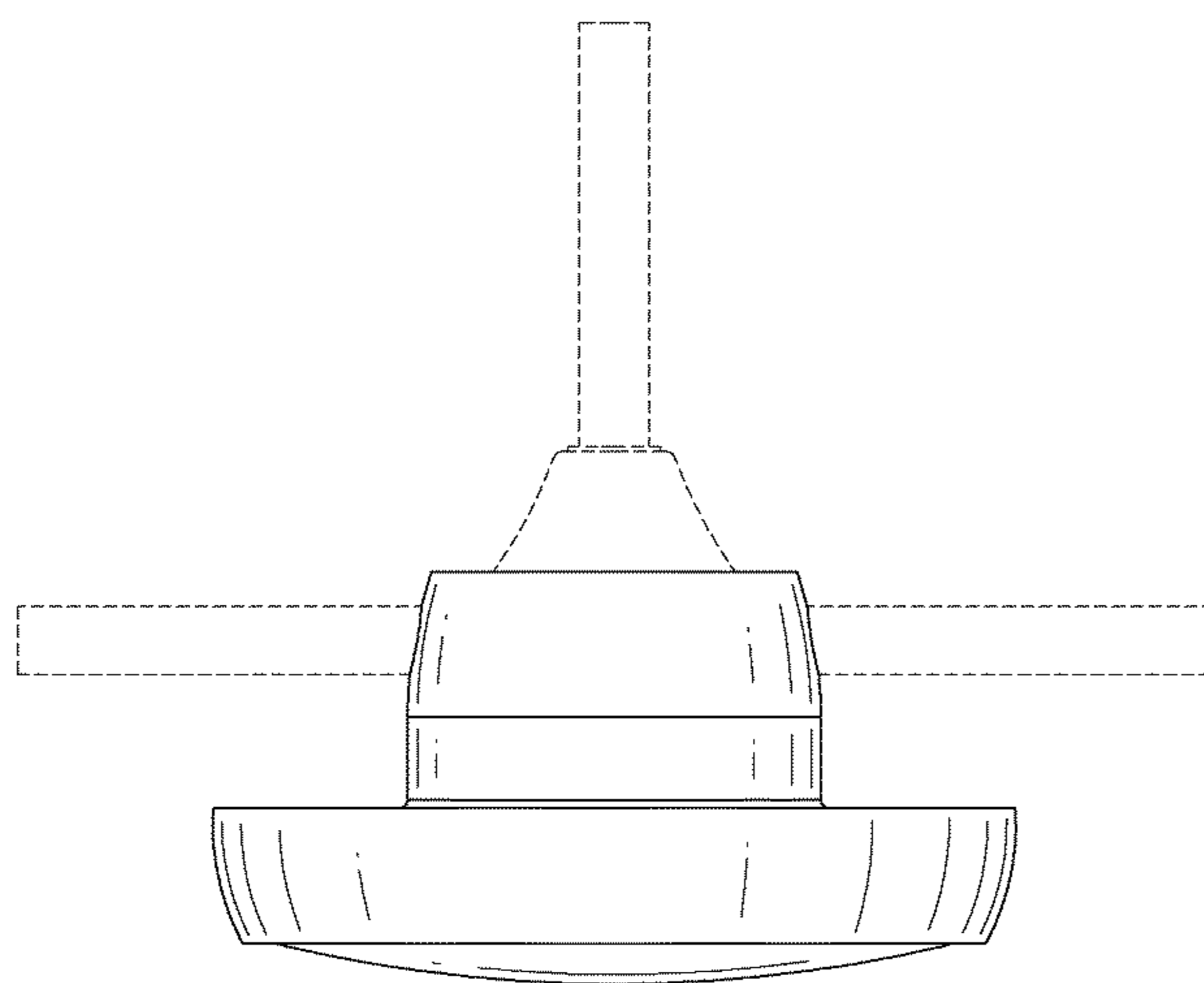
(57) **CLAIM**

The ornamental design for a ceiling fan light kit, as shown and described.

DESCRIPTION

FIG. 1 is a front top perspective view of a ceiling fan light kit showing my new design;
FIG. 2 is a front elevational view thereof;
FIG. 3 is a rear elevational view thereof;
FIG. 4 is a left side elevational view thereof;
FIG. 5 is a right side elevational view thereof;
FIG. 6 is a top plan view thereof;
FIG. 7 is a bottom plan view thereof; and,
FIG. 8 is a front bottom perspective view thereof.
The broken lines illustrate portions of the ceiling fan light kit and form no part of the claimed design.

1 Claim, 8 Drawing Sheets



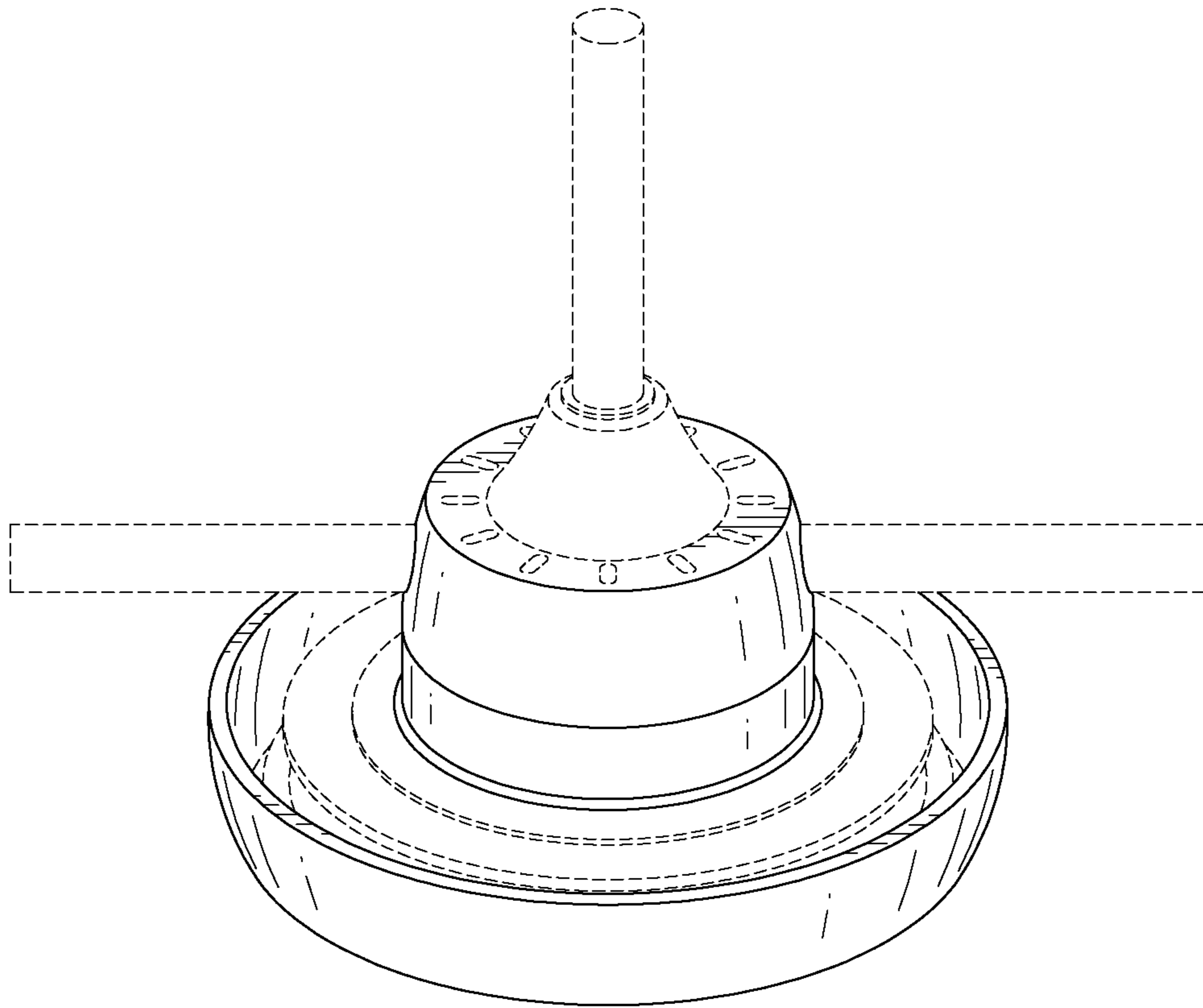


FIG. 1

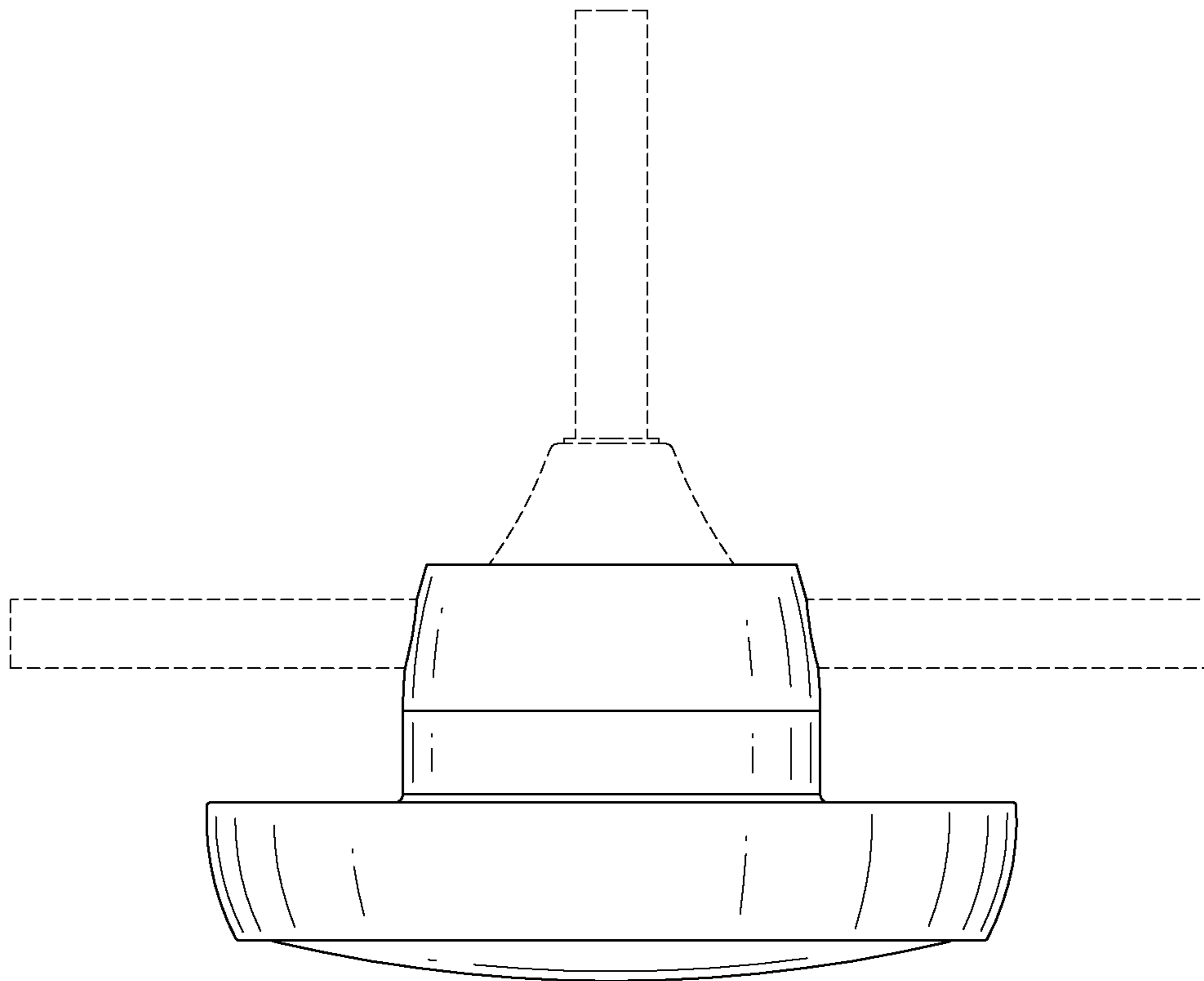


FIG. 2

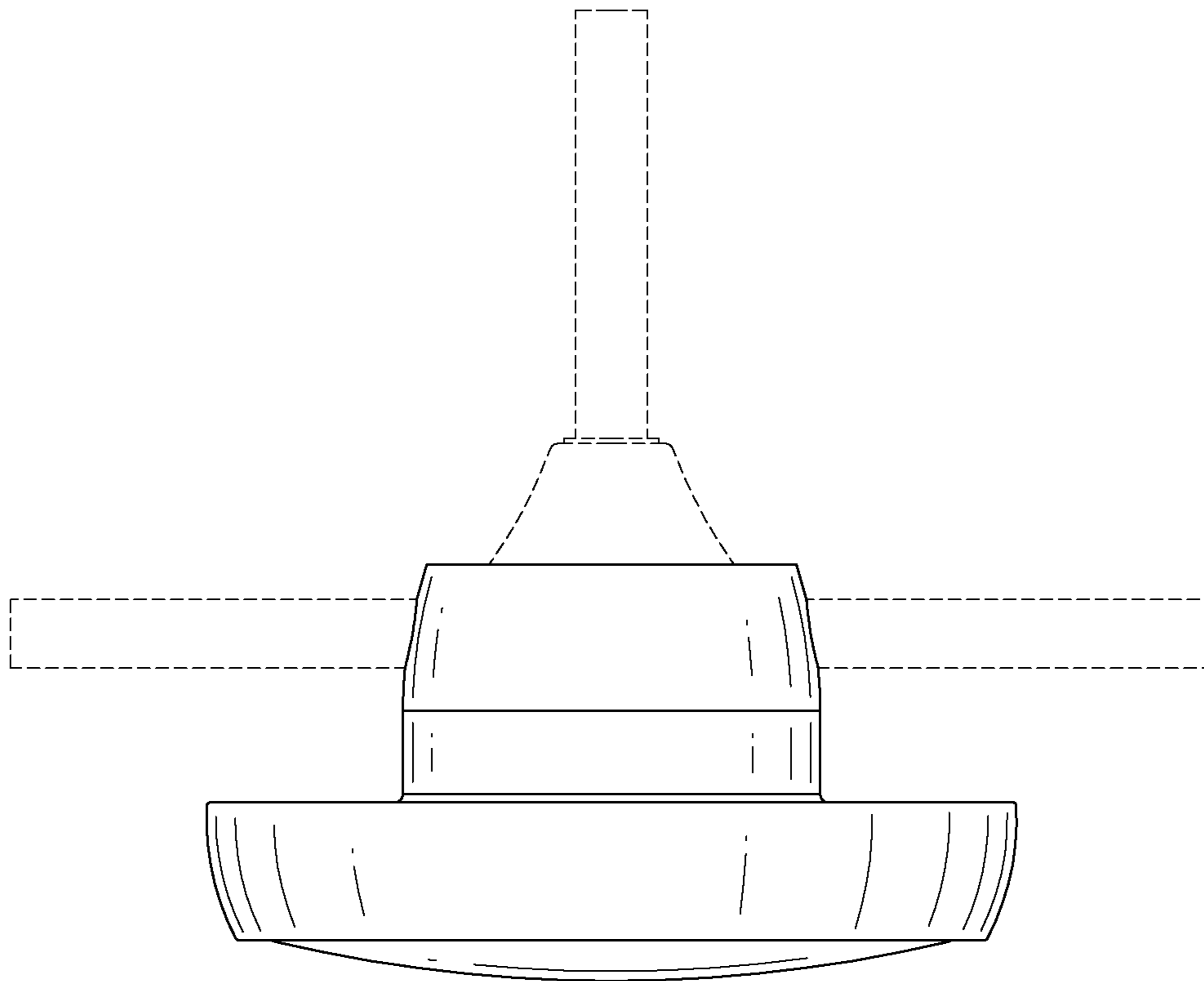


FIG. 3

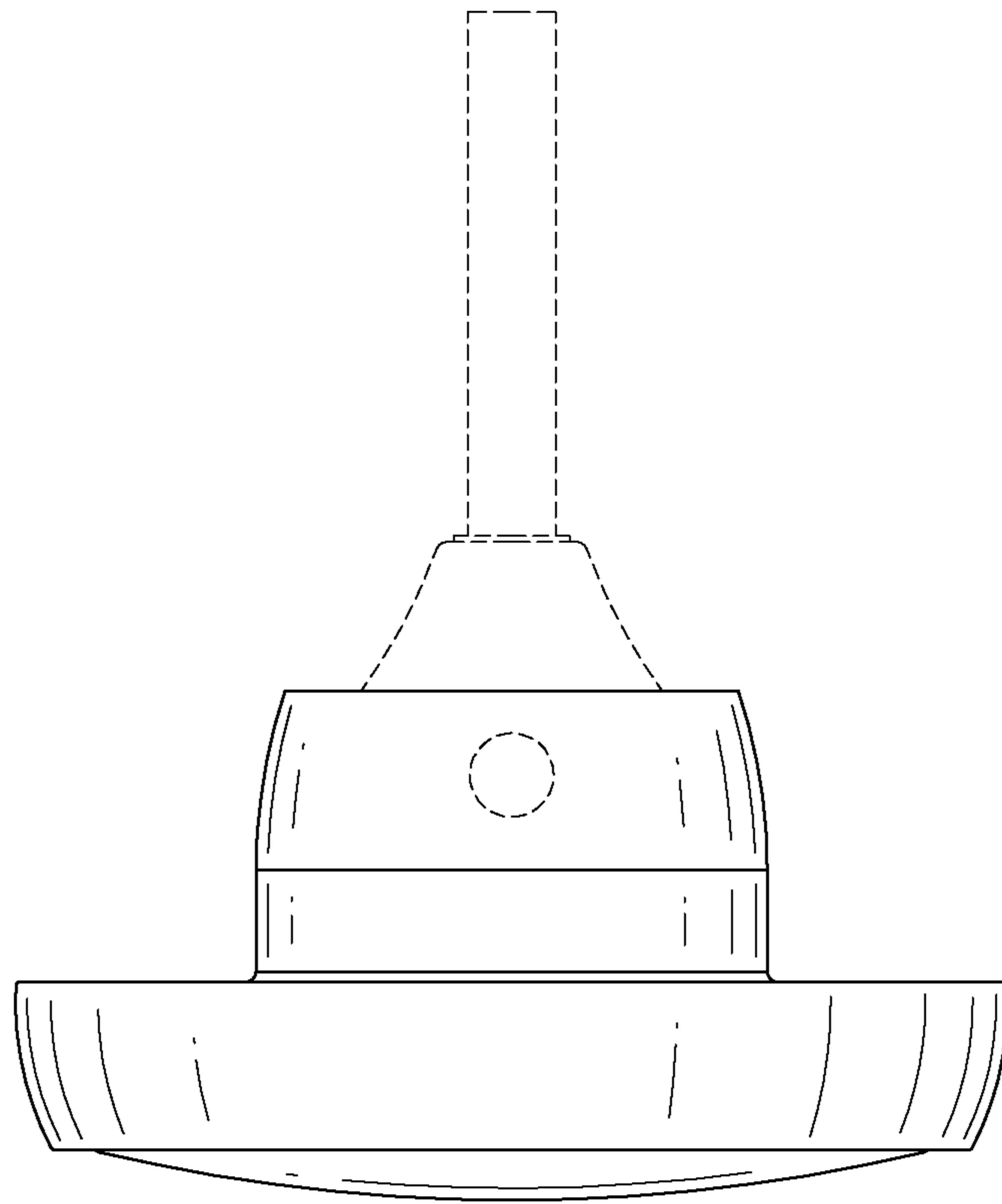


FIG. 4

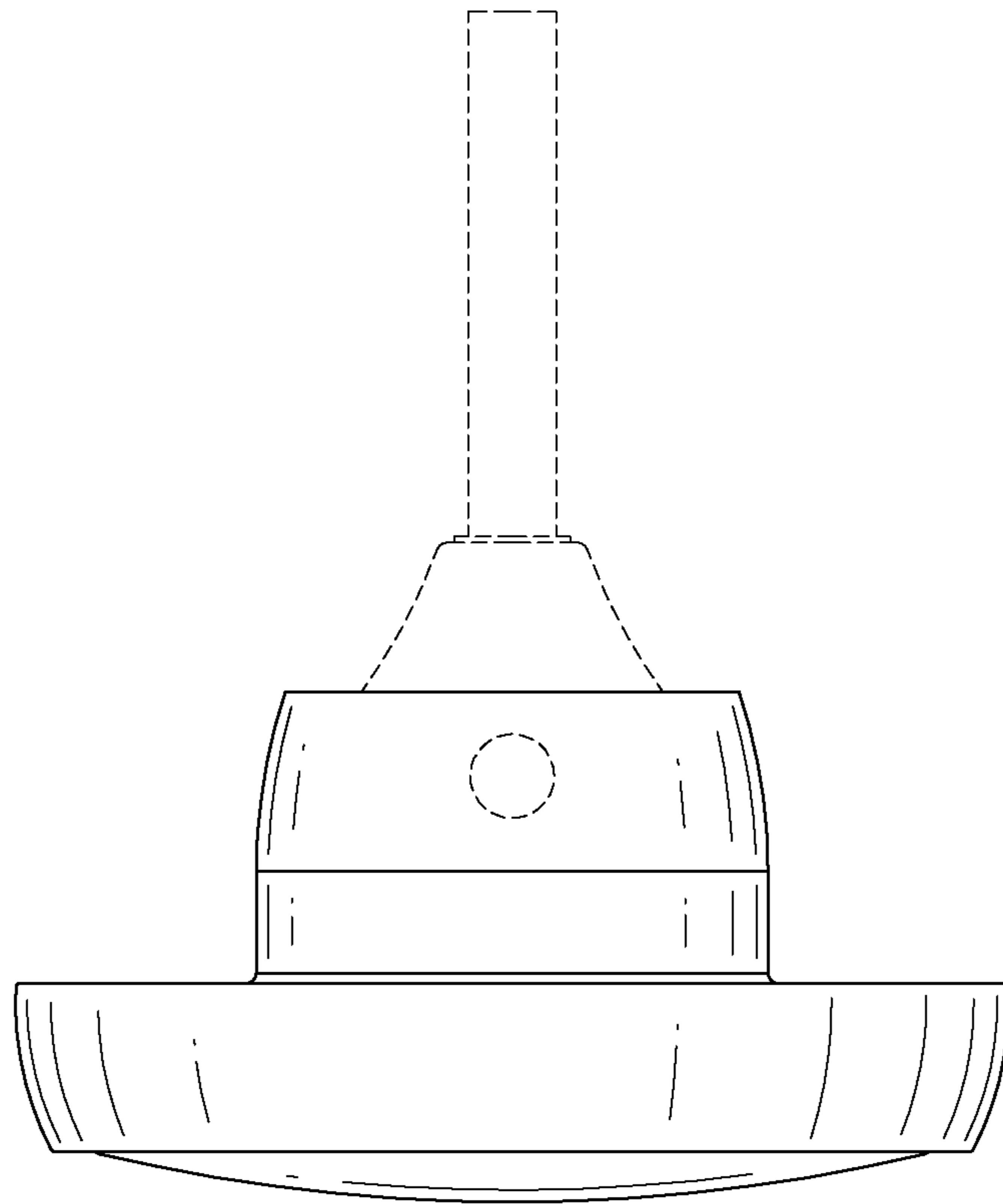


FIG. 5

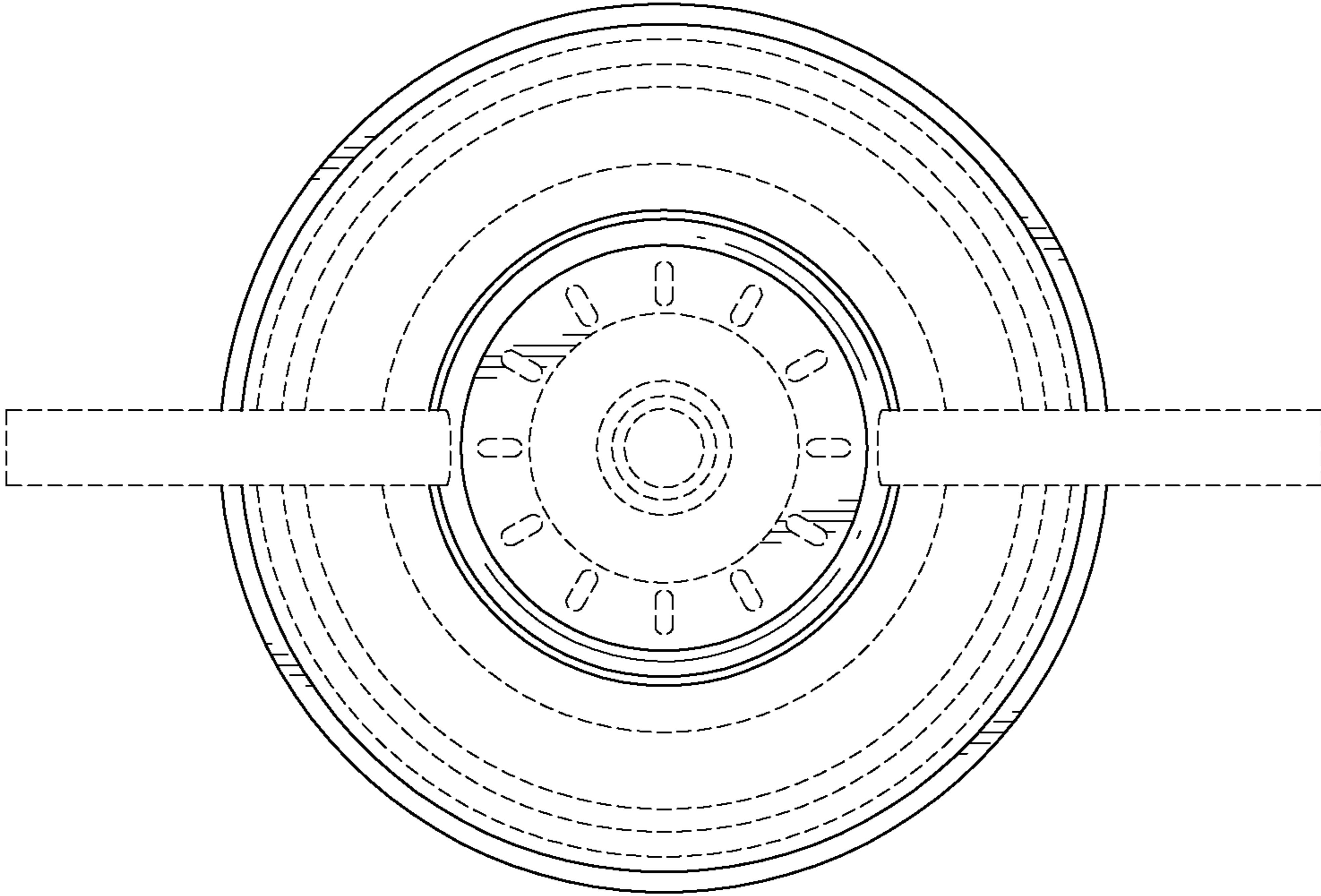


FIG. 6

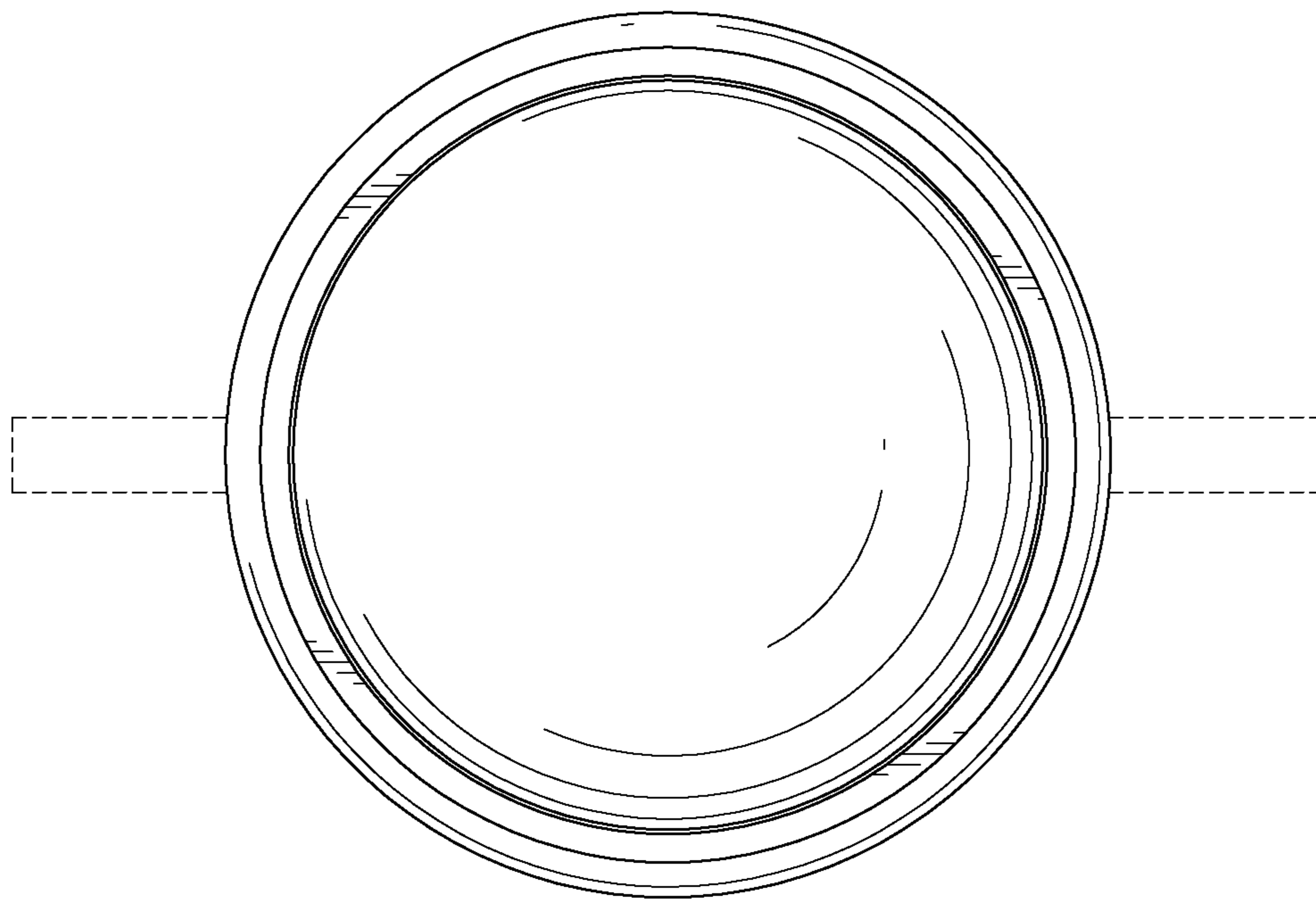


FIG. 7

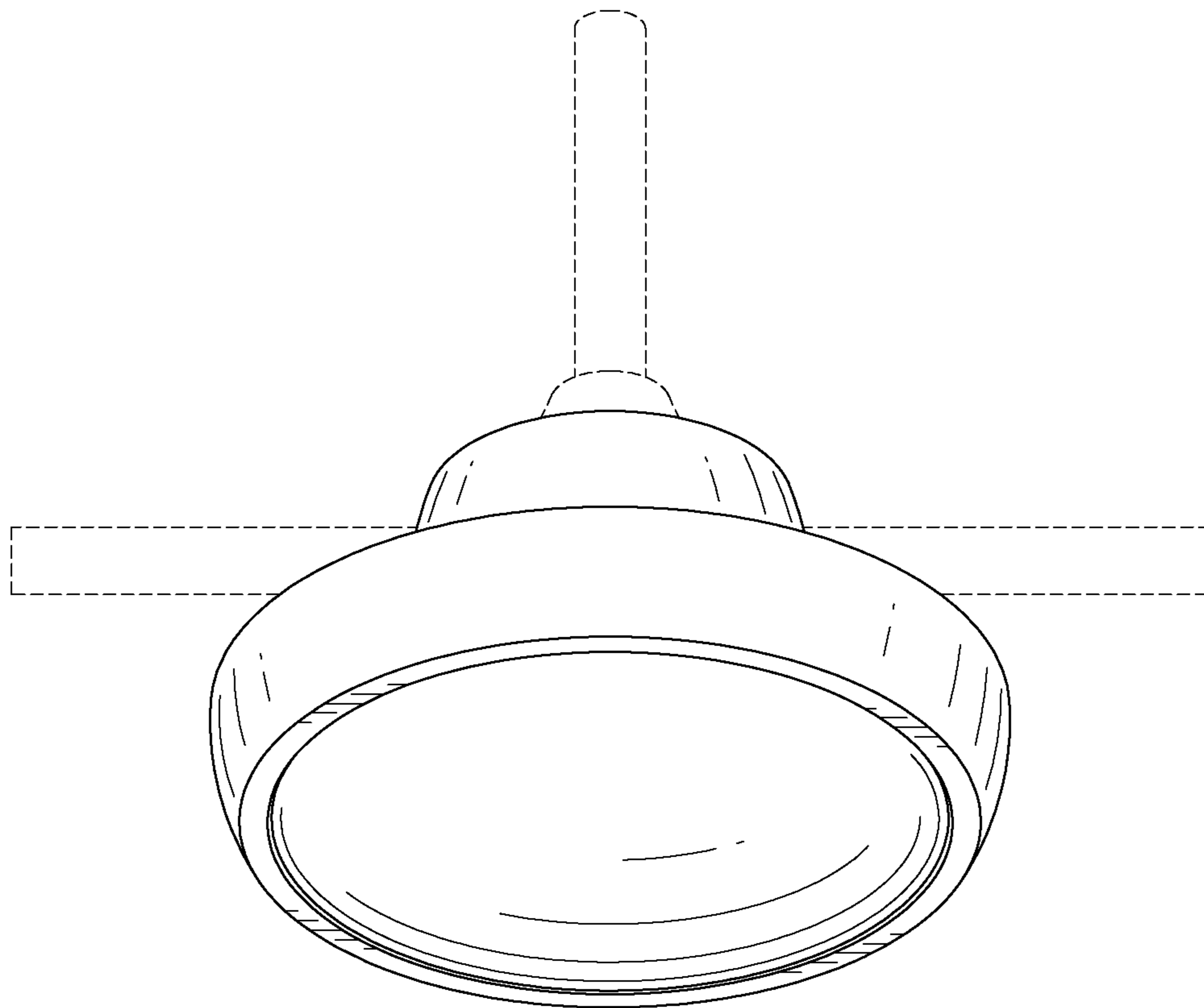


FIG. 8