



US00D929631S

(12) **United States Design Patent**
Tong

(10) **Patent No.:** **US D929,631 S**

(45) **Date of Patent:** **** Aug. 31, 2021**

(54) **SPEAKER LAMP**

(71) Applicant: **Shenzhen Highstar Electrical Co., Ltd.**, Guangdong (CN)

(72) Inventor: **Guoming Tong**, Guangdong (CN)

(73) Assignee: **Shenzhen Highstar Electrical Co., Ltd.**, Shenzhen (CN)

(**) Term: **15 Years**

(21) Appl. No.: **29/649,696**

(22) Filed: **May 31, 2018**

(51) **LOC (13) Cl.** **26-05**

(52) **U.S. Cl.**
USPC **D26/51**

(58) **Field of Classification Search**
USPC D26/37-51, 60-62; D14/204, 215, 216, D14/209.1
CPC F21L 2003/00; F21L 4/005; F21L 4/025; F21L 4/027; F21L 4/04; F21L 4/08; F21L 13/00; F21L 13/08; F21L 14/02; F21L 19/00; F21L 2/00; F21L 4/00-4/085; F21L 15/00-15/14; F21L 2001/00; F21L 2005/00; F21L 25/00; H04R 1/2807; H04R 1/281

See application file for complete search history.

(56) **References Cited**

U.S. PATENT DOCUMENTS

D544,124 S *	6/2007	Chan	D26/43
D648,883 S *	11/2011	Levine	D26/60
D671,665 S *	11/2012	Mish	D26/60
D732,217 S *	6/2015	Wiedenmann	D26/60
D737,492 S *	8/2015	Li	D26/60
D754,382 S *	4/2016	van Oord	D26/61
D788,961 S *	6/2017	Edgar	D26/60
D824,062 S *	7/2018	Qiu	D26/60
D824,580 S *	7/2018	Hu	D26/107
D838,886 S *	1/2019	Chen	D26/52
D850,686 S *	6/2019	Wang	D26/60

D861,219 S *	9/2019	Shengbiao	D26/60
D861,944 S *	10/2019	Wu	D26/60
D870,942 S *	12/2019	Yang	D26/60
D881,444 S *	4/2020	Blechner	D26/118

(Continued)

OTHER PUBLICATIONS

Bostitch bluetooth speaker lamp, [online] [site visited Sep. 6, 2020], Available from the internet, <https://www.amazon.com/Bostitch-Office-VLED1817WHITE-BOS-Bluetooth-Speaker/dp/B07JPB2KNN/ref=pd_rhf_se_p_img_1?_encoding=UTF8&psc=1&refRID=PKVJJ67C6ADVPZ3Q21YA>, 10 pgs (Year: 2019).*

Primary Examiner — Michelle E. Wilson

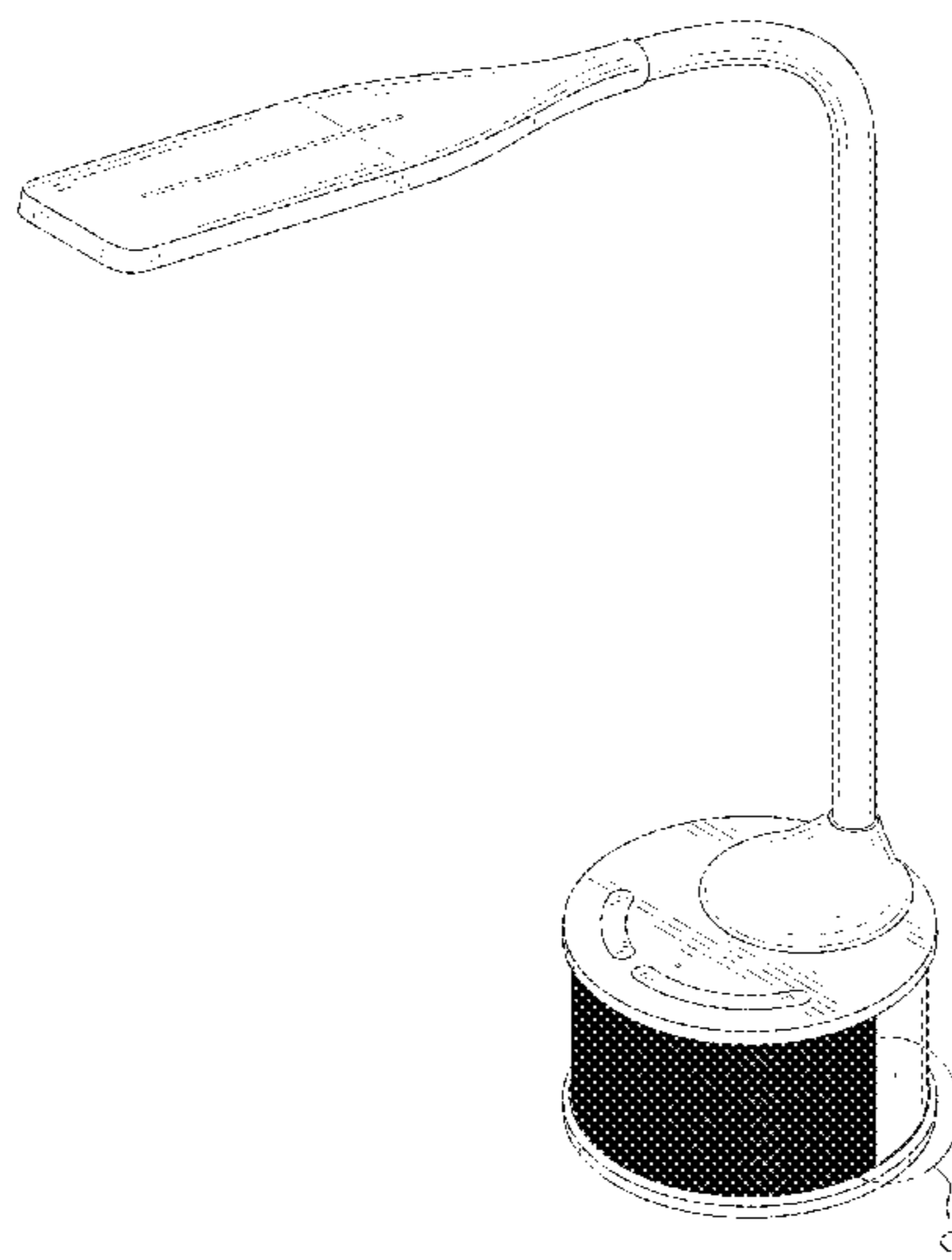
(57) **CLAIM**

The ornamental design for a speaker lamp, as shown and described.

DESCRIPTION

FIG. 1 is a top, front and right side perspective view of a speaker lamp showing my new design; FIG. 2 is a bottom, rear and left side perspective view thereof; FIG. 3 is a front elevational view thereof; FIG. 4 is a rear elevational view thereof; FIG. 5 is a left side view thereof; FIG. 6 is a right side view thereof; FIG. 7 is a top plan view thereof; FIG. 8 is a bottom plan view thereof; FIG. 9 is an enlarged view of portion 9 in FIG. 1; and, FIG. 10 is an enlarged view of portion 10 in FIG. 2. The dash-dash broken lines in the drawings illustrate portions of the speaker lamp which form no part of the claimed design. The dot-dash broken lines in FIGS. 1, 2, 9 and 10 illustrate boundaries of the enlarged portions which form no part of the claimed design. The oblique shade lines in the drawings represent reflective surfaces.

1 Claim, 10 Drawing Sheets



(56)

References Cited

U.S. PATENT DOCUMENTS

D882,155 S * 4/2020 Blechner D26/118
D882,858 S * 4/2020 Sun D26/107
D887,054 S * 6/2020 Zhang D26/44

* cited by examiner

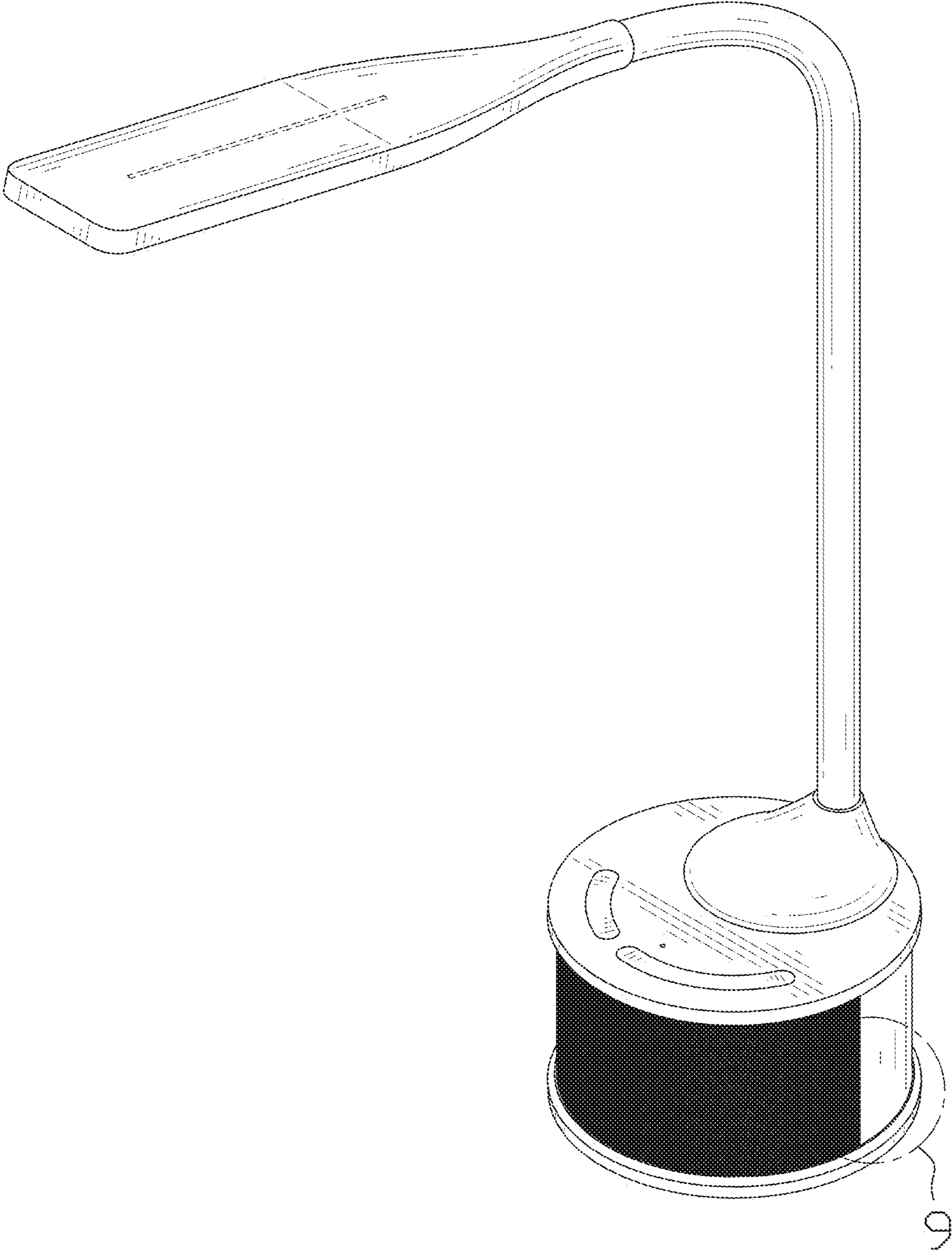


FIG. 1

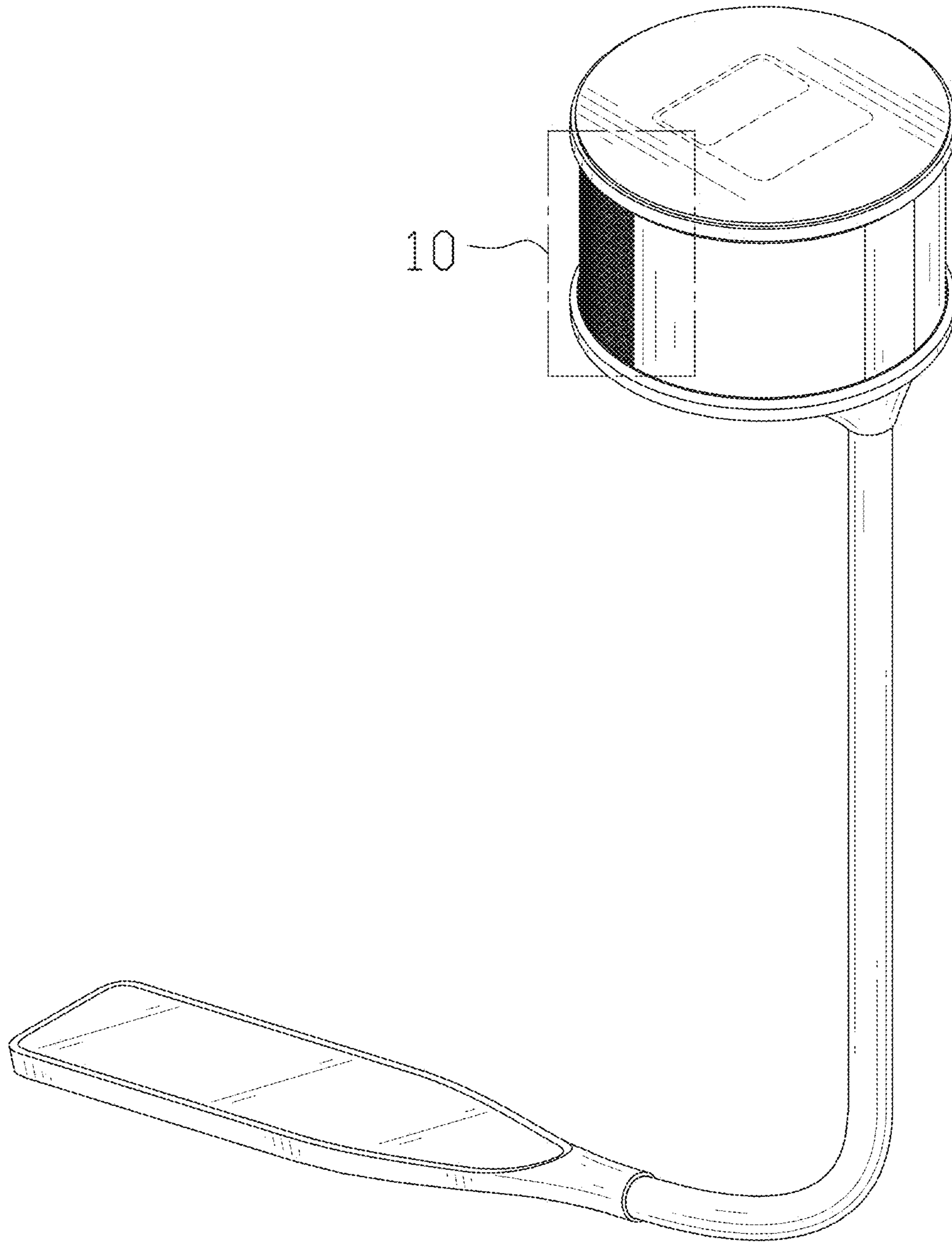


FIG. 2

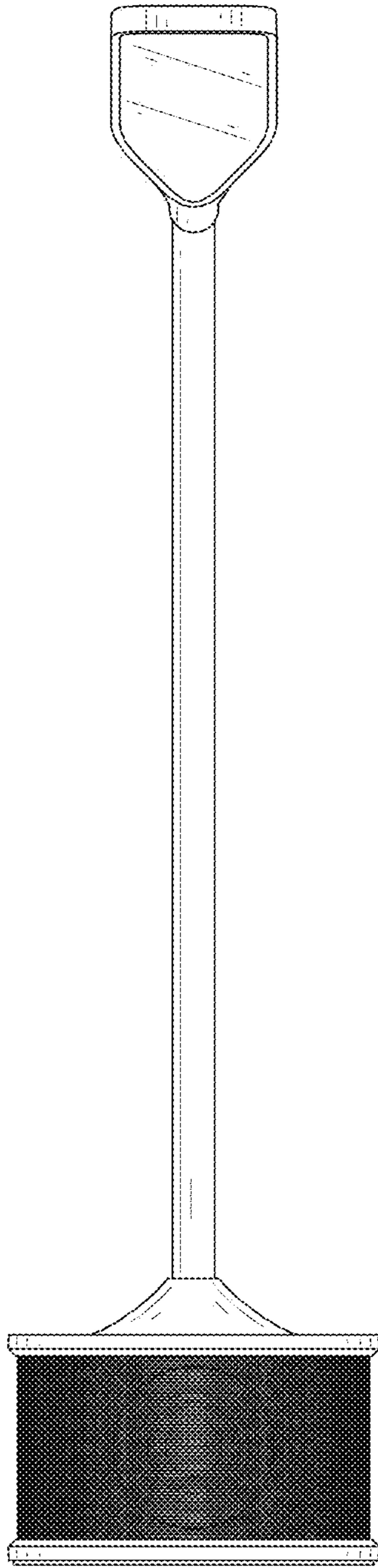


FIG. 3

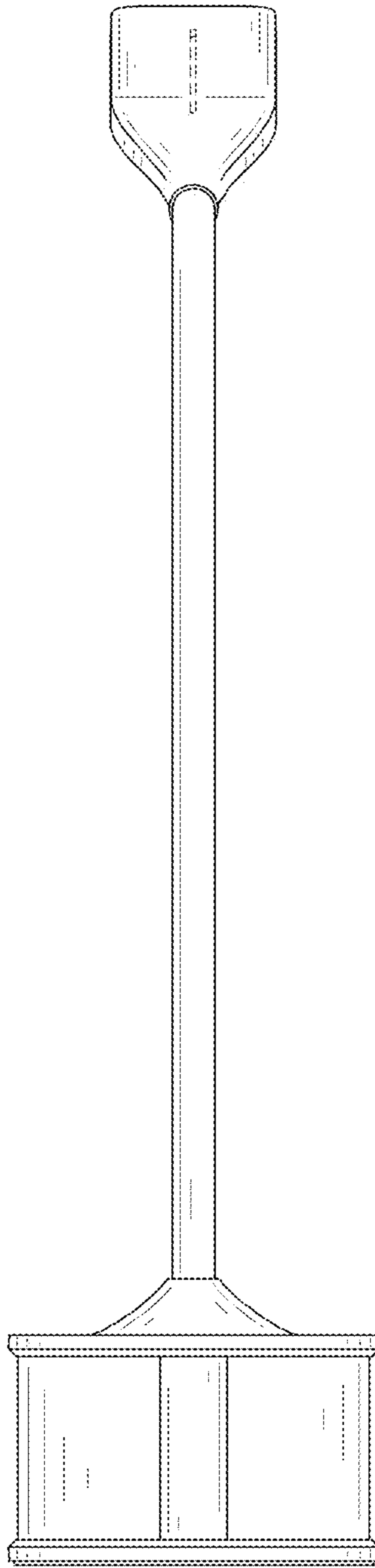


FIG. 4

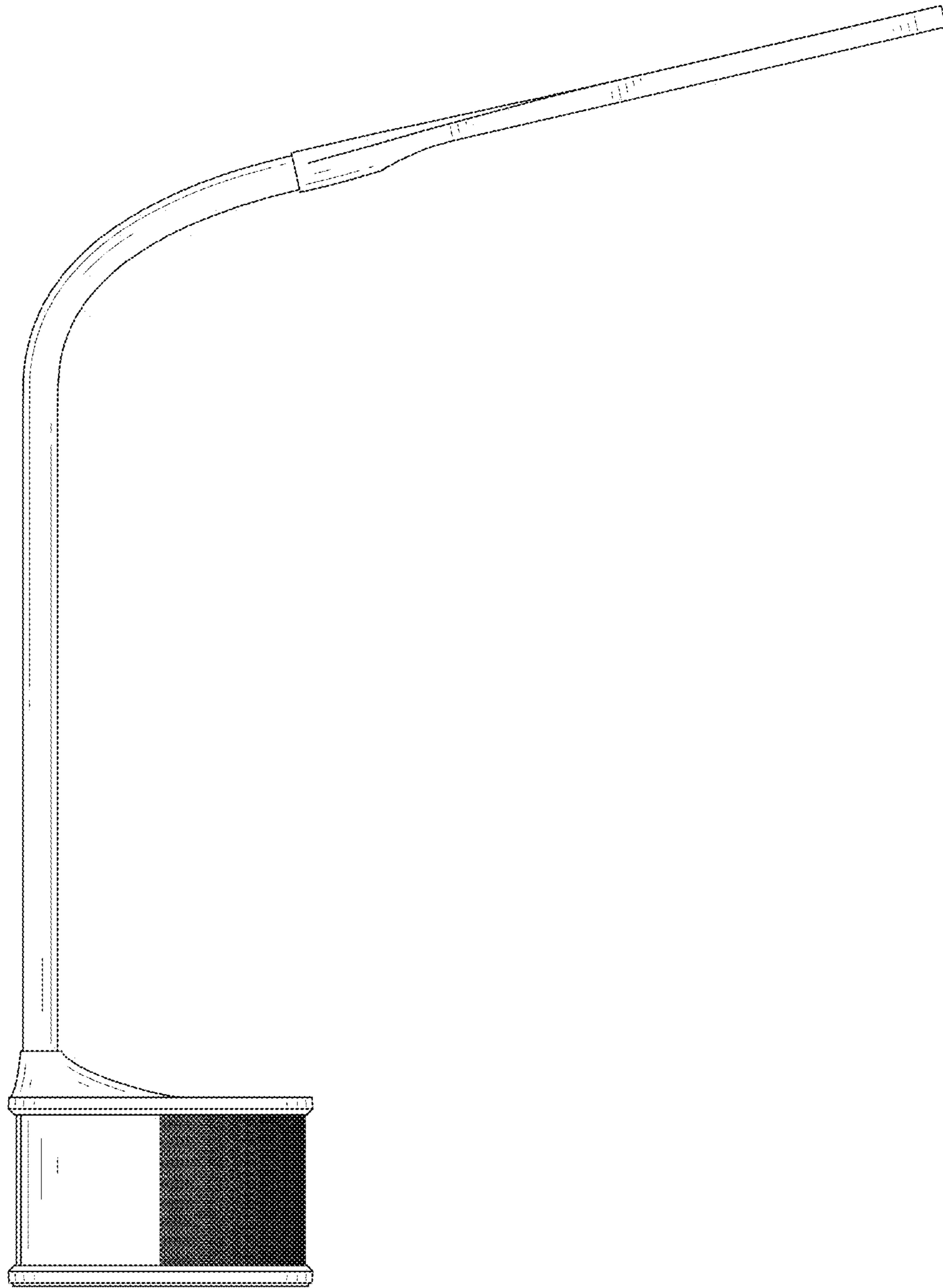


FIG. 5

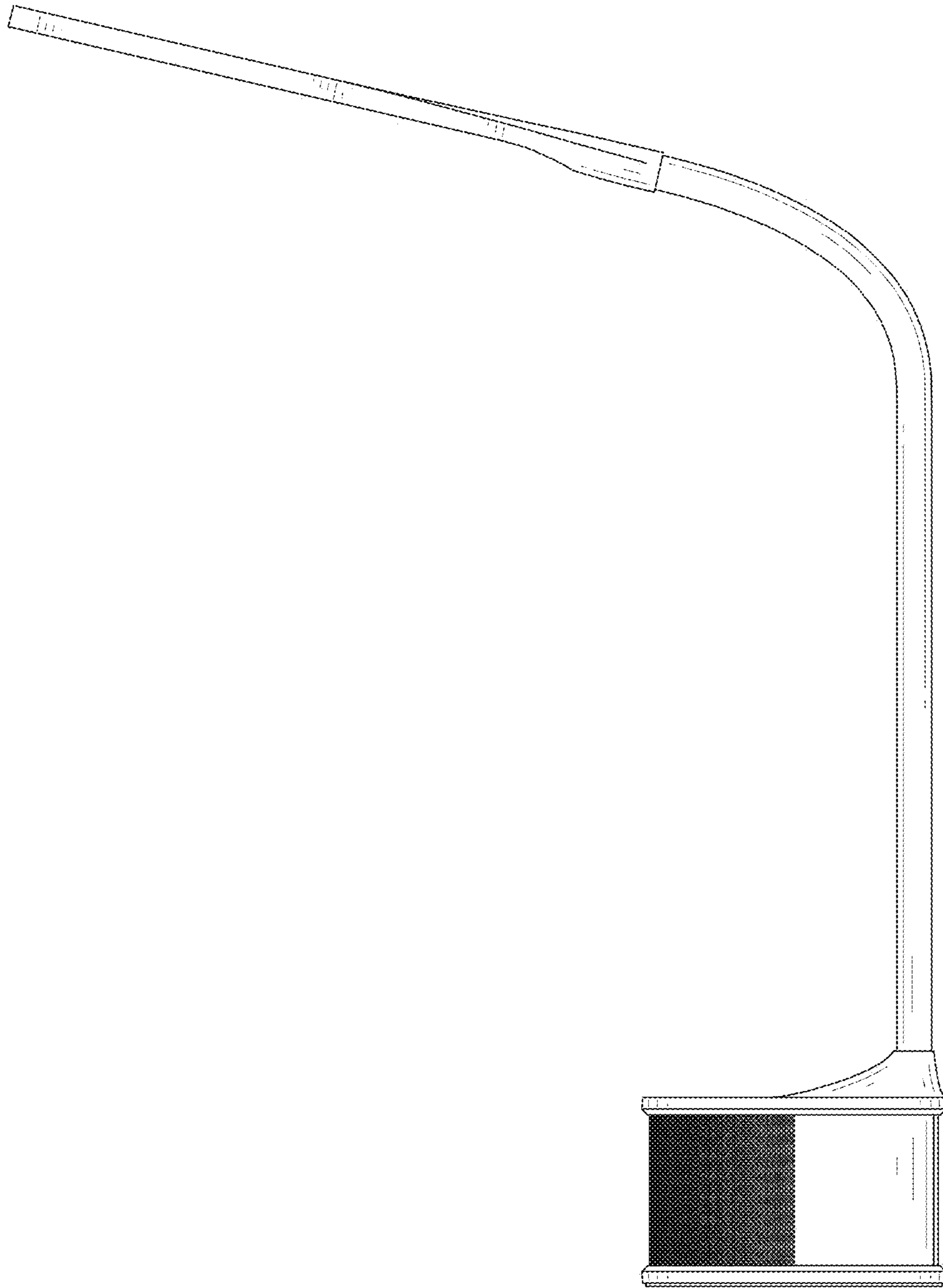


FIG. 6

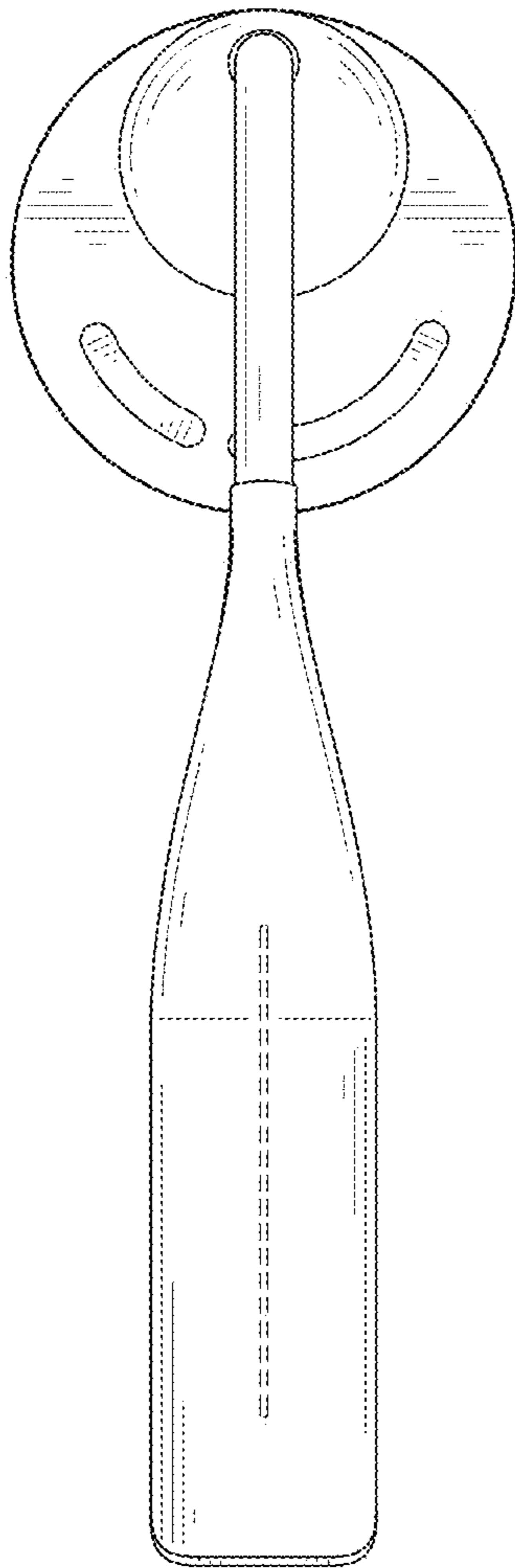


FIG. 7

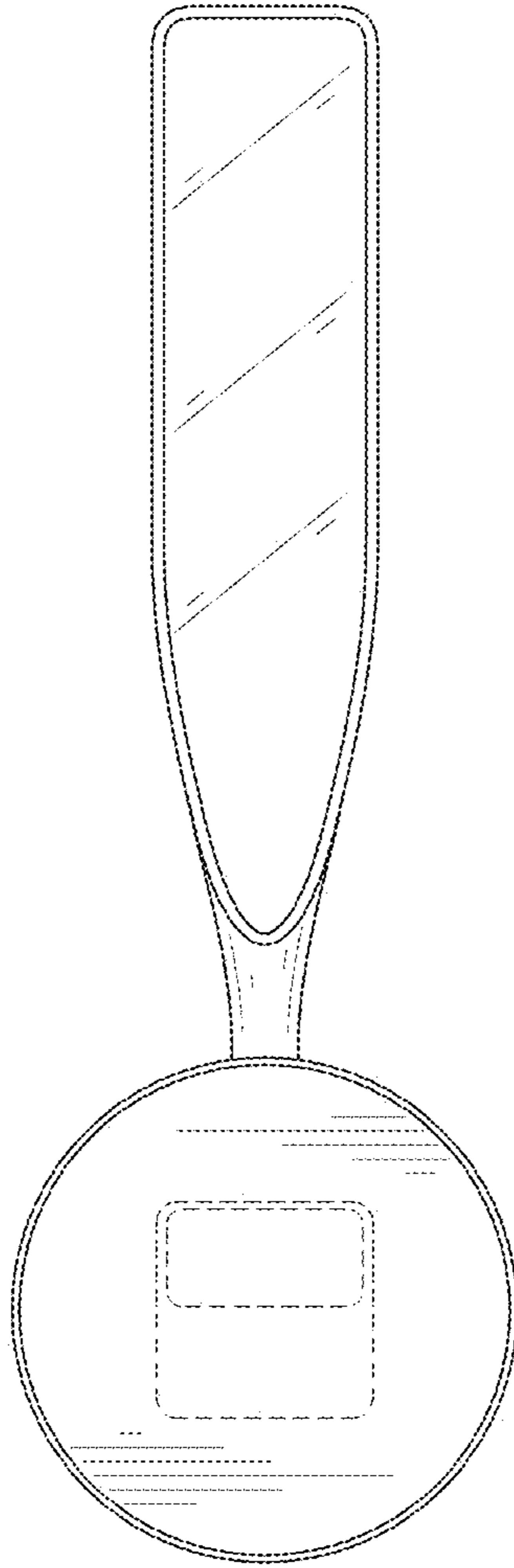


FIG. 8

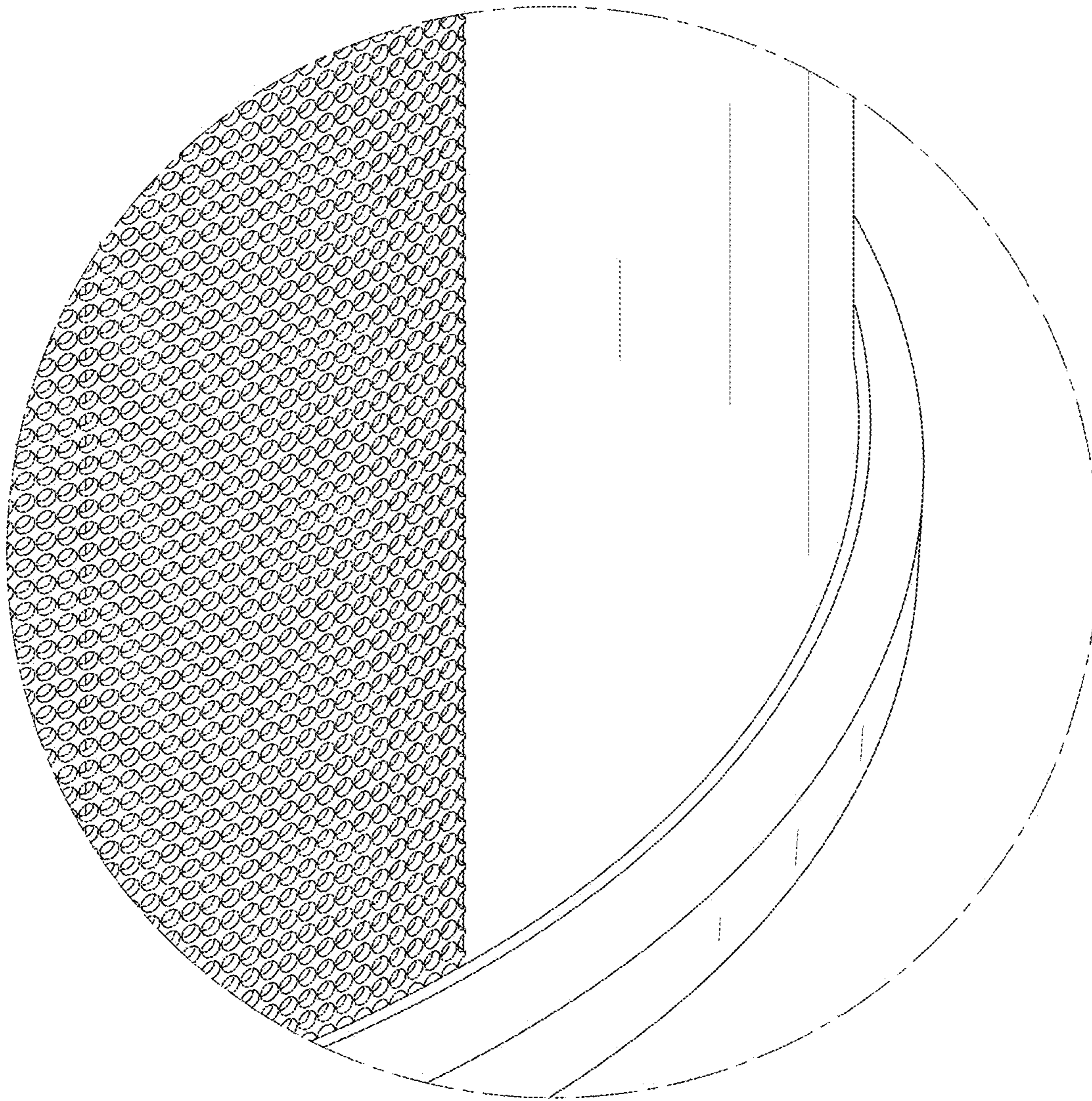


FIG. 9

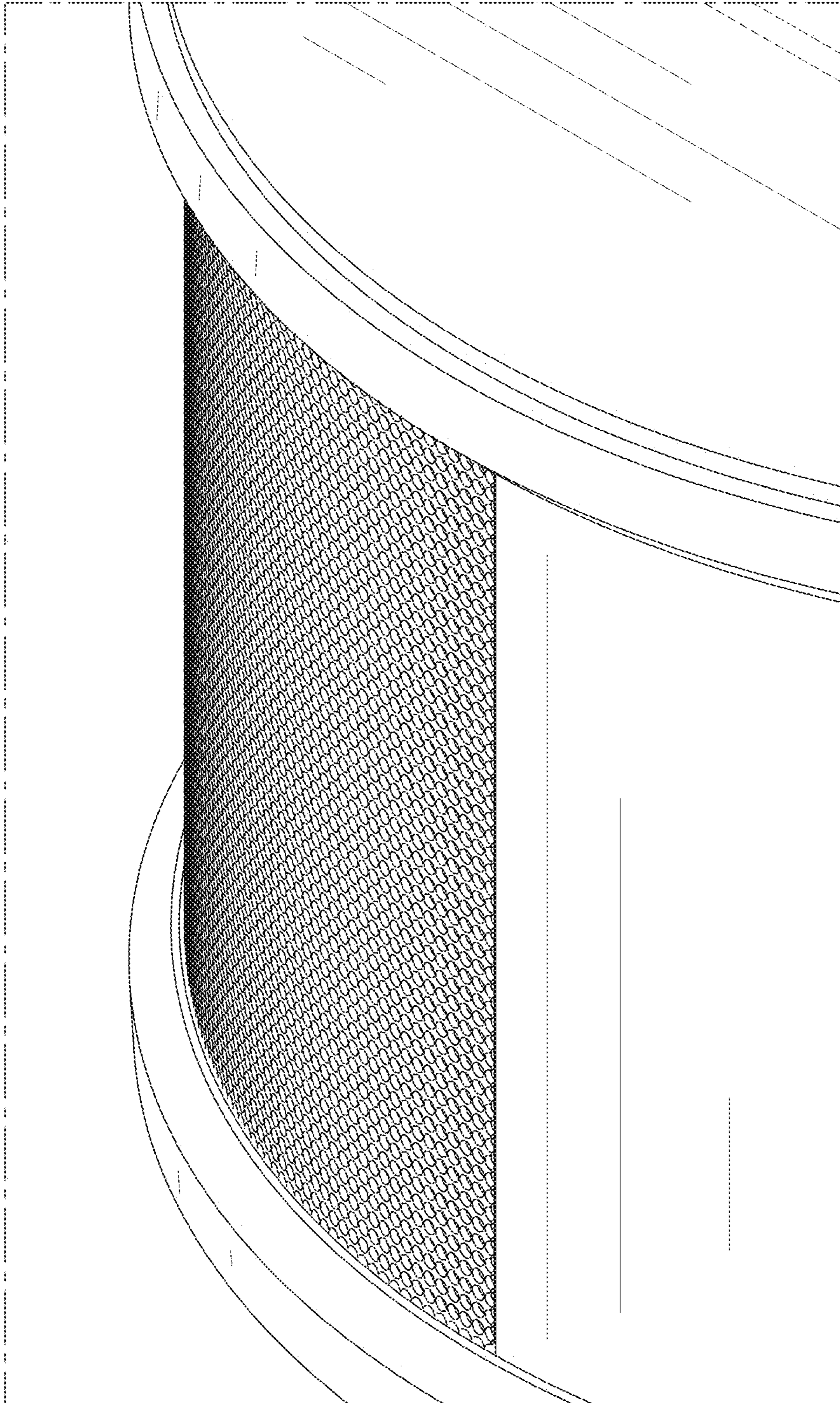


FIG. 10