



US00D929630S

(12) **United States Design Patent**
Windom et al.

(10) **Patent No.:** **US D929,630 S**

(45) **Date of Patent:** **** Aug. 31, 2021**

(54) **FLASHLIGHT**

(71) Applicant: **Coast Cutlery Co.**, Portland, OR (US)

(72) Inventors: **Gregory David Windom**, Portland, OR (US); **David D. Lewin**, Portland, OR (US); **Kam Fu Choo**, Vancouver (CA)

(73) Assignee: **Coast Cutlery Co.**, Portland, OR (US)

(**) Term: **15 Years**

(21) Appl. No.: **29/641,978**

(22) Filed: **Mar. 26, 2018**

(51) **LOC (13) Cl.** **26-02**

(52) **U.S. Cl.**
USPC **D26/49**

(58) **Field of Classification Search**
USPC D26/37-51
CPC F21L 2003/00; F21L 4/005; F21L 4/025;
F21L 4/027; F21L 4/04; F21L 4/08; F21L
13/00; F21L 13/08; F21L 14/02; F21L
19/00; F21L 2/00; F21L 4/00-4/085;
F21L 15/00-15/14; F21L 2001/00; F21L
2005/00; F21L 25/00

See application file for complete search history.

(56) **References Cited**

U.S. PATENT DOCUMENTS

D368,147 S *	3/1996	Bamber	D26/49
D583,087 S *	12/2008	Opolka	D26/49
D601,287 S *	9/2009	Caniparoli	D26/49
D675,357 S *	1/2013	Shi	D26/49
D675,358 S *	1/2013	Brands	D26/49
D683,877 S *	6/2013	Brands	D26/49
D738,021 S *	9/2015	Wang	D26/49
D747,024 S *	1/2016	Windom	D26/49
D770,071 S *	10/2016	Windom	D26/49
D783,193 S *	4/2017	Kao	D26/49
D794,237 S *	8/2017	Christensen	D26/49
D828,940 S *	9/2018	Qiu	D26/49
D871,639 S *	12/2019	Prieto	D26/49

* cited by examiner

Primary Examiner — Michelle E. Wilson

(74) *Attorney, Agent, or Firm* — Schwabe Williamson & Wyatt, P.C.

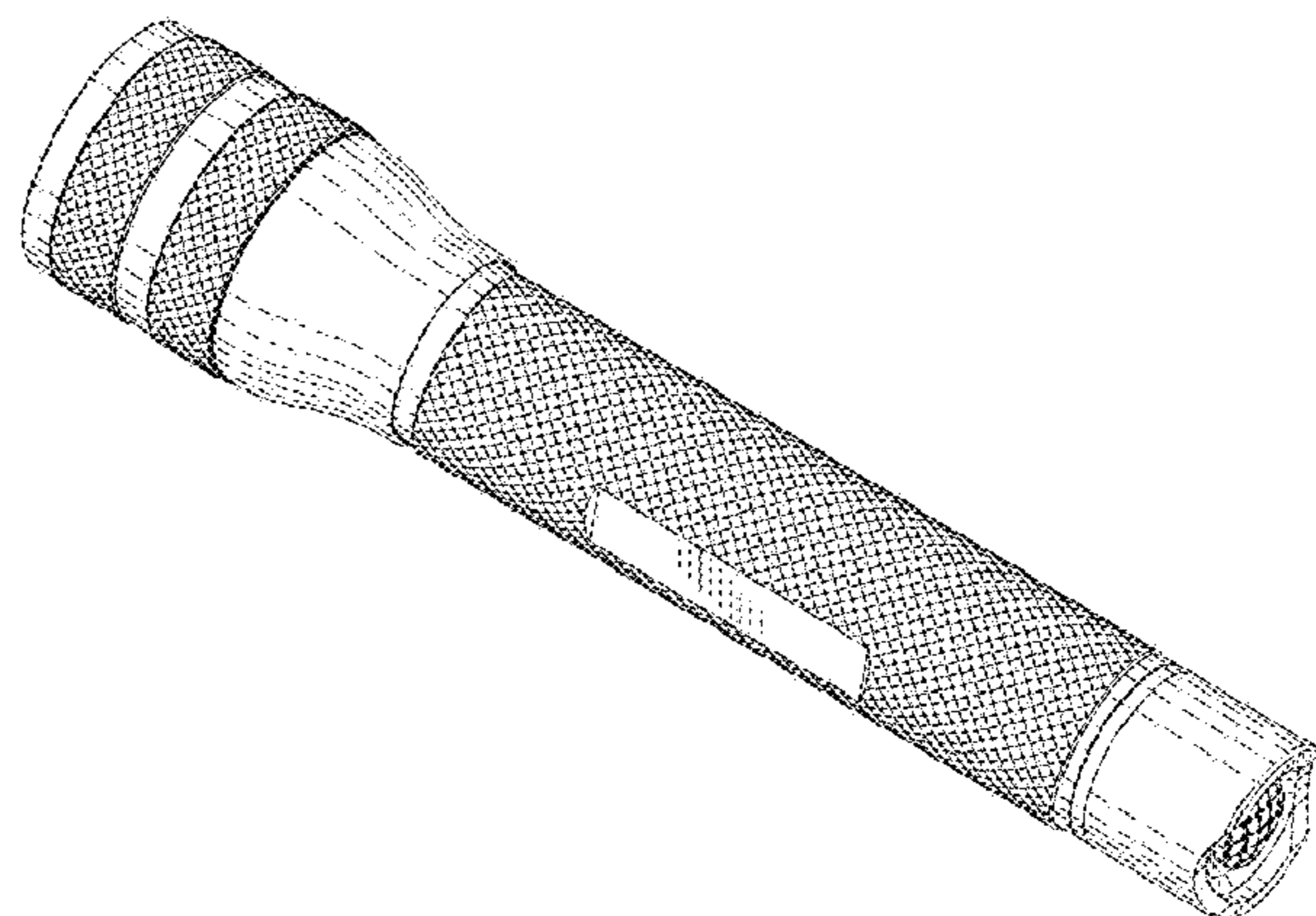
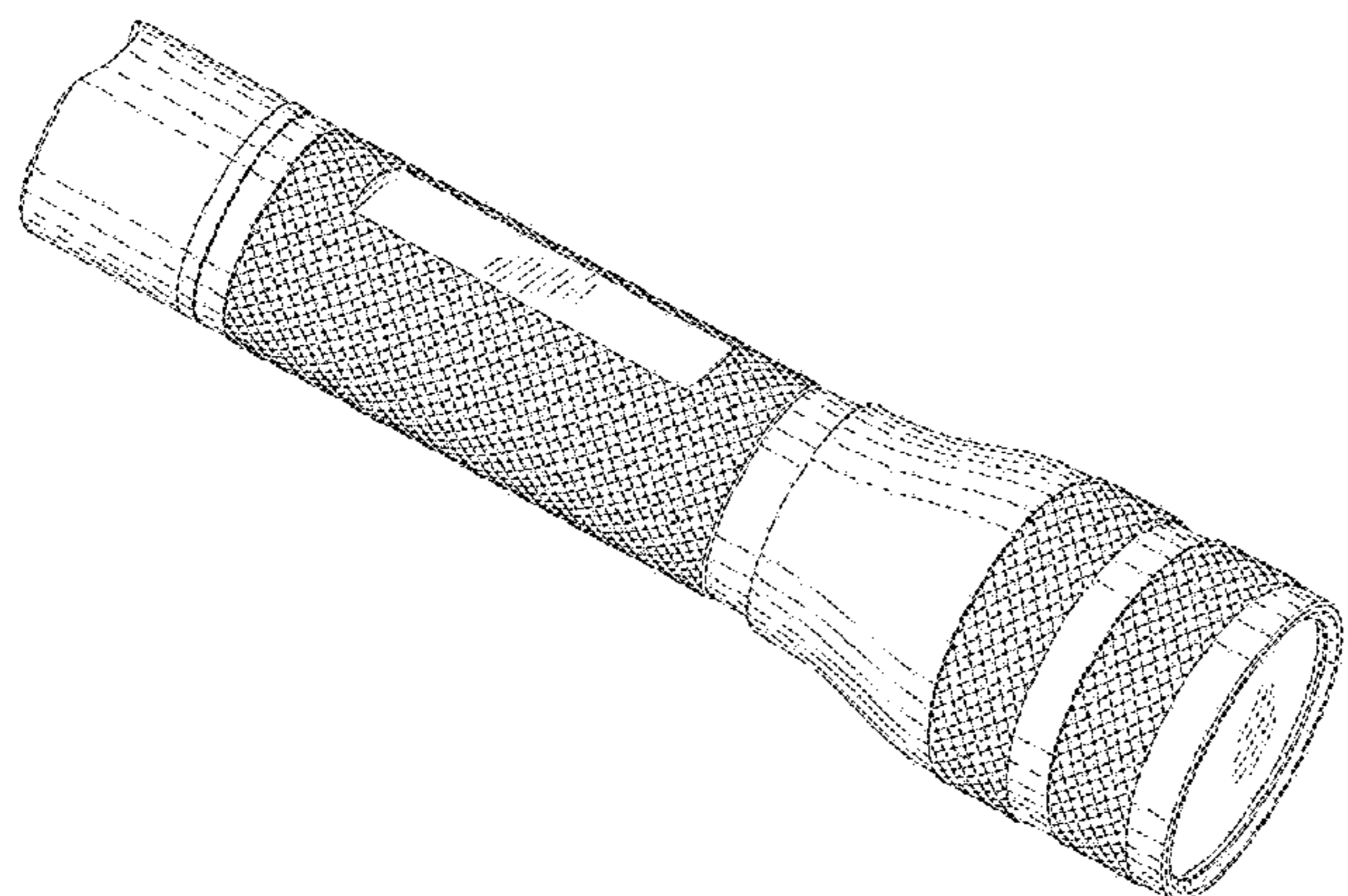
(57) **CLAIM**

We claim the ornamental design for a flashlight, as shown and described.

DESCRIPTION

FIG. 1 is a perspective view of a first embodiment taken from a front angle;
 FIG. 2 is a perspective view of the first embodiment taken from a rear angle;
 FIG. 3 is an end elevation view taken from the front of the first embodiment;
 FIG. 4 is an end elevation view taken from the rear of the first embodiment;
 FIG. 5 is a top plan view of the first embodiment;
 FIG. 6 is a bottom view of the first embodiment;
 FIG. 7 is a side elevation view of the first embodiment taken from the right side;
 FIG. 8 is a side elevation view of the first embodiment taken from the left side;
 FIG. 9 is a perspective view of a second embodiment taken from a front angle;
 FIG. 10 is a perspective view of the second embodiment taken from a rear angle;
 FIG. 11 is an end elevation view taken from the front of the second embodiment;
 FIG. 12 is an end elevation view taken from the rear of the second embodiment;
 FIG. 13 is a top plan view of the second embodiment;
 FIG. 14 is a bottom view of the second embodiment;
 FIG. 15 is a side elevation view of the second embodiment taken from the right side; and,
 FIG. 16 is a side elevation view of the second embodiment taken from the left side.

1 Claim, 4 Drawing Sheets



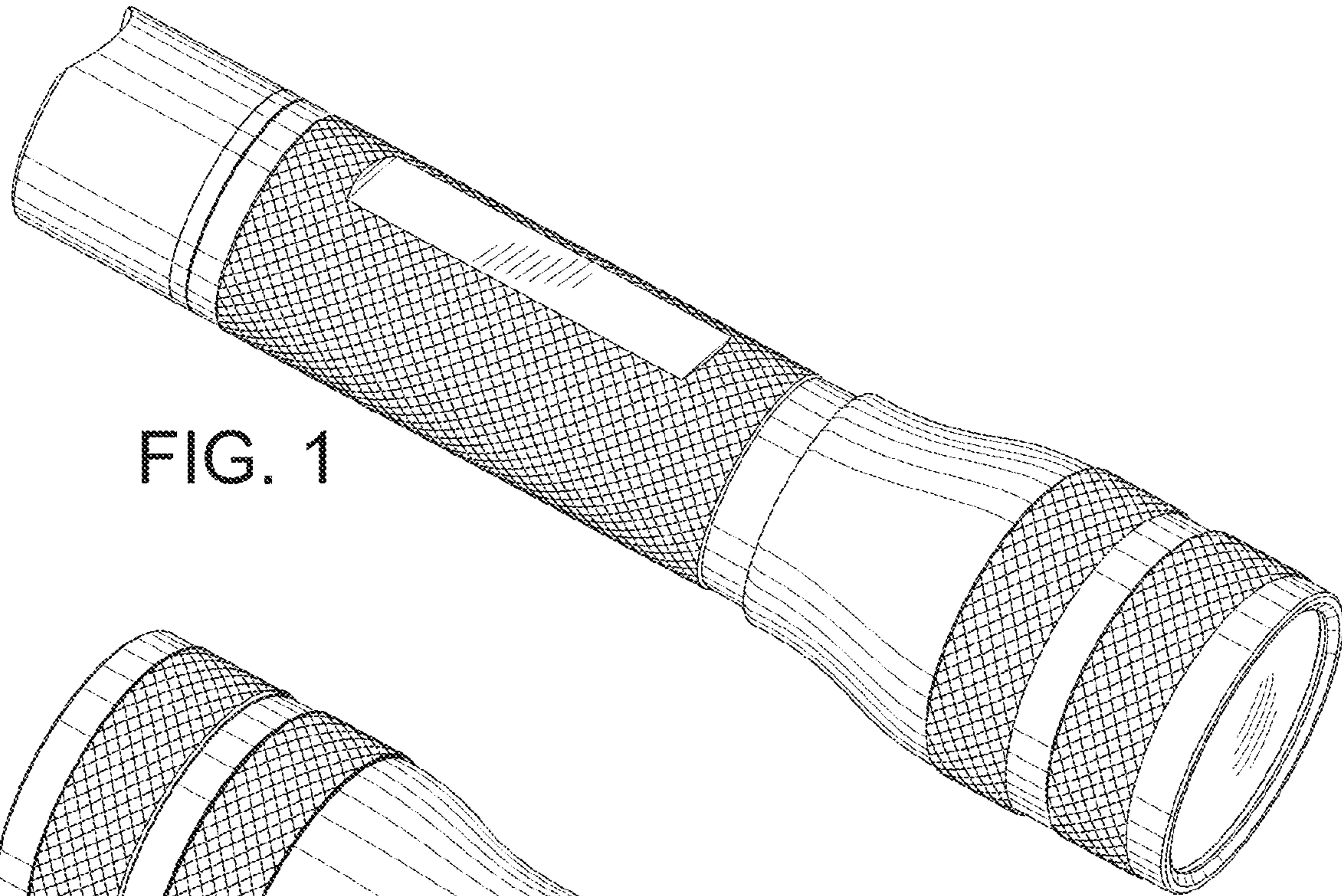


FIG. 1

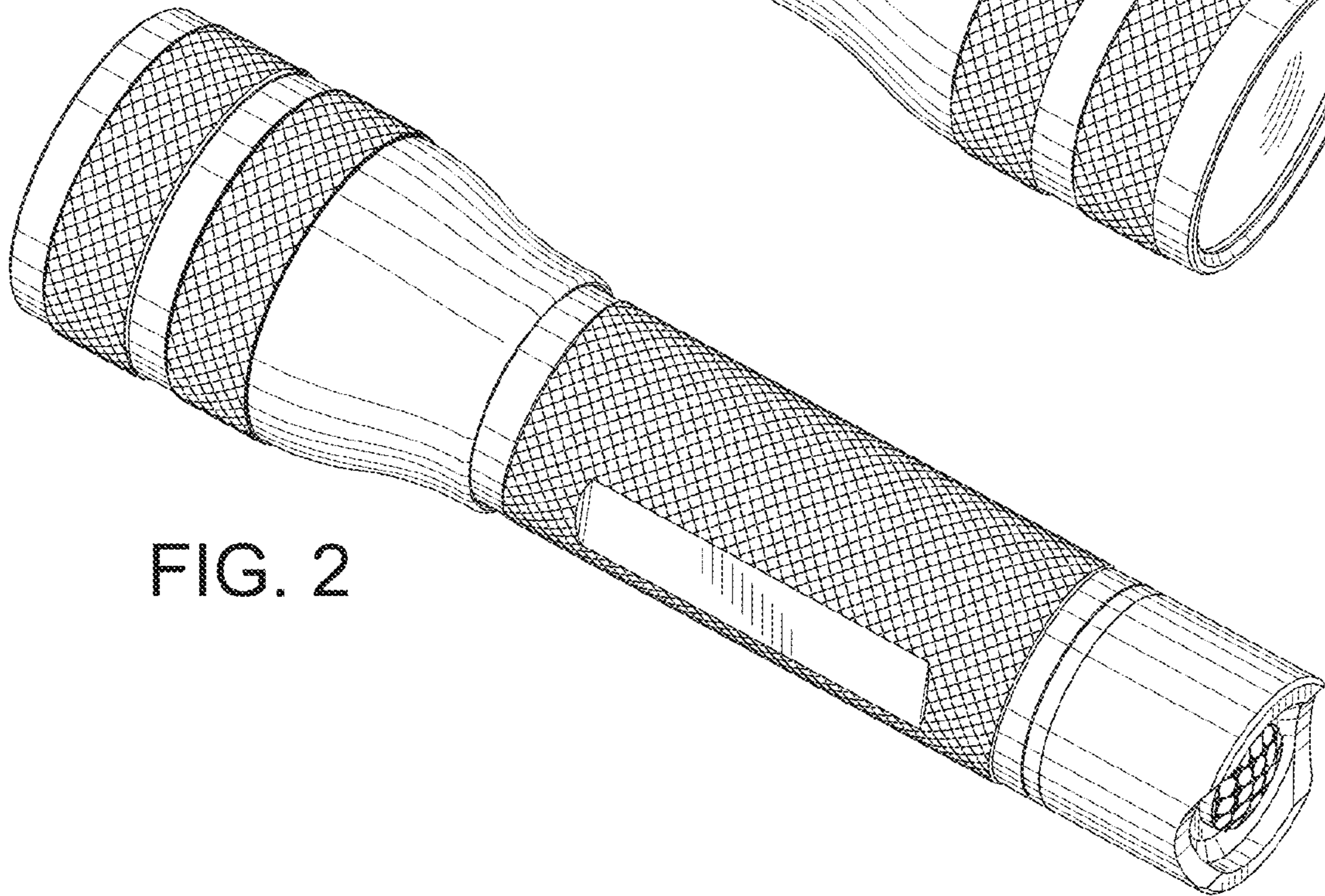


FIG. 2

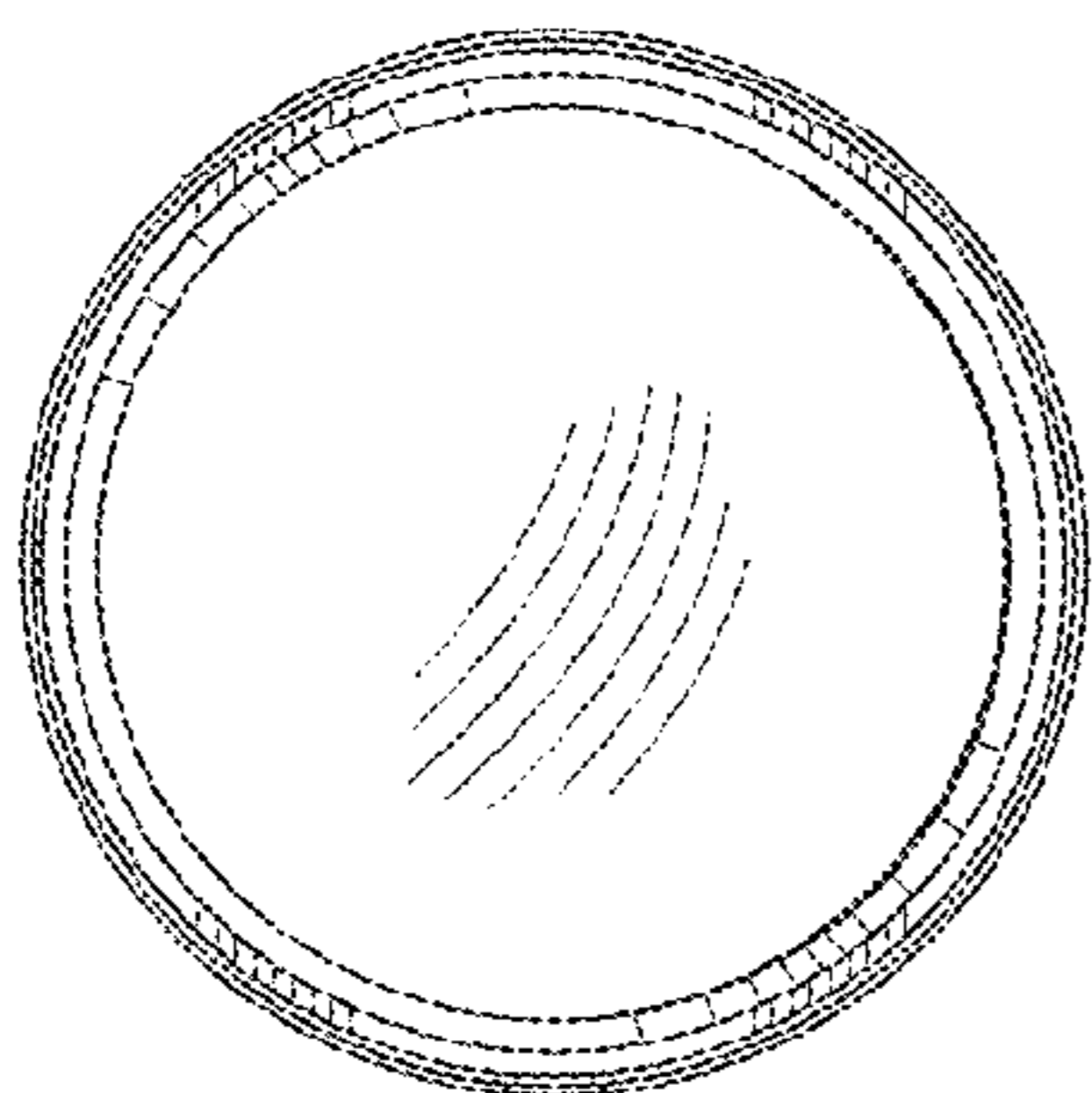


FIG. 3

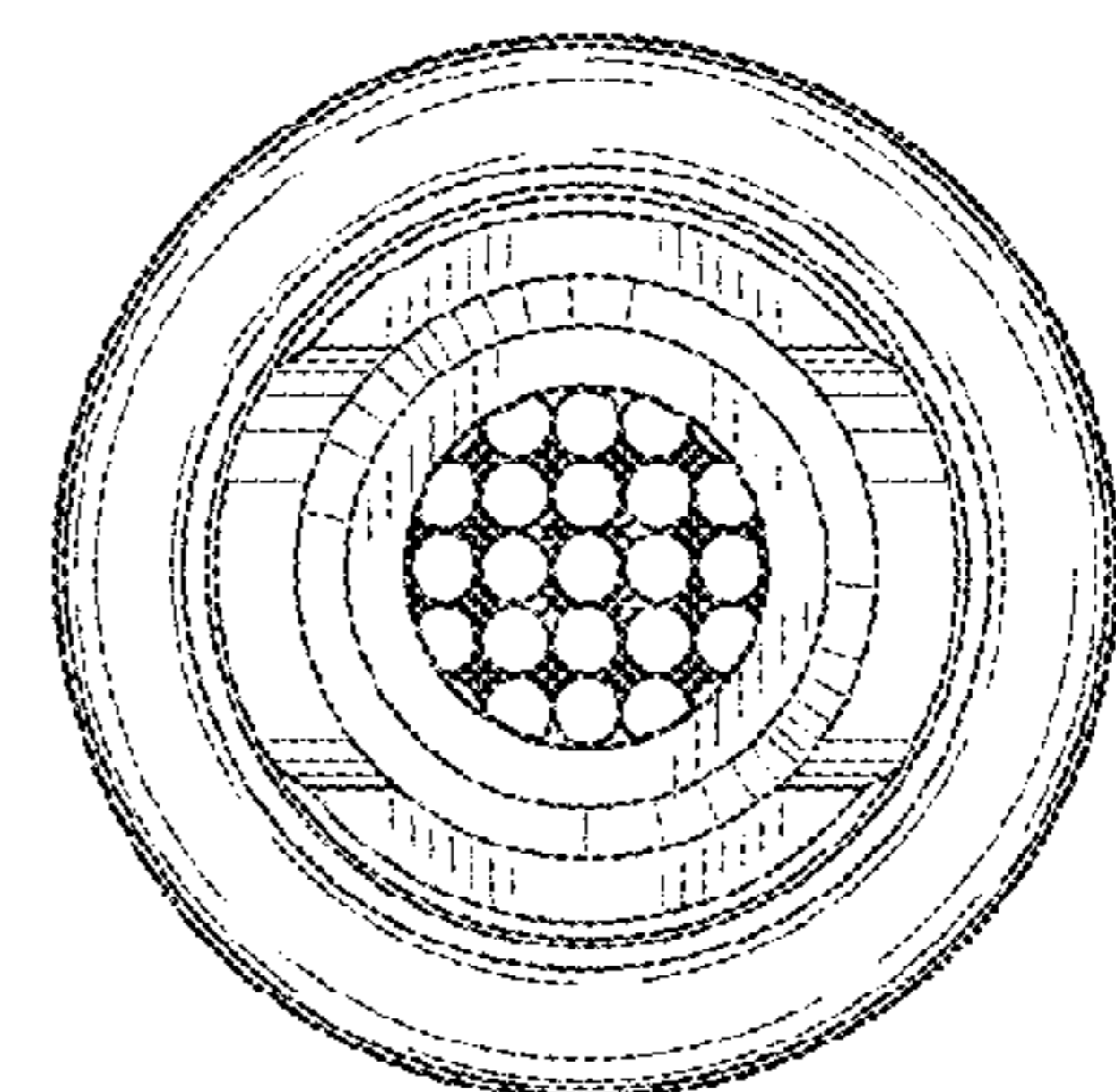


FIG. 4

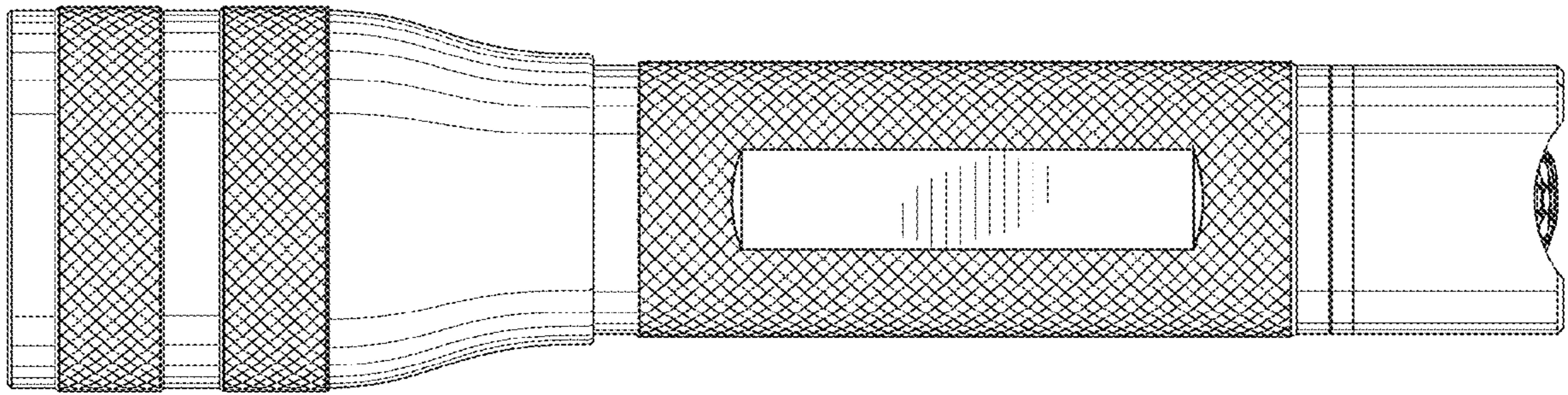


FIG. 5

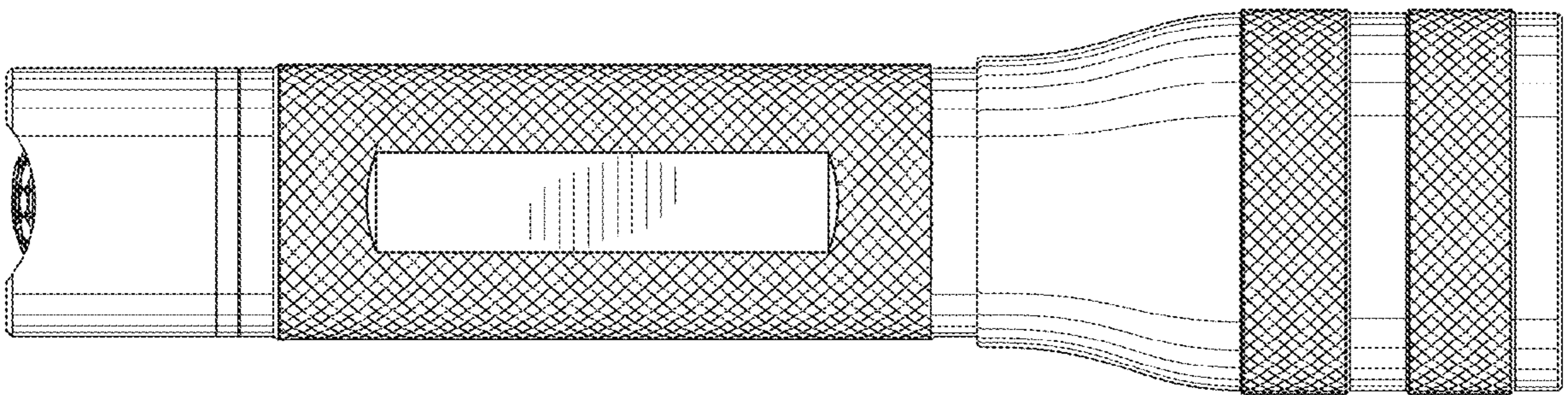


FIG. 6

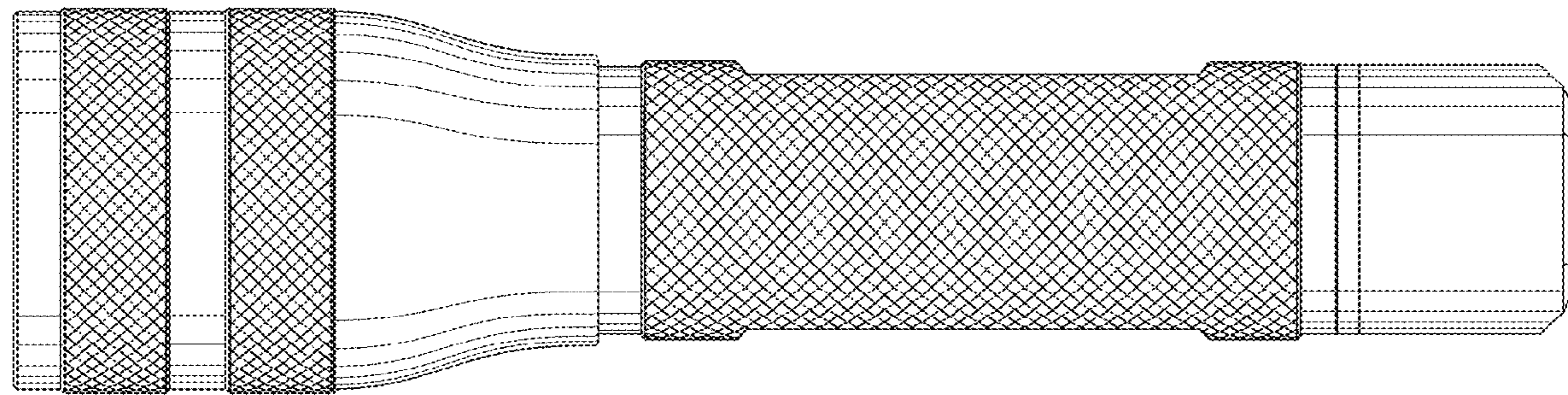


FIG. 7

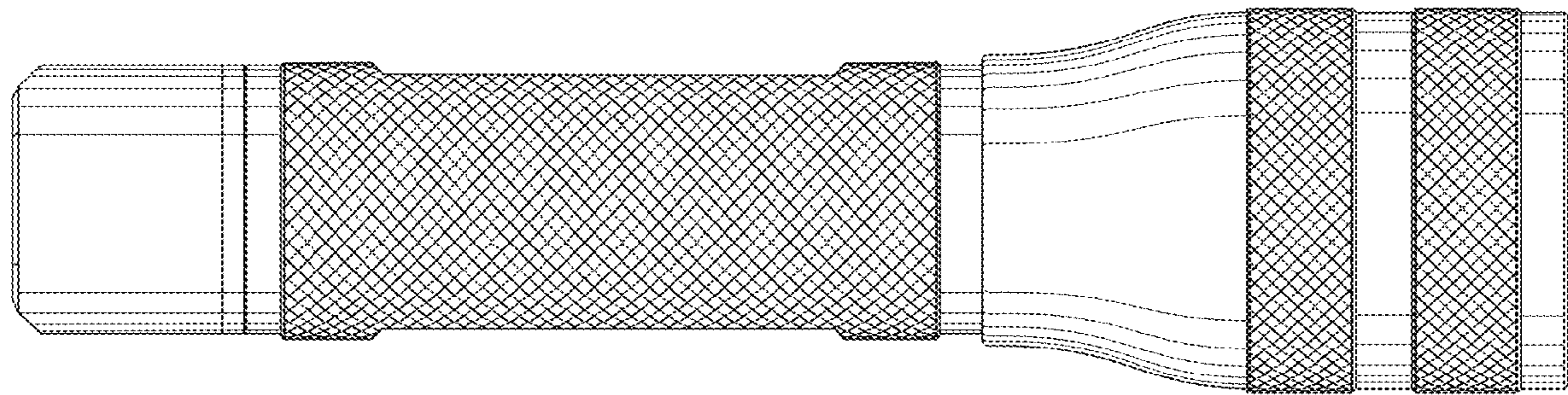


FIG. 8

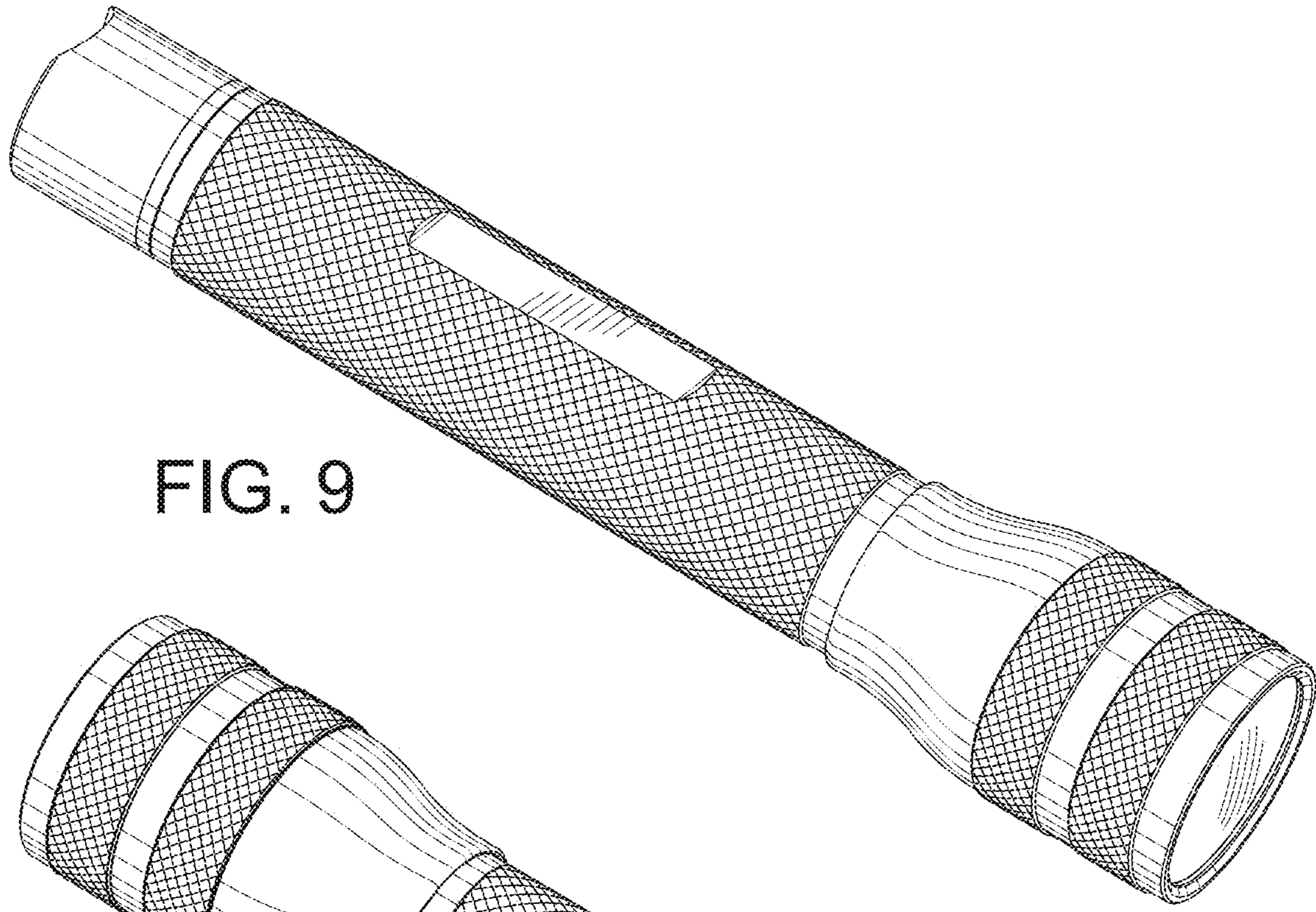


FIG. 9

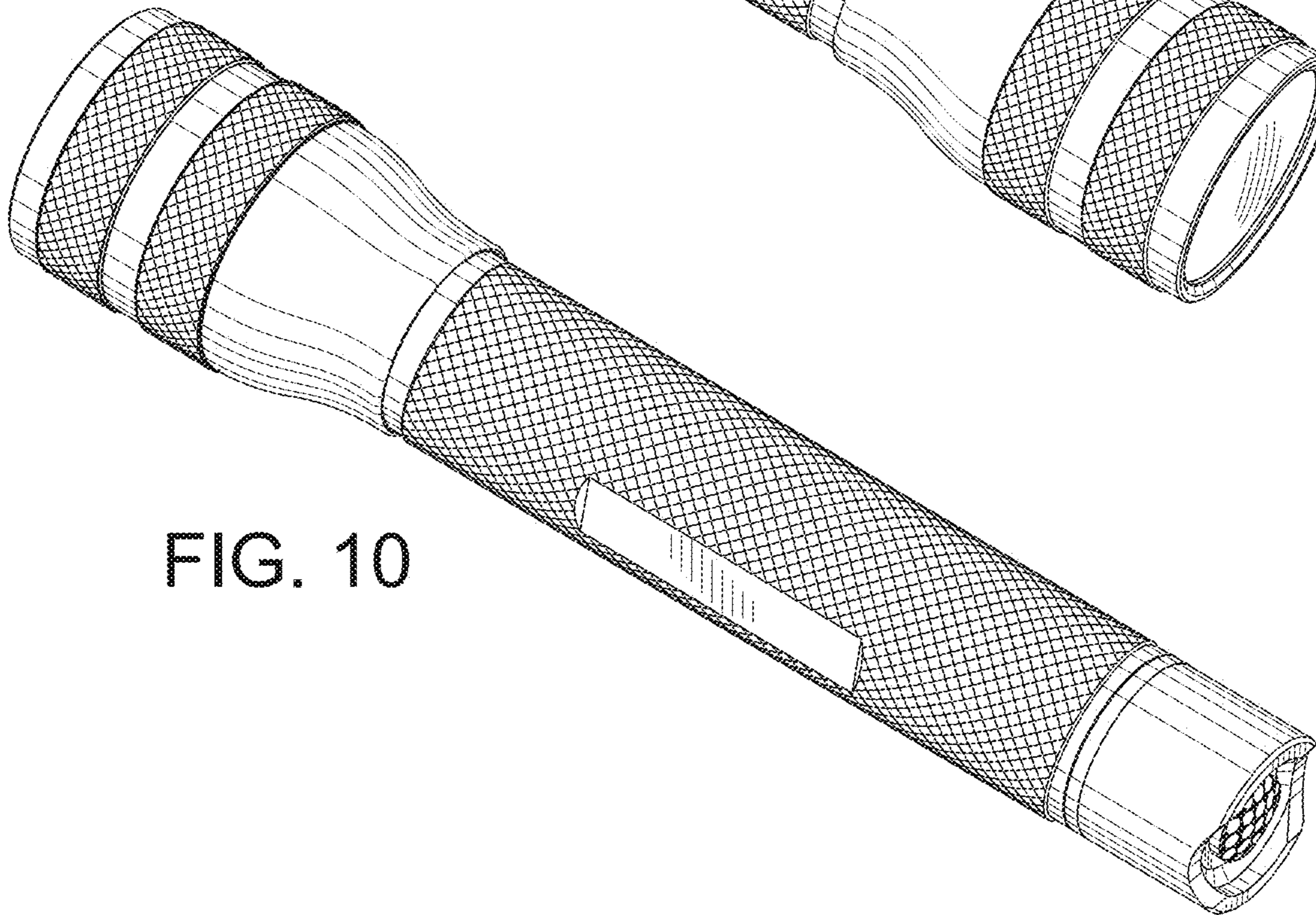


FIG. 10

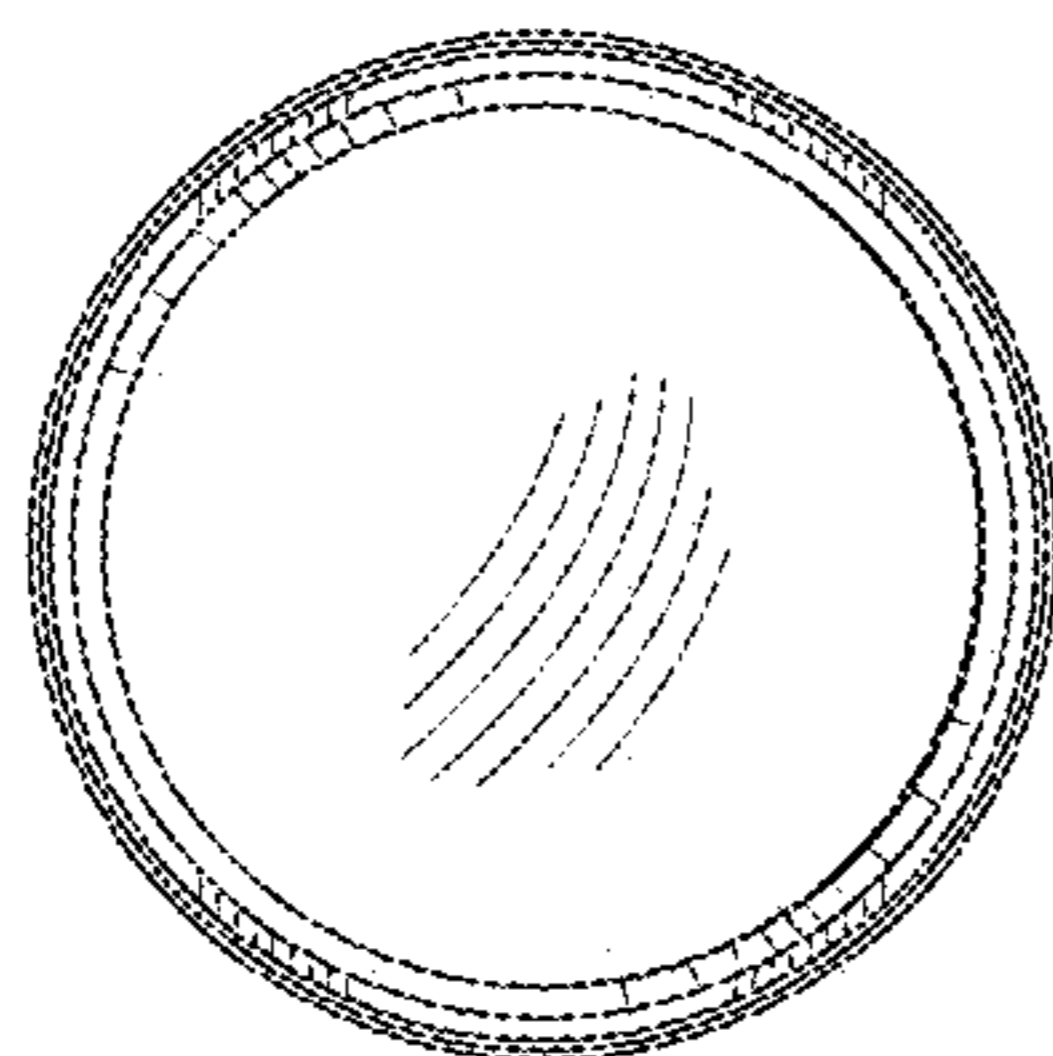


FIG. 11

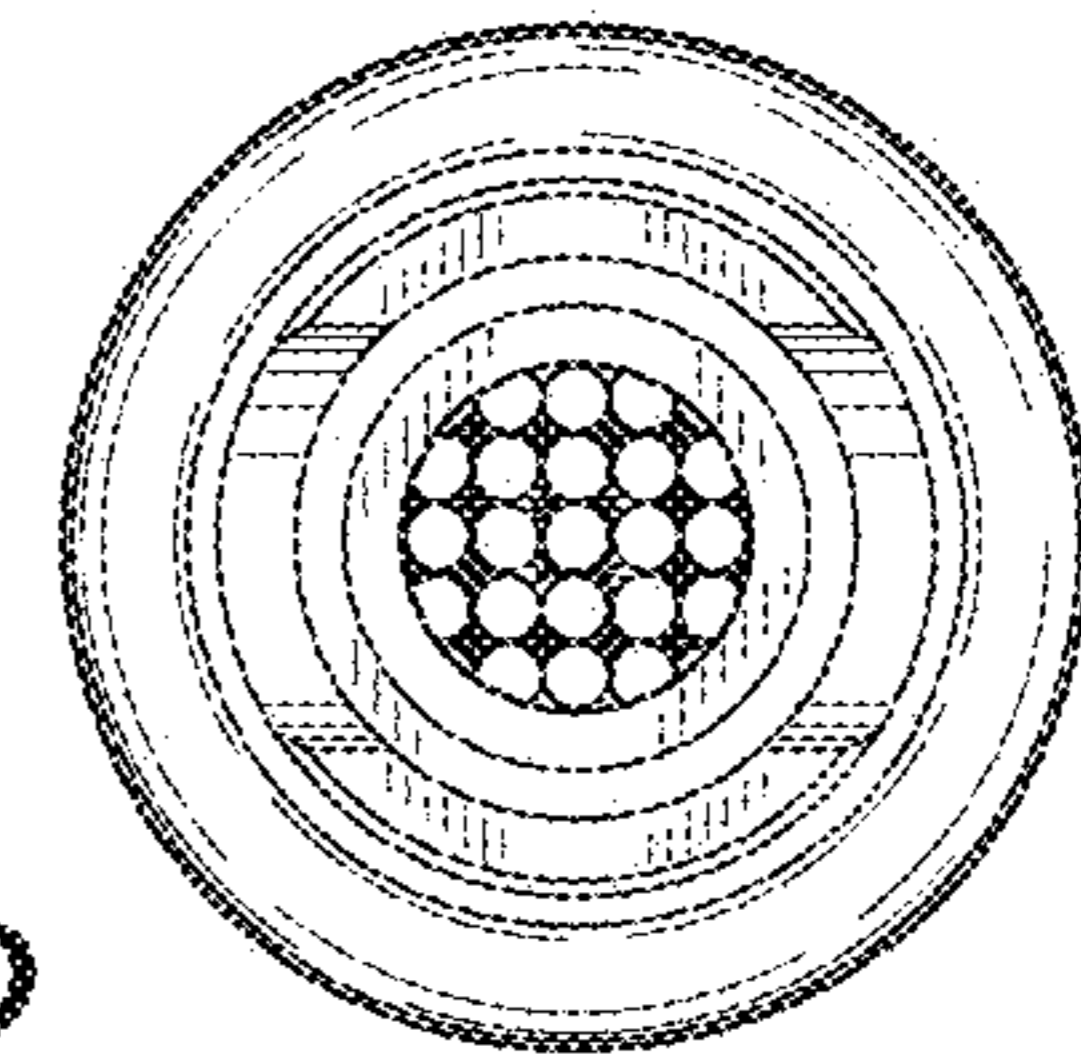


FIG. 12

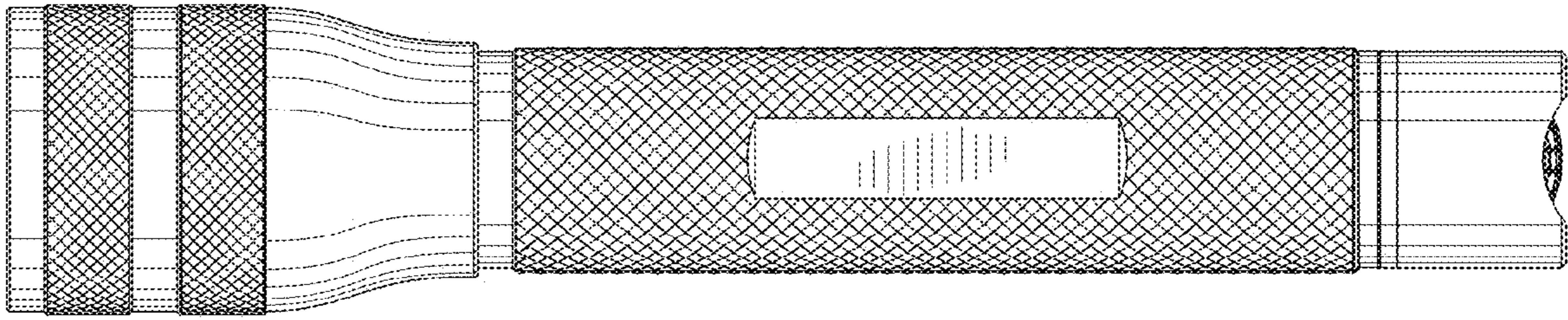


FIG. 13

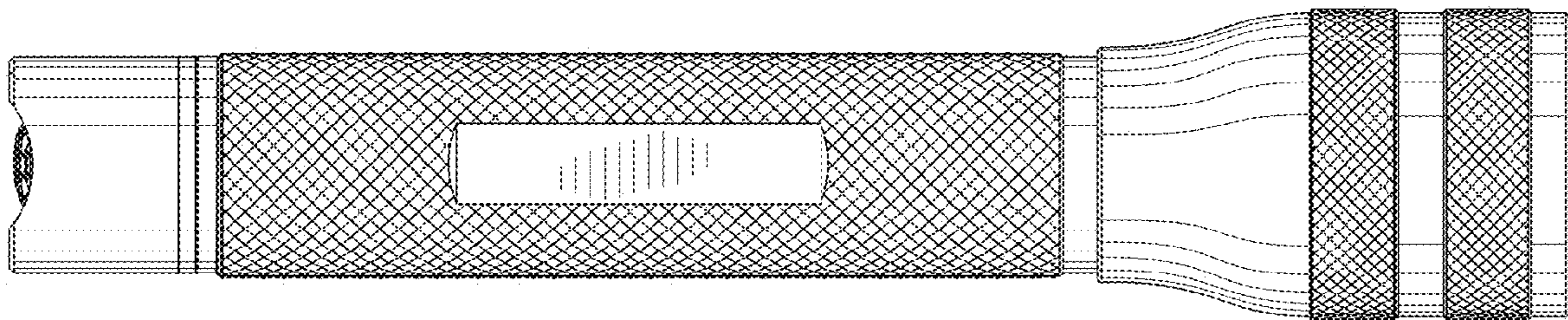


FIG. 14

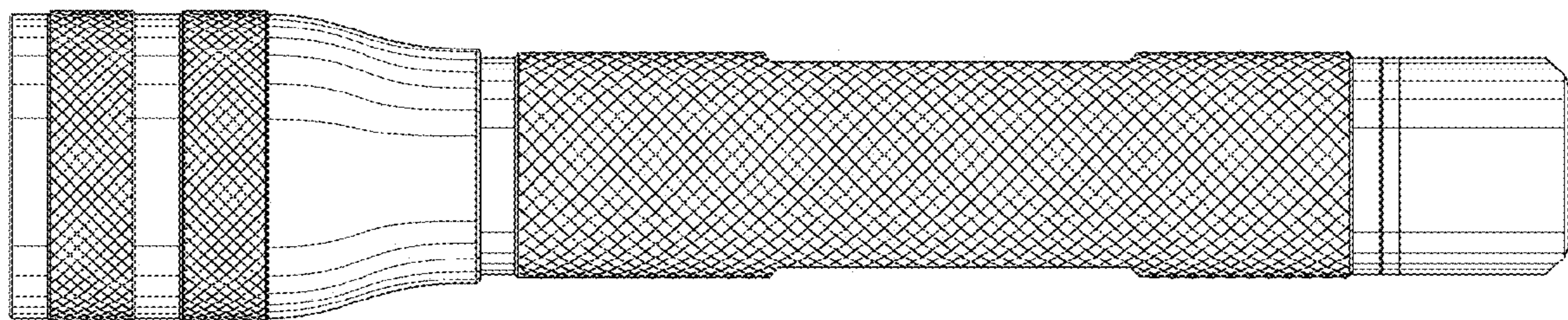


FIG. 15

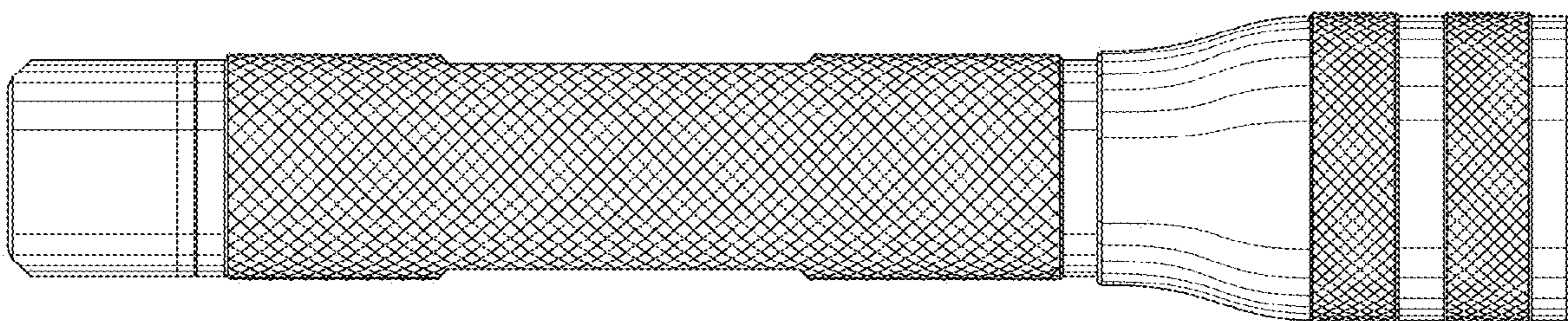


FIG. 16