



US00D929628S

(12) **United States Design Patent** (10) **Patent No.:** **US D929,628 S**
Saboo (45) **Date of Patent:** **** Aug. 31, 2021**

(54) **FLASHLIGHT WITH AN ELECTRONIC INSECT REPELLENT**

D709,233 S * 7/2014 Inskeep D26/49
8,973,481 B2 * 3/2015 Dueck F41A 21/325
89/14.4
D754,899 S * 4/2016 Cooper F41A 21/325
D26/49

(71) Applicant: **West Coast Imports, Inc.**, Commerce, CA (US)

(Continued)

(72) Inventor: **Vinay Saboo**, Commerce, CA (US)

FOREIGN PATENT DOCUMENTS

(73) Assignee: **WEST COAST IMPORTS, INC.**, Commerce, CA (US)

CN 304152418 * 5/2017
EM 000831268-0001 * 2/2008
EM 002753012-0002 * 2/2015

(**) Term: **15 Years**

OTHER PUBLICATIONS

(21) Appl. No.: **29/694,652**

“GLOUE Bug Zapper Light,” Jun. 10, 2019 (Q&A), amazon.com, site visited Jun. 16, 2021, URL: https://www.amazon.com/GLOUE-Zapper-Mosquito-Killer-Electronic/dp/B07RPLZYJD/ref=sr_1_10?dchild=1&keywords=Patio%2C+Lawn+%26+Garden+Insect+Zappers+Mosquito+Killer+Lamp+Bug+Zapper&qid=1623870983&s=lawn-garde (Year: 2019).*

(22) Filed: **Jun. 12, 2019**

(51) **LOC (13) Cl.** **26-02**

(52) **U.S. Cl.**
USPC **D26/38**

(Continued)

(58) **Field of Classification Search**
USPC D26/37–44, 46–52; D10/111–115
CPC ... F21Y 2115/10; F21Y 2113/13; F21L 4/027;
F21L 4/025; F21L 4/085; F21V 23/0414;
F21V 9/083

Primary Examiner — Eric L Goodman
Assistant Examiner — Sarah L Smith
(74) *Attorney, Agent, or Firm* — Tarter Krinsky & Drogin LLP

See application file for complete search history.

(57) **CLAIM**

(56) **References Cited**

The ornamental design for a flashlight with an electronic insect repellent, as shown and described.

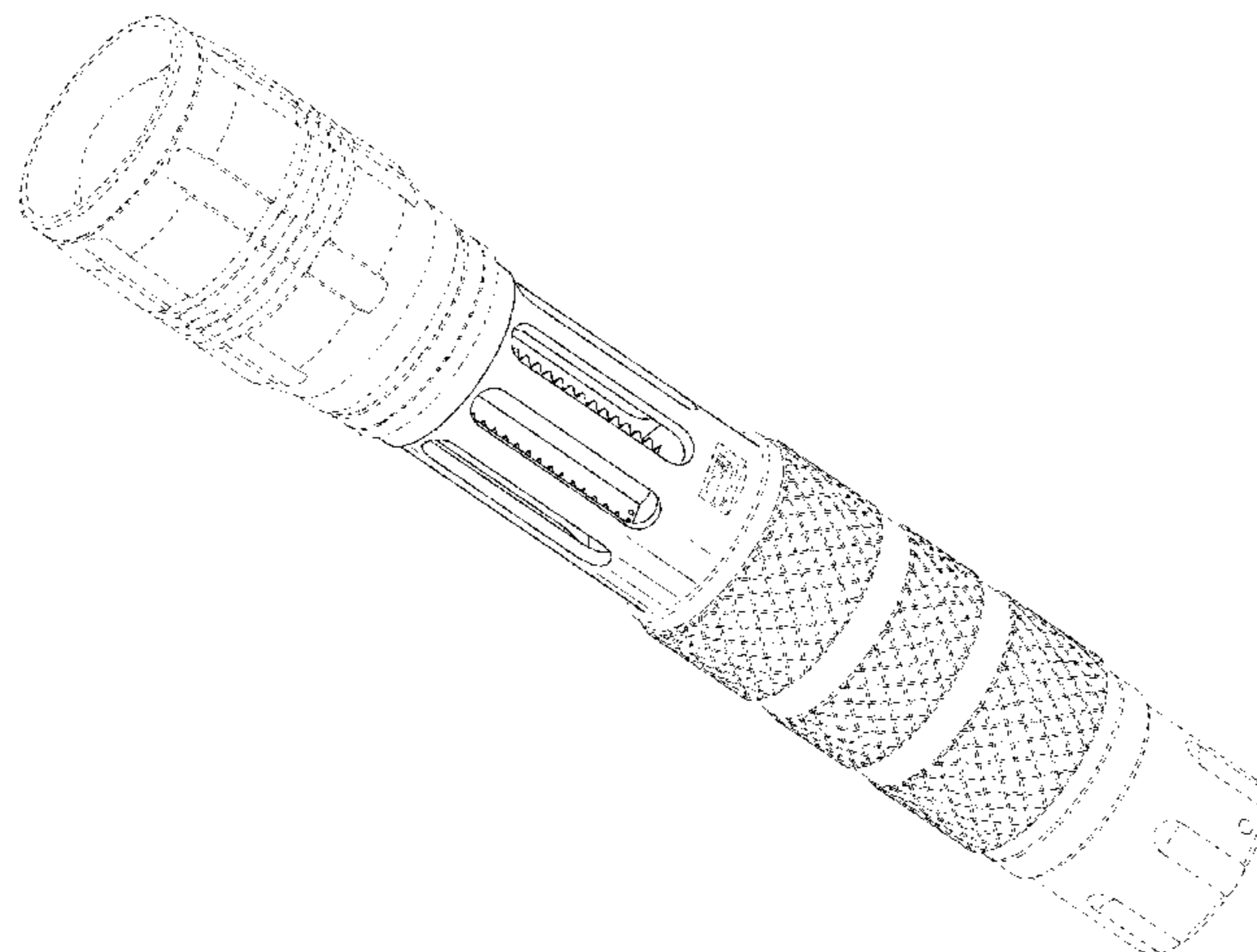
U.S. PATENT DOCUMENTS

D455,513 S * 4/2002 Galli D26/49
D501,054 S * 1/2005 Galli D26/37
D565,220 S * 3/2008 Galli D26/49
D601,737 S * 10/2009 Swan D26/49
D606,220 S * 12/2009 Kim D26/46
D606,686 S * 12/2009 Kim D26/46
D606,687 S * 12/2009 Kim H01M 50/213
D26/46
D619,284 S * 7/2010 Kim D26/49
7,784,963 B2 * 8/2010 Galli F41G 1/35
362/184
8,567,556 B2 * 10/2013 Dueck F41A 21/325
181/223

DESCRIPTION

FIG. 1 is a perspective view of a flashlight with an electronic insect repellent.
FIG. 2 is a front view thereof;
FIG. 3 is a first side view thereof;
FIG. 4 is a rear view thereof;
FIG. 5 is a second side view thereof;
FIG. 6 is a bottom view thereof; and,
FIG. 7 is a top view thereof.

(Continued)



The broken lines shown in the figures are environmental and form no part of the claimed design.

1 Claim, 4 Drawing Sheets

(56) **References Cited**

U.S. PATENT DOCUMENTS

D774,230 S * 12/2016 Prieto D26/49
D780,356 S * 2/2017 Nguyen D26/49
D804,696 S * 12/2017 Cheng D26/49
D811,636 S * 2/2018 Galli D26/49
D832,390 S * 10/2018 Geissele D22/108
D885,626 S * 5/2020 Inskip D26/49
2003/0147239 A1 * 8/2003 Galli F21V 23/0414
362/205
2004/0105258 A1 * 6/2004 Galli G02F 1/1339
362/205
2012/0033416 A1 * 2/2012 Ballard H01M 50/213
362/202
2016/0013675 A1 * 1/2016 Workman H02J 7/35
320/101
2017/0067605 A1 * 3/2017 Kuo F21L 4/085
2020/0390078 A1 * 12/2020 Saboo A01M 1/223

OTHER PUBLICATIONS

https://www.amazon.com/Millennials-Outdoors-Electronic-Mosquito-Outdoor/dp/B07QS343L6/ref=pd_di_sccai_4/142-1907619-3348727?pd_rd_w=msC2W&pf_rd_p=c9443270-b914-4430-a90b-72e3e7e784e0&pf_rd_r=NVY86QZY1EM6EWQEG3B&pd_rd_r=aeb9f7e8-f9b4-473a-9903-5fc8a0e6360e&pd_rd_wg=zRQbd&pd_rd_i=B07QS343L6&psc=1 (Year: 2019).*

* cited by examiner

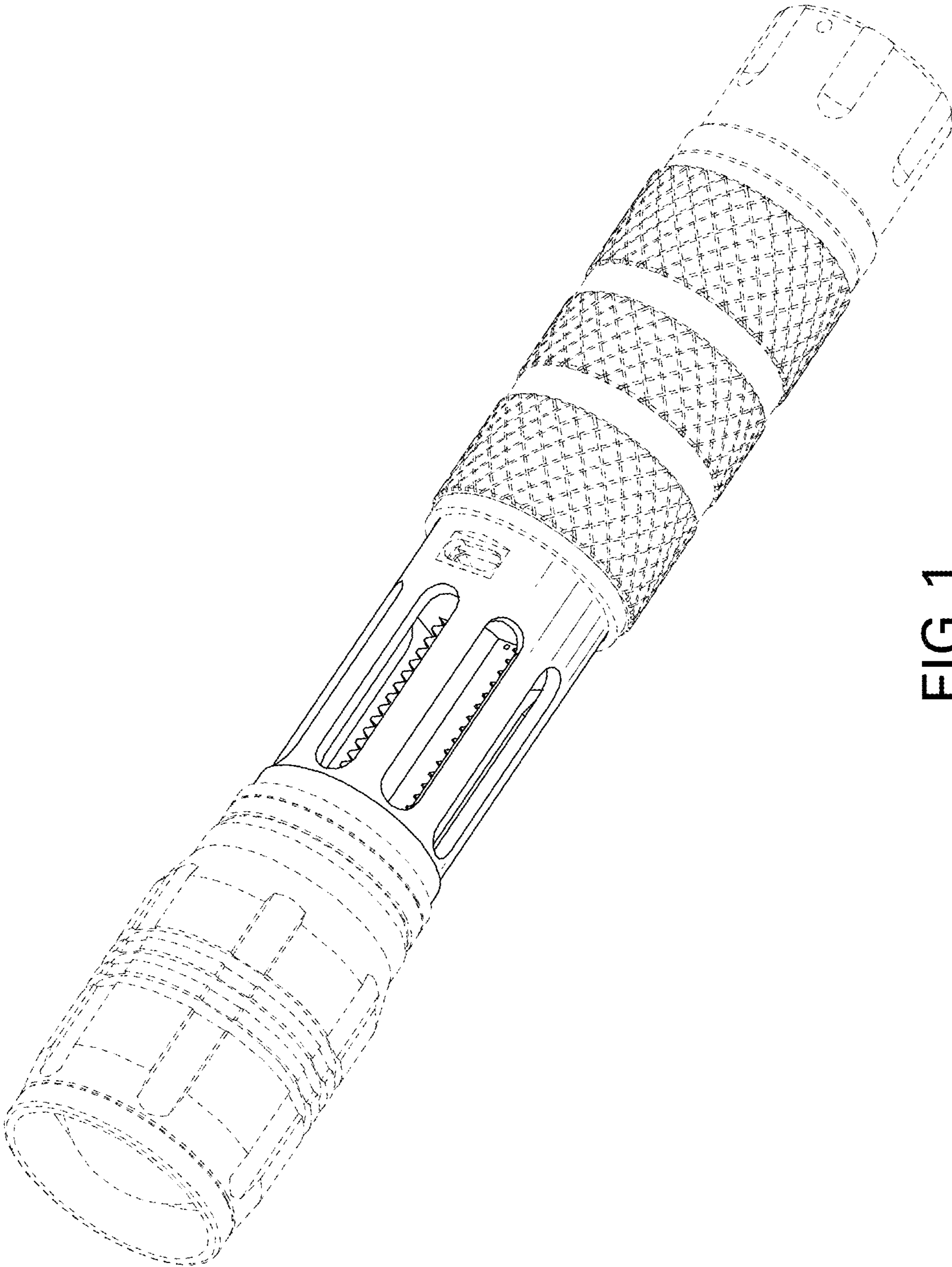


FIG. 1

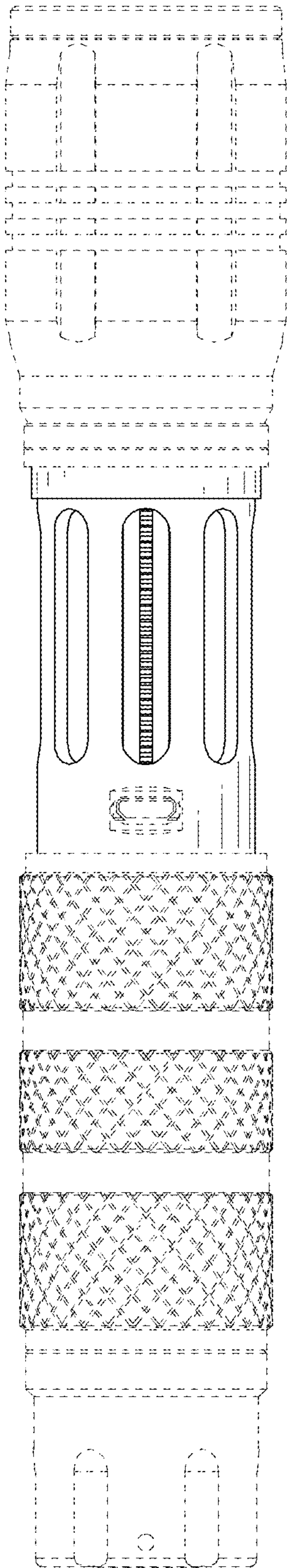


FIG. 2

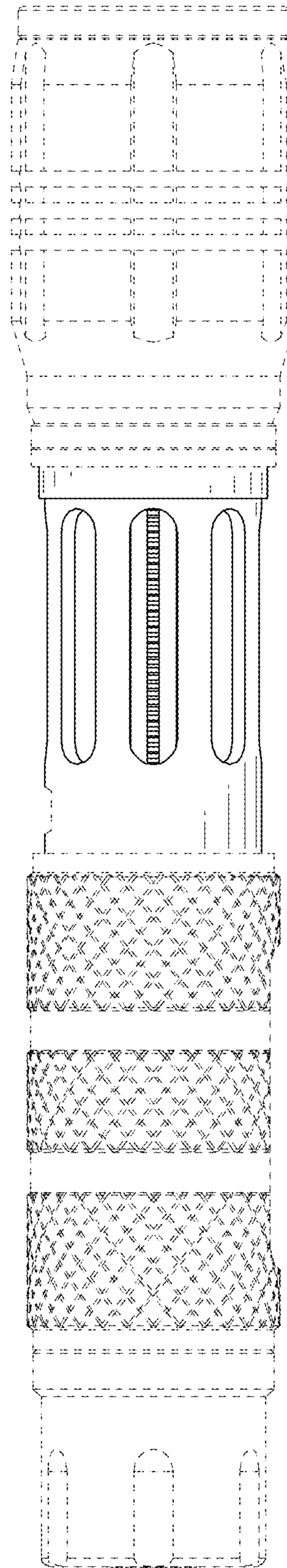


FIG. 3

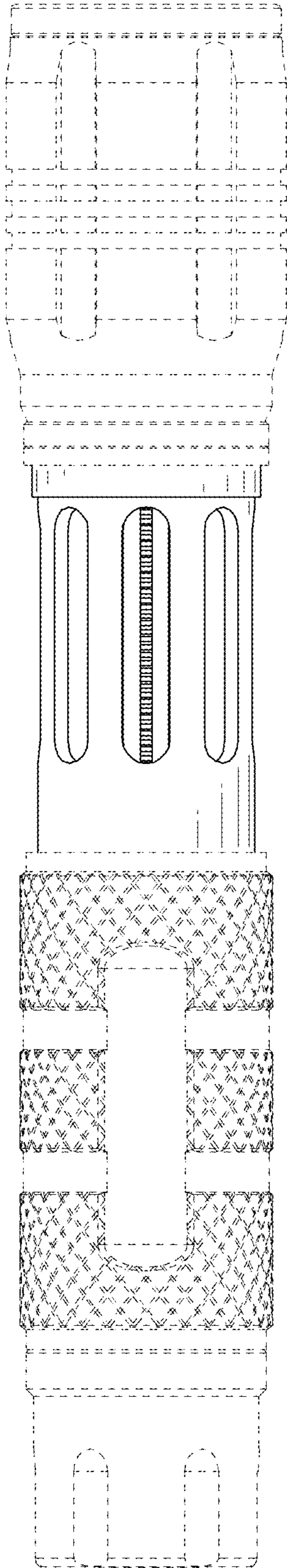


FIG. 4

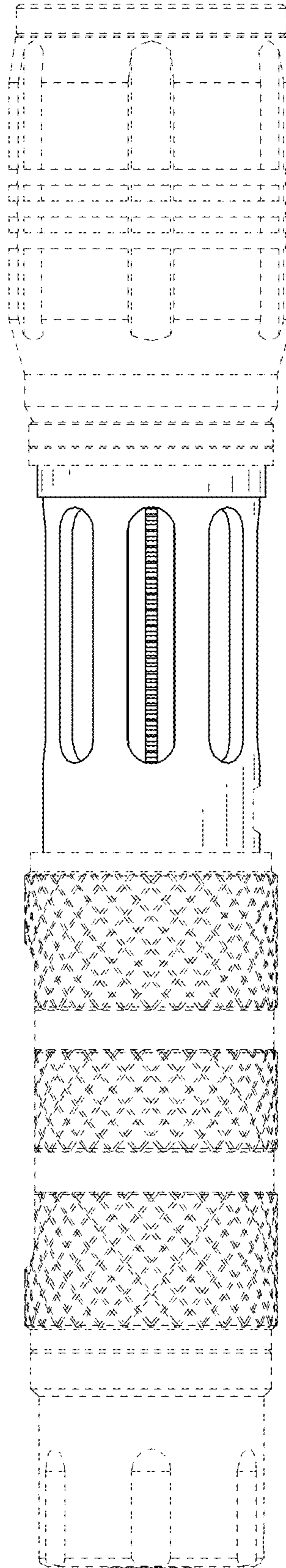


FIG. 5

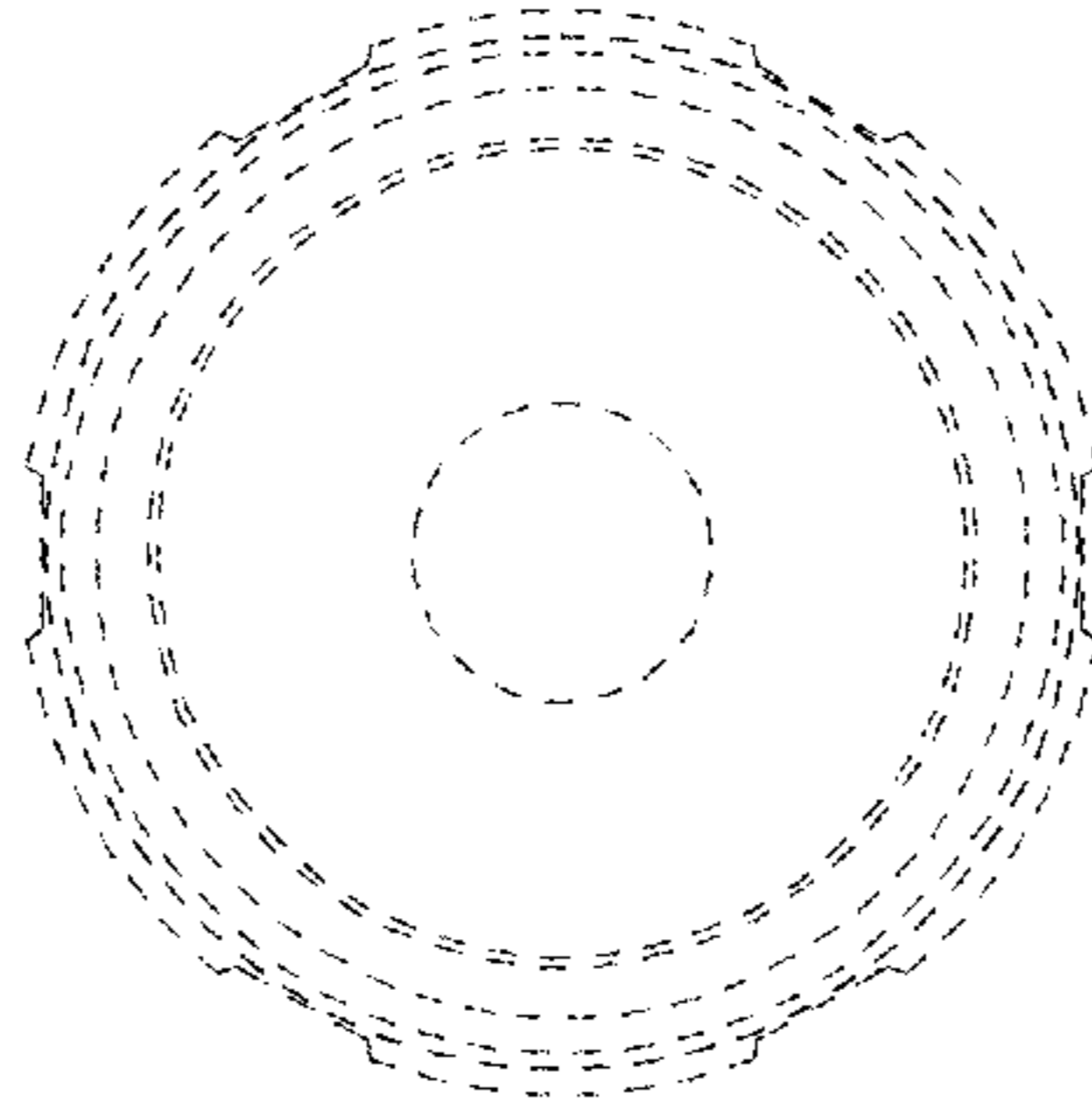


FIG. 7

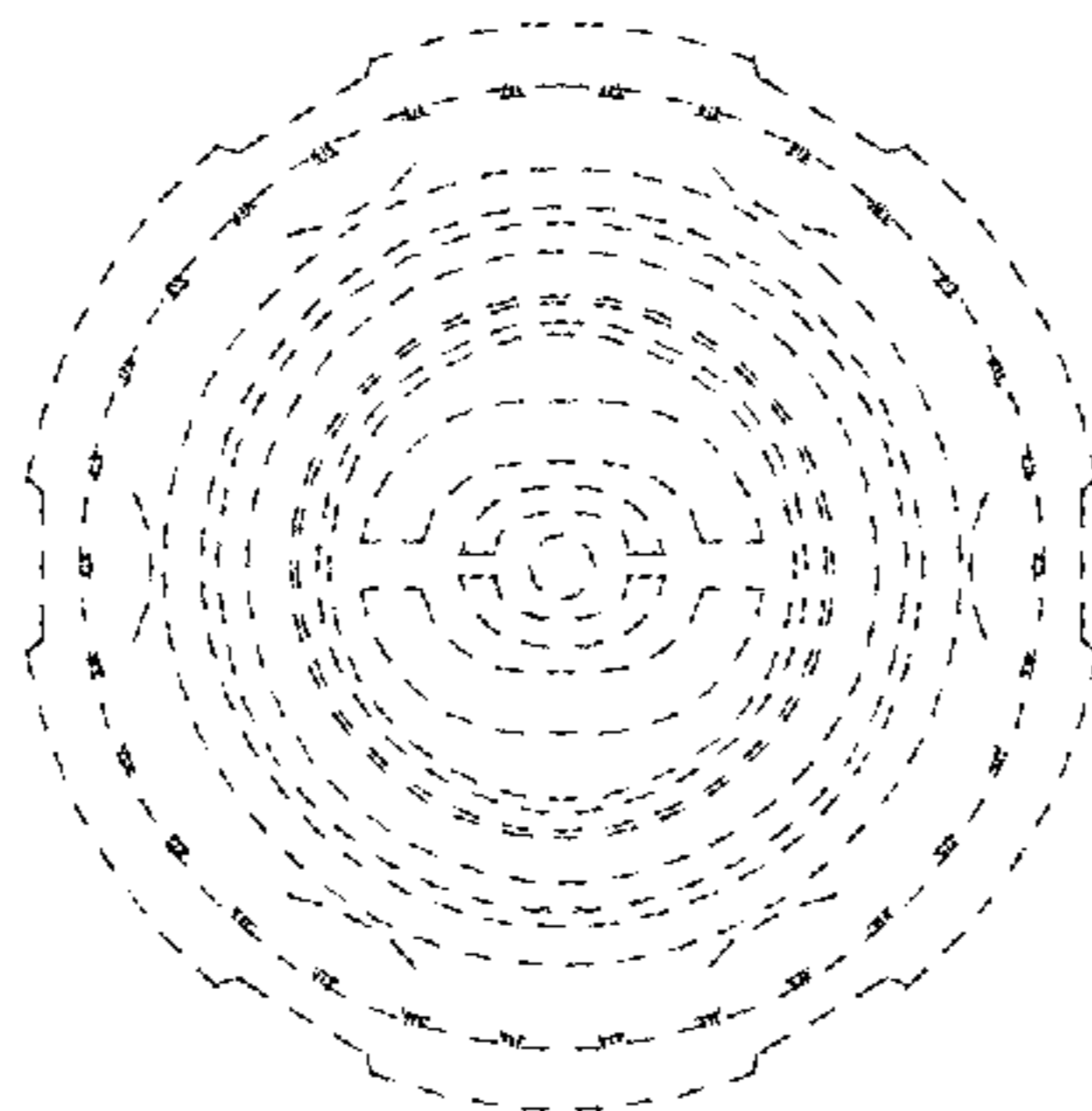


FIG. 6