



US00D929627S

(12) **United States Design Patent**
Kujawa et al.

(10) **Patent No.:** **US D929,627 S**

(45) **Date of Patent:** **** Aug. 31, 2021**

(54) **LIGHT BAR**

(71) Applicant: **Lumitec, LLC**, Delray Beach, FL (US)

(72) Inventors: **John Alexander Kujawa**, Delray Beach, FL (US); **Michael Albion Kestner**, Boynton Beach, FL (US)

(73) Assignee: **Lumitec, LLC**, Delray Beach, FL (US)

(**) Term: **15 Years**

(21) Appl. No.: **29/665,311**

(22) Filed: **Oct. 2, 2018**

(51) **LOC (13) Cl.** **26-06**

(52) **U.S. Cl.**

USPC **D26/31**

(58) **Field of Classification Search**

USPC D26/28-36, 139

CPC F21S 48/00; F21S 48/10; F21S 48/115;
F21S 48/225; F21S 48/1233; F21S
48/1266; F21S 48/1388; F21S 48/2268;
F21V 21/04; F21V 29/004; B60Q 9/13;
B60Q 9/135; B60Q 9/1375

See application file for complete search history.

(56) **References Cited**

U.S. PATENT DOCUMENTS

D326,282 S * 5/1992 Spoljaric D20/10

D326,826 S * 6/1992 Trimble, Jr. D10/114.3

D331,890 S * 12/1992 Robinson D10/114.3

D349,517 S * 8/1994 Neff D10/114.1

* cited by examiner

Primary Examiner — Marcus A Jackson

(74) *Attorney, Agent, or Firm* — Calfee, Halter & Griswold LLP

(57) **CLAIM**

We claim the ornamental design for a light bar, as shown and described.

DESCRIPTION

FIG. 1 is a perspective view of a light bar;

FIG. 2 is a front view thereof;

FIG. 3 is a rear view thereof;

FIG. 4 is a rear view thereof;

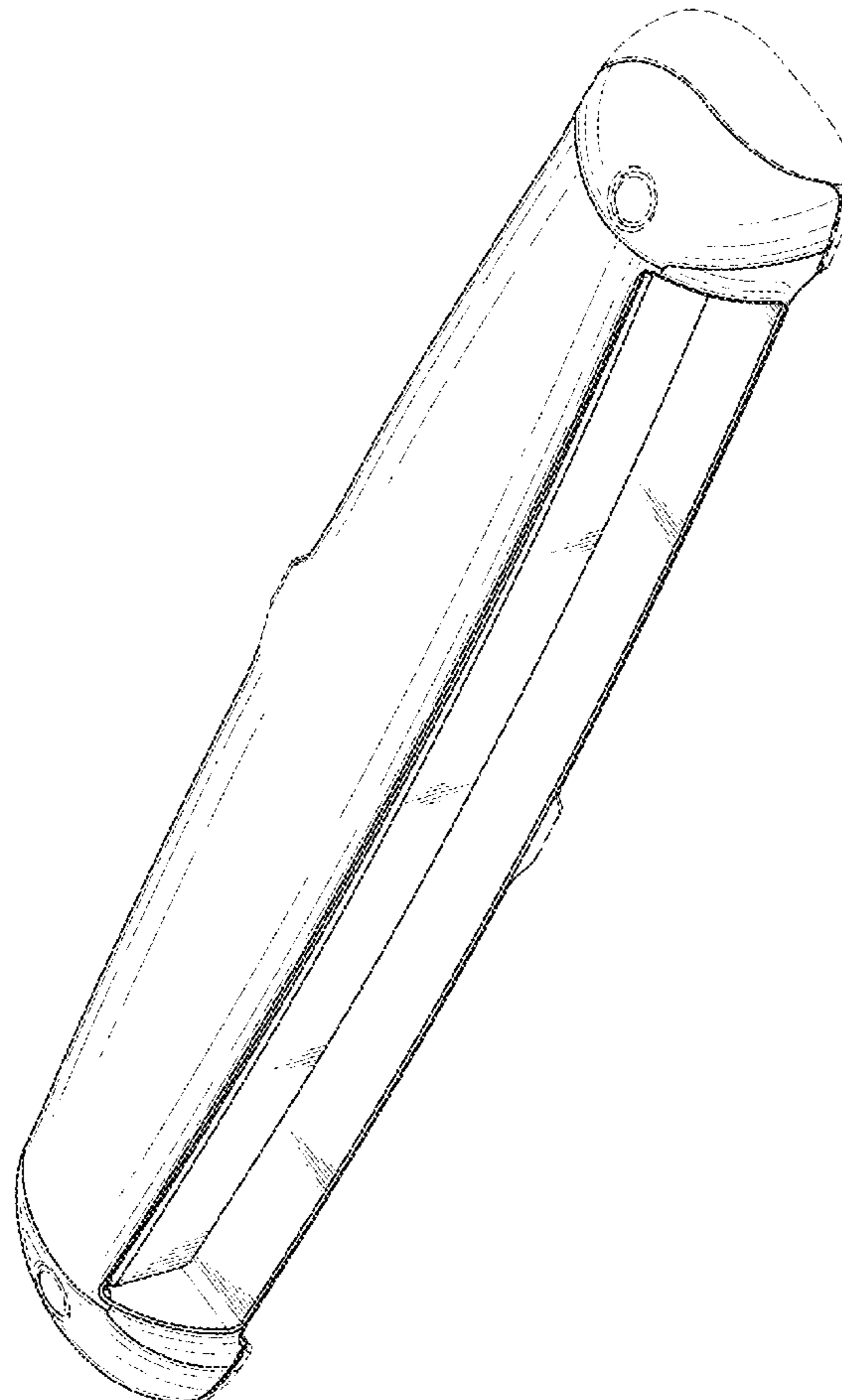
FIG. 5 is a right side view thereof;

FIG. 6 is a left side view thereof; and,

FIG. 7 is a top view thereof.

The broken lines show portions of the light bar that form no part of the claimed design. Further, no lines, shading or other effects are meant to be indicative of any specified colors.

1 Claim, 6 Drawing Sheets



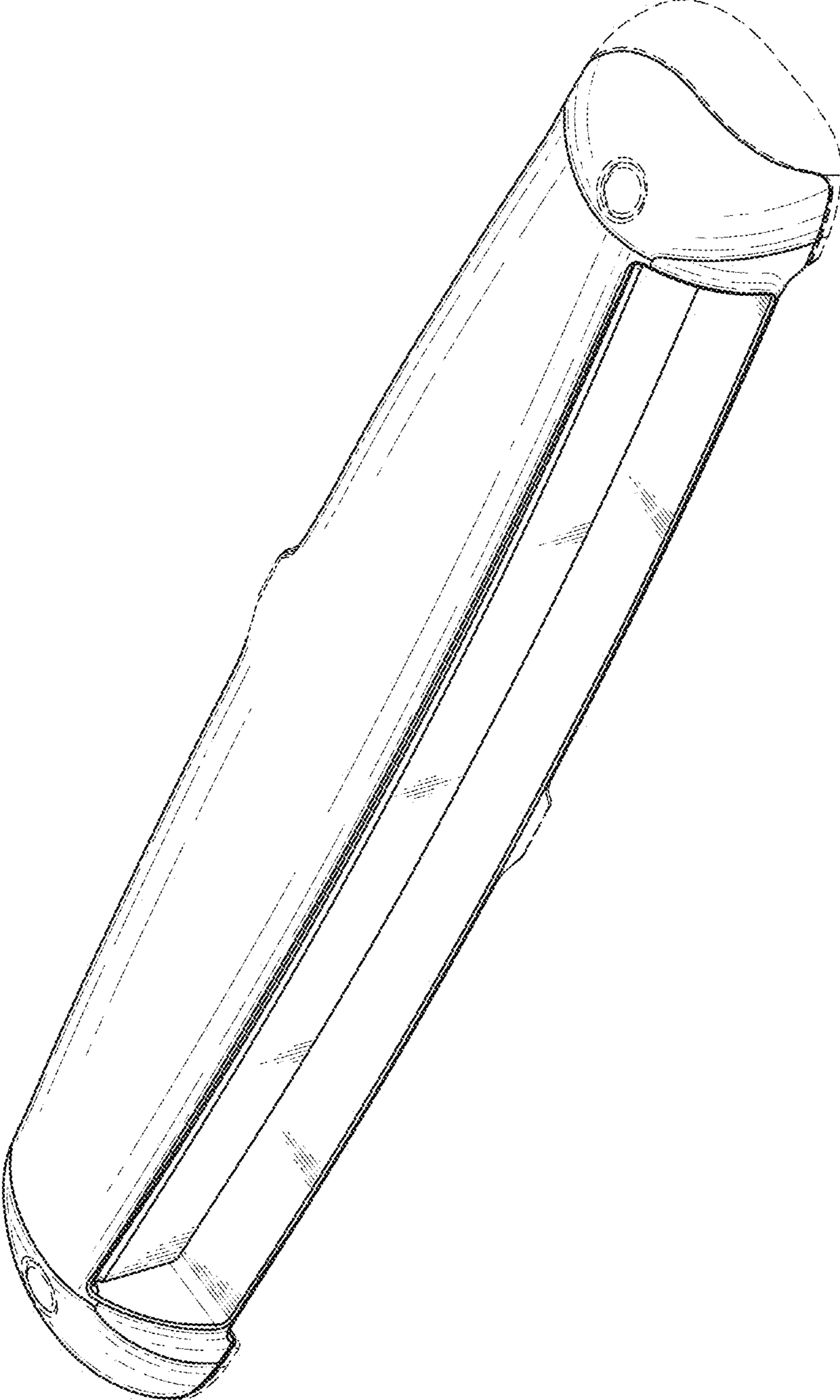


FIG. 1

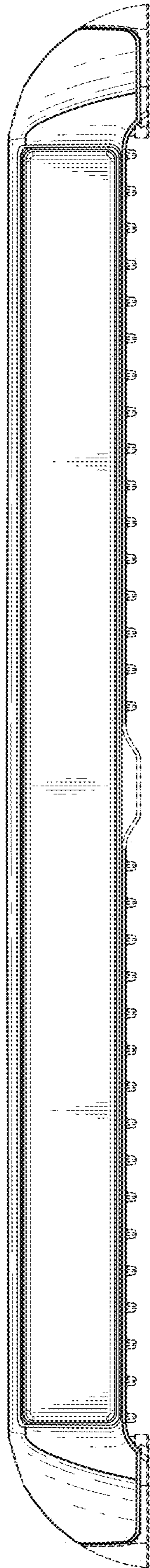


FIG. 2

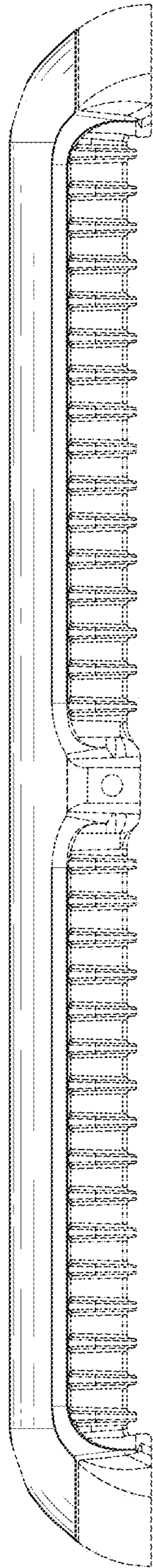


FIG. 3

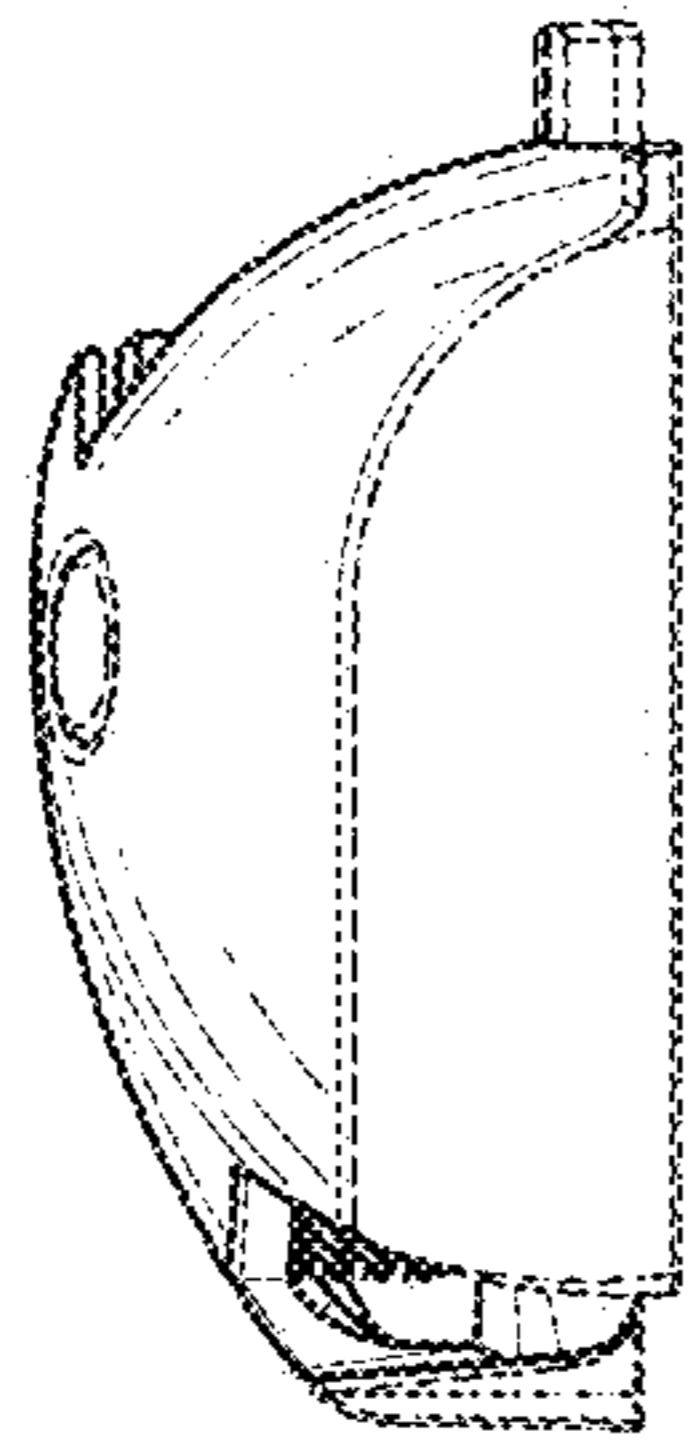


FIG. 4

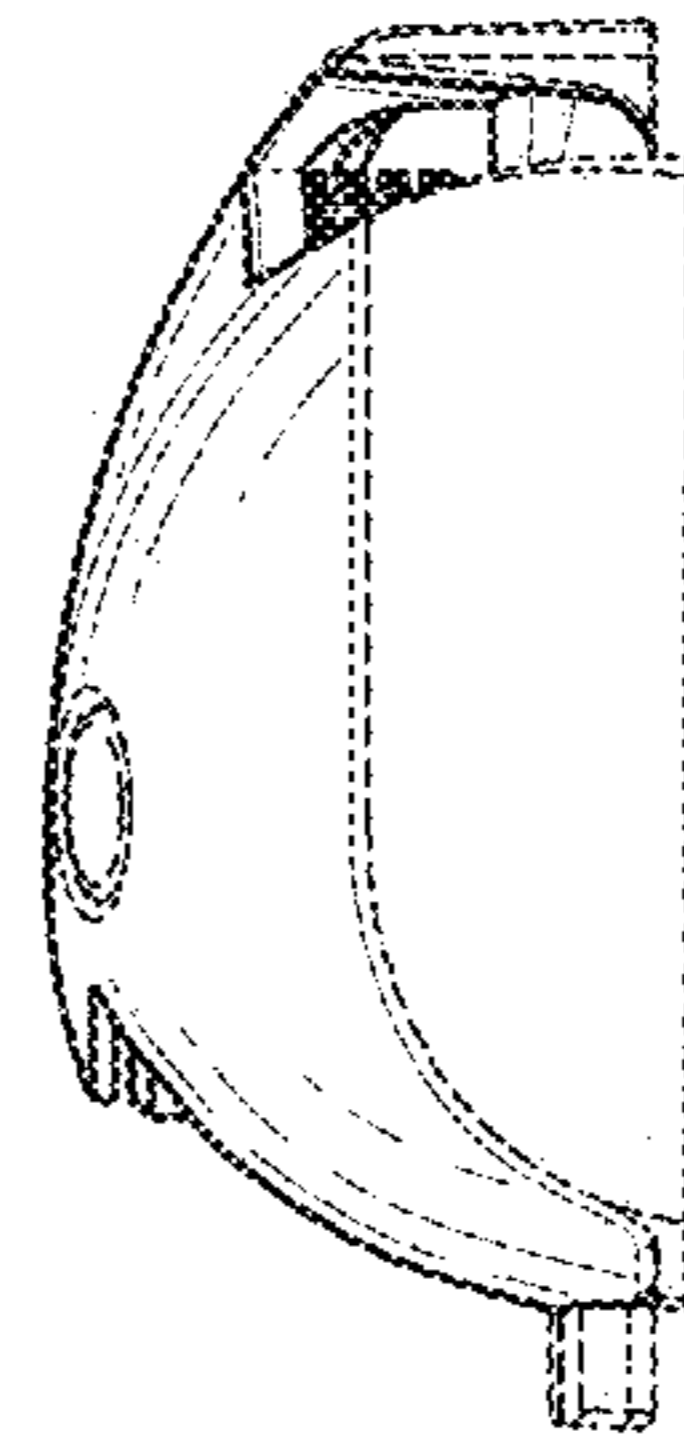


FIG. 5

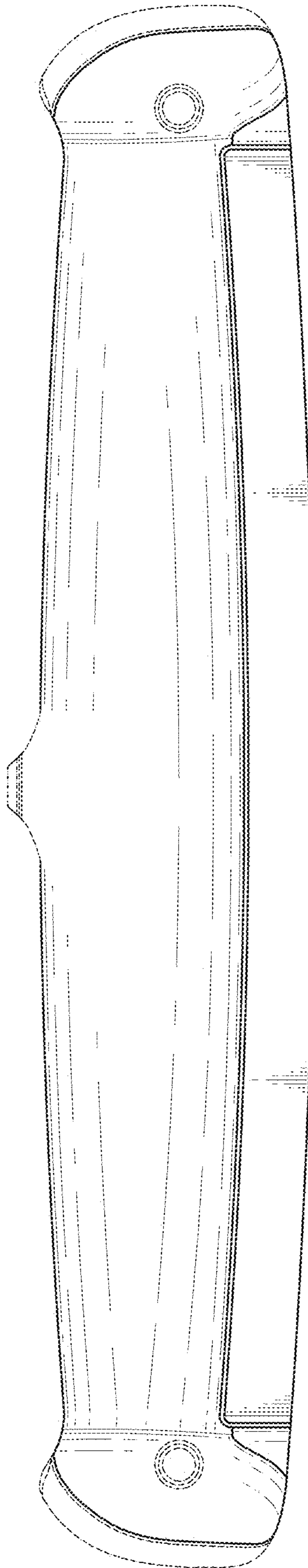


FIG. 6

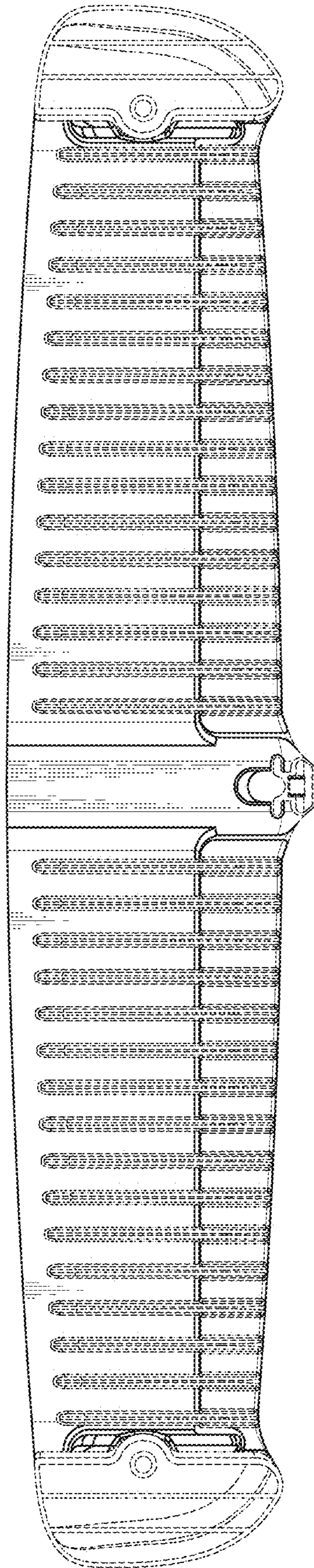


FIG. 7