



US00D929625S

(12) **United States Design Patent**
Yeh

(10) **Patent No.:** **US D929,625 S**

(45) **Date of Patent:** **** Aug. 31, 2021**

(54) **VEHICLE HEADLIGHT**

(71) Applicant: **Chun-Hung Yeh**, Jiangsu (CN)

(72) Inventor: **Chun-Hung Yeh**, Jiangsu (CN)

(**) Term: **15 Years**

(21) Appl. No.: **29/769,152**

(22) Filed: **Feb. 3, 2021**

(51) **LOC (13) Cl.** **26-06**

(52) **U.S. Cl.**
USPC **D26/28**

(58) **Field of Classification Search**
USPC D26/28-36, 139
CPC F21S 48/00; F21S 48/10; F21S 48/115;
F21S 48/225; F21S 48/1233; F21S
48/1266; F21S 48/1388; F21S 48/2268;
F21V 21/04; F21V 29/004; B60Q 9/13;
B60Q 9/135; B60Q 9/1375
See application file for complete search history.

(56) **References Cited**

U.S. PATENT DOCUMENTS

D593,233 S * 5/2009 Bai D26/28
D674,938 S * 1/2013 Lai D26/28

D743,065 S * 11/2015 Weil D26/28
D787,721 S * 5/2017 Lai D26/28
D803,432 S 11/2017 Choi
D809,682 S * 2/2018 Lin D26/28
D822,241 S * 7/2018 Lee D26/28
D824,058 S * 7/2018 Hong D26/28
D838,015 S 1/2019 McMahan et al.
D838,883 S 1/2019 Ko
D897,575 S 9/2020 Manzoni

* cited by examiner

Primary Examiner — Marcus A Jackson

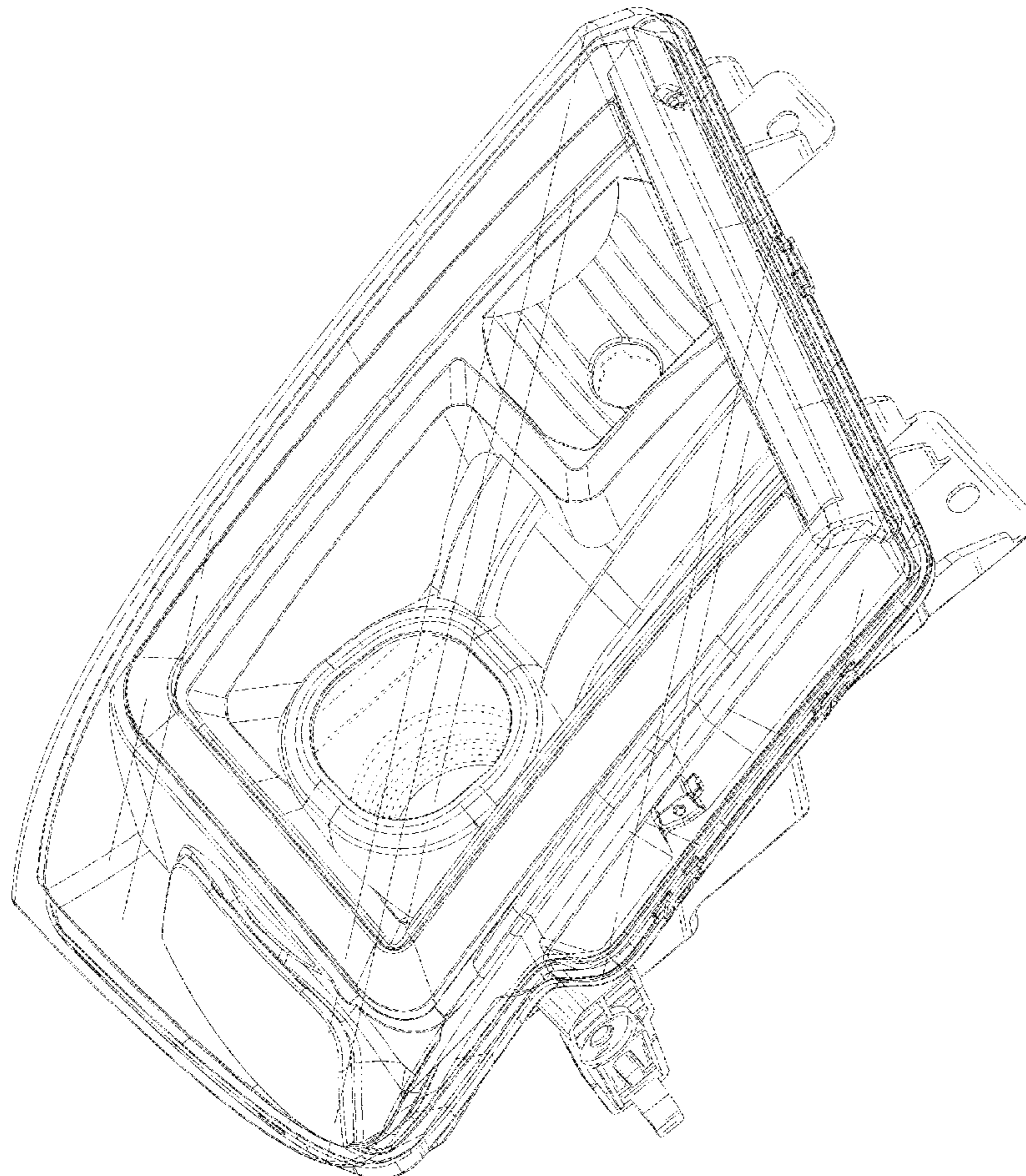
(57) **CLAIM**

The ornamental design for vehicle headlight, as shown and described.

DESCRIPTION

FIG. 1 is a perspective view of vehicle headlight showing our new design;
FIG. 2 is a front view thereof;
FIG. 3 is a back view thereof;
FIG. 4 is a left view thereof;
FIG. 5 is a right view thereof;
FIG. 6 is a top view thereof; and,
FIG. 7 is a bottom view thereof.
The broken lines shown on the drawings depict portions of the vehicle headlight that form no part of the claimed design.

1 Claim, 7 Drawing Sheets



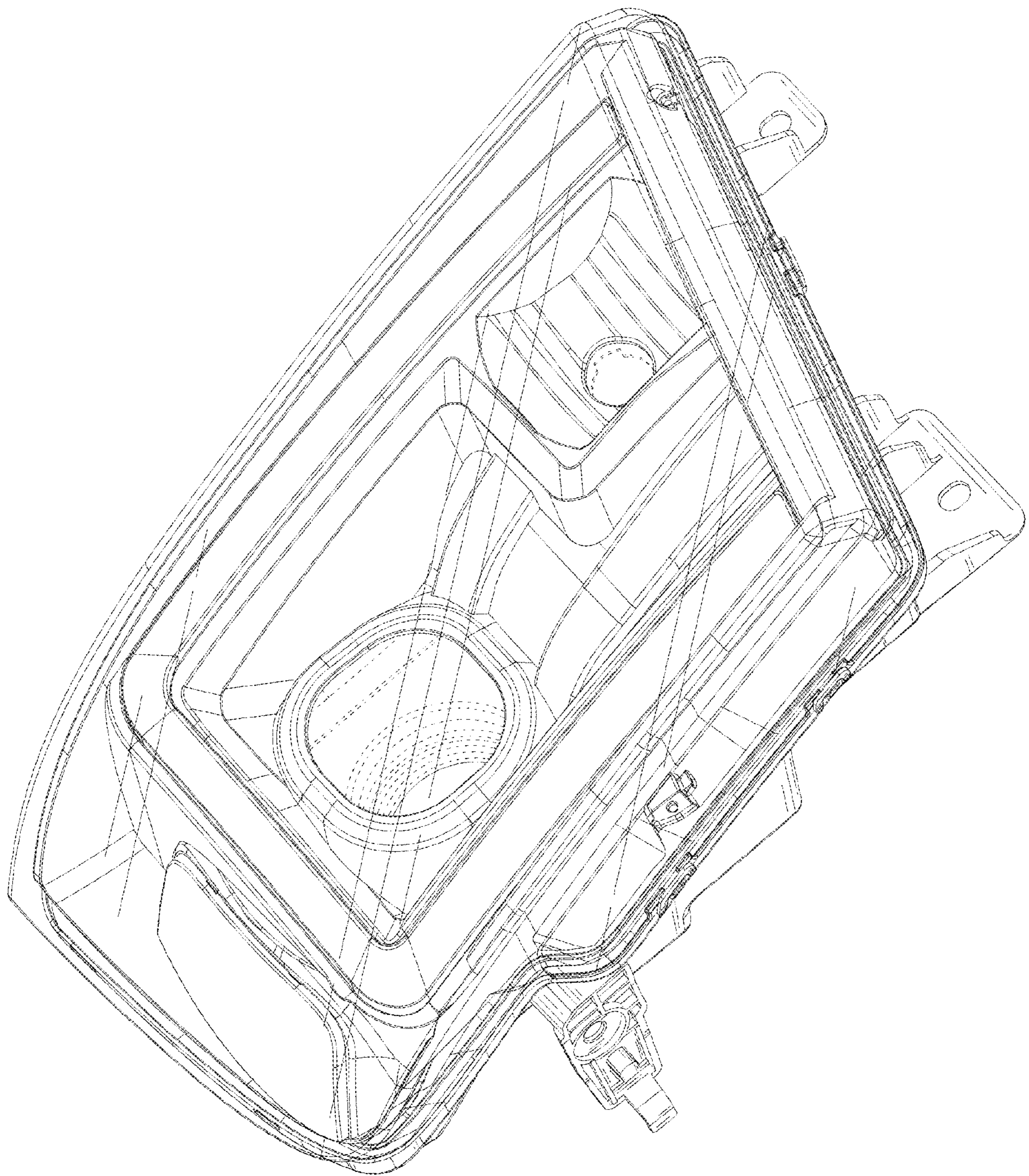


FIG. 1

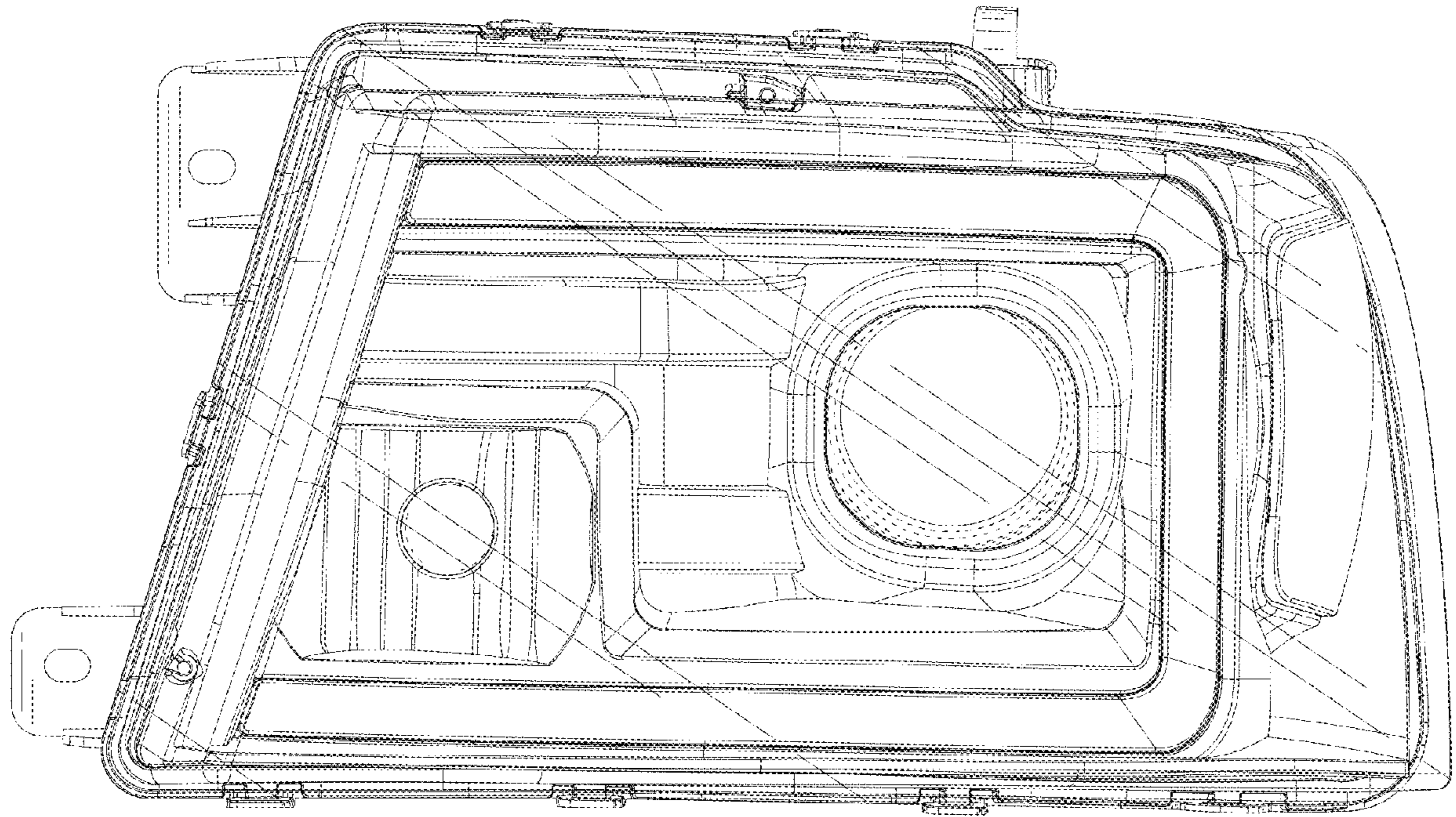


FIG. 2

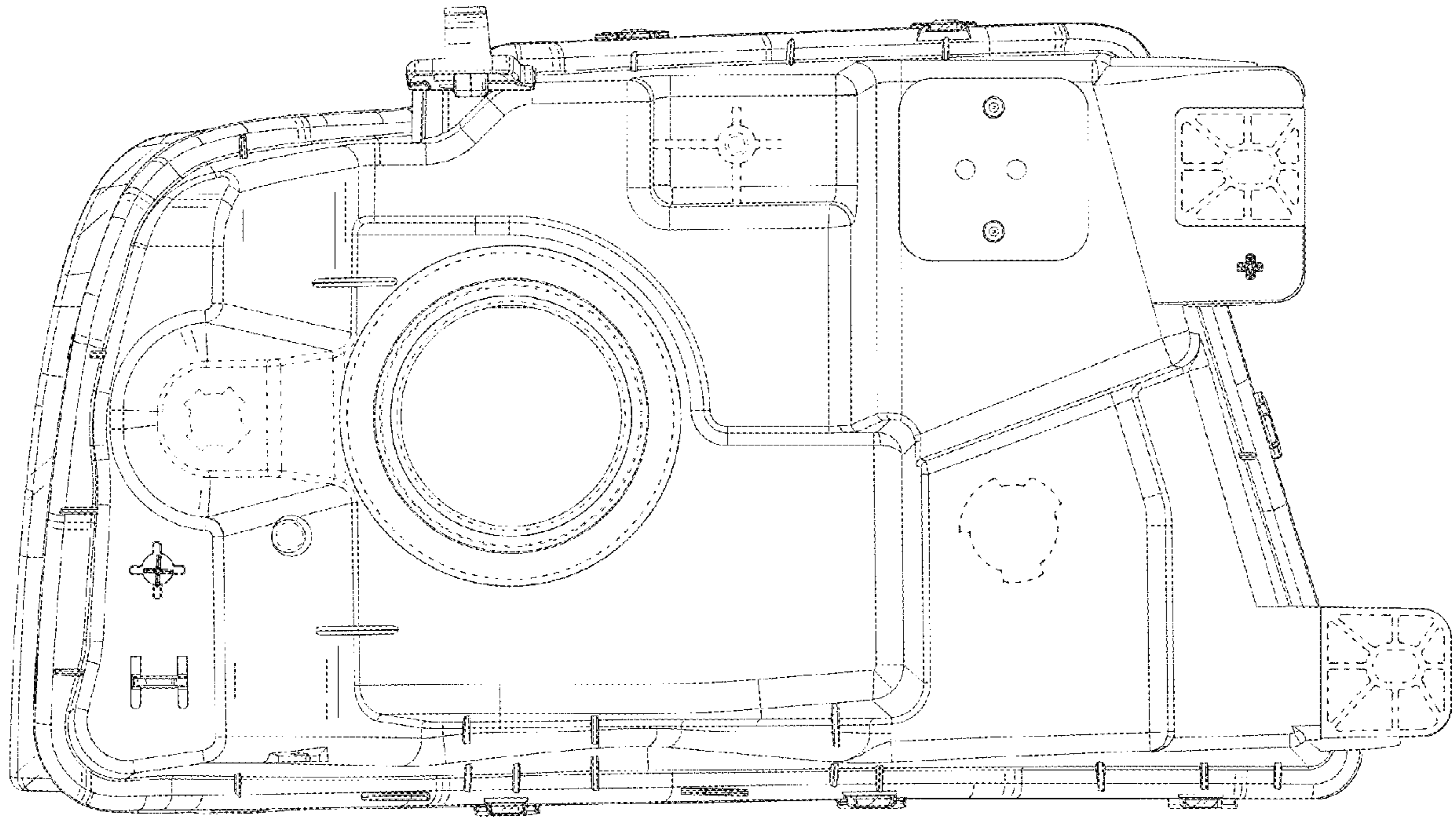


FIG. 3

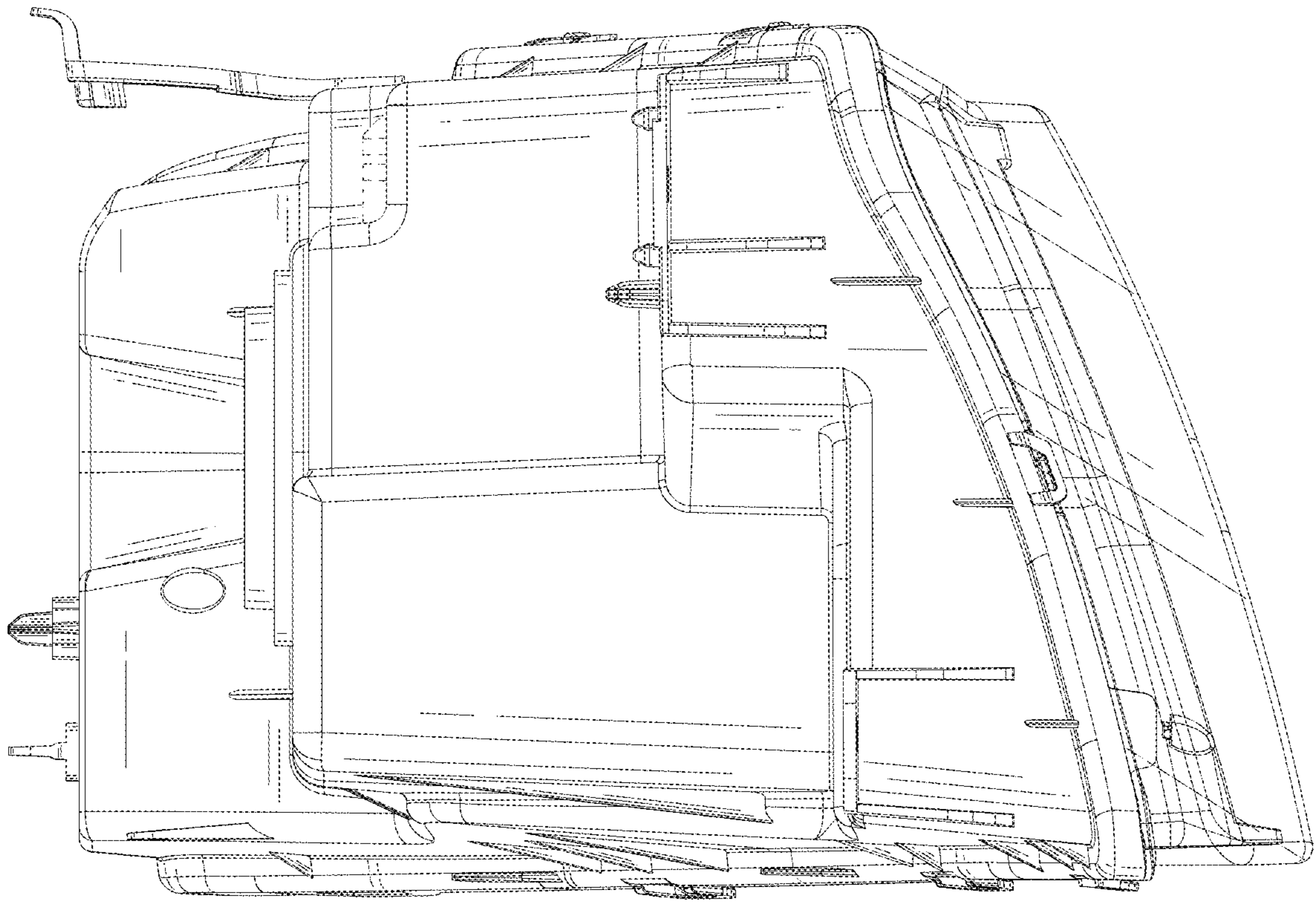


FIG. 4

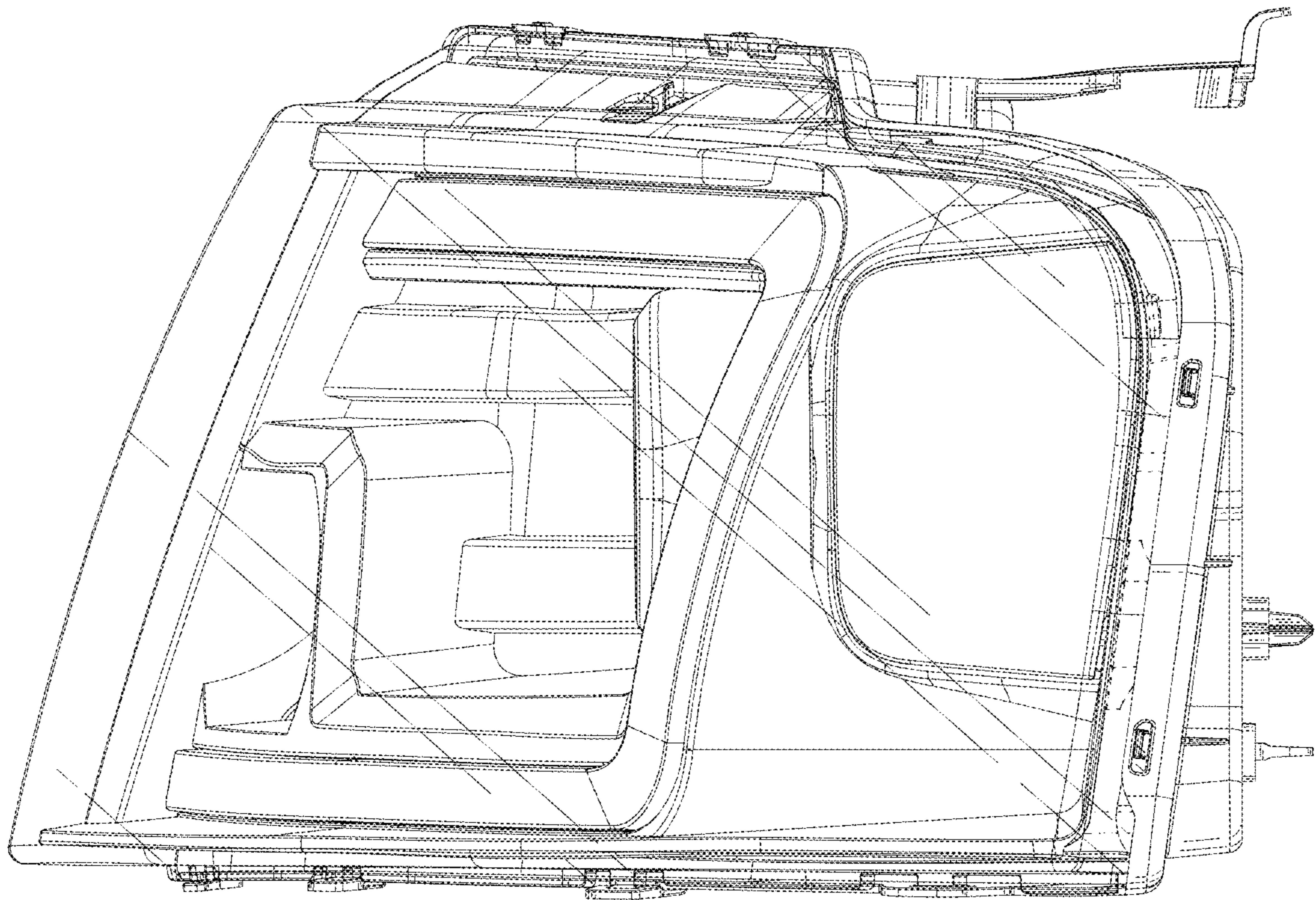


FIG. 5

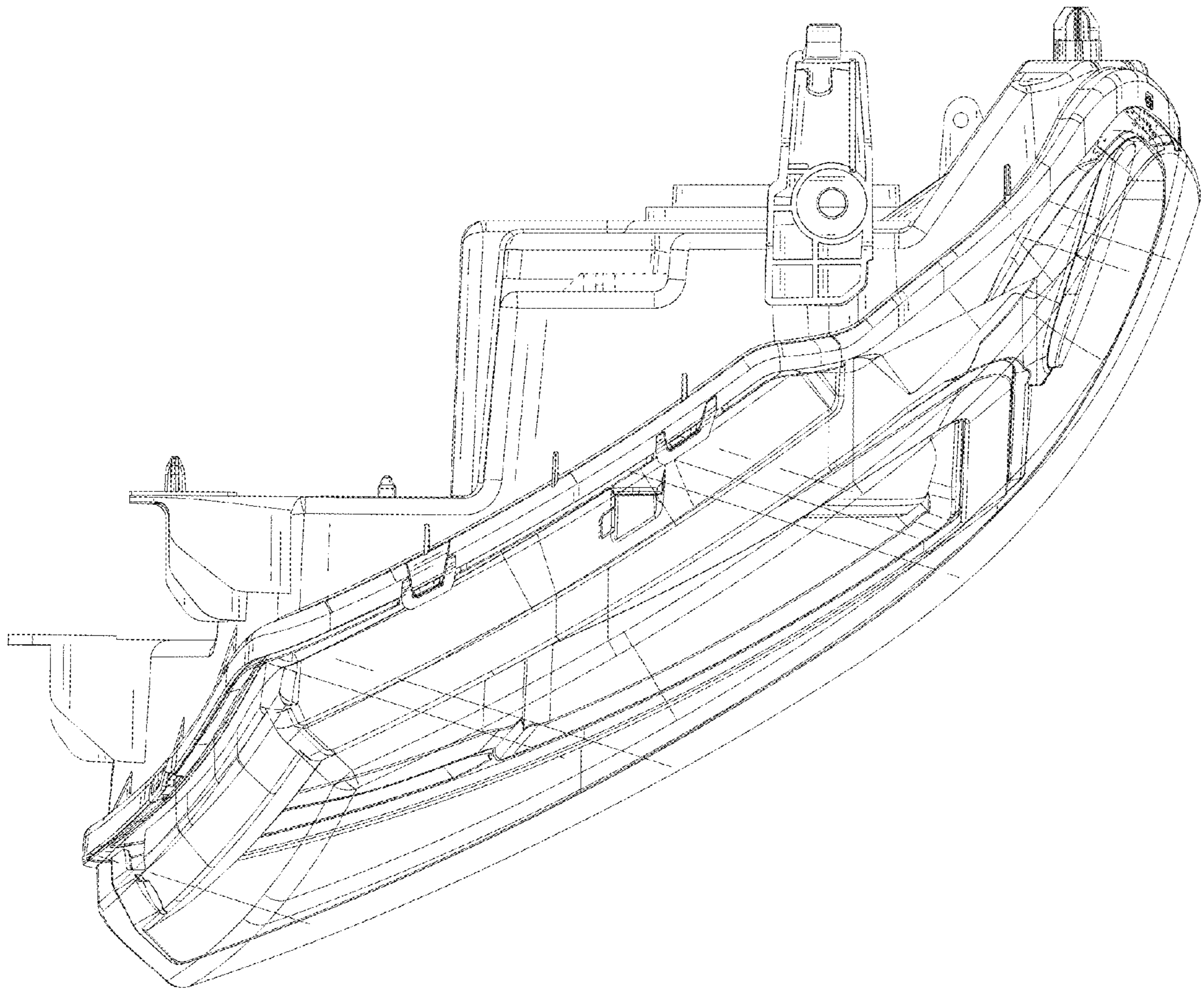


FIG. 6

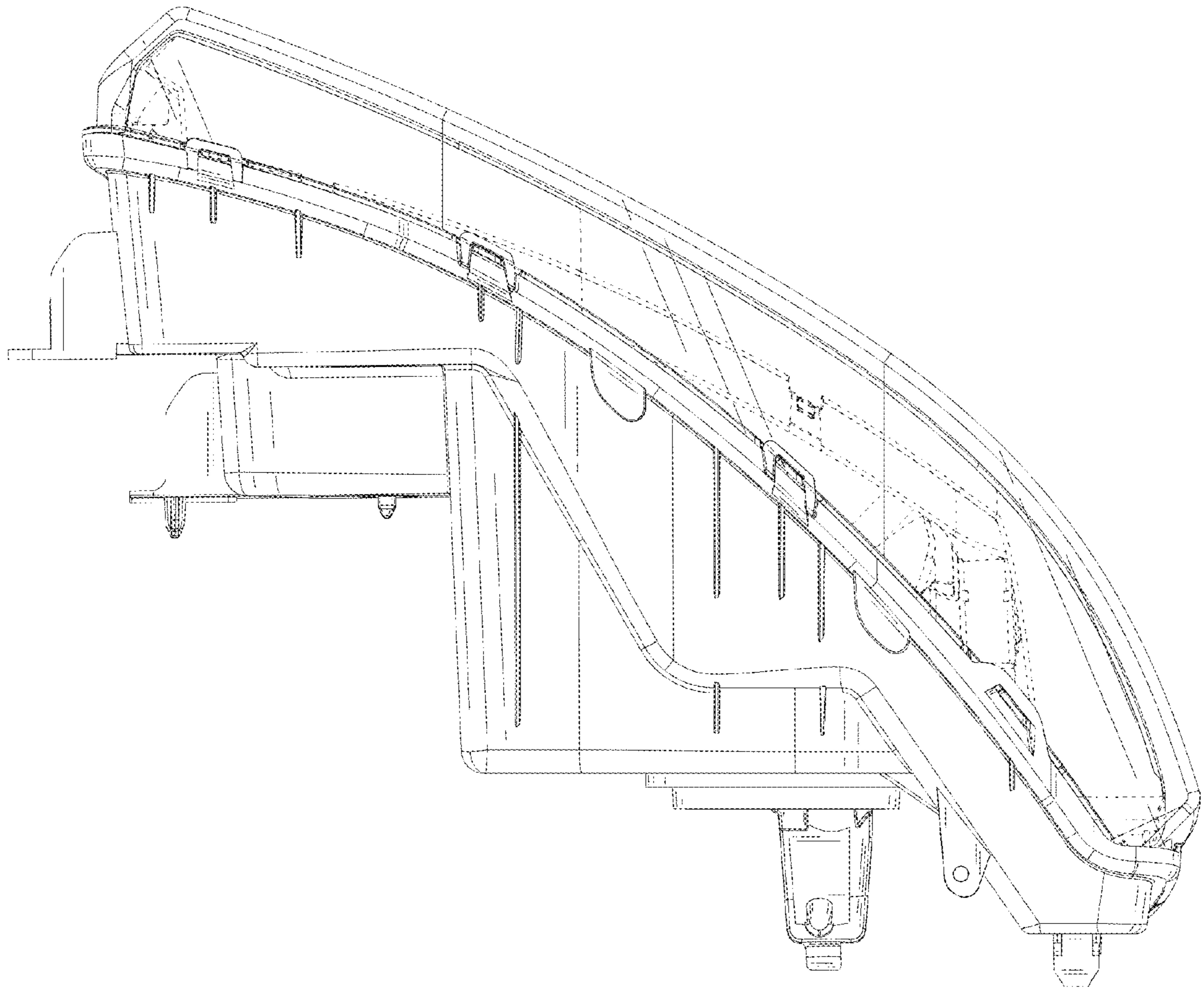


FIG. 7