



US00D929621S

(12) **United States Design Patent** (10) **Patent No.:** **US D929,621 S**
He (45) **Date of Patent:** **** Aug. 31, 2021**

(54) **VEHICLE LIGHT**

(71) Applicant: **HAICHEN AUTO PARTS CO., LTD.,**
Zhejiang (CN)

(72) Inventor: **Qiyu He,** Zhejiang (CN)

(73) Assignee: **HAICHEN AUTO PARTS CO., LTD.,**
Zhejiang (CN)

(**) Term: **15 Years**

(21) Appl. No.: **29/712,948**

(22) Filed: **Nov. 13, 2019**

(30) **Foreign Application Priority Data**

Oct. 8, 2019 (CN) 201930545060.5

(51) **LOC (13) Cl.** **26-06**

(52) **U.S. Cl.**
USPC **D26/28**

(58) **Field of Classification Search**
USPC D26/28-36, 139
CPC F21S 48/00; F21S 48/10; F21S 48/115;
F21S 48/225; F21S 48/1233; F21S
48/1266; F21S 48/1388; F21S 48/2268;
F21V 21/04; F21V 29/004; B60Q 9/13;
B60Q 9/135; B60Q 9/1375

See application file for complete search history.

(56) **References Cited**

U.S. PATENT DOCUMENTS

D595,437 S *	6/2009	Kurisu	D26/28
D674,522 S *	1/2013	Bieling	D26/28
D677,409 S *	3/2013	Binder	D26/28
D679,429 S *	4/2013	Frenzel	D26/28
D741,529 S *	10/2015	Glover	D26/28
D747,821 S *	1/2016	Yoshida	D26/28
D825,084 S *	8/2018	Haizuka	D26/28

* cited by examiner

Primary Examiner — Marcus A Jackson

(74) *Attorney, Agent, or Firm* — JCIP Global Inc.

(57) **CLAIM**

The ornamental design for a vehicle light, as shown.

DESCRIPTION

FIG. 1 is a perspective view of a vehicle light showing my new design;

FIG. 2 is a front view thereof;

FIG. 3 is a rear view thereof;

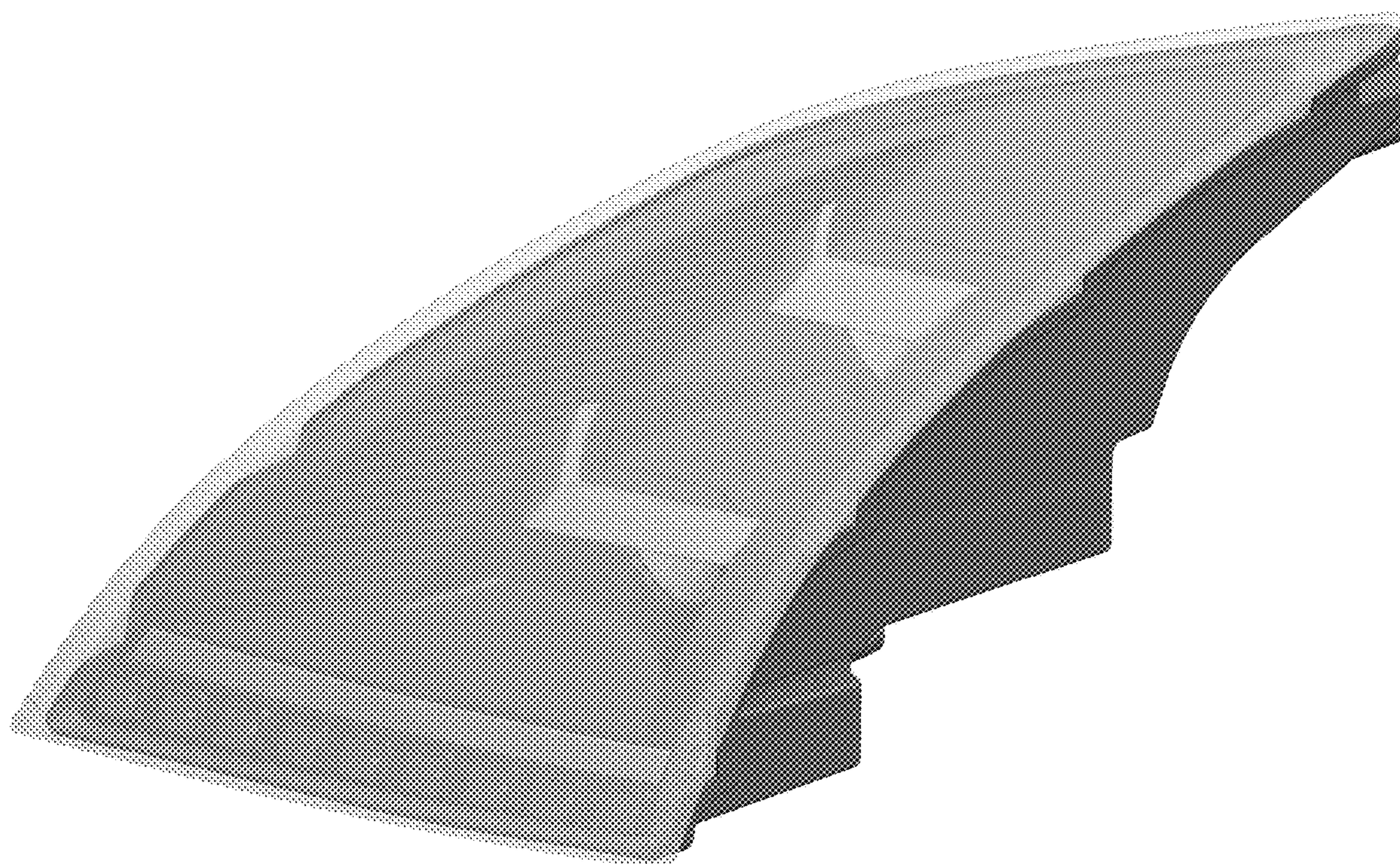
FIG. 4 is a left side view thereof;

FIG. 5 is a right side view thereof;

FIG. 6 is a top view thereof; and,

FIG. 7 is a bottom view thereof.

1 Claim, 7 Drawing Sheets



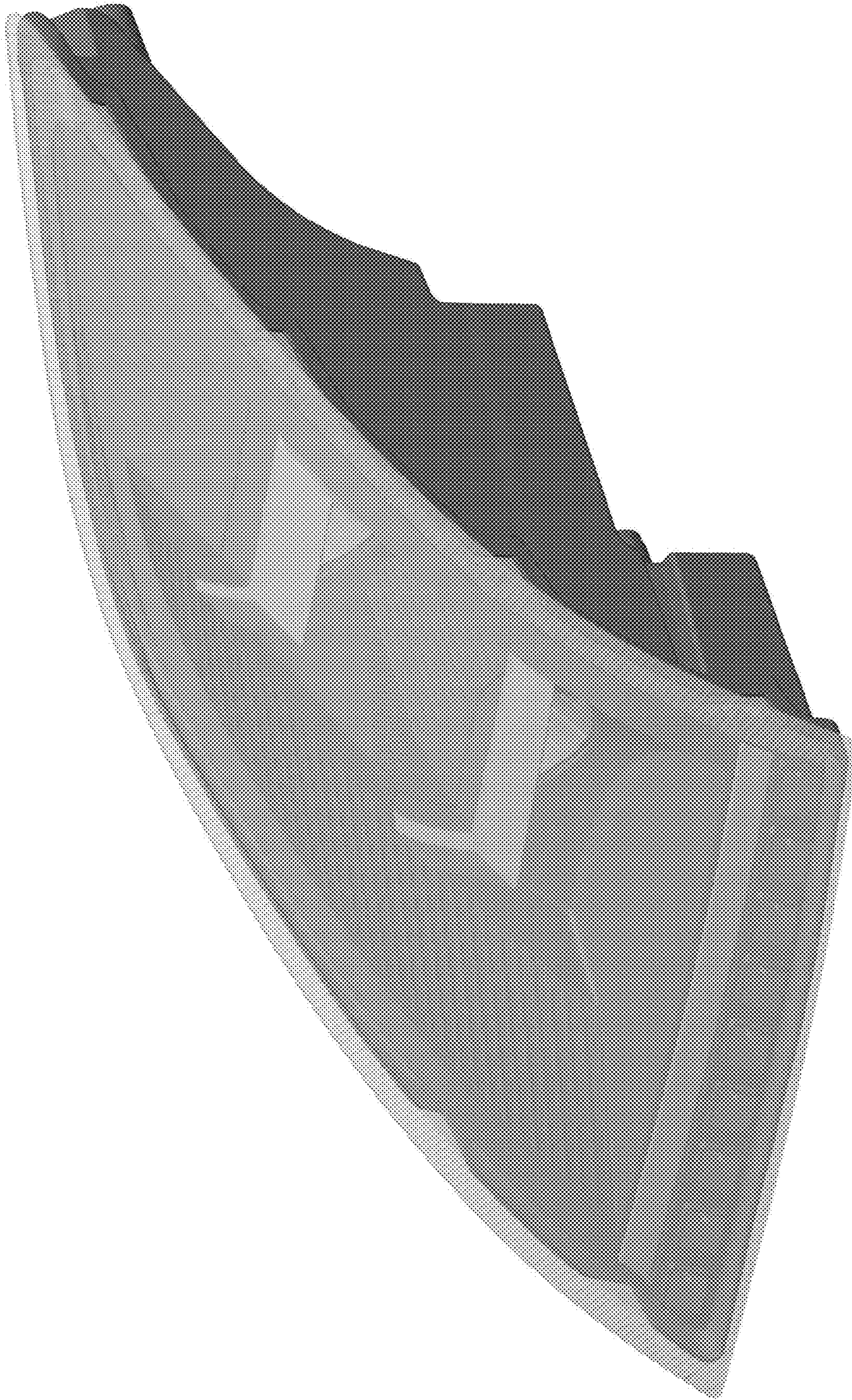


FIG. 1

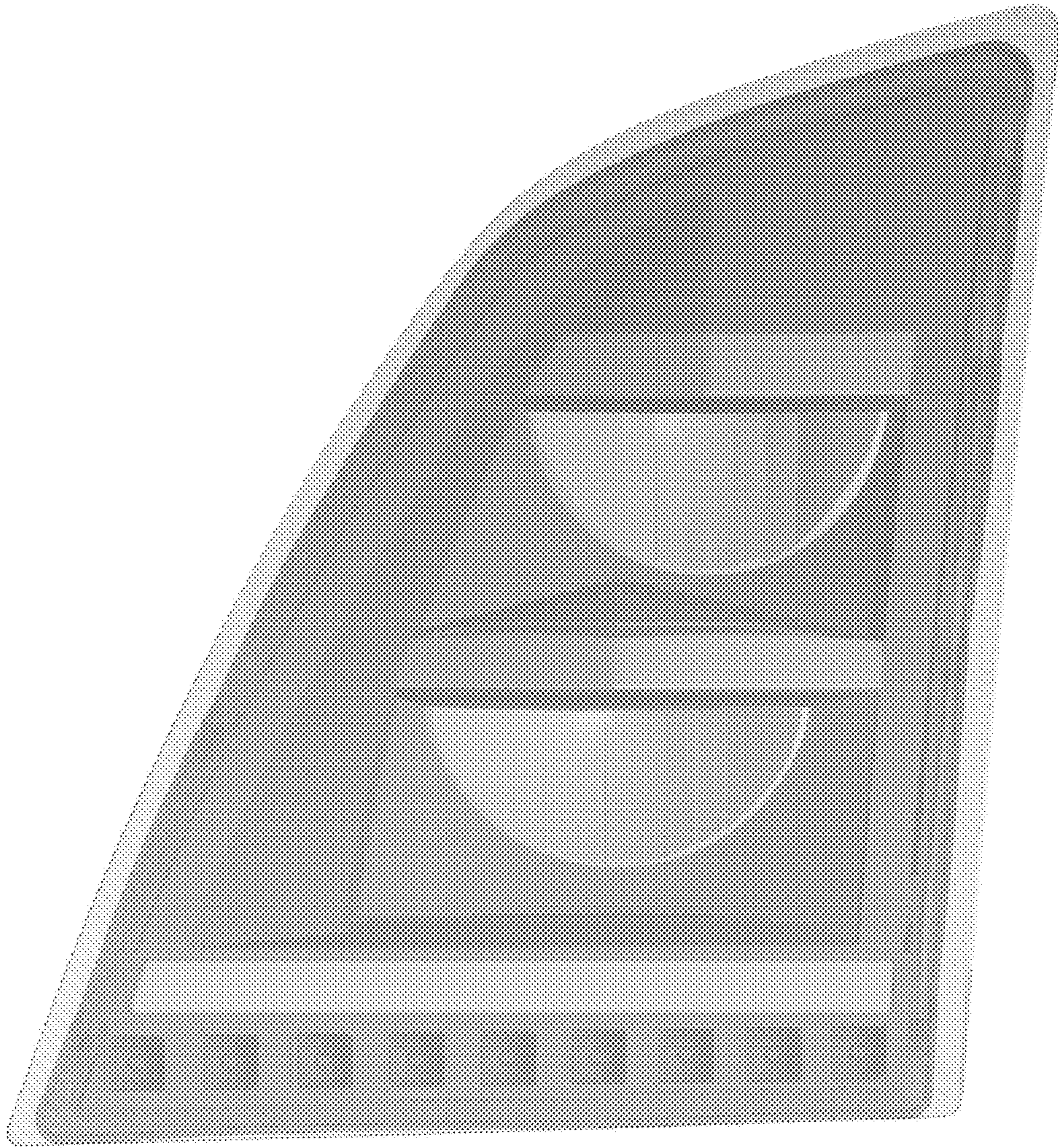


FIG. 2

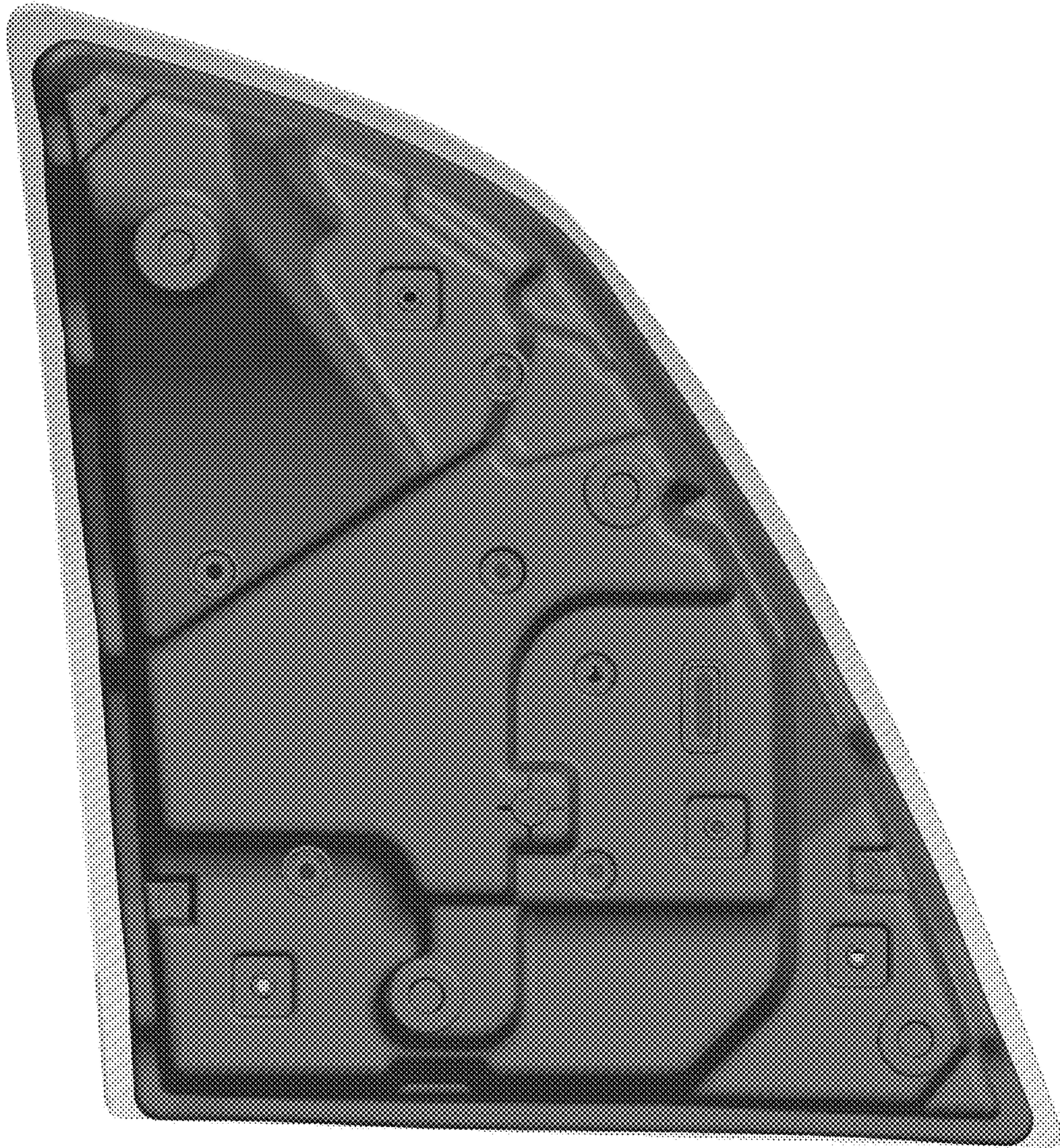


FIG. 3

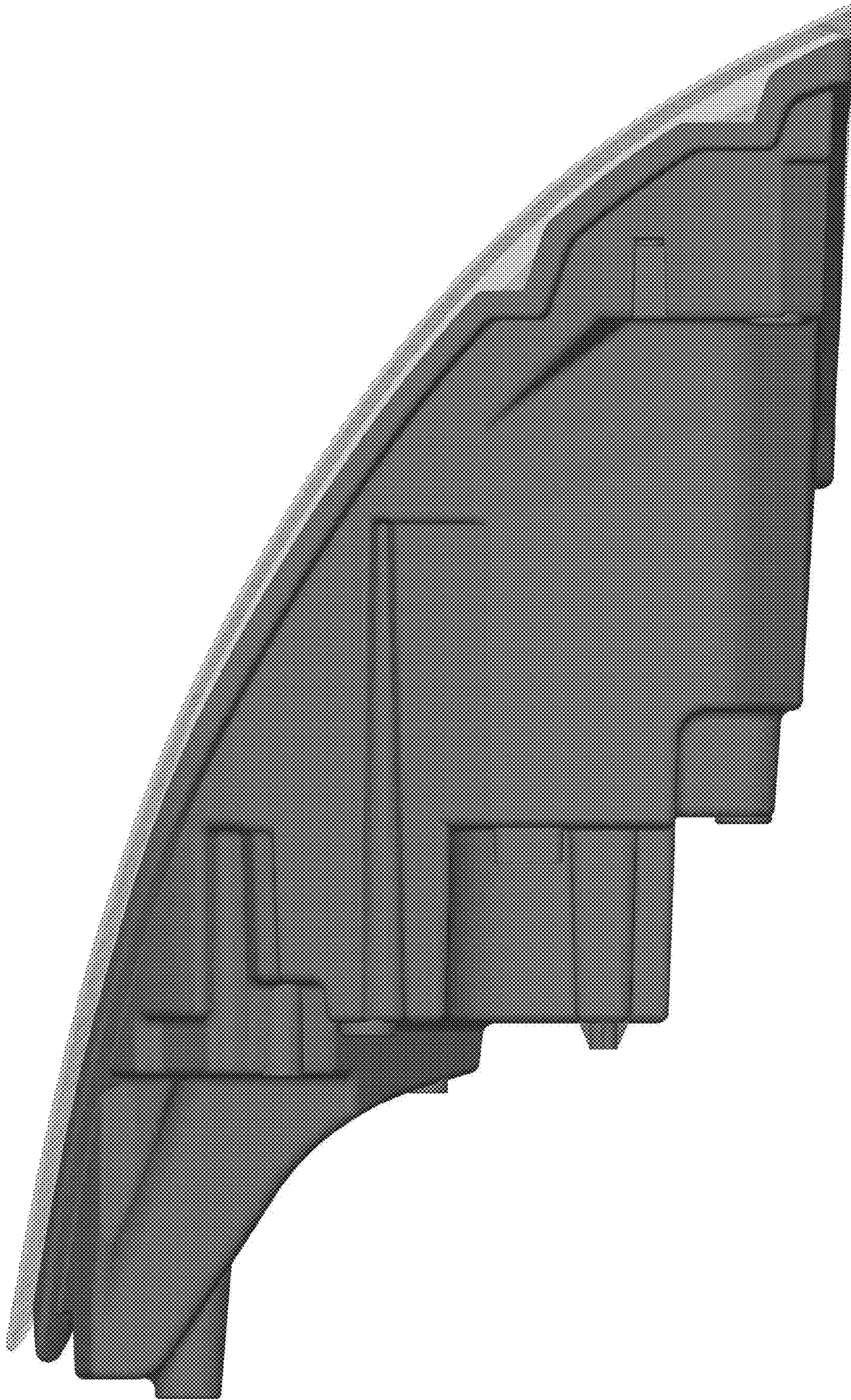


FIG. 4

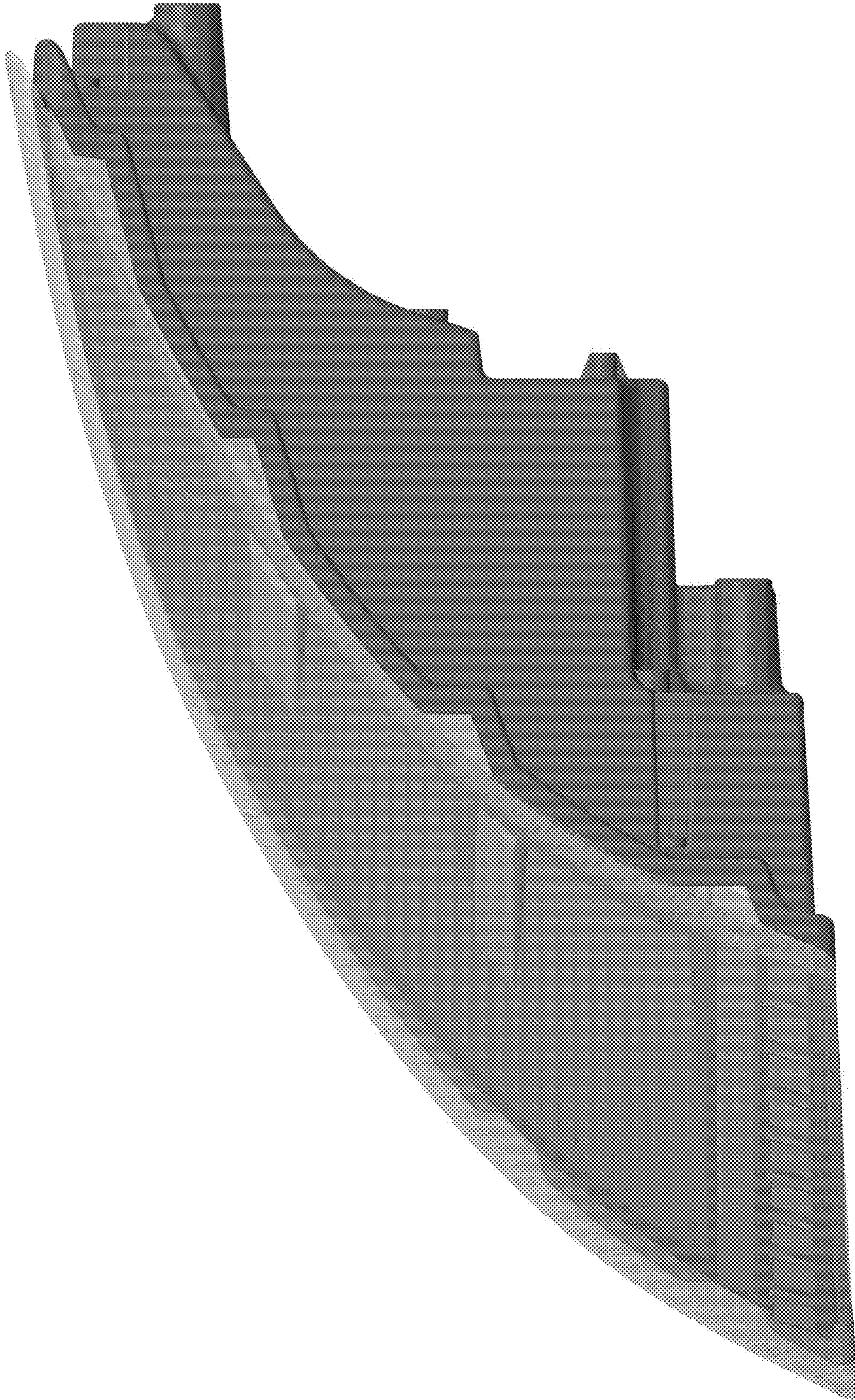


FIG. 5

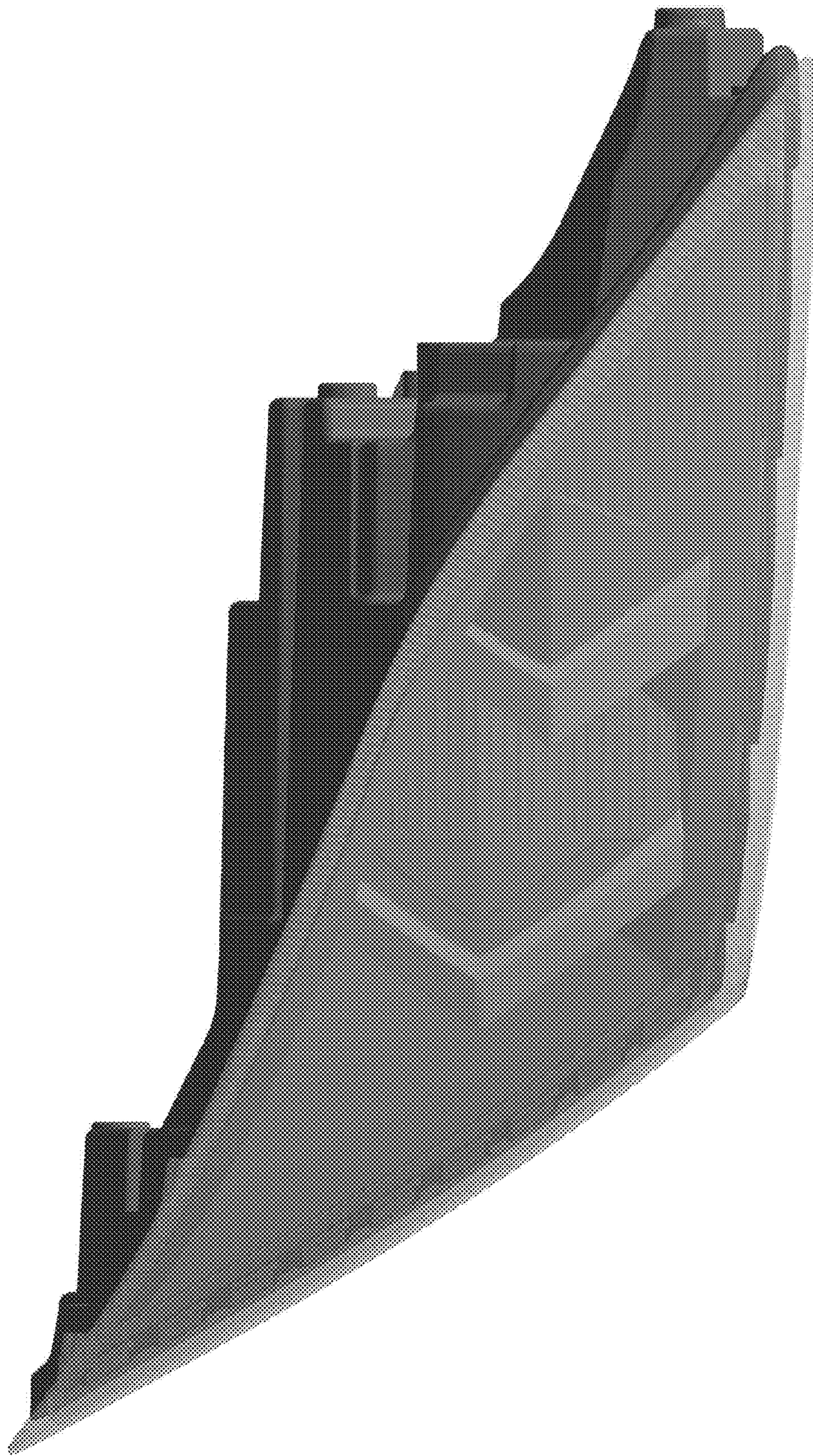


FIG. 6

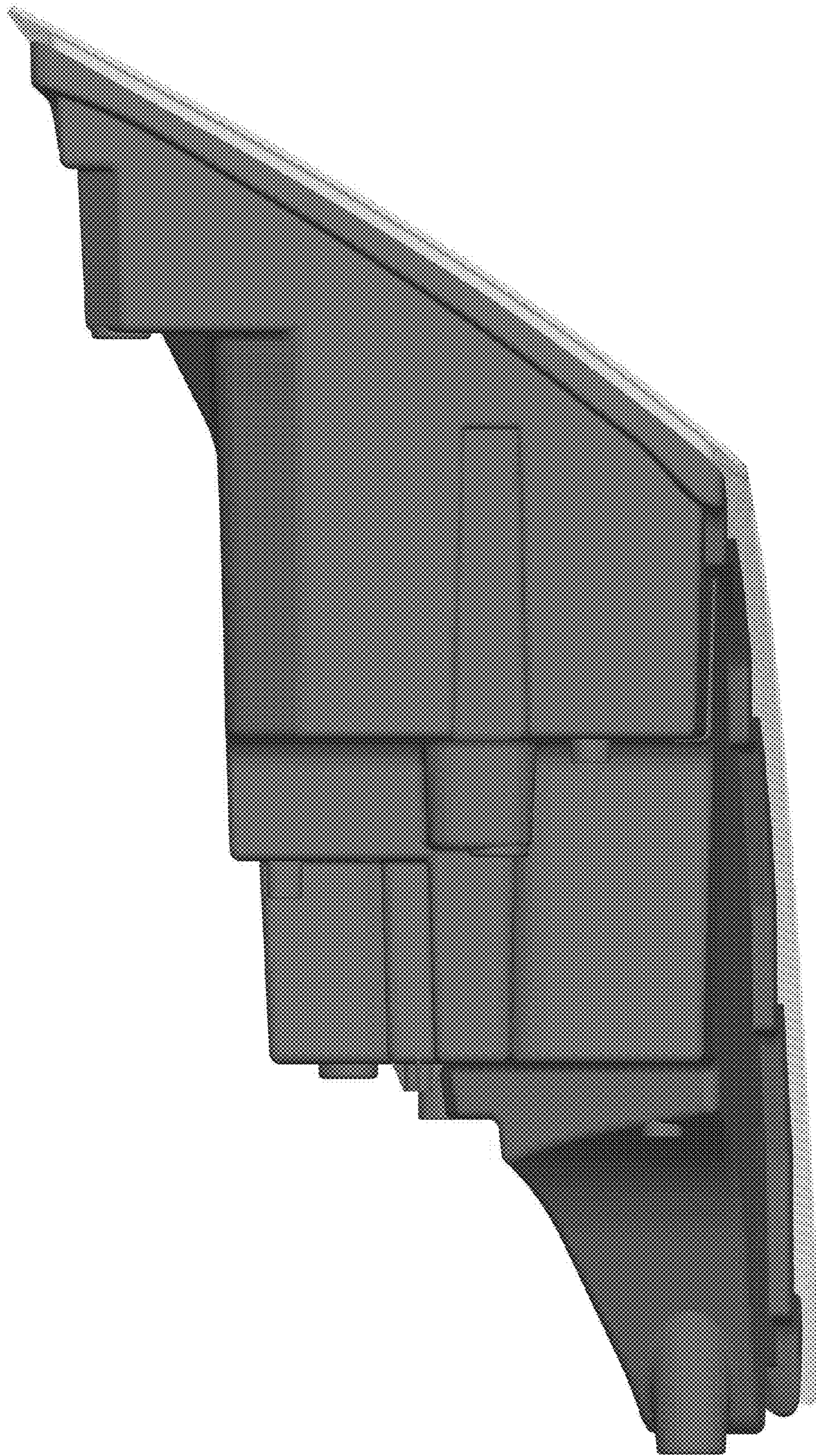


FIG. 7