



US00D929609S

(12) **United States Design Patent** (10) **Patent No.:** **US D929,609 S**
Su (45) **Date of Patent:** **** Aug. 31, 2021**

(54) **GATE**

FOREIGN PATENT DOCUMENTS

(71) Applicant: **EASYBABY PRODUCTS, INC.**,
Dallas, TX (US)

CN 302113336 * 10/2012
EM 001867961-0001 * 11/2013
EM 006886198-0001 * 10/2019
EM 006886198-0002 * 10/2019
JP D1432506 * 1/2012

(72) Inventor: **Shuicai Su**, Shangrao (CN)

(73) Assignee: **EASYBABY PRODUCTS, INC.**,
Dallas, TX (US)

OTHER PUBLICATIONS

(**) Term: **15 Years**

Dreambaby Retractable Gate YouTube <https://www.youtube.com/watch?v=ZQeiTCun238> Posted Mar. 4, 2010 (Year: 2010).*

(21) Appl. No.: **29/707,081**

* cited by examiner

(22) Filed: **Sep. 26, 2019**

Primary Examiner — Leanne Was-Englehart

(51) **LOC (13) Cl.** **25-02**

(52) **U.S. Cl.**
USPC **D25/48.5**

(57) **CLAIM**

(58) **Field of Classification Search**
USPC D25/38.1, 39, 48.1, 48.4, 48.5, 48.8
CPC E06B 9/08; E06B 9/60; E06B 9/80; E06B
2009/002; E06B 11/027; E06B 11/04
See application file for complete search history.

The ornamental design for a gate, as shown and described.

DESCRIPTION

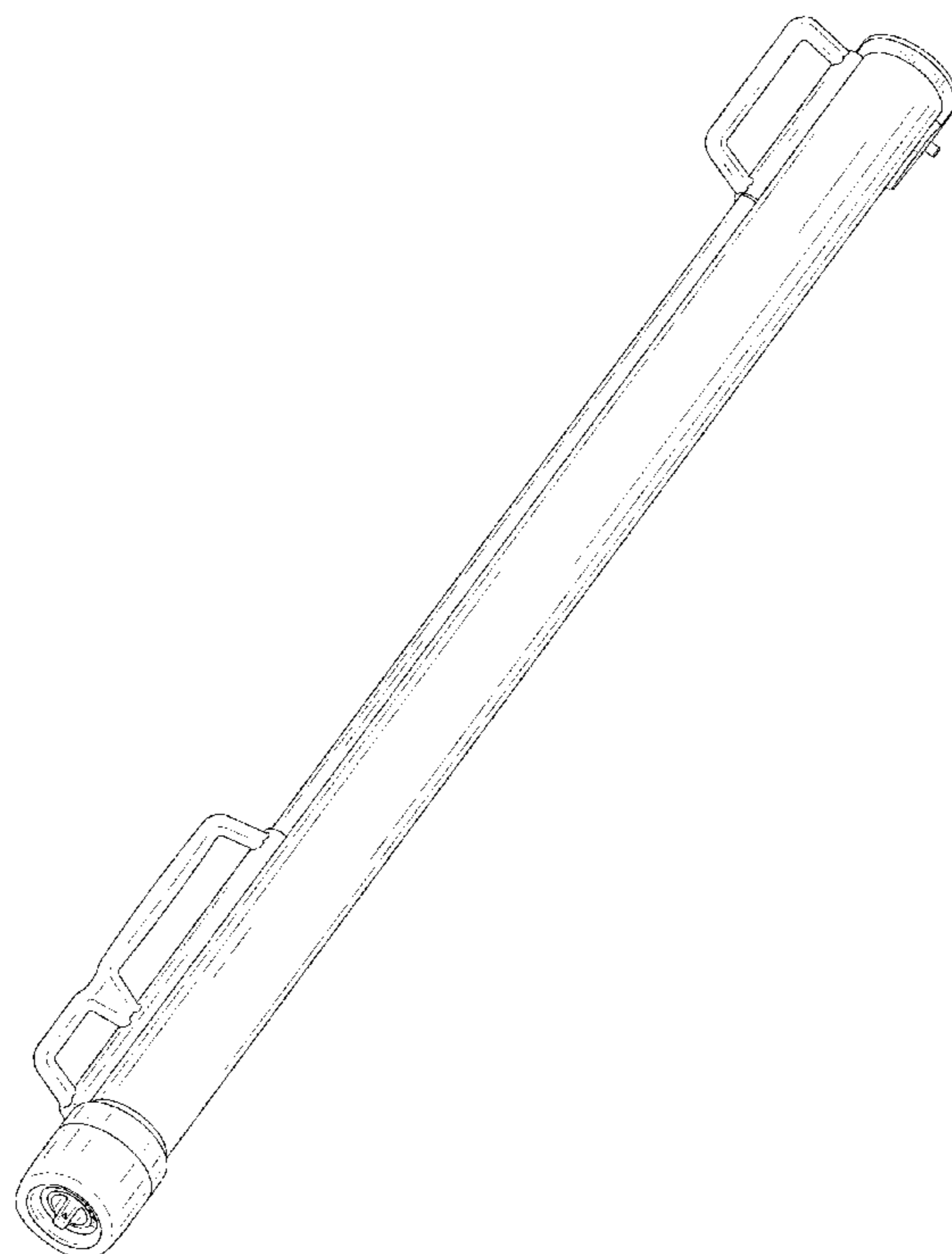
(56) **References Cited**

FIG. 1 is a perspective view of a gate showing my new design;
FIG. 2 is a front elevational view thereof;
FIG. 3 is a rear elevational view thereof;
FIG. 4 is a left side elevational view thereof;
FIG. 5 is a right side elevational view thereof;
FIG. 6 is an enlarged top plan view thereof; and,
FIG. 7 is an enlarged bottom plan view thereof.
The broken lines in the drawings depict portions of the gate that form no part of the claimed design.

U.S. PATENT DOCUMENTS

D620,129 S * 7/2010 Lundh D25/48.5
D621,957 S * 8/2010 Lundh D25/48.5
D666,307 S * 8/2012 Lundh D25/48.1
D751,729 S * 3/2016 Le Clair D25/38.1
10,337,244 B2 * 7/2019 Wang E06B 9/08
2013/0299101 A1 * 11/2013 Wang E06B 9/13
160/303
2018/0044982 A1 * 2/2018 Wang E06B 9/08
2019/0078382 A1 * 3/2019 Wang E06B 9/08
2019/0218854 A1 * 7/2019 Fusco E06B 9/08

1 Claim, 7 Drawing Sheets



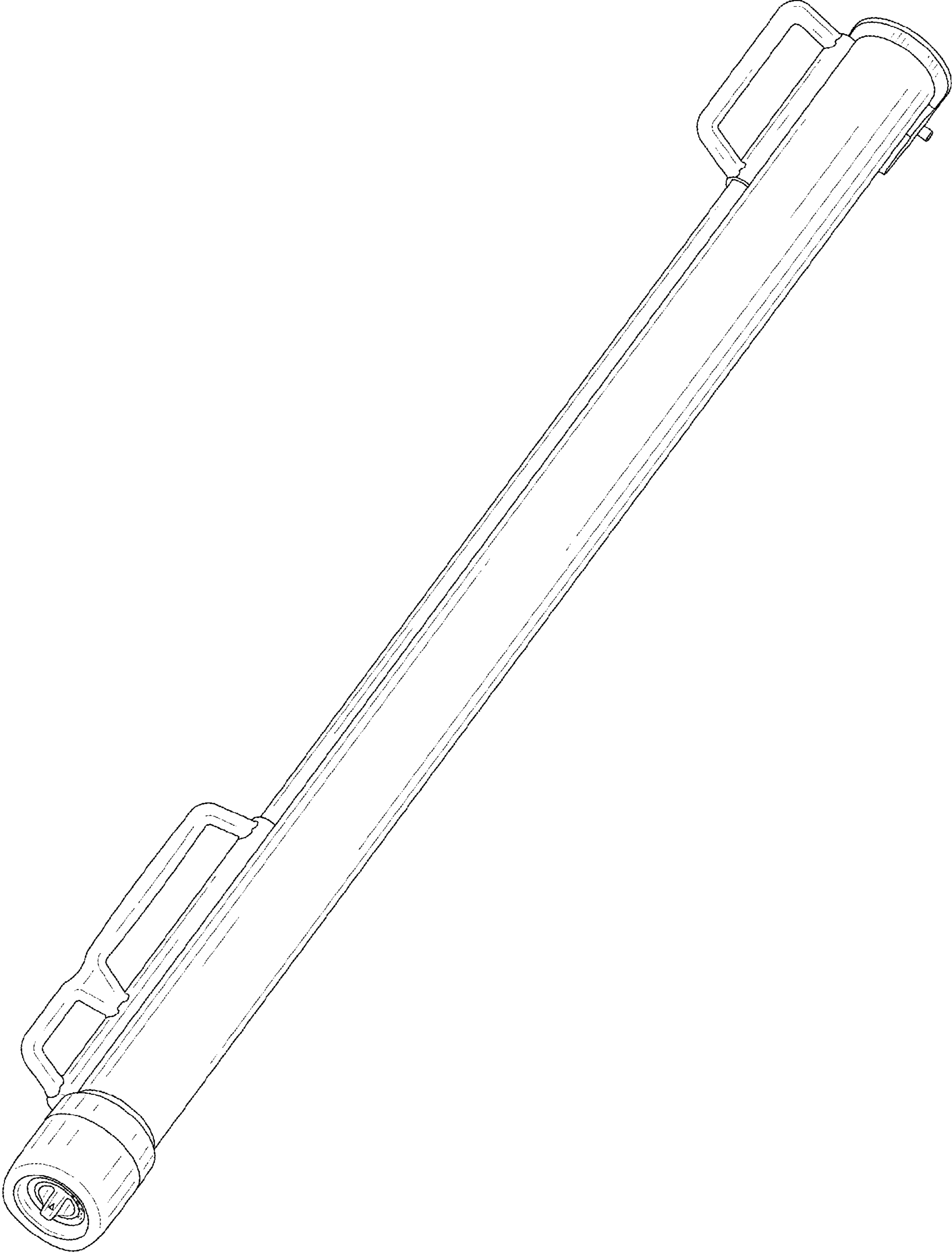


FIG. 1

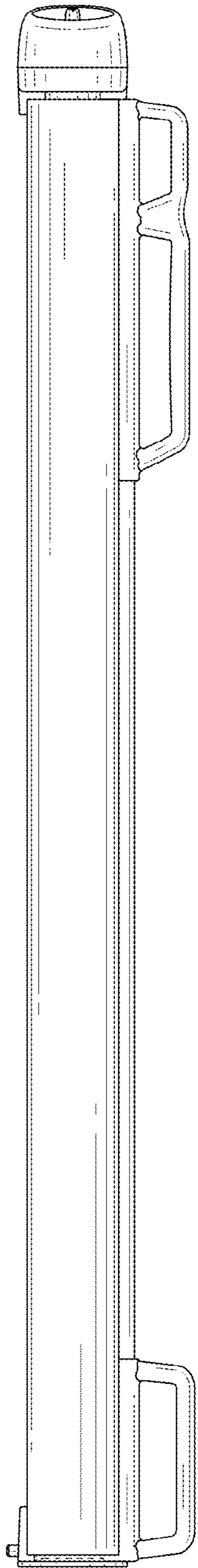


FIG. 2

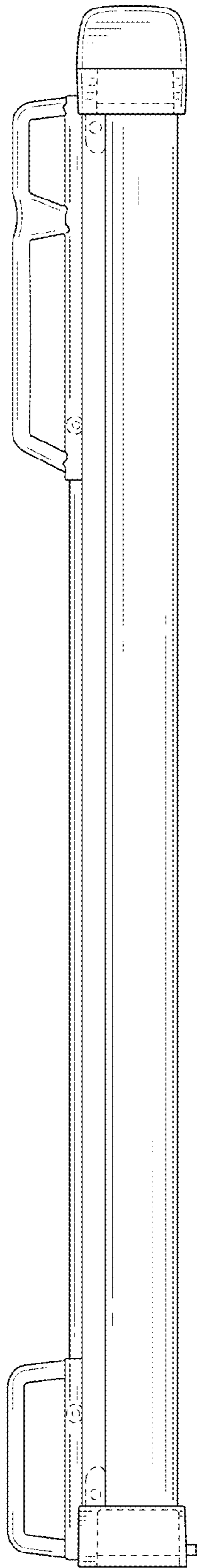


FIG. 3

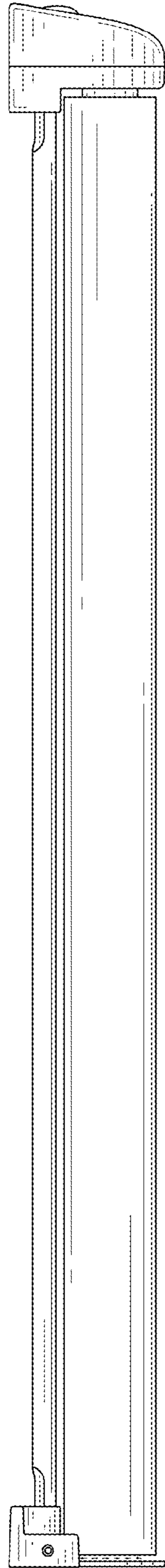


FIG. 4

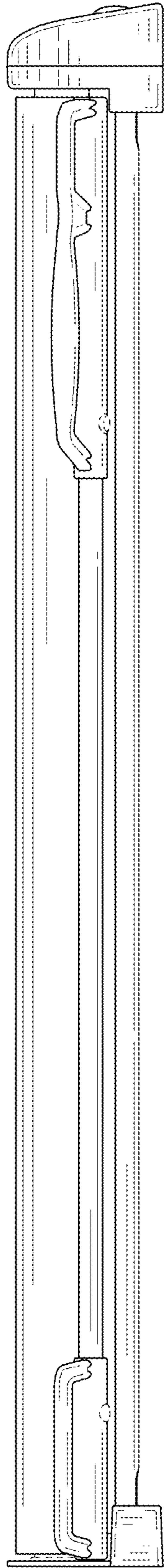


FIG. 5

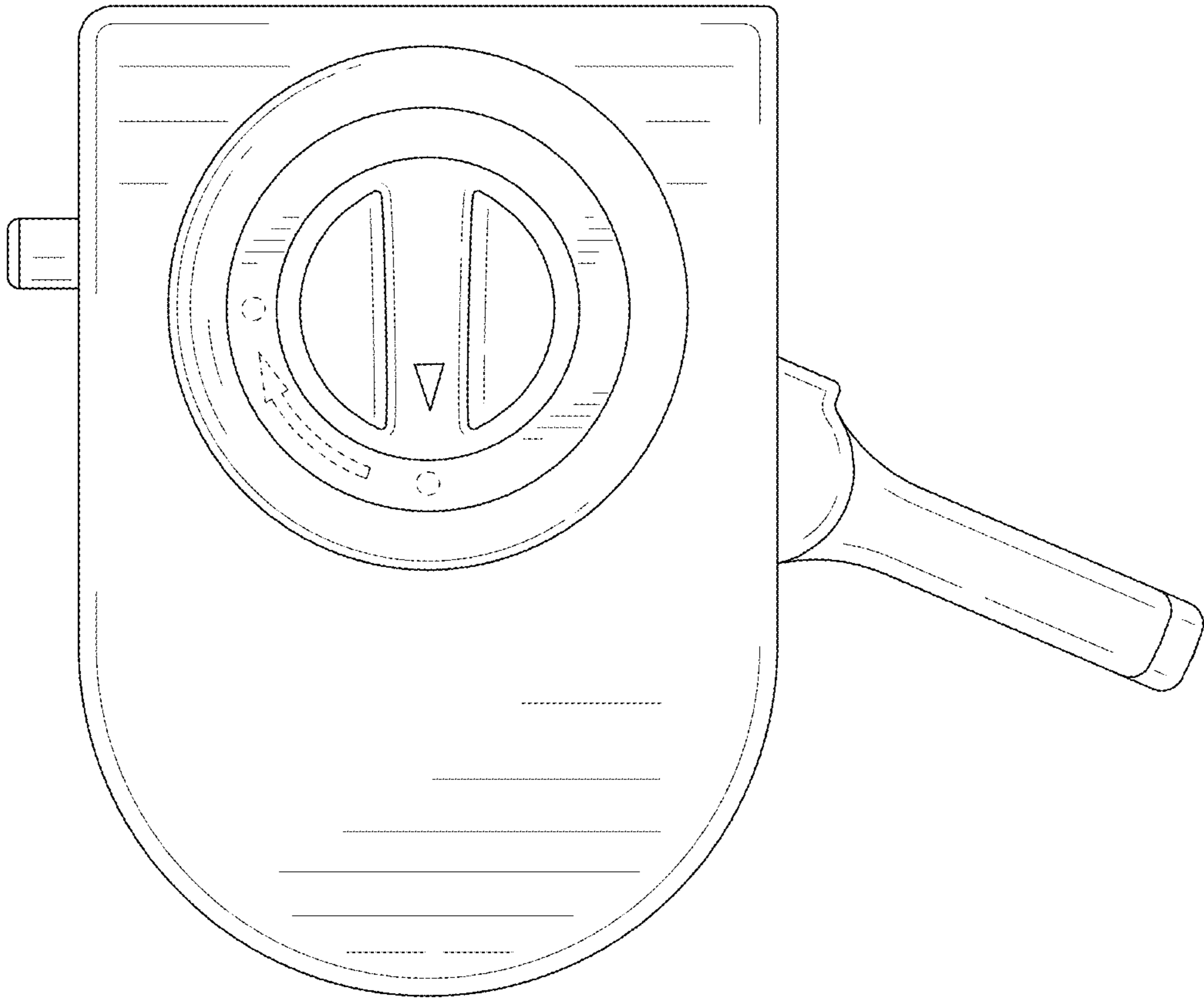


FIG. 6

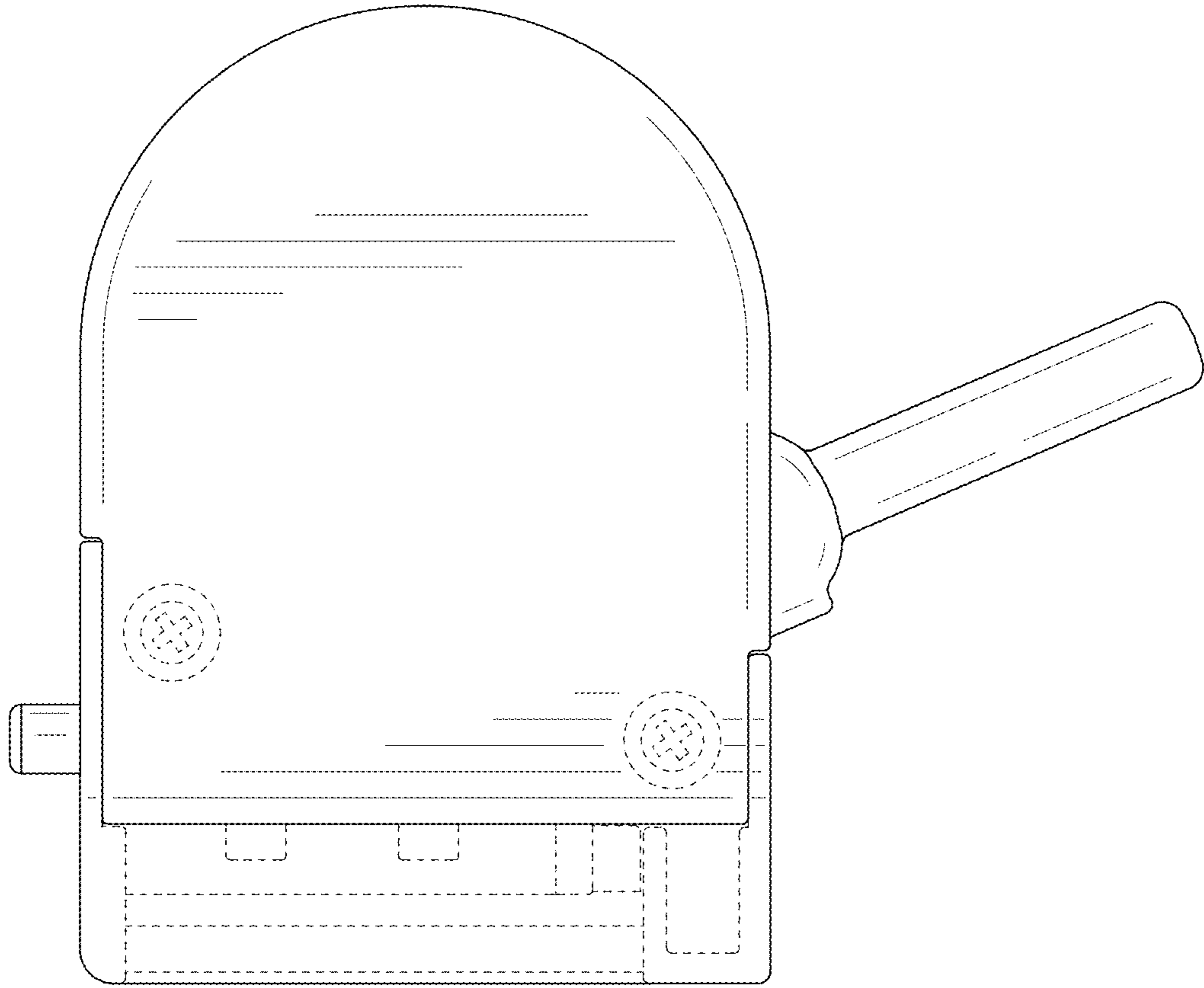


FIG. 7