



US00D929607S

(12) **United States Design Patent** (10) **Patent No.:** **US D929,607 S**  
**Hinojosa et al.** (45) **Date of Patent:** **\*\* \*Aug. 31, 2021**

(54) **PERFUSION MODULE LID WITHOUT PORTS**

(71) Applicant: **Emulate, Inc.**, Boston, MA (US)

(72) Inventors: **Christopher David Hinojosa**, Cambridge, MA (US); **Joshua Gomes**, Somerville, MA (US)

(73) Assignee: **EMULATE, INC.**, Boston, MA (US)

(\*) Notice: This patent is subject to a terminal disclaimer.

(\*\*) Term: **15 Years**

(21) Appl. No.: **29/736,057**

(22) Filed: **May 27, 2020**

**Related U.S. Application Data**

(63) Continuation of application No. 29/701,966, filed on Aug. 15, 2019, now Pat. No. Des. 888,983, which is a continuation of application No. 29/570,865, filed on Jul. 12, 2016, now Pat. No. Des. 860,471.

(51) **LOC (13) Cl.** ..... **24-02**

(52) **U.S. Cl.**  
USPC ..... **D24/224**

(58) **Field of Classification Search**  
USPC ..... D24/107, 121, 133, 183, 184, 224-225, D24/227, 233; D6/596, 601; D9/523, D9/547, 549, 550, 724, 732  
CPC ..... A61G 1/04-048; A61G 5/12-128; B01L 3/00  
See application file for complete search history.

(56) **References Cited**

**U.S. PATENT DOCUMENTS**

D803,173 S \* 11/2017 Levner ..... D13/199  
D803,416 S \* 11/2017 Leaver ..... D24/224

D816,861 S \* 5/2018 Levner ..... D24/224  
D842,493 S \* 3/2019 Levner ..... D24/224  
D860,471 S \* 9/2019 Hinojosa ..... D24/224  
D872,023 S \* 1/2020 Huang ..... D13/124  
D888,270 S \* 6/2020 Thompson, II ..... D24/224  
D888,273 S \* 6/2020 Thompson, II ..... D24/224  
D888,983 S \* 6/2020 Hinojosa ..... D24/224  
2009/0311796 A1 \* 12/2009 Griss ..... C12Q 1/54  
436/166  
2014/0273223 A1 \* 9/2014 Cho ..... C12N 5/0062  
435/396  
2016/0243548 A1 \* 8/2016 Bhagat ..... B01L 3/502715  
2017/0055522 A1 \* 3/2017 Levner ..... B01L 3/502707  
2018/0008980 A1 \* 1/2018 Levner ..... G01N 33/5005  
2018/0016537 A1 \* 1/2018 Levner ..... C12M 29/20  
2018/0320125 A1 \* 11/2018 Levner ..... C12M 23/16  
2020/0181555 A1 \* 6/2020 Hinojosa ..... G01N 1/18  
2020/0392438 A1 \* 12/2020 Lewis ..... C12M 29/14

\* cited by examiner

*Primary Examiner* — Vy N Koenig

(74) *Attorney, Agent, or Firm* — Medlen & Carroll, LLP

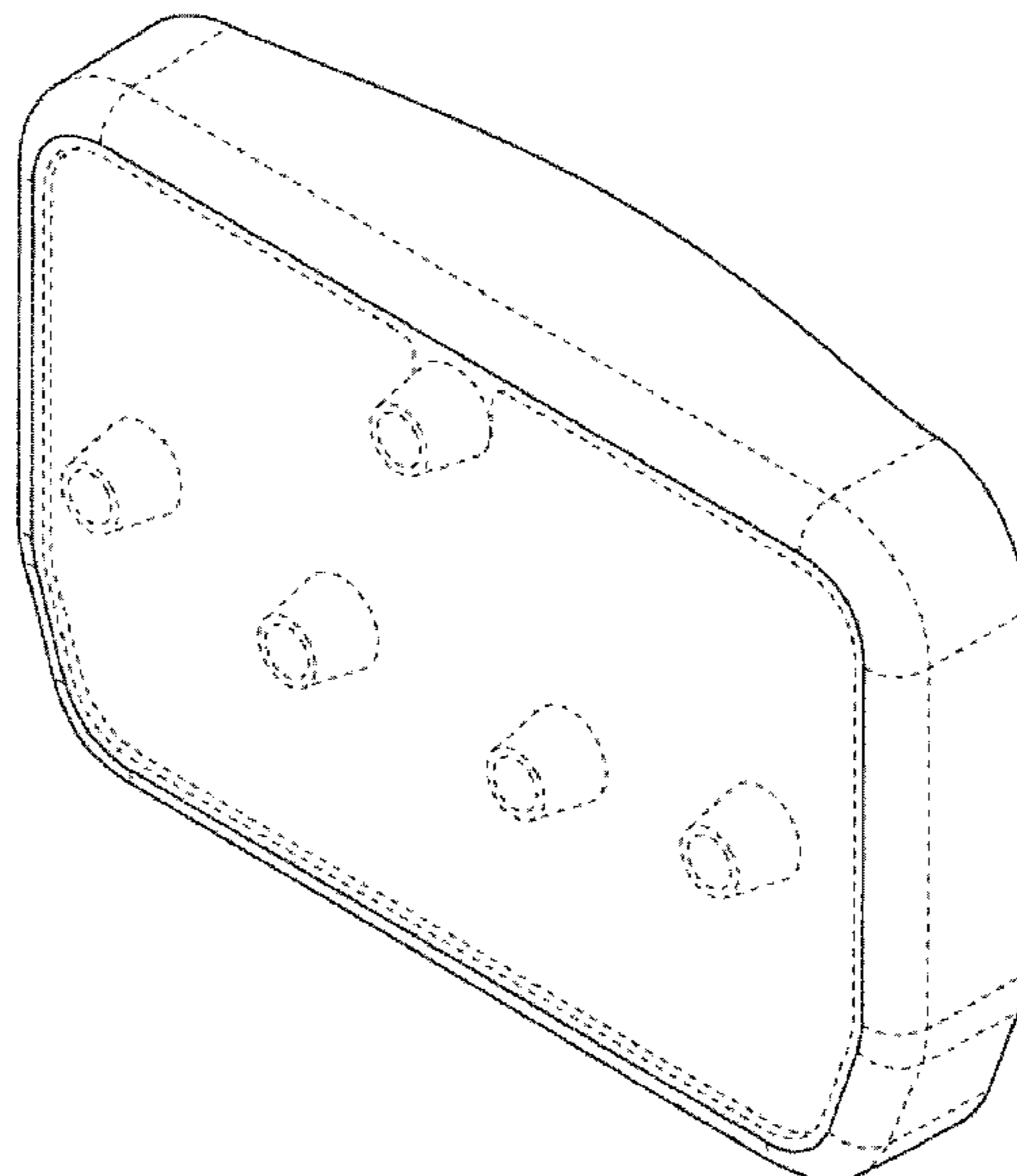
(57) **CLAIM**

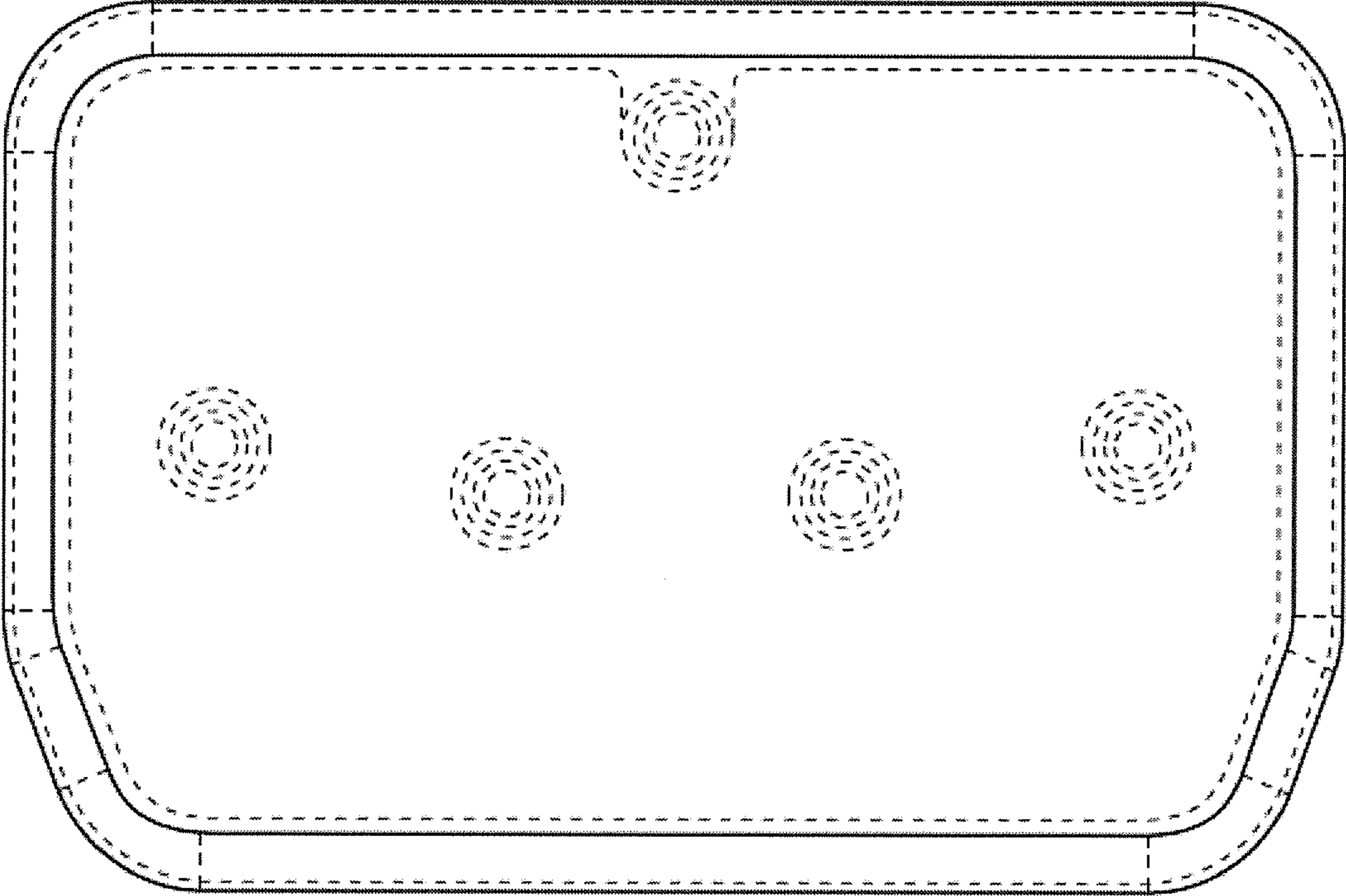
The ornamental design for a perfusion module lid without ports, as shown and described.

**DESCRIPTION**

FIG. 1 is a top plan view of an ornamental perfusion module lid without ports.  
FIG. 2, is a bottom plan view, thereof.  
FIG. 3 is a left side elevational view, thereof.  
FIG. 4 is a right side elevational view, thereof.  
FIG. 5 is a front side elevational view, thereof.  
FIG. 6 is a rear side elevational view, thereof; and,  
FIG. 7 is a top elevational view, thereof.  
The broken lines in the drawings depict features of the perfusion module lid without ports that do not form part of the claimed design.

**1 Claim, 7 Drawing Sheets**





**FIG. 1**

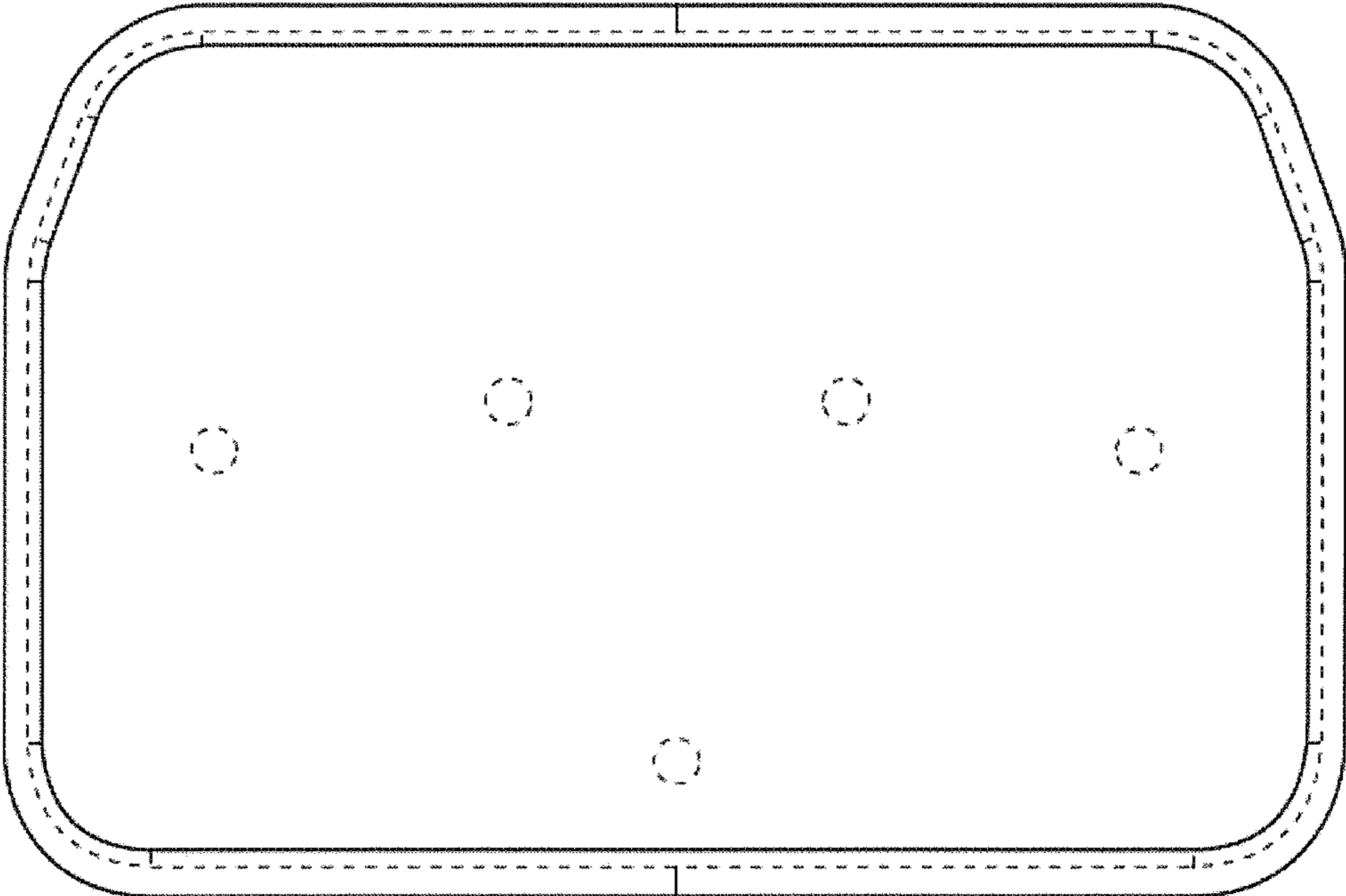


FIG. 2

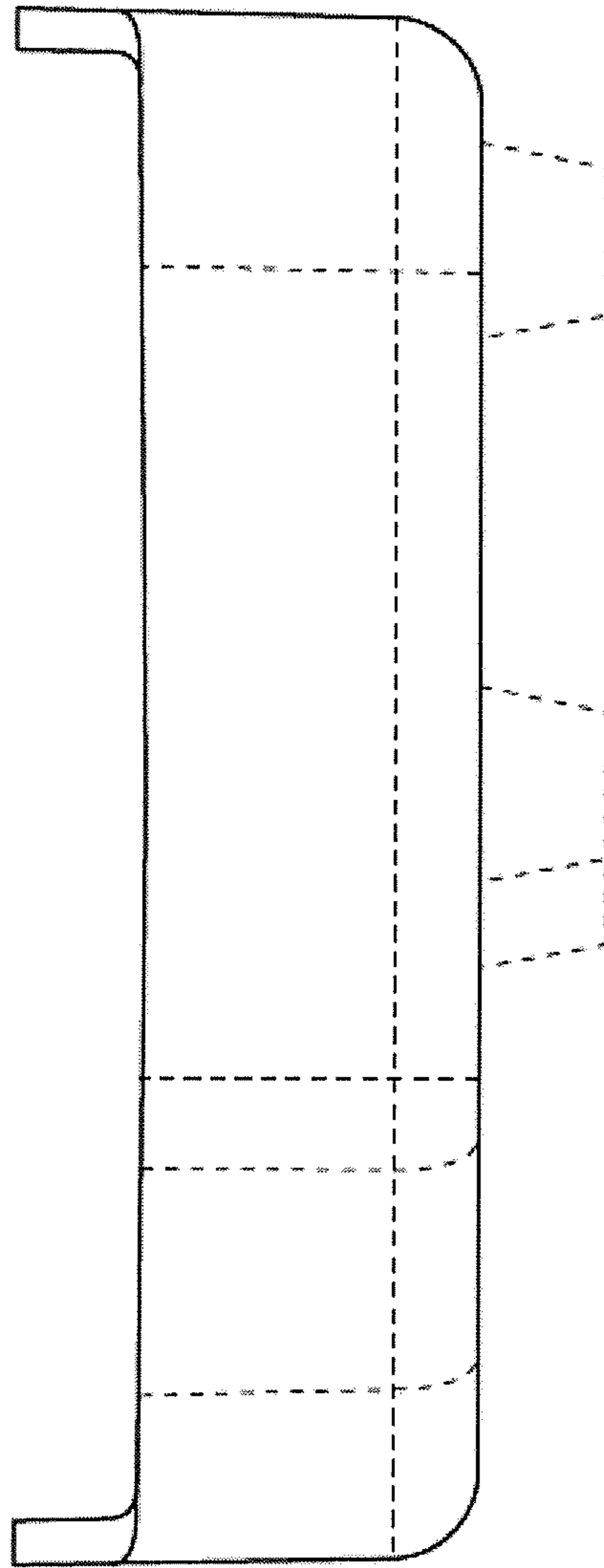
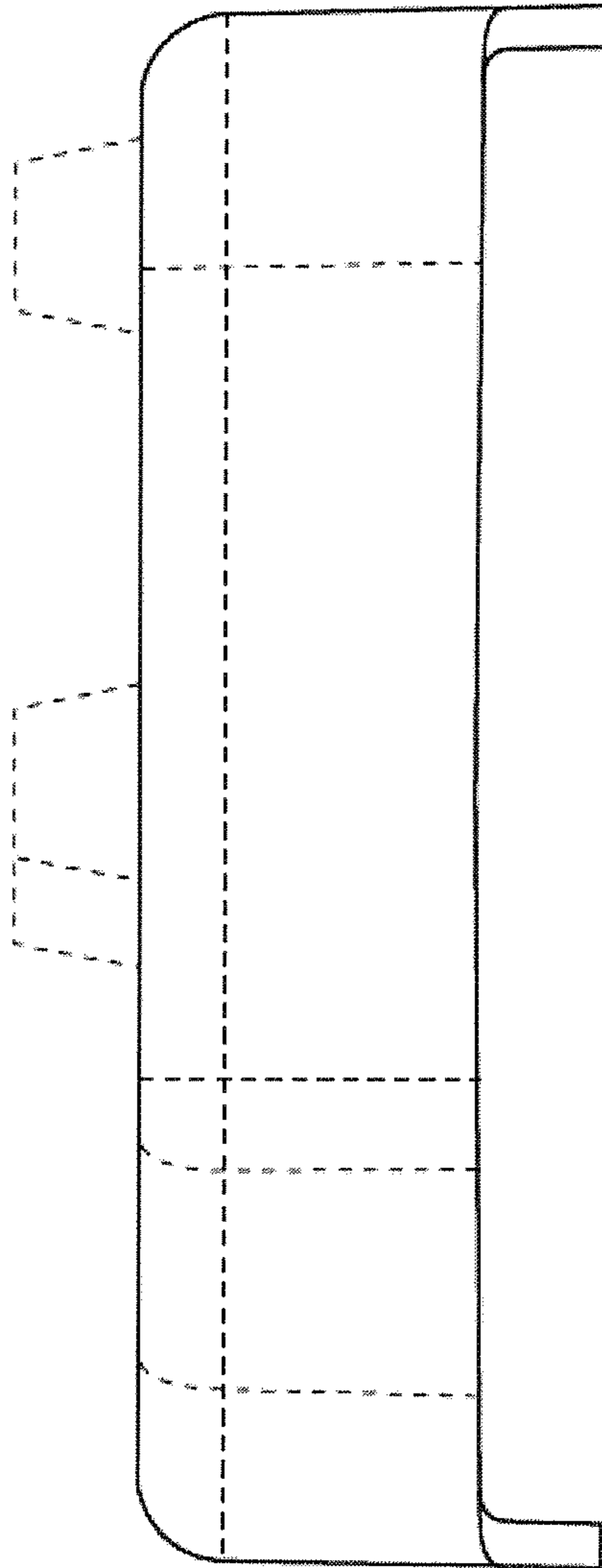
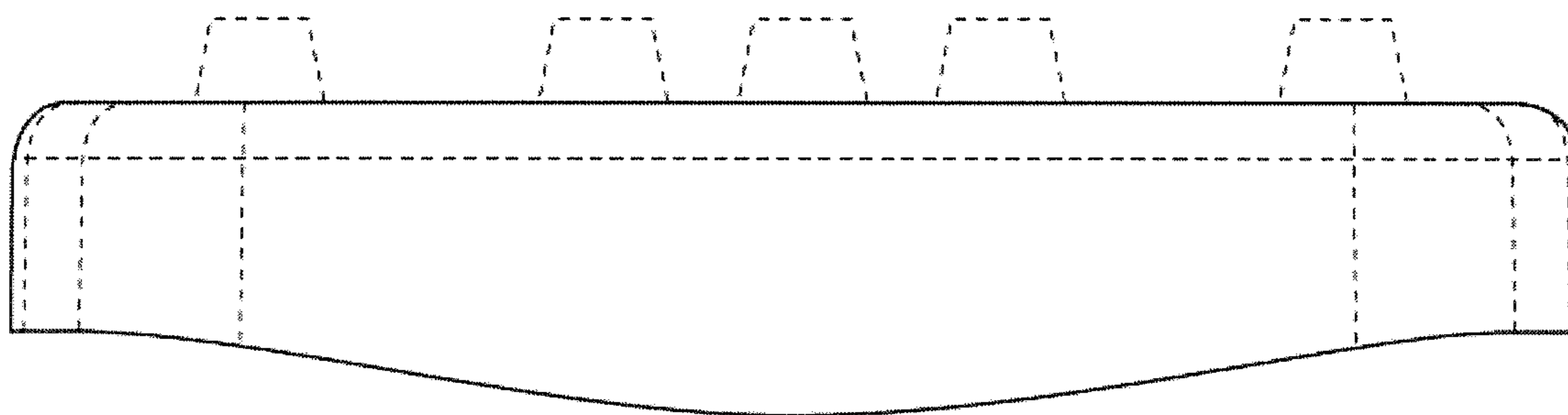


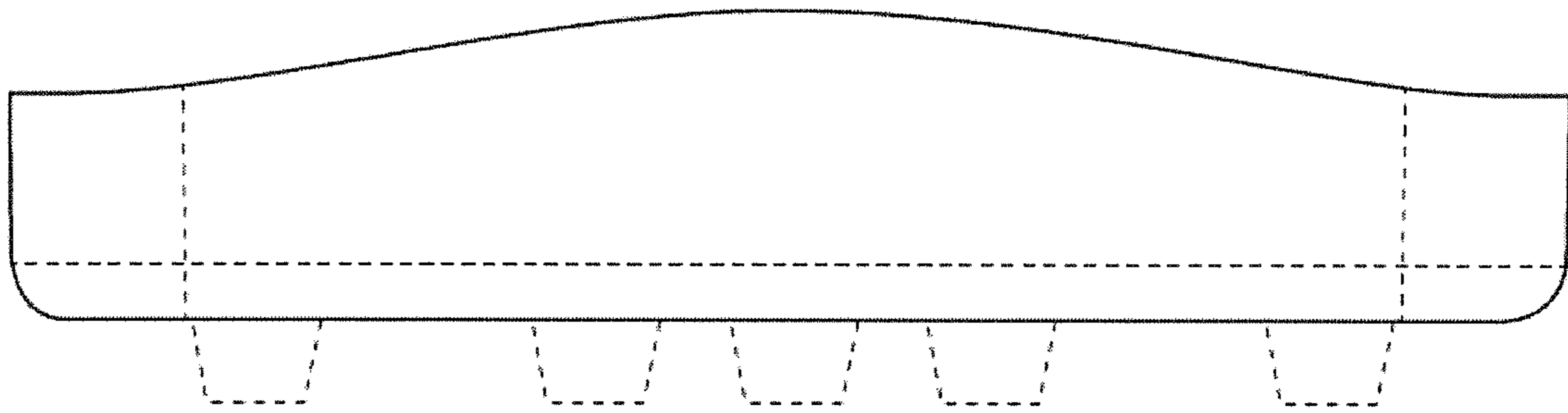
FIG. 3



**FIG. 4**



**FIG. 5**



**FIG. 6**

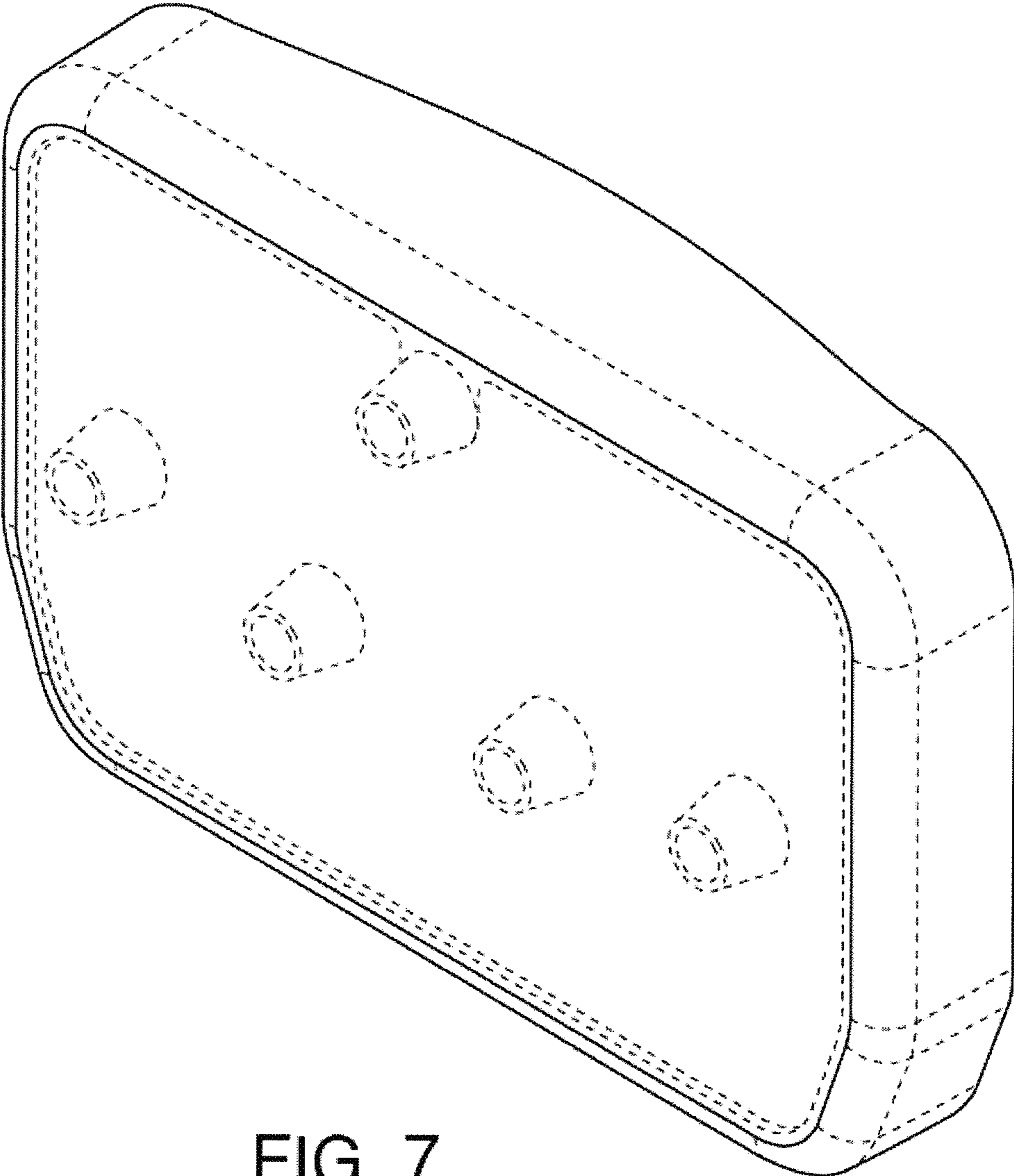


FIG. 7