



US00D929606S

(12) **United States Design Patent**
Forman et al.

(10) **Patent No.:** **US D929,606 S**

(45) **Date of Patent:** **** Aug. 31, 2021**

(54) **RESEARCH CONTAINER**

(71) Applicant: **ZYMO RESEARCH CORPORATION**, Irvine, CA (US)

(72) Inventors: **Stanislav Forman**, Irvine, CA (US);
Xi-Yu Jia, Irvine, CA (US)

(73) Assignee: **ZYMO RESEARCH CORPORATION**, Irvine, CA (US)

(**) Term: **15 Years**

(21) Appl. No.: **29/707,043**

(22) Filed: **Sep. 25, 2019**

(51) **LOC (13) Cl.** **24-02**

(52) **U.S. Cl.**
USPC **D24/224**

(58) **Field of Classification Search**
USPC D24/216, 222, 224–232;
D3/203.1–203.8, 273, 294, 302, 304, 312;
D9/420, 423, 424, 434, 454
CPC A61B 10/0096; B65D 83/04; B65D
83/0409; B26D 3/30; B26D 7/01
See application file for complete search history.

(56) **References Cited**

U.S. PATENT DOCUMENTS

D257,790 S * 1/1981 Kesling D24/227
D742,528 S * 11/2015 Huffman D24/186
D791,963 S * 7/2017 Orcutt D24/216

10,273,037 B2 * 4/2019 Pan B65D 75/326
D859,686 S * 9/2019 Charm D24/224
D878,048 S * 3/2020 Wang D3/294
D883,654 S * 5/2020 Cain D3/203.1
D900,335 S * 10/2020 Goeckner D24/224

* cited by examiner

Primary Examiner — Michael C Stout

Assistant Examiner — Omeed Agilee

(74) *Attorney, Agent, or Firm* — Parker Highlander PLLC

(57) **CLAIM**

We claim an ornamental design for a research container, as shown and described.

DESCRIPTION

FIG. 1 is a perspective view of a research container showing our new design.

FIG. 2 is a top elevation of the research container of FIG. 1; FIG. 3 is a bottom elevation view of the research container of FIG. 1;

FIG. 4 is a left side plan view of the research container of FIG. 1;

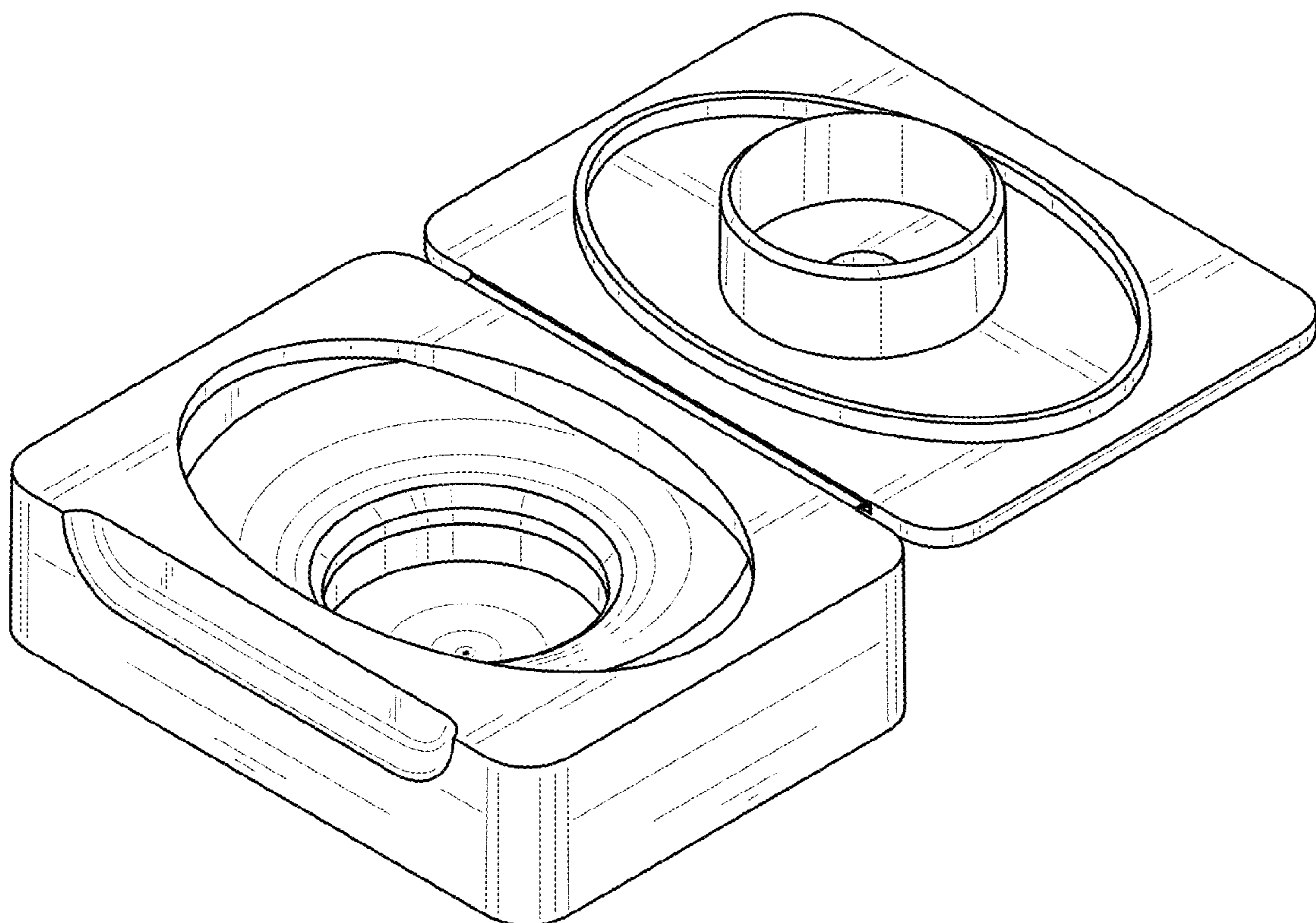
FIG. 5 is a right side plan view of the research container of FIG. 1;

FIG. 6 is a rear elevation view of the research container of FIG. 1; and,

FIG. 7 is a front elevation view of the research container of FIG. 1.

The broken lines depict portions of the research container that form no part of the claimed design.

1 Claim, 7 Drawing Sheets



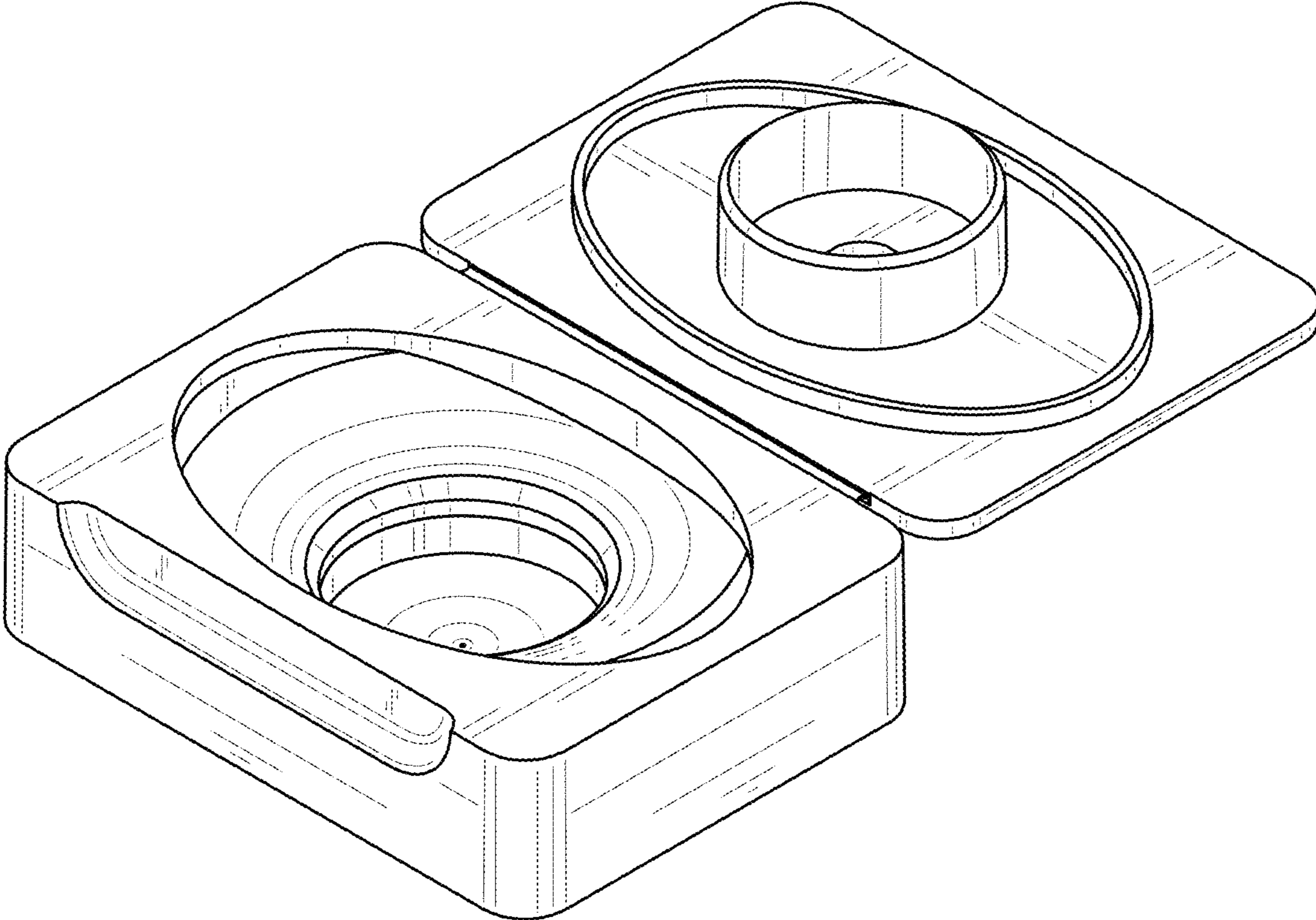


FIG. 1

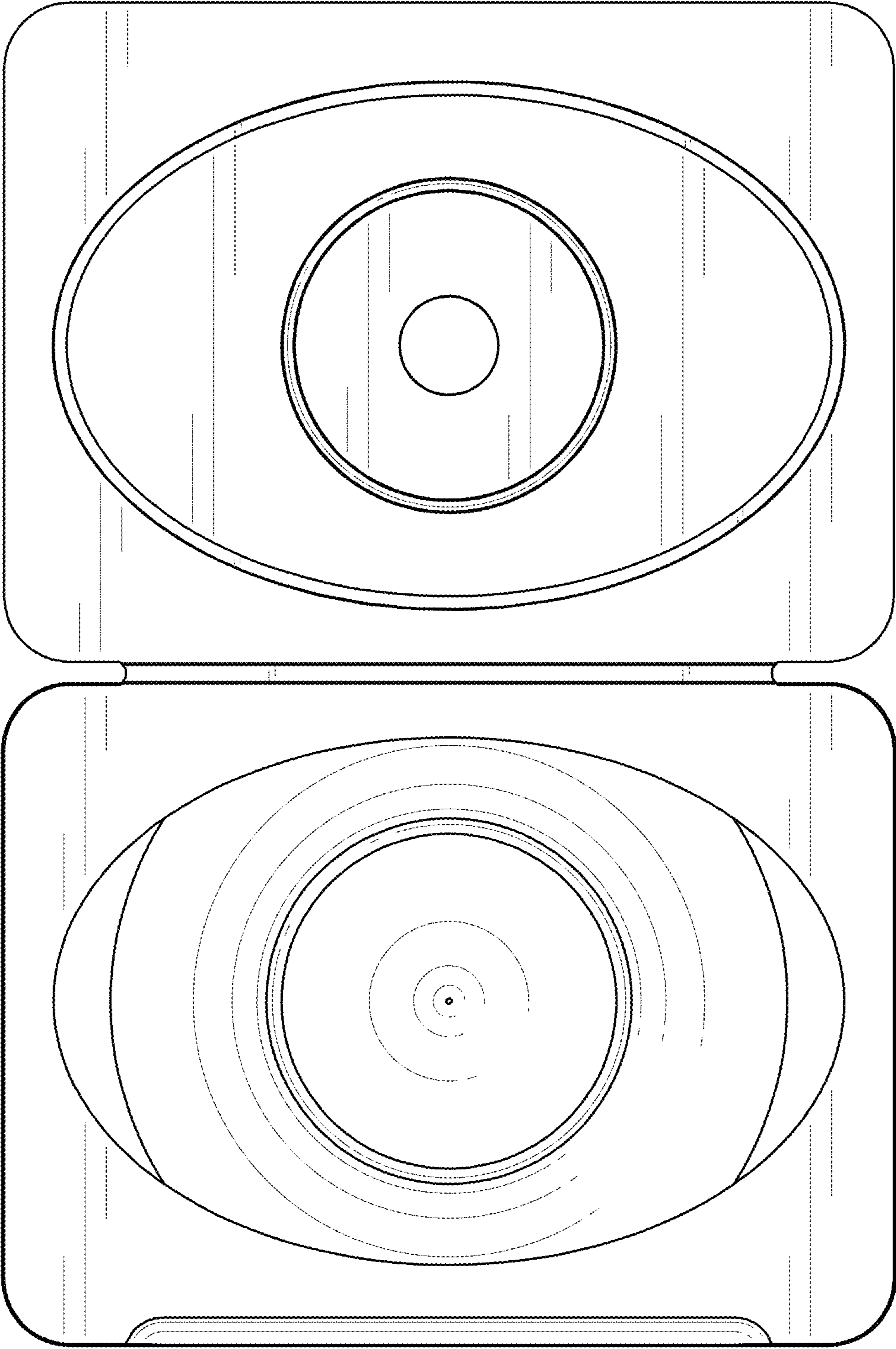


FIG. 2

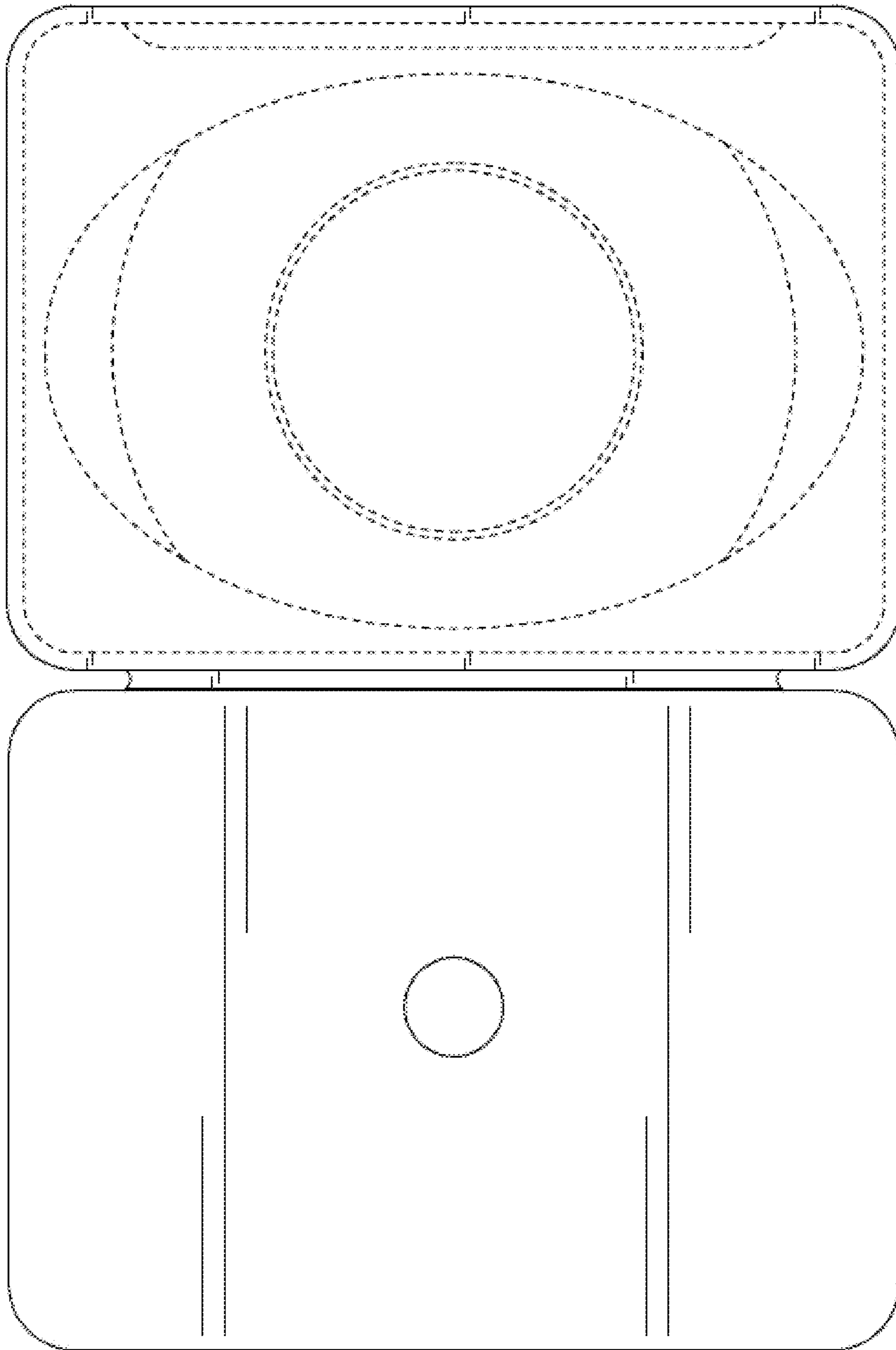


FIG. 3

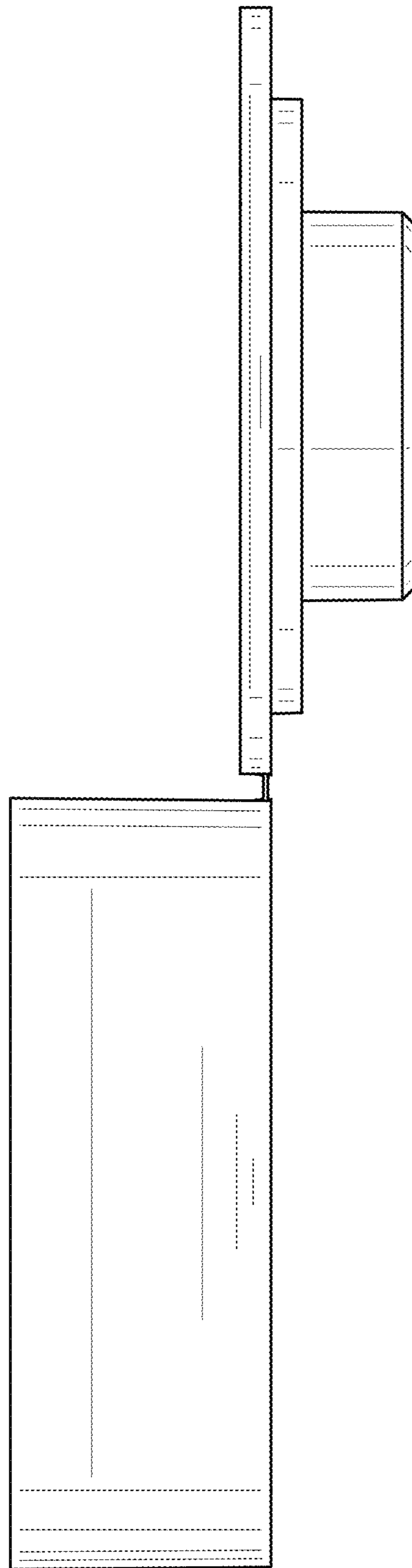


FIG. 4

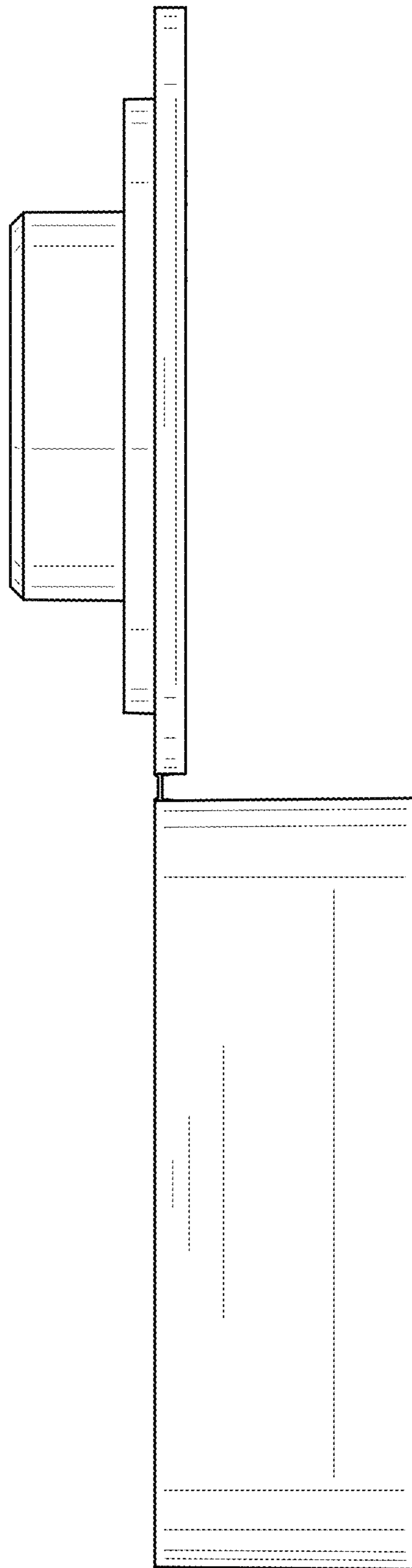


FIG. 5

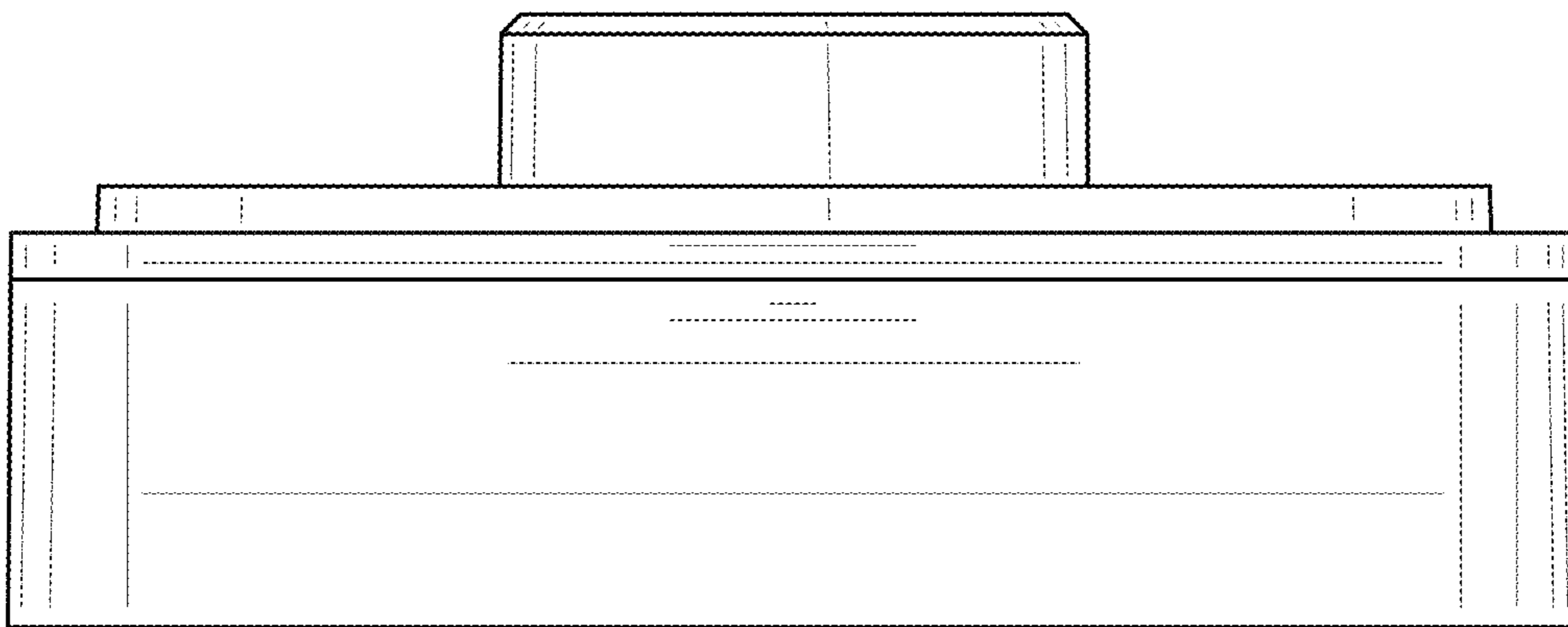


FIG. 6

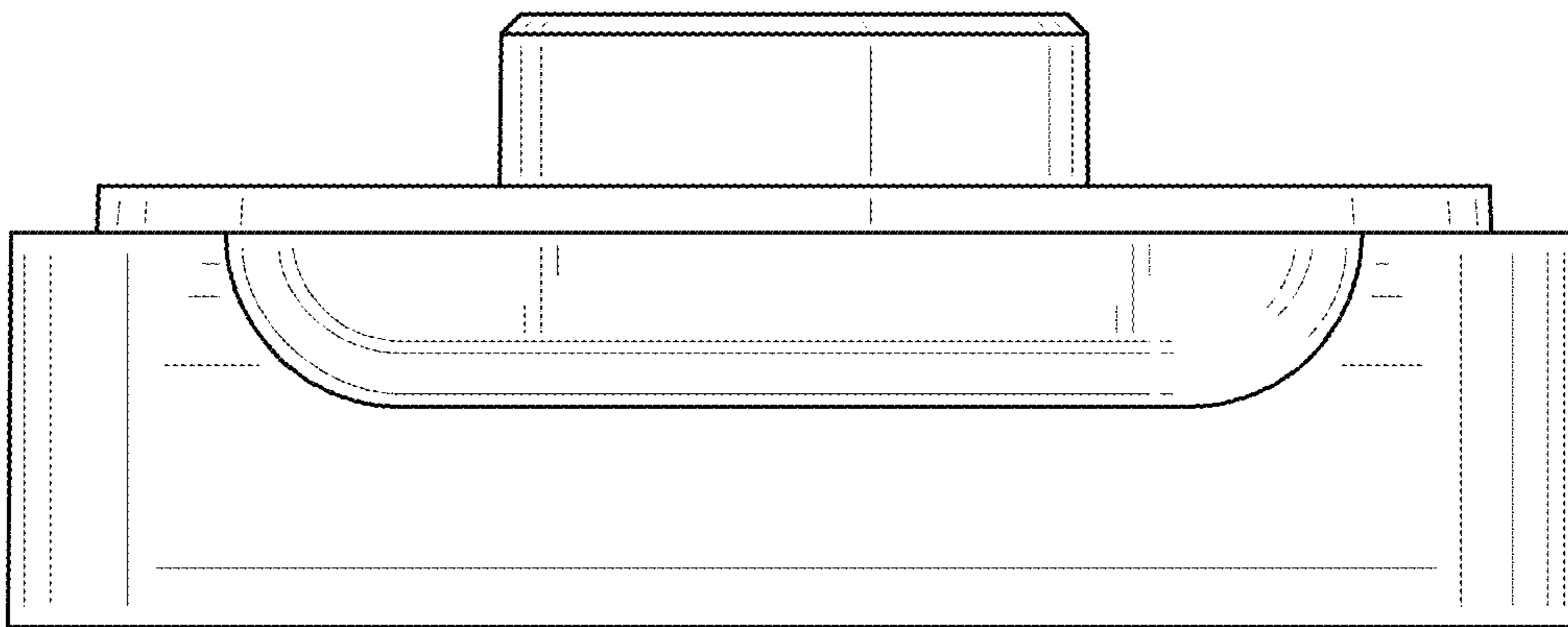


FIG. 7