



US00D929601S

(12) **United States Design Patent** (10) **Patent No.:** **US D929,601 S**
Lin (45) **Date of Patent:** **** Aug. 31, 2021**

(54) **MESSAGE GUN**
(71) Applicant: **Jinlong Lin**, N.T. (HK)
(72) Inventor: **Jinlong Lin**, N.T. (HK)
(73) Assignee: **SICTEC INSTRUMENTS COMPANY LIMITED**, Hong Kong (CN)
(**) Term: **15 Years**
(21) Appl. No.: **29/707,254**
(22) Filed: **Sep. 26, 2019**
(51) **LOC (13) Cl.** **28-03**
(52) **U.S. Cl.**
USPC **D24/215**
(58) **Field of Classification Search**
USPC D24/200, 211, 212, 213, 214, 215;
D8/14.1
CPC A61H 2015/0014; A61H 15/00; A61H
2015/0042
See application file for complete search history.

D886,317 S * 6/2020 Marton D24/215
D887,573 S * 6/2020 Wersland D24/215
D893,738 S * 8/2020 Zhuang D24/215
D895,133 S * 9/2020 Xu D24/215
D895,135 S * 9/2020 Xu D24/215
D895,831 S * 9/2020 Chen D24/215
D896,396 S * 9/2020 Wersland D24/215
D898,209 S * 10/2020 Xu D24/214
D898,933 S * 10/2020 Xu D24/215
D899,620 S * 10/2020 Huang D24/215
D905,863 S * 12/2020 Lin D24/215

(Continued)

OTHER PUBLICATIONS

Youbuy, "Massage Gun", Mar. 2, 2021. <https://www.yoybuy.com/pd/pB-abHQBu31TEz5QItvc.html>. Shown on p. 1. (Year: 2021).*

(Continued)

Primary Examiner — Cynthia Ramirez
Assistant Examiner — Michael A Maharajh

(57) **CLAIM**

The ornamental design for a massage gun, as shown and described.

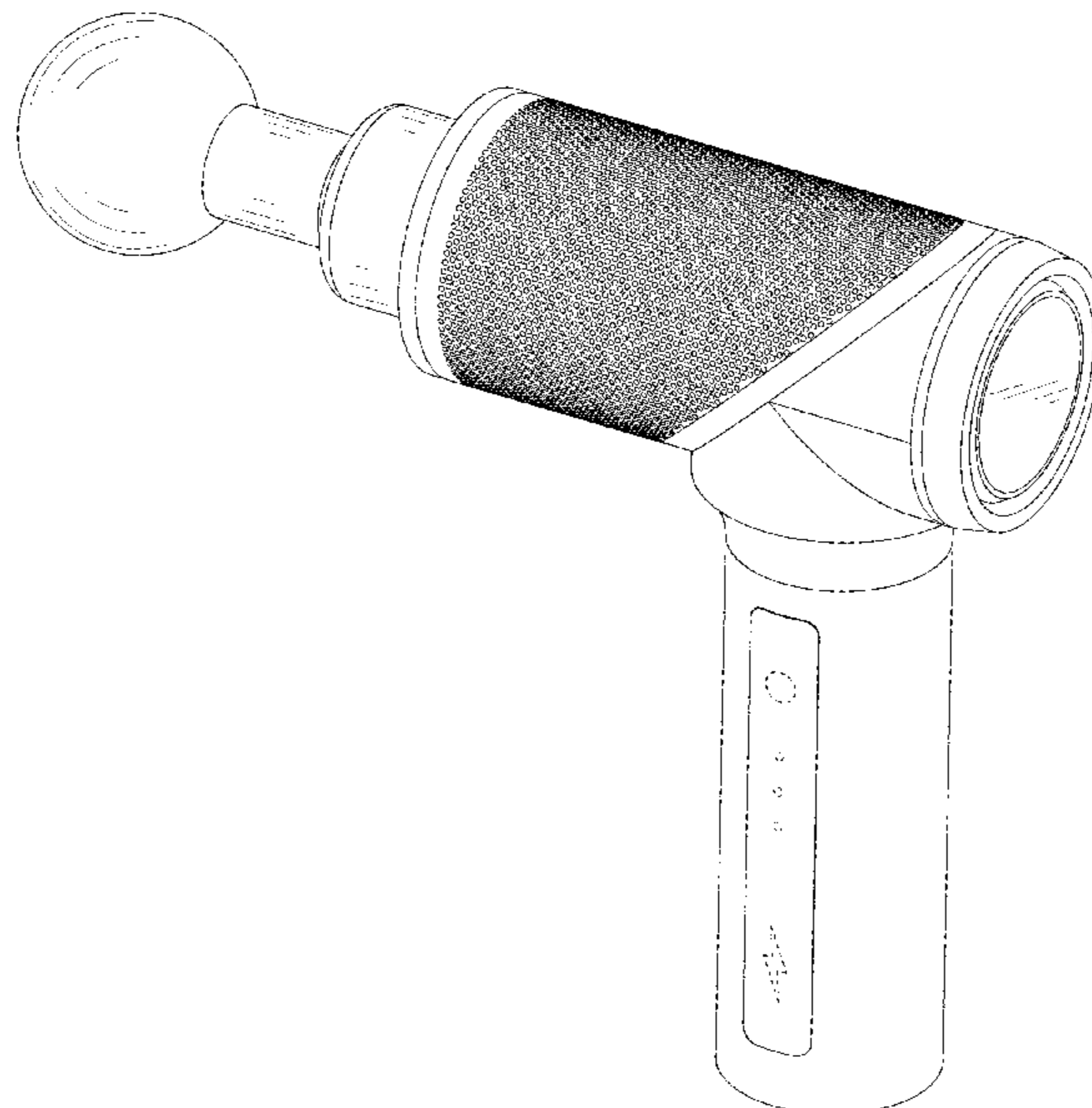
DESCRIPTION

FIG. 1 is a front perspective view of the massage gun showing my new design;
FIG. 2 is a bottom perspective view thereof;
FIG. 3 is a front elevational view thereof;
FIG. 4 is a rear elevational view thereof;
FIG. 5 is a left side elevational view thereof;
FIG. 6 is a right side elevational view thereof;
FIG. 7 is a top plan view thereof; and,
FIG. 8 is a bottom plan view thereof.
The broken lines shown in the figures are for the purpose of illustrating portions of the massage gun, which form no part of the claimed design.

1 Claim, 8 Drawing Sheets

(56) **References Cited**
U.S. PATENT DOCUMENTS

D616,558 S * 5/2010 Tsai D24/200
D855,822 S * 8/2019 Marton D24/215
D872,869 S * 1/2020 Lu D24/215
D874,015 S * 1/2020 Marton D24/215
D875,961 S * 2/2020 Li D24/211
D877,351 S * 3/2020 Wersland D24/215
D879,985 S * 3/2020 Wersland D24/214
D879,986 S * 3/2020 Wersland D24/214
D880,714 S * 4/2020 Wersland D24/215
D880,715 S * 4/2020 Wersland D24/215
D880,716 S * 4/2020 Wersland D24/215
D884,205 S * 5/2020 Zhuang D24/215
D884,207 S * 5/2020 Ma D24/215
D884,915 S * 5/2020 Wersland D24/215
D885,601 S * 5/2020 Wersland D24/215



(56)

References Cited

U.S. PATENT DOCUMENTS

D906,533 S * 12/2020 Xu D24/215
D907,229 S * 1/2021 Zhang D24/215
D907,230 S * 1/2021 Zhang D24/215
D908,908 S * 1/2021 Xu D24/215
2018/0200141 A1 * 7/2018 Wersland A61H 23/006

OTHER PUBLICATIONS

Amazon, "Medcursor Massage Gun", Apr. 8, 2020. https://www.amazon.com/Medcursor-Percussion-Massager-Handheld-Brushless/dp/B07Y8W62KC/ref=cm_cr_ar_p_d_product_top?ie=UTF8. Shown on p. 1. (Year: 2020).*

* cited by examiner

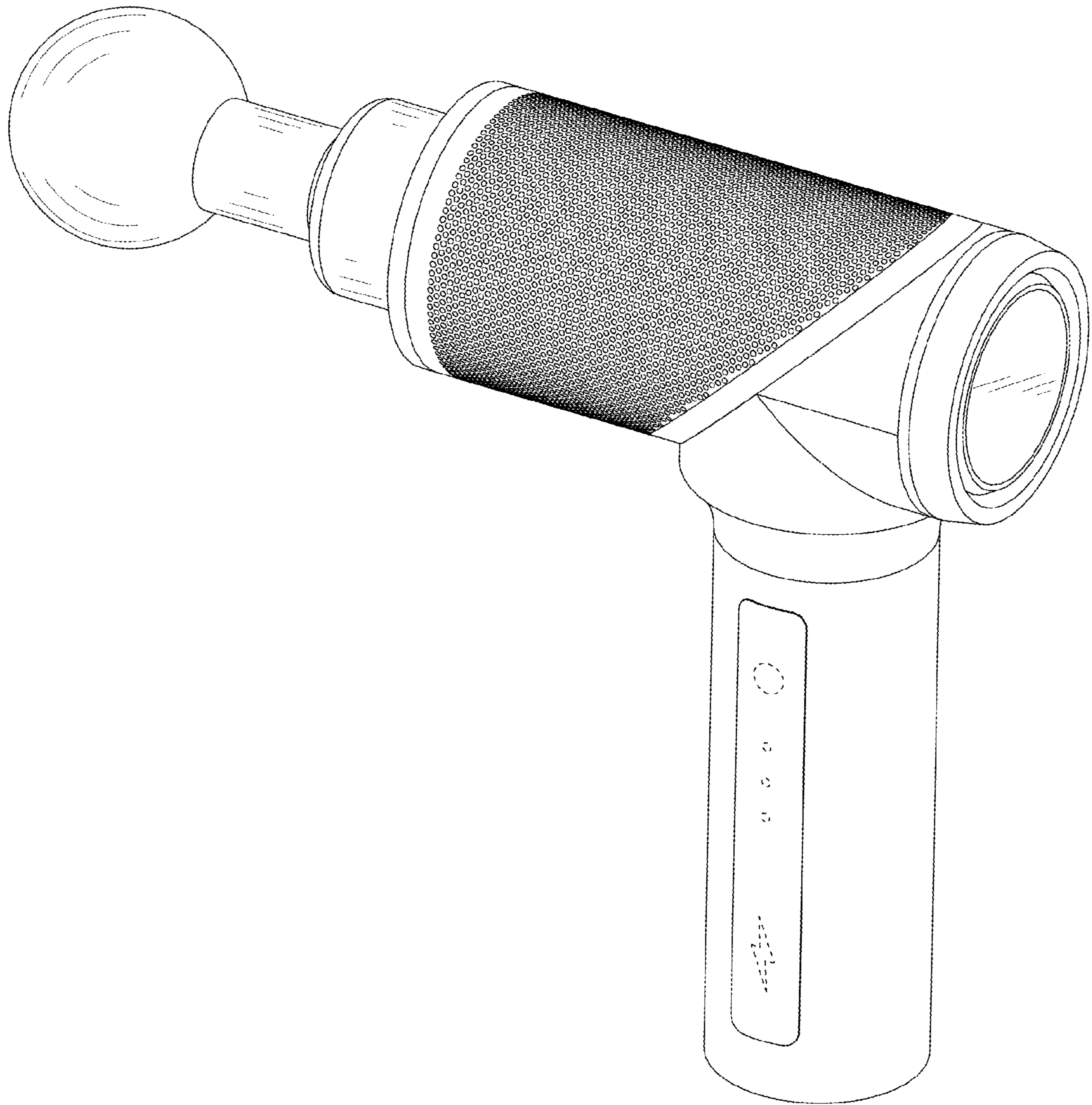


FIG. 1

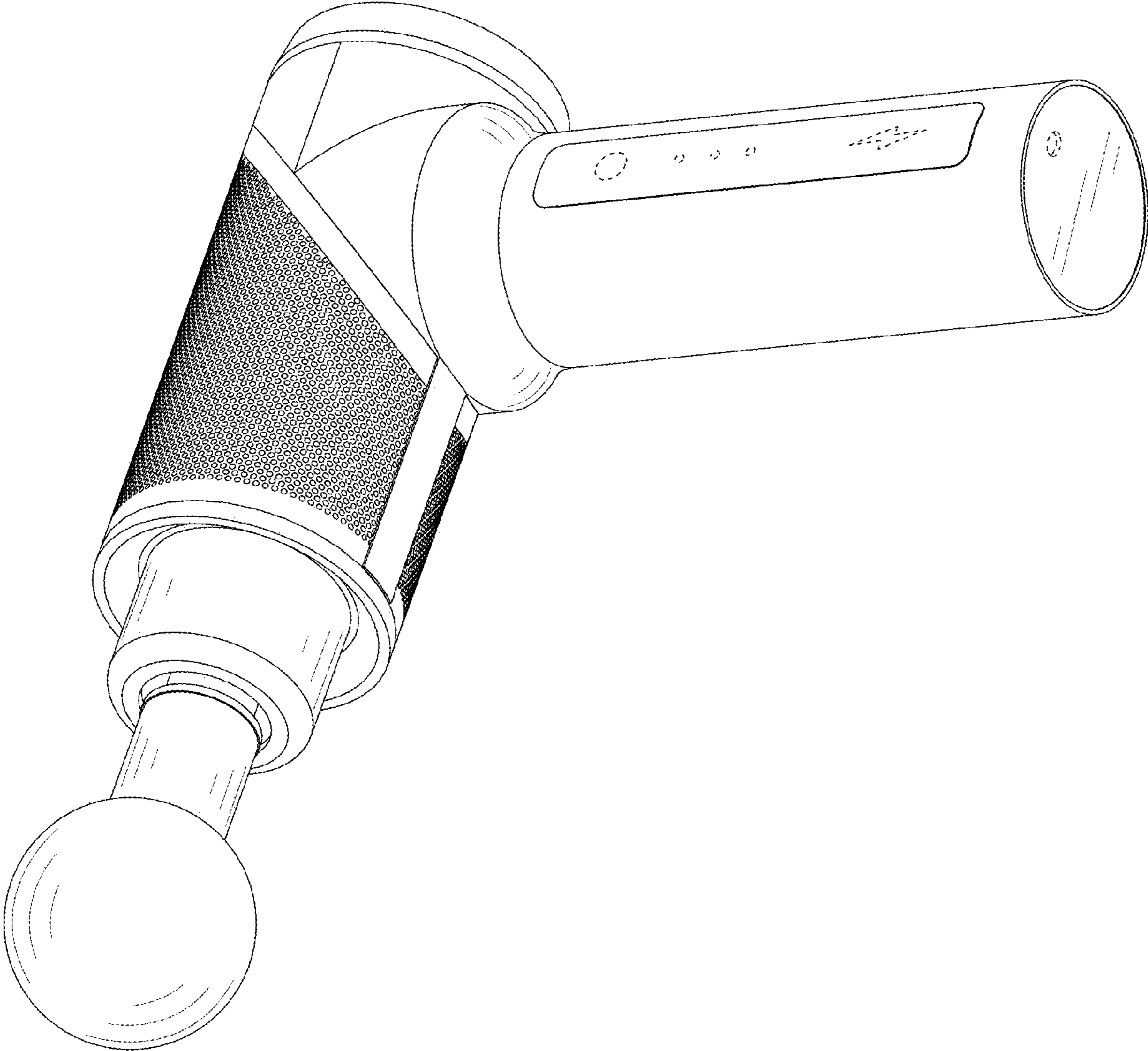


FIG. 2

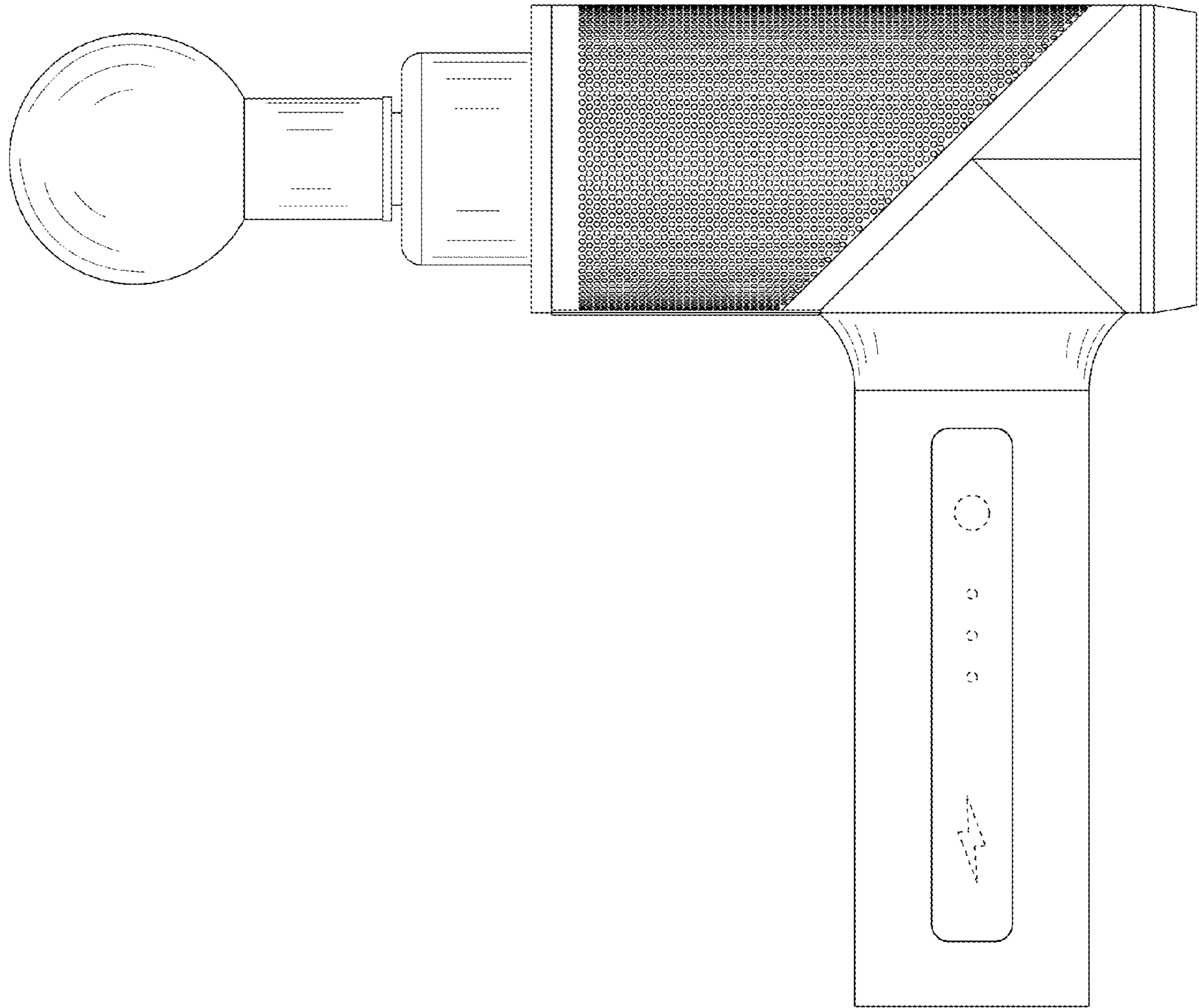


FIG. 3

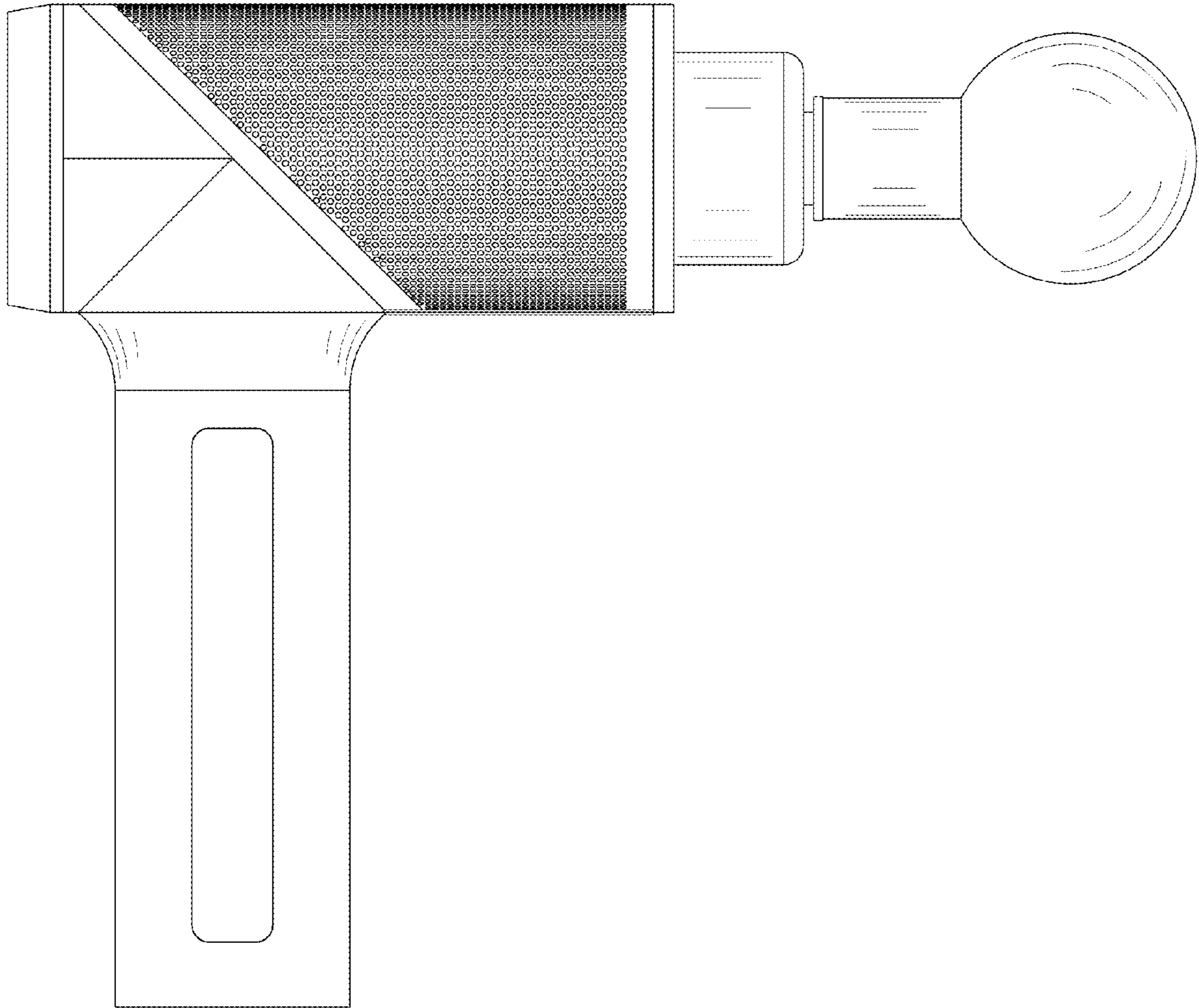


FIG. 4

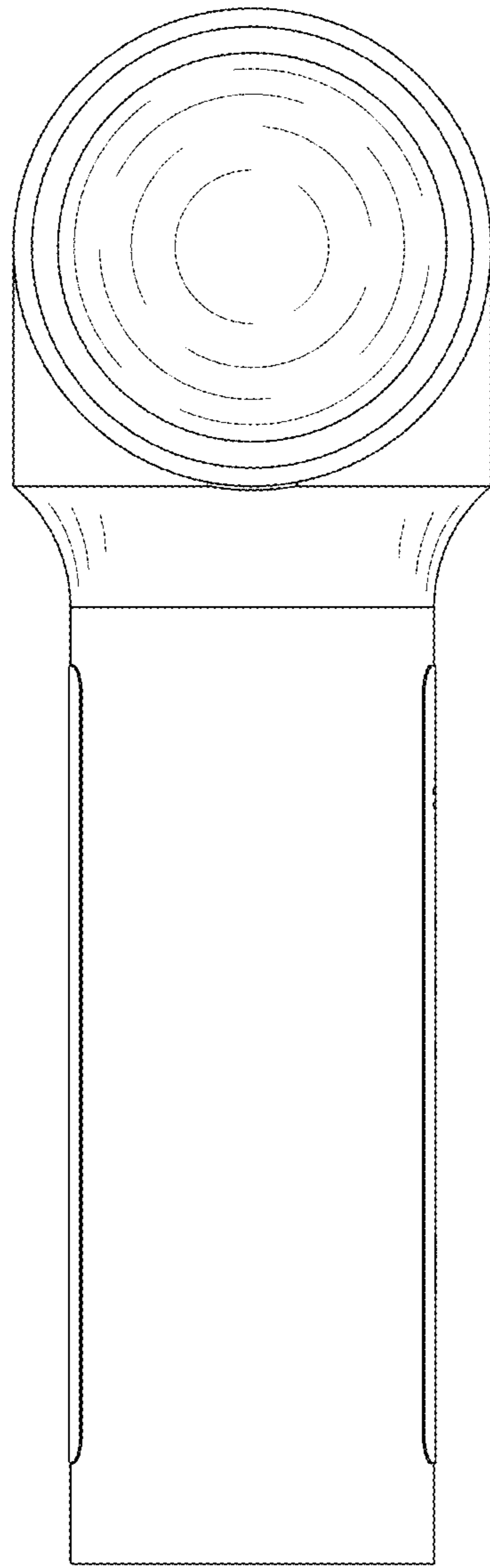


FIG. 5

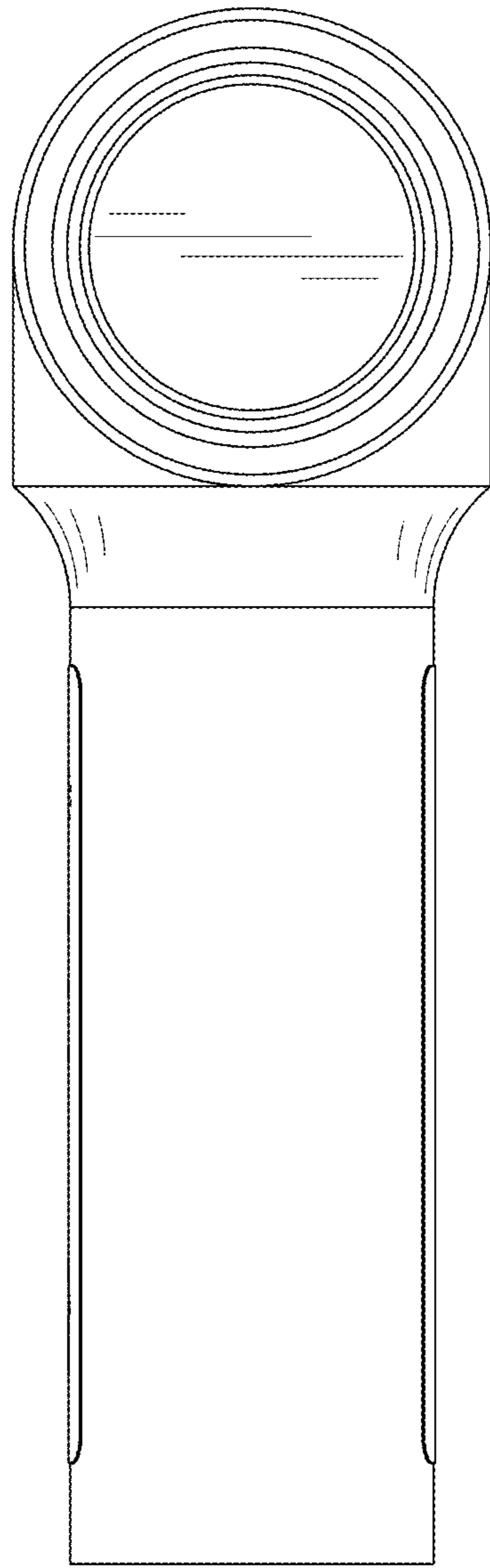


FIG. 6

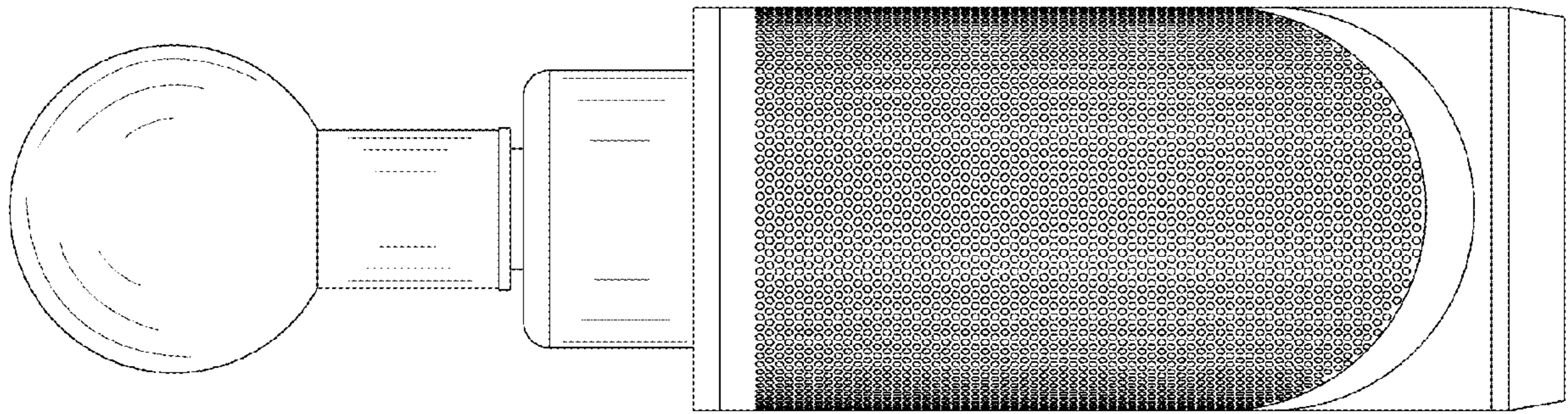


FIG. 7

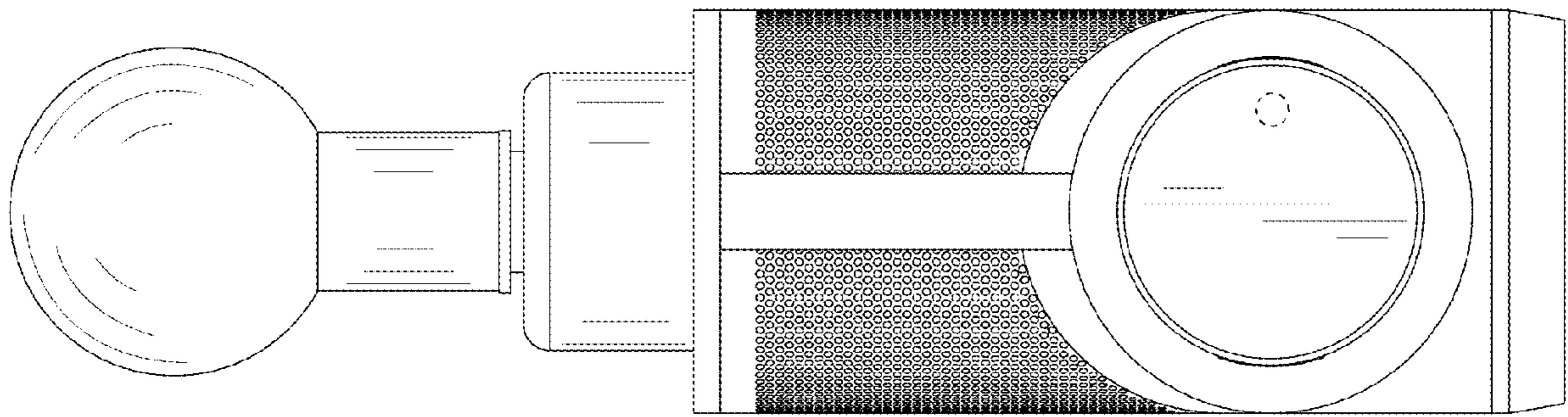


FIG. 8