

US00D929598S

(12) **United States Design Patent** (10) **Patent No.:** **US D929,598 S**  
**Zulkosky et al.** (45) **Date of Patent:** **\*\* Aug. 31, 2021**

(54) **BACK THERAPY DEVICE**

FOREIGN PATENT DOCUMENTS

(71) Applicant: **OrthoCor Medical, Inc.**, Arden Hills, MN (US)

CN 304361298 \* 11/2017  
JP D1674185 \* 11/2020  
WO WO D066709-009 \* 5/2005

(72) Inventors: **Wyatt T. Zulkosky**, Excelsior, MN (US); **Daniel T. Wenzel**, Little Canada, MN (US); **Aimee M. Krebsbach**, Mahtomedi, MN (US)

OTHER PUBLICATIONS

Back Ice Pack Wrap with Reusable Hot & Cold Packs by ActiveWrap. Amazon. Oldest review date: Jan. 4, 2012. Date retrieved: Dec. 28, 2020. Retrieved from internet: <https://www.amazon.com/ActiveWrap-Back-Pack-Reusable-Packs/dp/B008E37SI2> (Year: 2012).\*

(73) Assignee: **OrthoCor Medical, Inc.**, Arden Hills, MN (US)

(Continued)

(\*\*) Term: **15 Years**

*Primary Examiner* — Lilyana Bekic

(21) Appl. No.: **29/719,874**

*Assistant Examiner* — Lee D. Starr

(22) Filed: **Jan. 8, 2020**

(74) *Attorney, Agent, or Firm* — Schwegman Lundberg & Woessner, P.A.

(51) **LOC (13) Cl.** ..... **28-03**

(52) **U.S. Cl.**  
USPC ..... **D24/200; D24/190**

(57) **CLAIM**

(58) **Field of Classification Search**  
USPC .... D24/200, 188–192, 206, 215; D29/101.1, D29/101.2, 101.3, 120.1, 121.1, 121.2  
CPC ..... A61H 2205/00; A61H 2205/02; A61H 2205/04; A61H 2205/06; A61H 2205/08; A61H 2205/10; A61H 2205/12; A61H 2201/10; A61F 2007/0018; A61F 2007/0022; A61F 2007/0024–0027; A61F 7/007; A61B 5/04; A61N 1/0452; A61N 1/0492; A61N 1/18; A61N 1/20; A61N 1/205; A61N 1/22; A61N 1/321; A61N 1/36; A61N 1/36003; A61N 1/36014; A61N

The ornamental design for a back therapy device, as shown and described.

**DESCRIPTION**

FIG. 1 is a front view of a knee therapy device, showing our new design.  
FIG. 2 is a rear view thereof.  
FIG. 3 is a left side view thereof.  
FIG. 4 is a right side view thereof.  
FIG. 5 is a top view thereof.  
FIG. 6 is a bottom view thereof.  
FIG. 7 is a top-front-left perspective view thereof.  
FIG. 8 is a bottom-front-right perspective view thereof.  
FIG. 9 is a top-rear-right perspective view thereof; and, FIG. 10 is a bottom-rear-left perspective view thereof.  
The broken lines on the pill-shaped element in FIG. 6 and FIG. 8 depict portions of the back therapy device that form no part of the claimed design. All other broken lines are used to depict stitching and patterning and do form part of the claimed design.

(Continued)

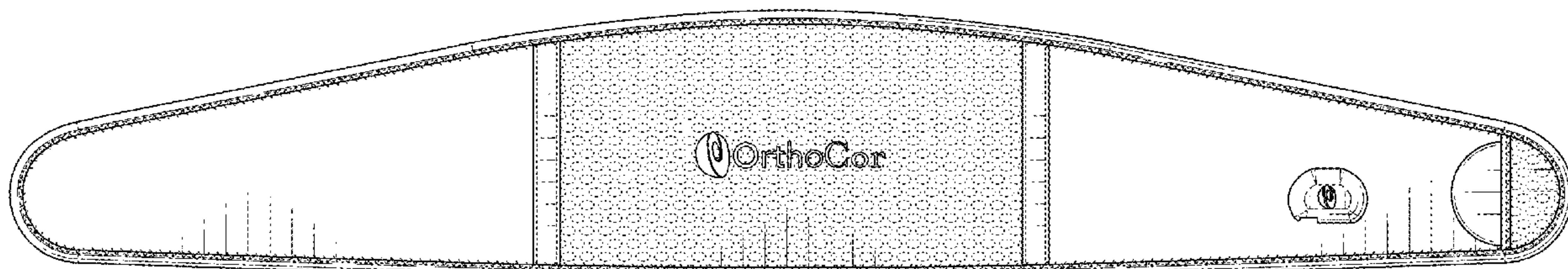
(56) **References Cited**

U.S. PATENT DOCUMENTS

D492,787 S \* 7/2004 Weaver, II ..... D24/190  
D496,108 S \* 9/2004 Machin ..... D24/190  
D518,895 S \* 4/2006 Weaver, II ..... D24/190

(Continued)

**1 Claim, 6 Drawing Sheets**



(58) **Field of Classification Search**  
 CPC ..... 1/36021; A61N 2/00; A61N 2/02; A61N  
 2/04; A61N 2/06; A61N 2/08  
 See application file for complete search history.

2011/0004261 A1\* 1/2011 Sham ..... A61N 2/02  
 607/3  
 2012/0330090 A1\* 12/2012 Sham ..... A61N 2/02  
 600/14  
 2014/0046232 A1\* 2/2014 Sham ..... A61F 7/00  
 602/2  
 2014/0209594 A1\* 7/2014 Besner ..... A61F 7/007  
 219/217

(56) **References Cited**

U.S. PATENT DOCUMENTS

D554,761 S \* 11/2007 Marin ..... D24/206  
 D598,556 S \* 8/2009 Chen ..... D24/190  
 D626,244 S \* 10/2010 Sagnip ..... D24/190  
 D627,078 S \* 11/2010 Matsuo ..... D24/206  
 D638,948 S \* 5/2011 Janzon ..... D24/190  
 D679,823 S \* 4/2013 Daniels ..... D24/206  
 D695,902 S \* 12/2013 Daniels ..... D24/206  
 D811,613 S \* 2/2018 Marton ..... D24/190  
 D831,221 S \* 10/2018 Smith ..... D24/190  
 D841,825 S \* 2/2019 Rogers ..... D24/206  
 D860,466 S \* 9/2019 Chiang ..... D24/190  
 D868,982 S \* 12/2019 Bigelow ..... D24/206  
 D869,670 S \* 12/2019 Bigelow ..... D24/206  
 D884,199 S \* 5/2020 Mei ..... D24/190  
 D888,971 S \* 6/2020 Ito ..... D24/200  
 2008/0161883 A1\* 7/2008 Conor ..... A61N 1/0456  
 607/48

OTHER PUBLICATIONS

EM38 Lower Back Pain Relief Belt by Beurer. Amazon. Oldest review date: Jul. 23, 2016. Date retrieved: Dec. 28, 2020. Retrieved from internet: <https://www.amazon.com/Beurer-EM38-Electrodes-Breathable-Adjustable/dp/B00QHK98YQ> (Year: 2016).\*

Ice Pack Back Wrap by Copper Compression. Coppercompression.com. Oldest review date: Dec. 7, 2019. Date retrieved: Dec. 28, 2020. Retrieved from internet: <https://www.coppercompression.com/products/> (Year: 2019).\*

OrthoCor intro by Scott Karch. Youtube. Posting date: Sep. 20, 2018. Date retrieved: Dec. 28, 2020. Retrieved from internet: <https://www.youtube.com/watch?v=y2T1ttj0IHk> (Year: 2018).\*

\* cited by examiner



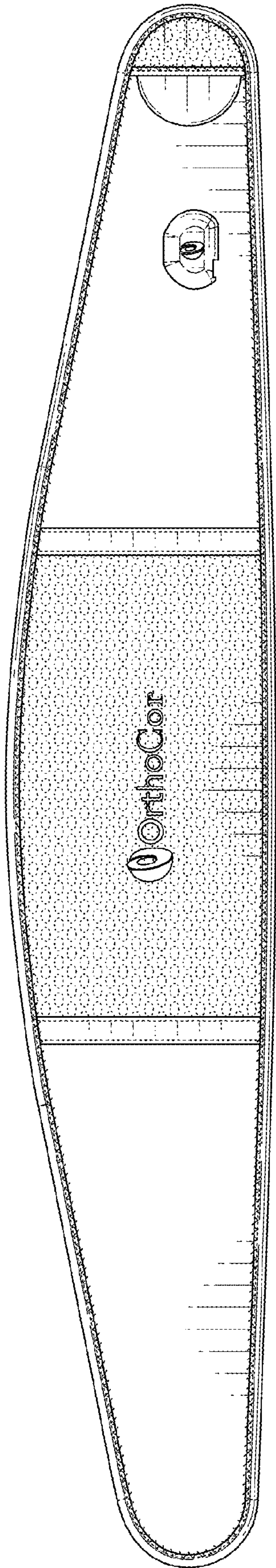


FIG. 1

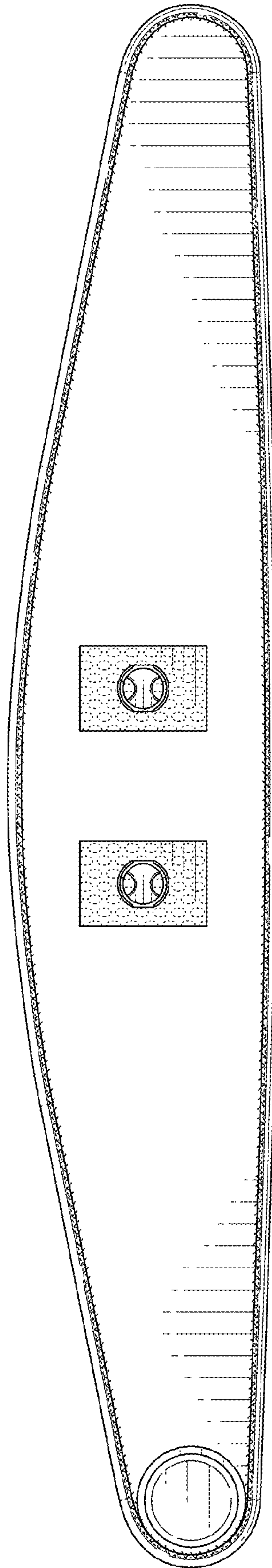


FIG. 2

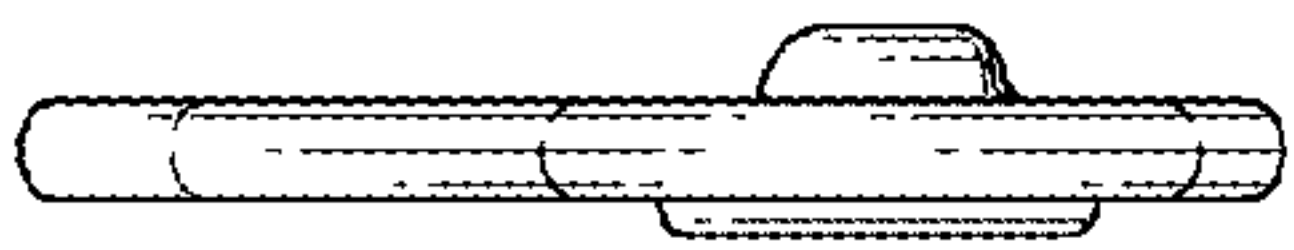


FIG. 3

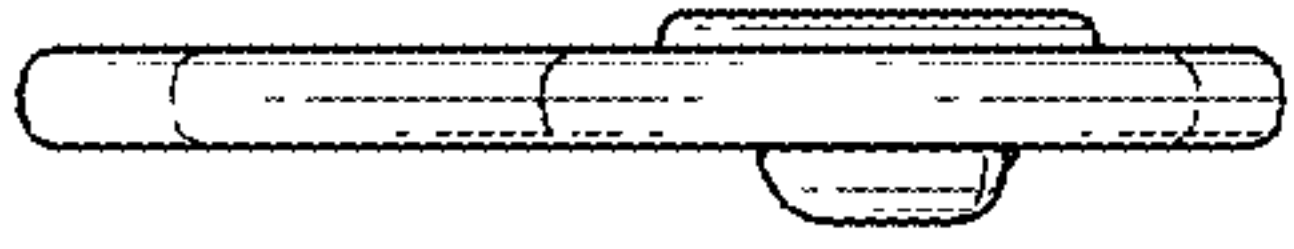


FIG. 4

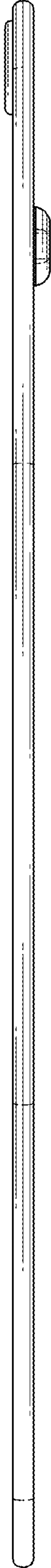


FIG. 5

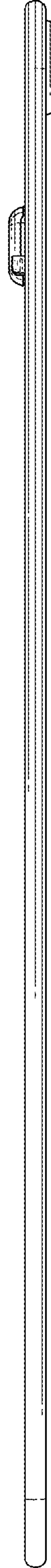


FIG. 6

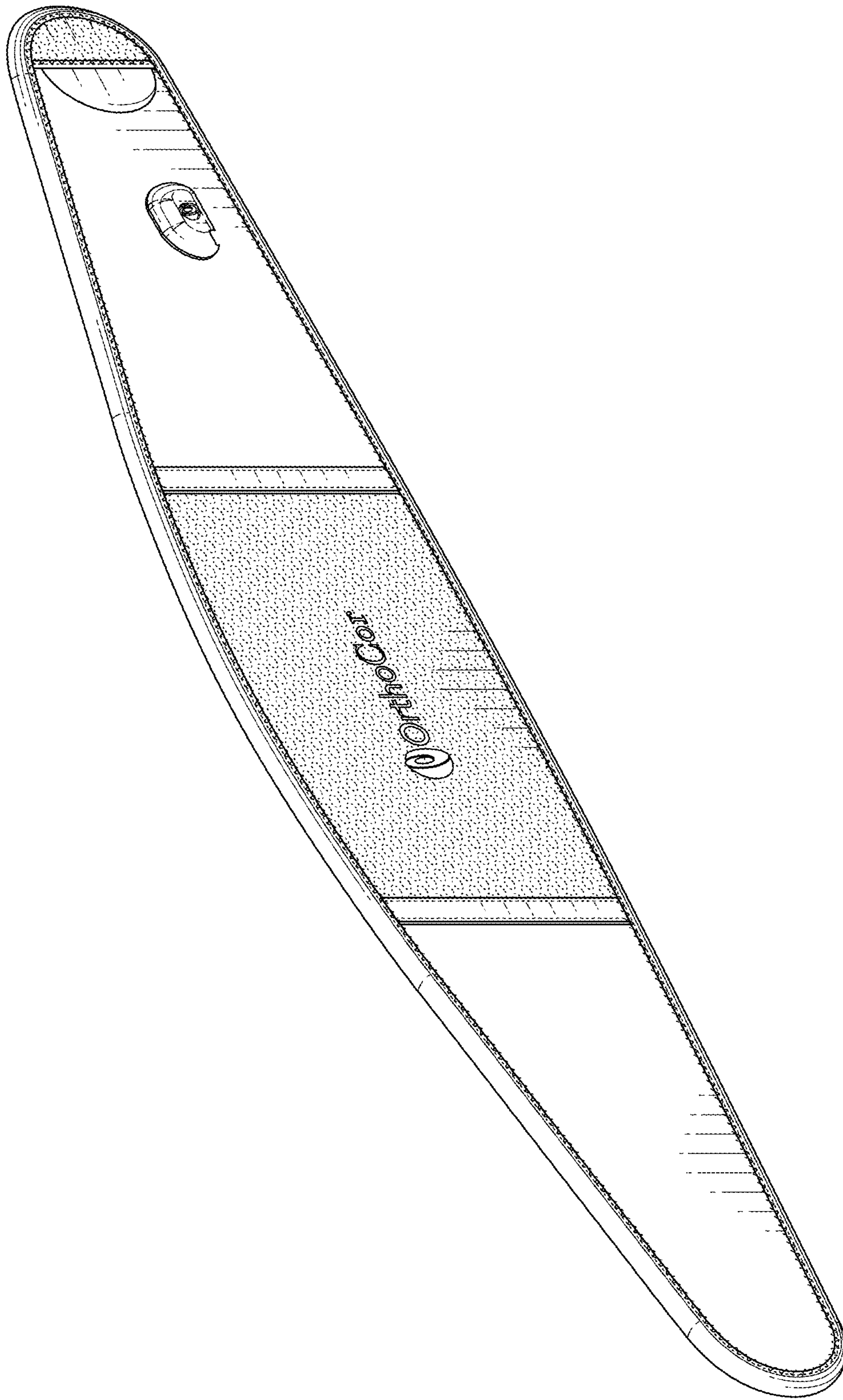


FIG. 7

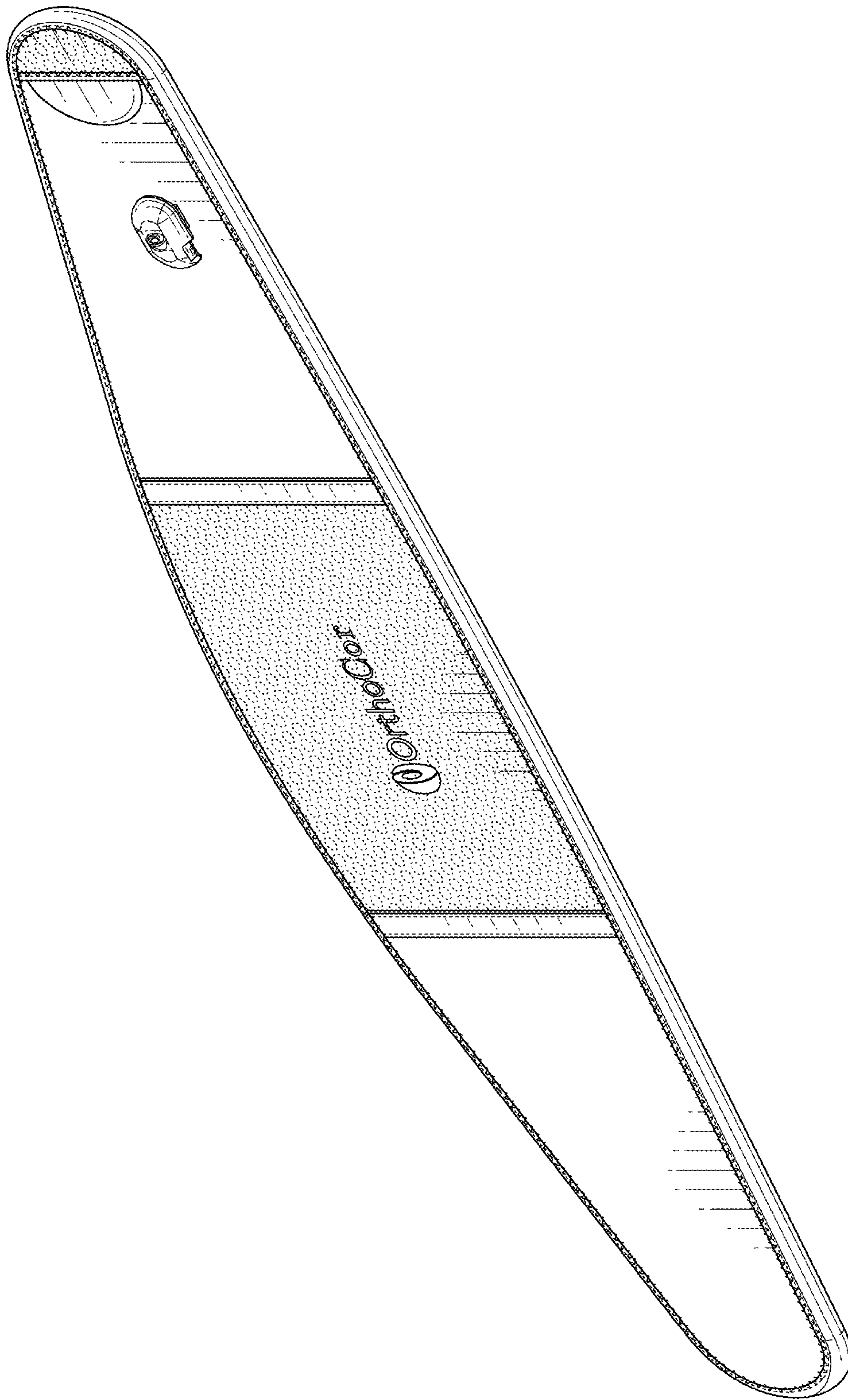


FIG. 8



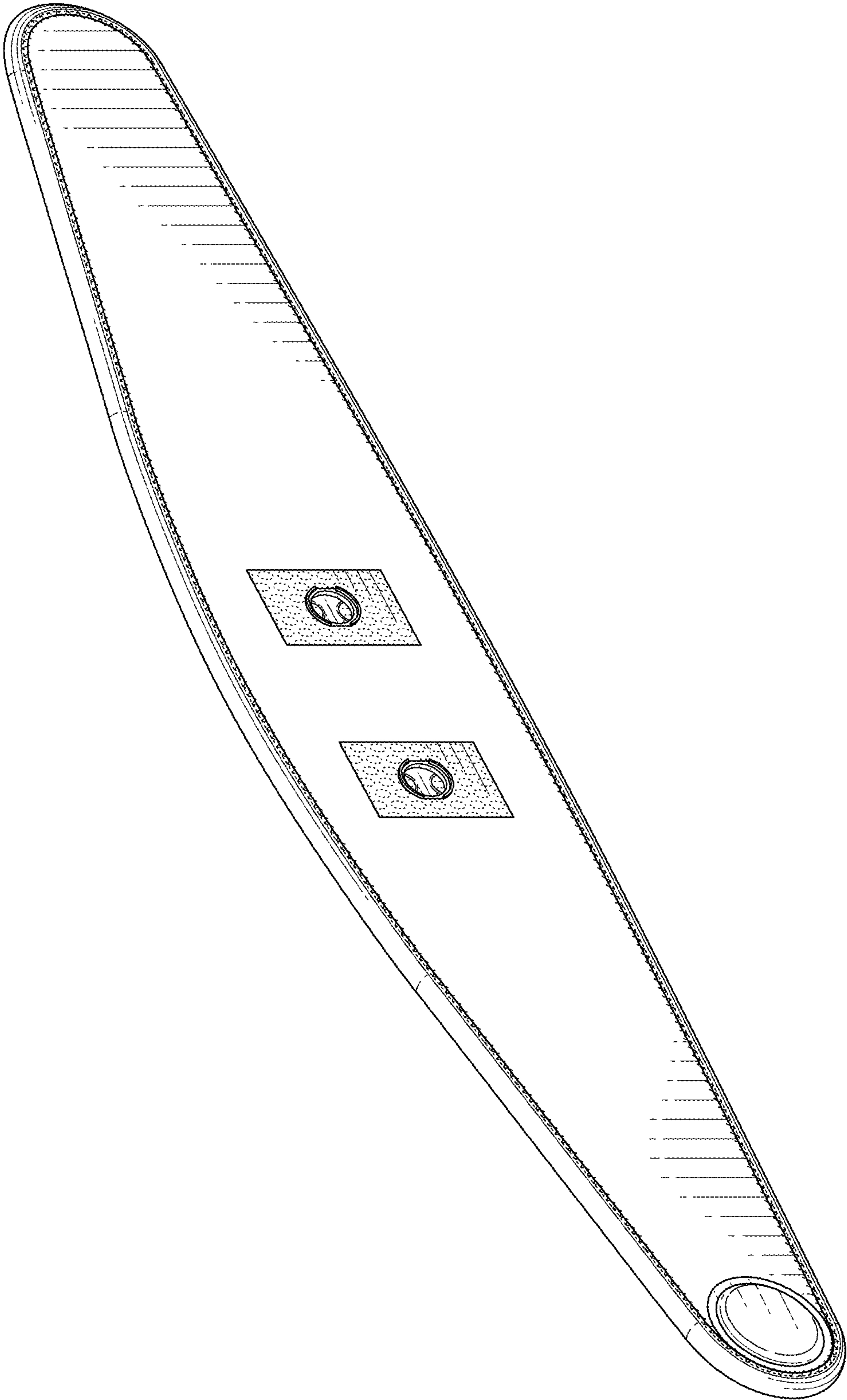


FIG. 9

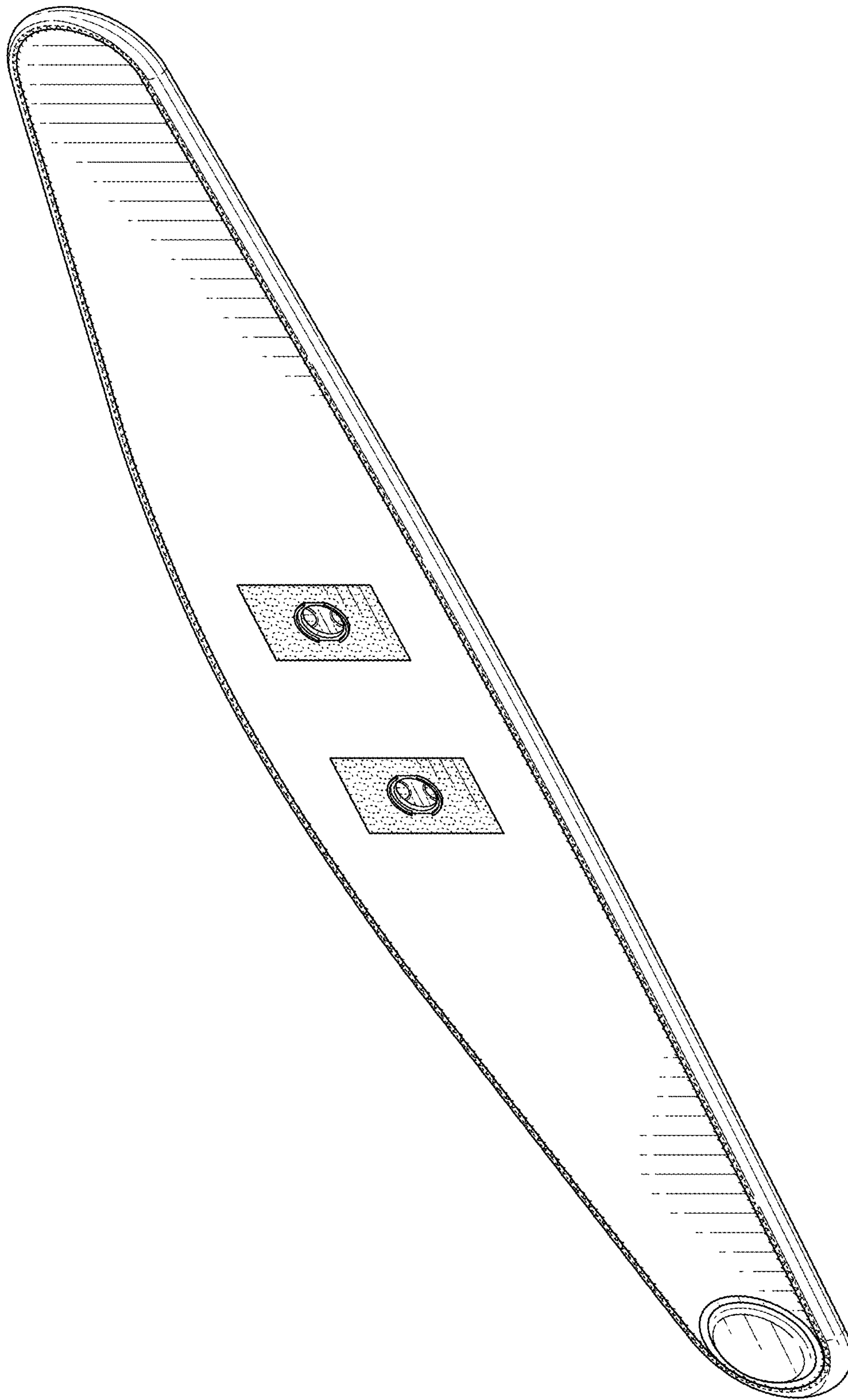


FIG. 10