



US00D929592S

(12) **United States Design Patent**  
**Sakazaki**

(10) **Patent No.:** **US D929,592 S**

(45) **Date of Patent:** **\*\* Aug. 31, 2021**

(54) **CASE FOR INJECTING MICRONEEDLE  
ARRAY**

(71) Applicant: **FUJIFILM Corporation**, Tokyo (JP)

(72) Inventor: **Yoshiki Sakazaki**, Ashigarakami-gun  
(JP)

(73) Assignee: **FUJIFILM Corporation**, Tokyo (JP)

(\*\*) Term: **15 Years**

(21) Appl. No.: **29/728,412**

(22) Filed: **Mar. 18, 2020**

(30) **Foreign Application Priority Data**

Sep. 19, 2019 (JP) ..... 2019-020944

(51) **LOC (13) Cl.** ..... **24-02**

(52) **U.S. Cl.**  
USPC ..... **D24/146**

(58) **Field of Classification Search**

USPC ..... D24/144, 108, 112, 130, 127, 133, 146;  
D9/424, 428-429; D2/887, 876, 886,  
D2/879, 893, 891; D29/104

CPC ..... A61M 37/0015; A61M 2037/0023; B29C  
39/26; A42B 1/02

See application file for complete search history.

(56) **References Cited**

**U.S. PATENT DOCUMENTS**

6,855,131 B2 \* 2/2005 Trautman ..... A61M 37/0015  
604/187

8,540,672 B2 \* 9/2013 McAllister ..... A61M 37/0015  
604/136

9,155,875 B2 \* 10/2015 McAllister ..... A61M 37/0015

(Continued)

**FOREIGN PATENT DOCUMENTS**

JP 1632957 S 6/2019

KR 30-0443830 S 3/2007

**OTHER PUBLICATIONS**

Japanese Office Action dated Jun. 29, 2020, for Japanese Applica-  
tion No. 2019-020944, with English translation.

(Continued)

*Primary Examiner* — Wan Laymon

(74) *Attorney, Agent, or Firm* — Birch, Stewart, Kolasch  
& Birch, LLP

(57) **CLAIM**

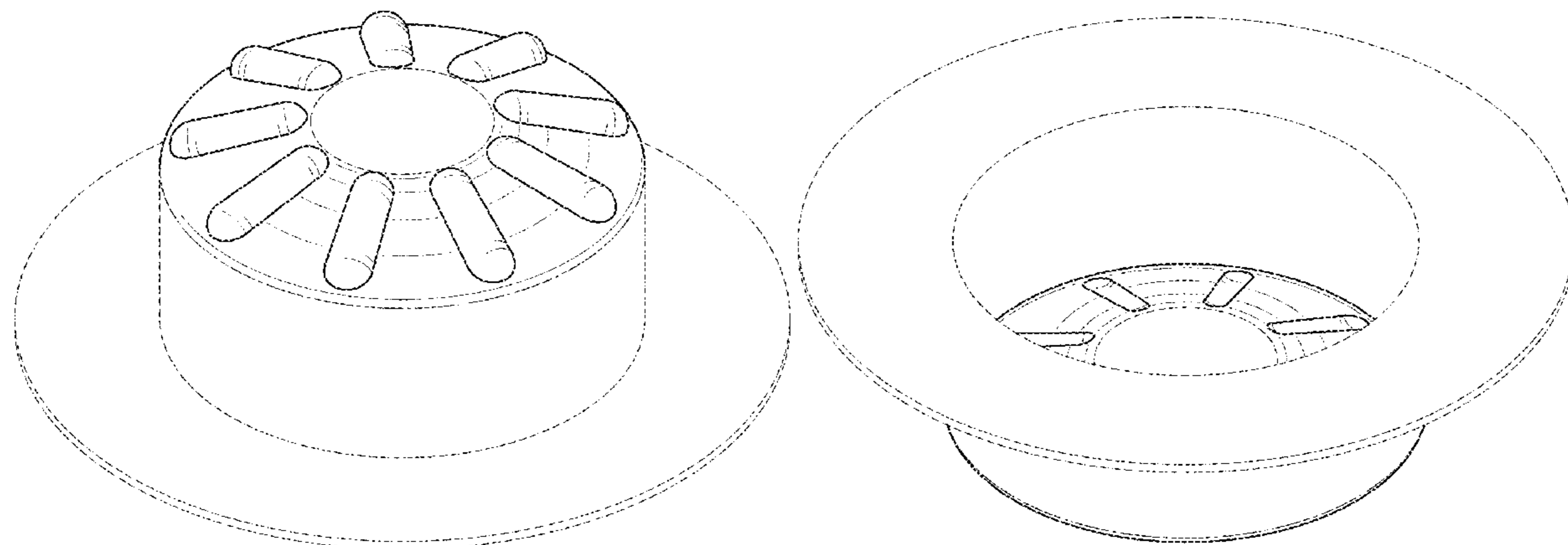
The ornamental design for a case for injecting microneedle  
array, as shown and described.

**DESCRIPTION**

FIG. 1 is a perspective view from upper side of a case for  
injecting microneedle array, showing my new design;  
FIG. 2 is a perspective view from lower side thereof;  
FIG. 3 is a front view thereof;  
FIG. 4 is a rear view thereof;  
FIG. 5 is a top plan view thereof;  
FIG. 6 is a bottom plan view thereof;  
FIG. 7 is a right side view thereof;  
FIG. 8 is a left side view thereof;  
FIG. 9 is a perspective view from upper side thereof  
indicating the state that top portion is pushed;  
FIG. 10 is a perspective view from lower side thereof  
indicating the state that top portion is pushed; and,  
FIG. 11 is a front view thereof indicating the state that top  
portion is pushed.

The broken lines illustrate portions of the case for injecting  
microneedle array and form no part of the claimed design.  
The dash-dot broken lines represent the bounds of the  
claimed design and form no part of the claimed design.  
The design of a case for injecting microneedle array as the  
top portion transitions from normal position to pushed  
position and vice versa forms no part of the claimed design.

**1 Claim, 11 Drawing Sheets**



(56)

**References Cited**

U.S. PATENT DOCUMENTS

9,539,418 B2 \* 1/2017 Quan ..... A61M 37/0015  
D826,396 S \* 8/2018 Stonecipher ..... D24/112  
D829,889 S \* 10/2018 Hwang ..... D24/112  
2008/0161759 A1 \* 7/2008 Lastovich ..... A61M 37/0015  
604/174  
2019/0351204 A1 \* 11/2019 Sakazaki ..... A61M 37/0015  
2019/0351588 A1 \* 11/2019 Sakazaki ..... B29C 39/26  
2020/0345466 A1 \* 11/2020 Ruppert ..... B29C 39/26  
2021/0023355 A1 \* 1/2021 Tamaki ..... A61M 37/0015  
2021/0023356 A1 \* 1/2021 Kobayashi ..... A61M 37/0015  
2021/0085943 A1 \* 3/2021 Kobayashi ..... B29C 39/26

OTHER PUBLICATIONS

Japanese Notice of Reasons for Refusal for Japanese Application  
No. 2019020944, dated Mar. 30, 2020, with a partial English  
translation.

Japanese Written Directive [Invitation] for Japanese Application  
No. 2019-020944, dated Mar. 30, 2020, with a partial English  
translation.

\* cited by examiner

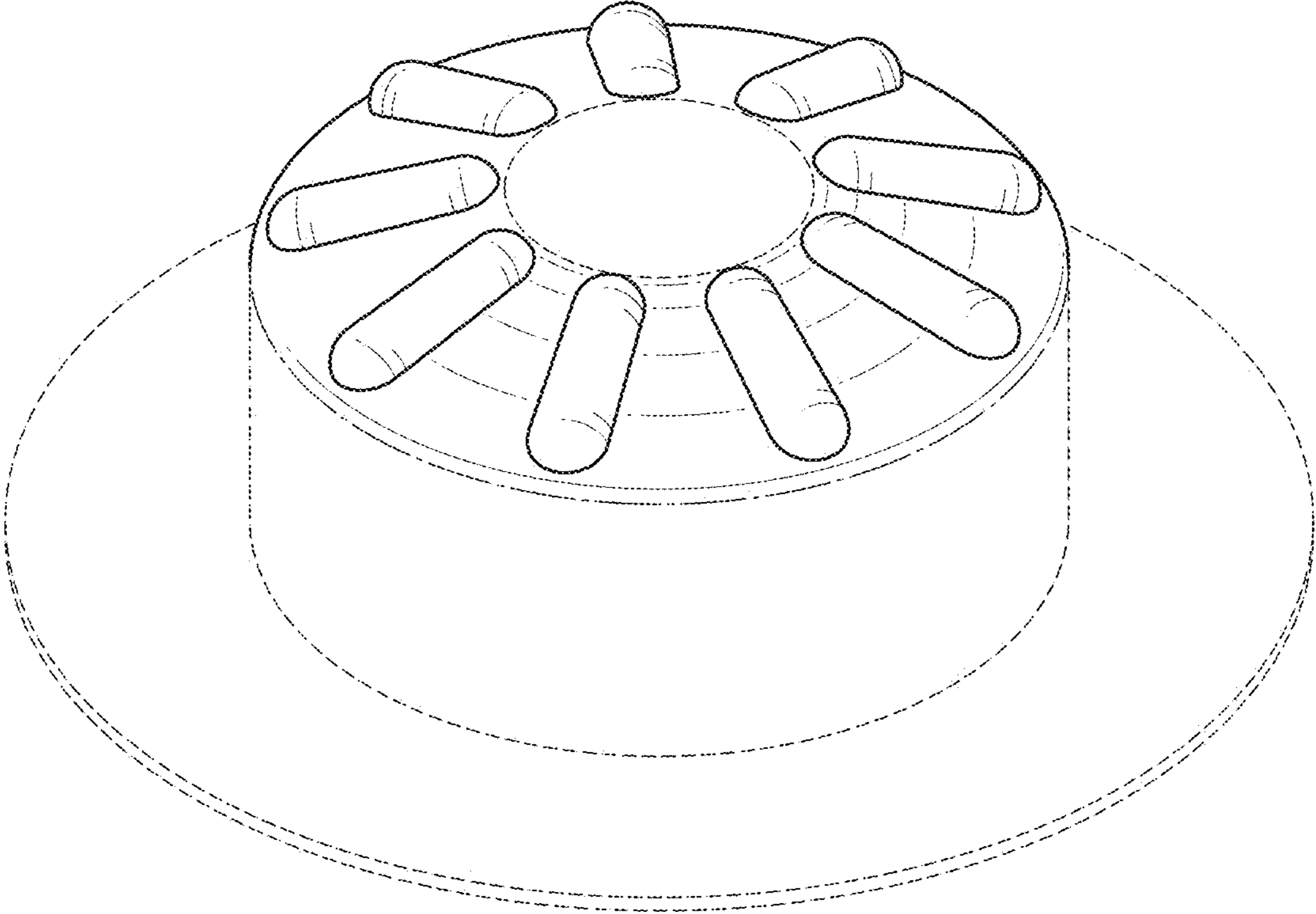


FIG. 1

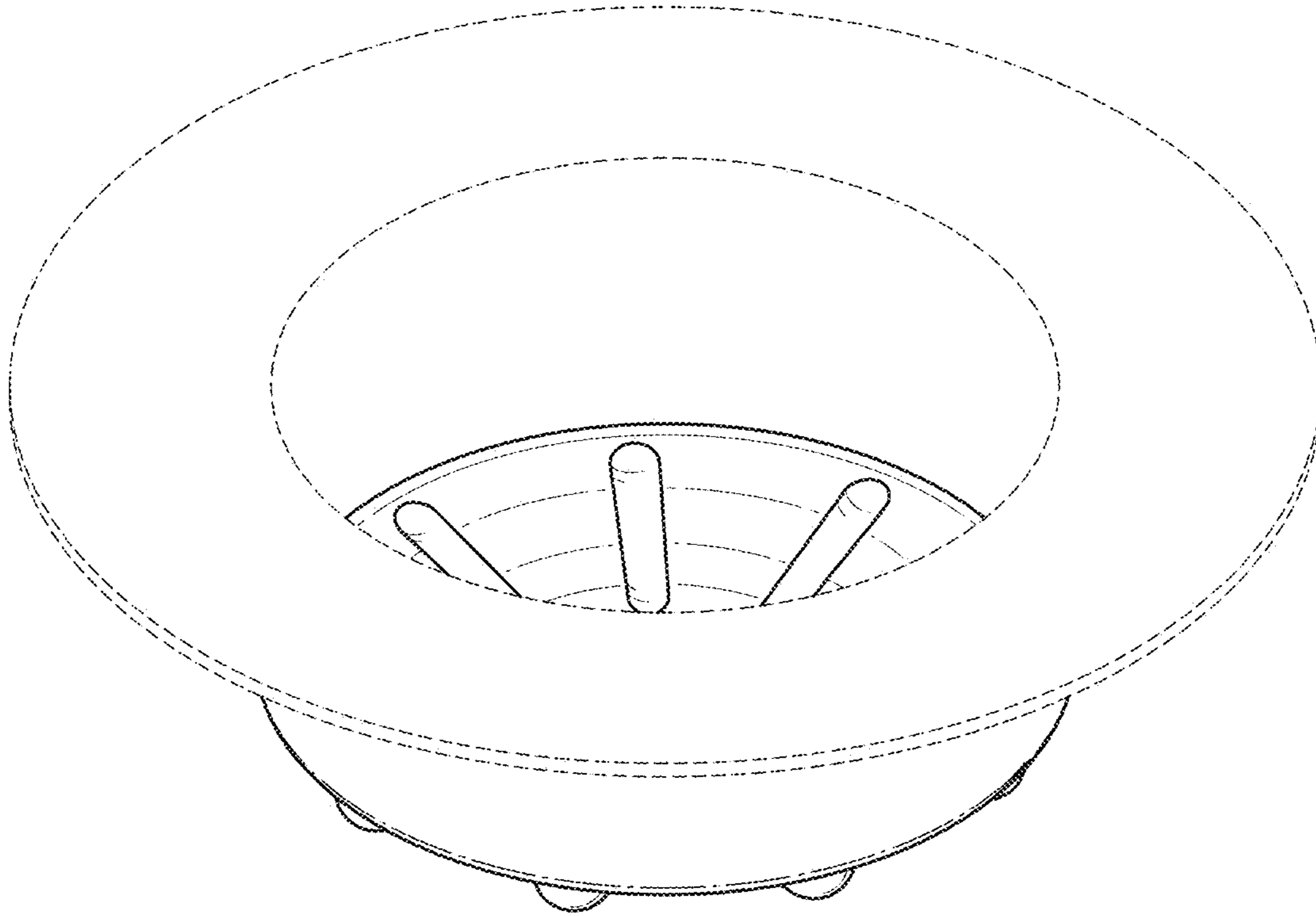


FIG. 2

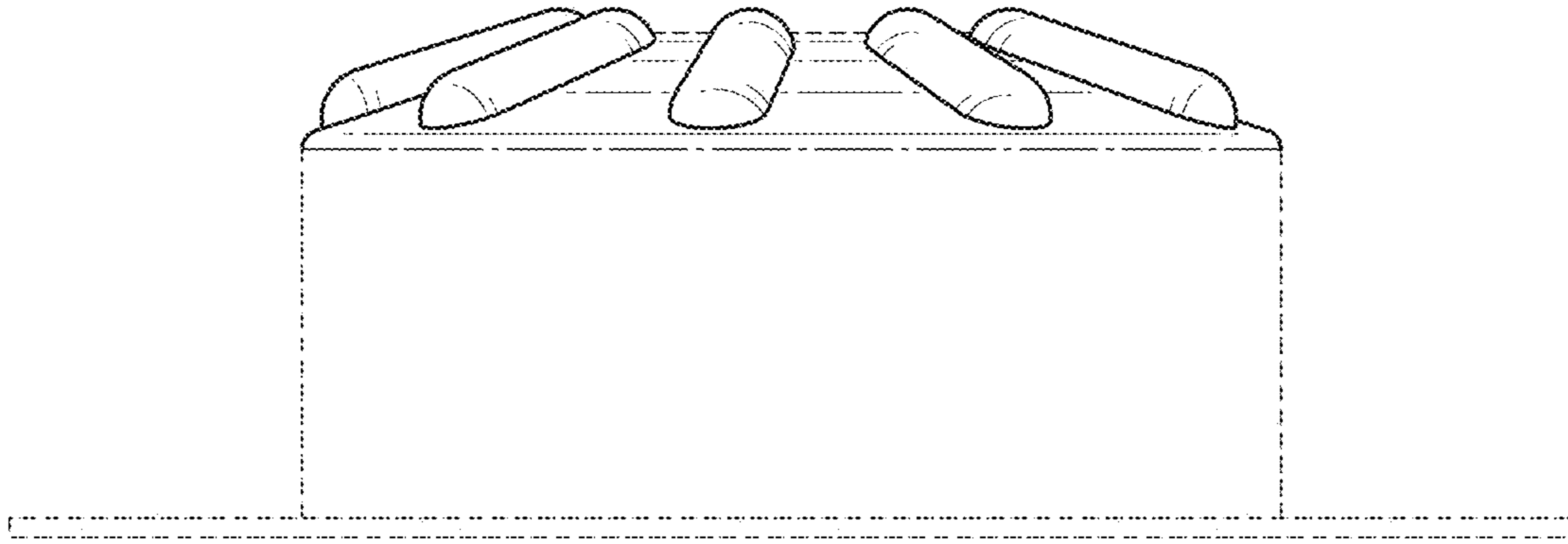


FIG. 3

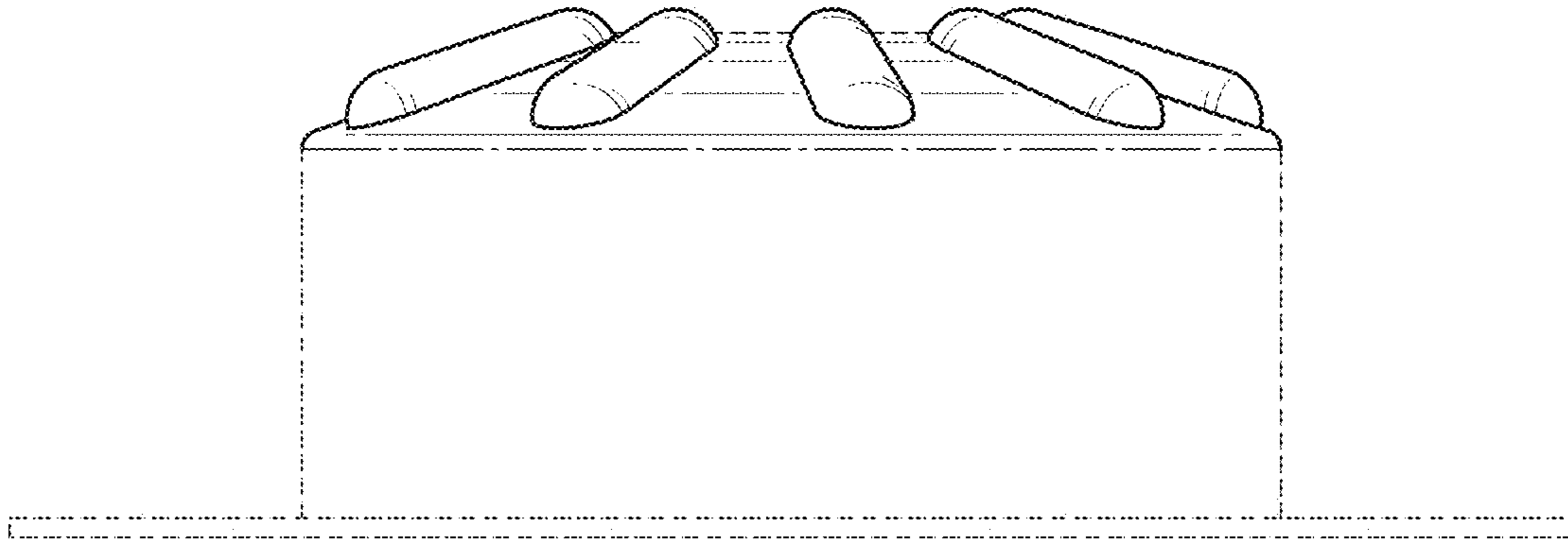


FIG. 4



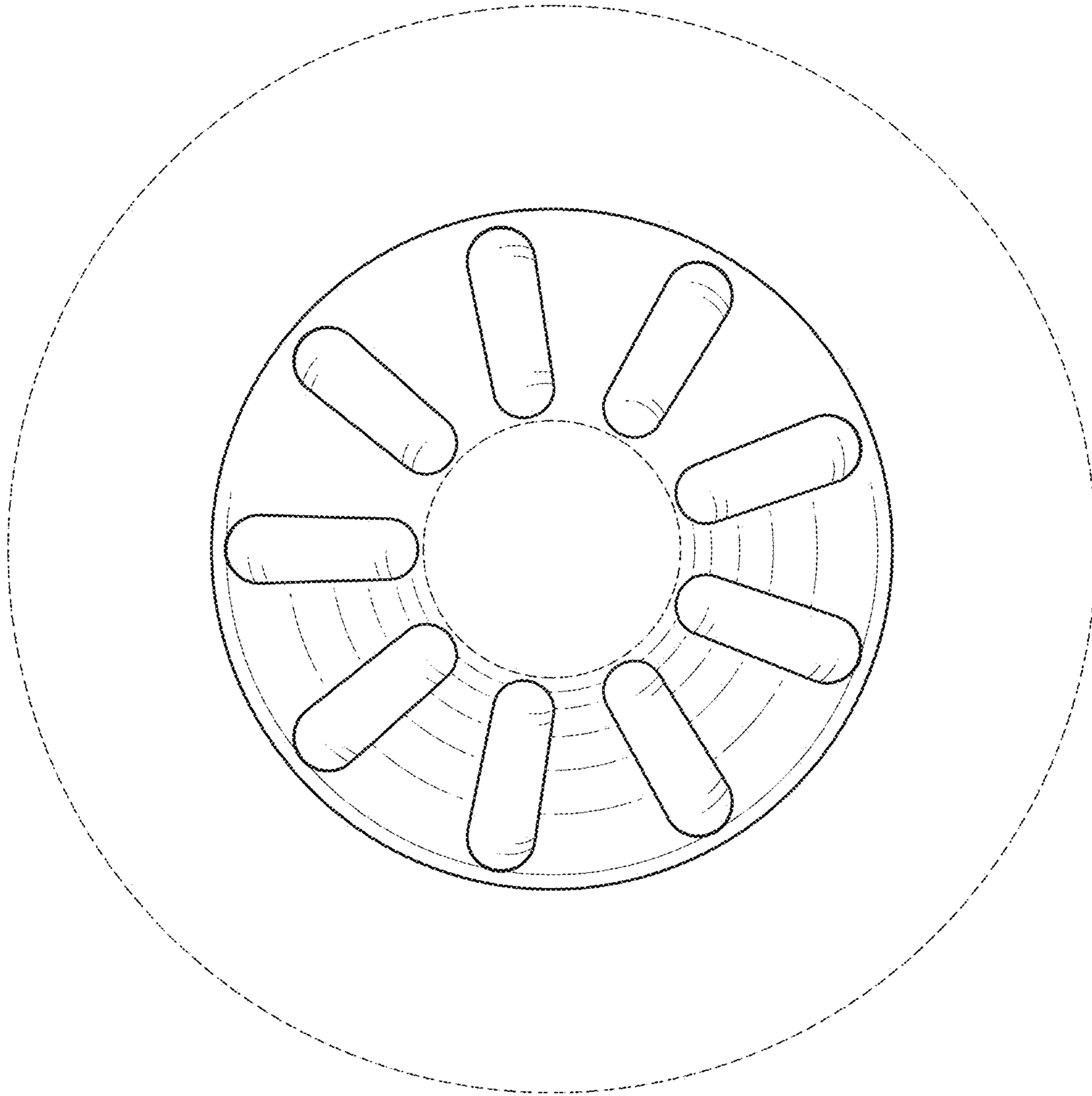


FIG. 5

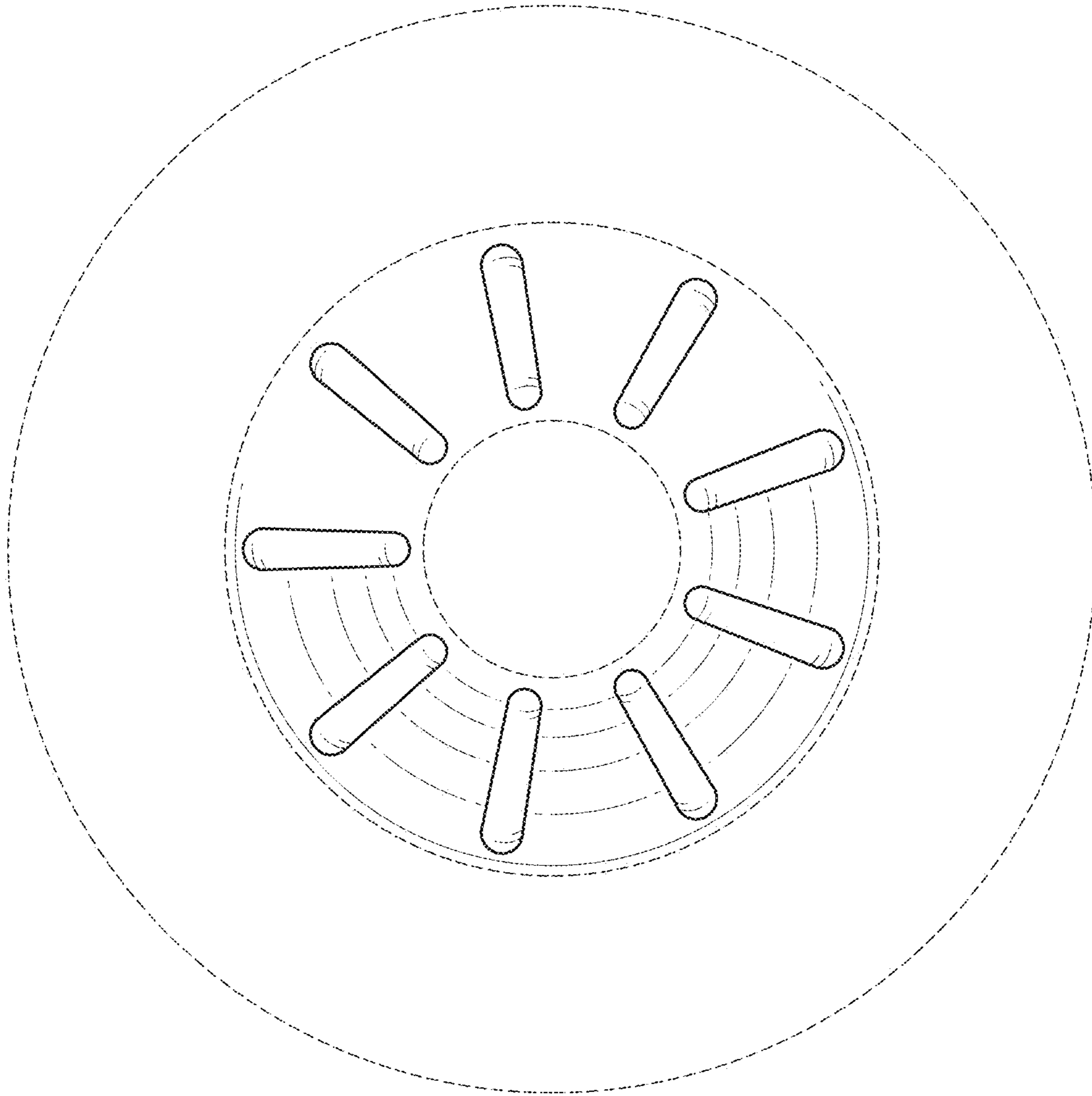


FIG. 6



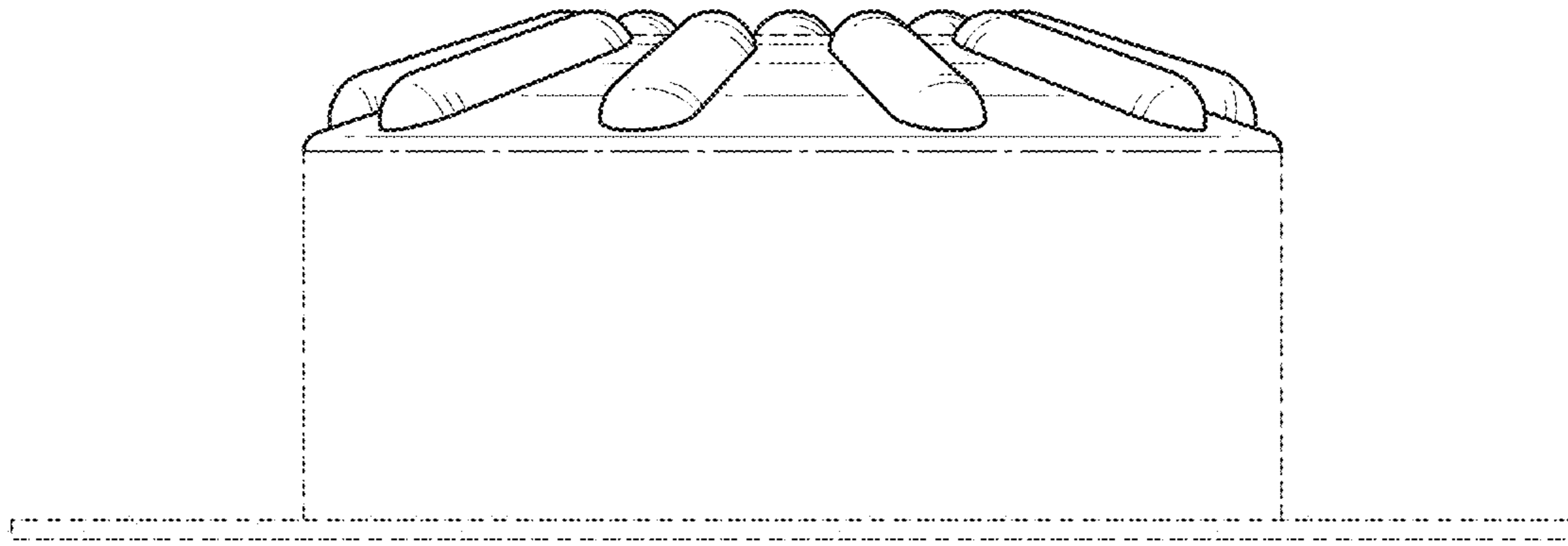


FIG. 7

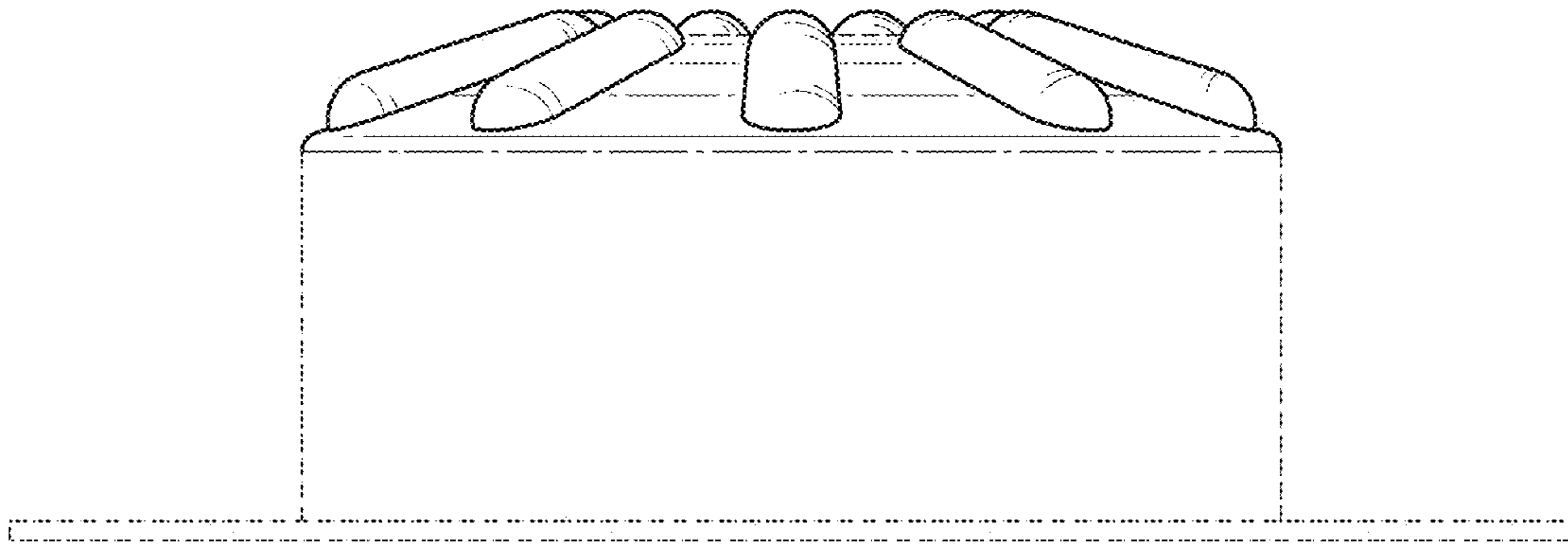


FIG. 8

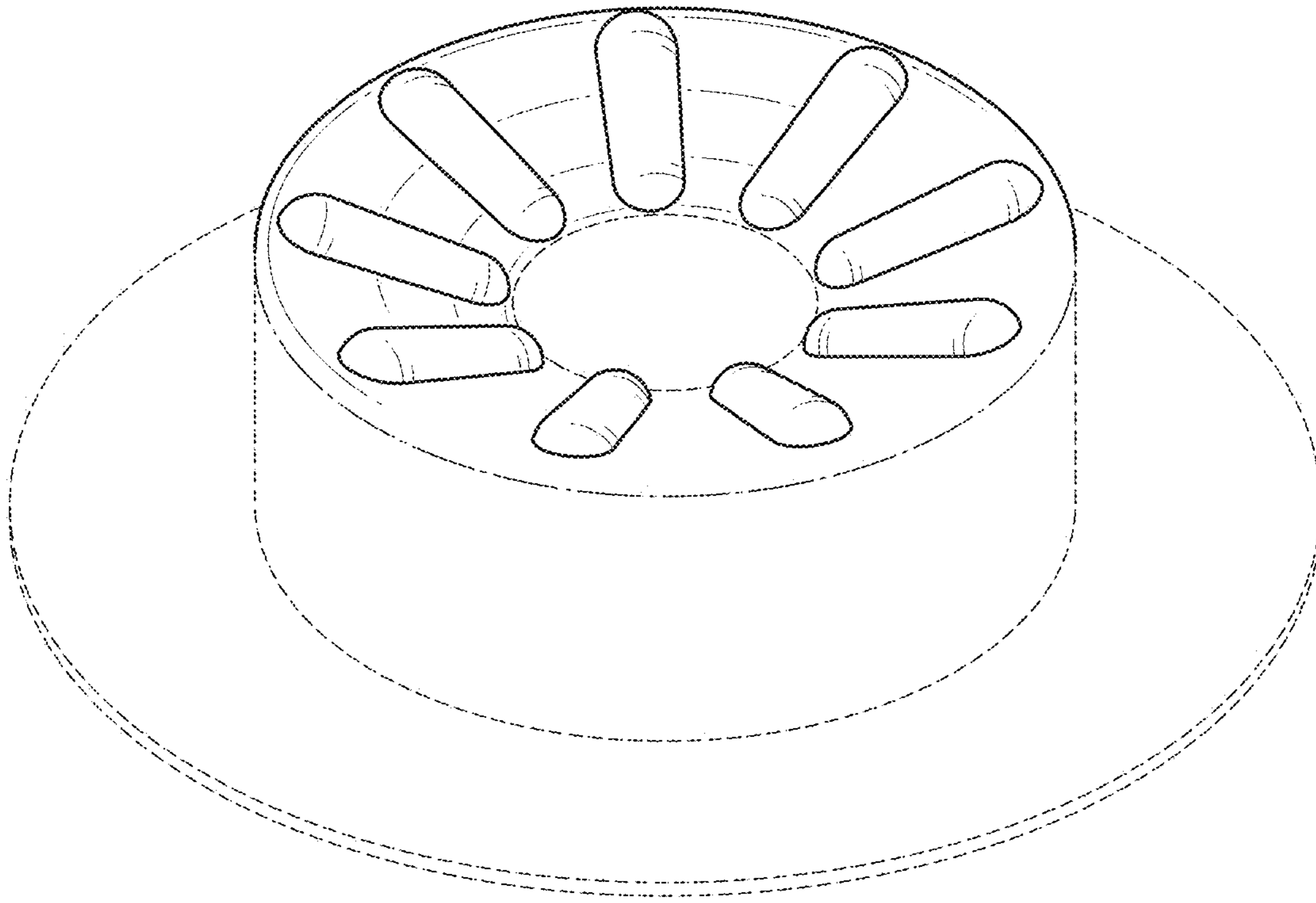


FIG. 9

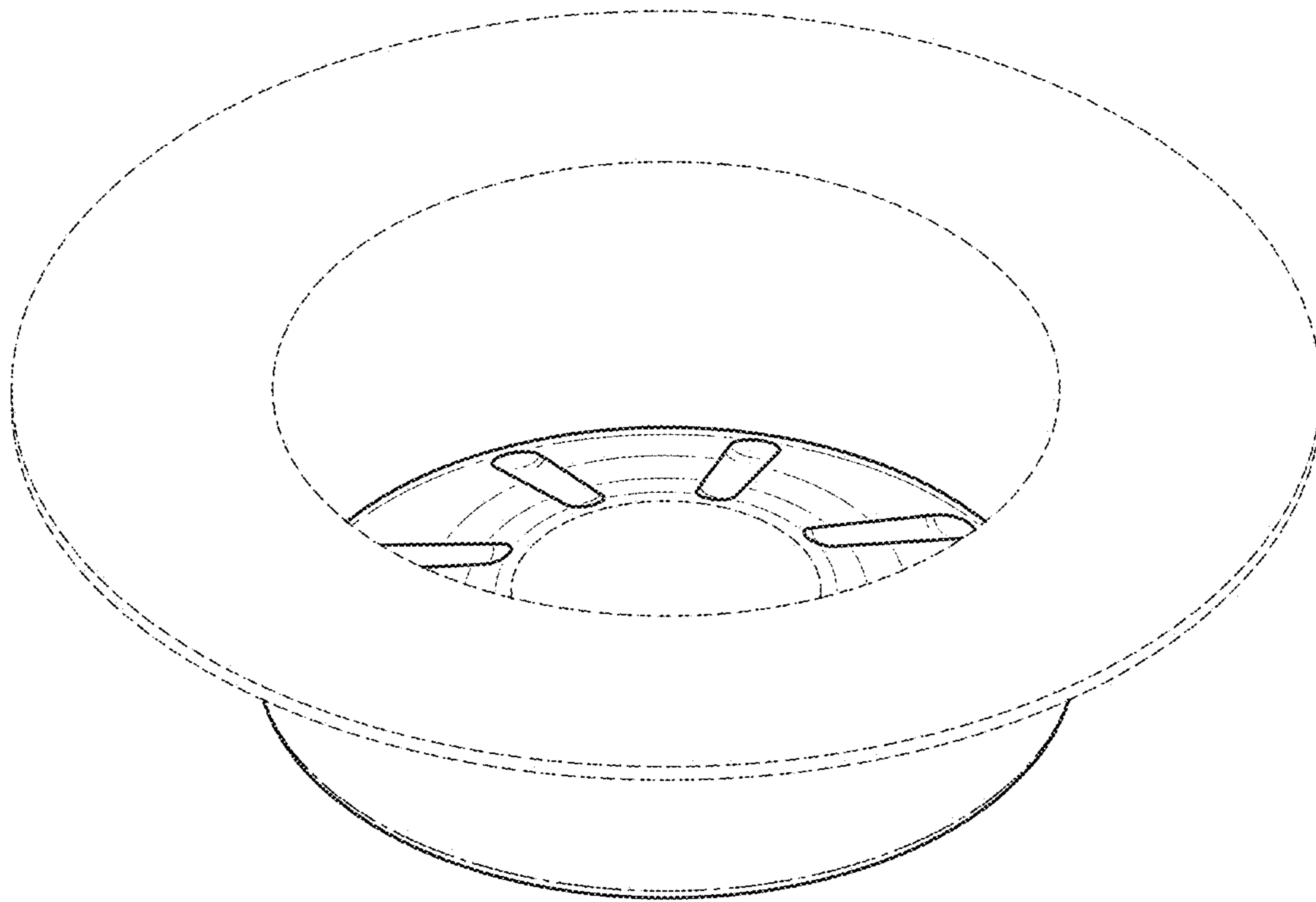


FIG. 10

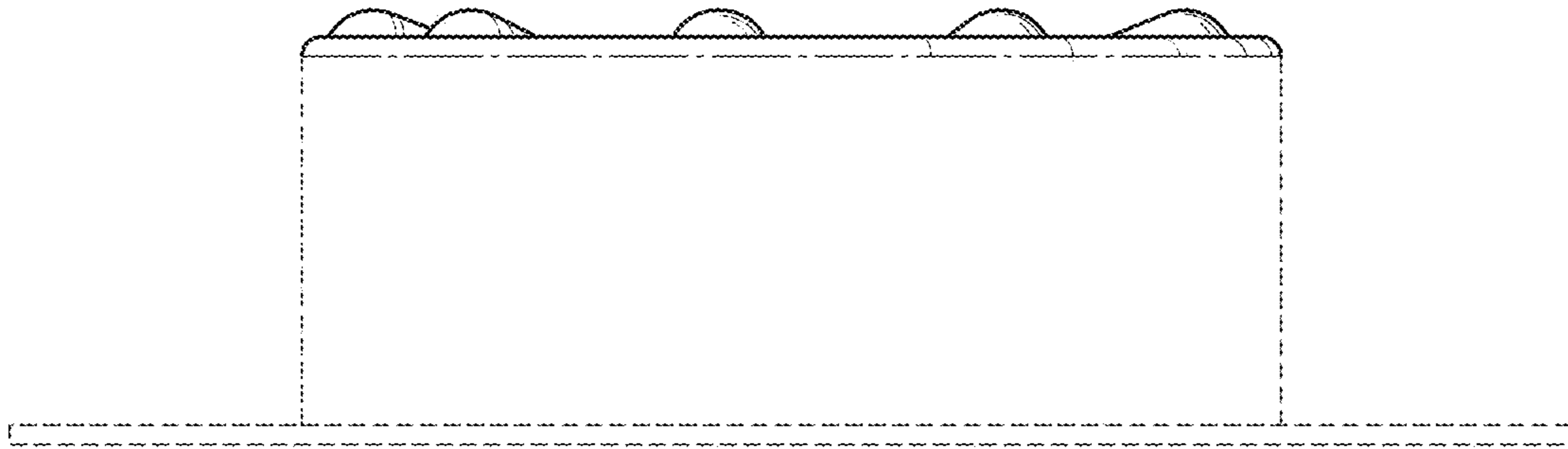


FIG. 11