



US00D929590S

(12) **United States Design Patent** (10) **Patent No.:** **US D929,590 S**  
**Sato et al.** (45) **Date of Patent:** **\*\* Aug. 31, 2021**

(54) **NEEDLE HOLDER FOR ENDOSCOPIC SURGERY**

(71) Applicant: **OLYMPUS CORPORATION,**  
Hachioji (JP)

(72) Inventors: **Masatoshi Sato,** Tokyo (JP); **Takayuki Hatanaka,** Hachioji (JP); **Keisei Shimoda,** Hachioji (JP); **Nao Inoue,** Hachioji (JP); **Yoko Kamato,** Hachioji (JP); **Shuma Sasaki,** Hachioji (JP); **Elena Shimoji,** Hachioji (JP); **Shohei Hemmi,** Hachioji (JP)

(73) Assignee: **OLYMPUS CORPORATION,**  
Hachioji (JP)

(\*\*) Term: **15 Years**

(21) Appl. No.: **29/718,569**

(22) Filed: **Dec. 26, 2019**

(51) **LOC (13) Cl.** ..... **24-02**

(52) **U.S. Cl.**  
USPC ..... **D24/143**

(58) **Field of Classification Search**  
USPC ..... D24/127-131, 112-114, 133, 186, 118,  
D24/143-148; 606/181, 185; 604/264,  
604/523-528, 272, 187, 158,  
604/164.01-164.11, 181, 184, 227  
CPC ..... A61B 17/062; A61B 2017/0608; A61B  
17/0469; A61B 17/29; A61B 2017/00296  
See application file for complete search history.

(56) **References Cited**

**U.S. PATENT DOCUMENTS**

5,417,701 A \* 5/1995 Holmes ..... A61B 17/0469  
606/147  
D689,606 S \* 9/2013 John ..... D24/133

D773,044 S \* 11/2016 Koh ..... D24/143  
2006/0271074 A1\* 11/2006 Ewers ..... A61B 17/0401  
606/148  
2007/0078459 A1\* 4/2007 Johnson ..... A61B 17/320016  
606/51

(Continued)

**FOREIGN PATENT DOCUMENTS**

WO 2017145335 A1 8/2017  
WO 2019180867 A1 9/2019

**OTHER PUBLICATIONS**

Olympus medical website, Two-Piece Modular System, Mar. 26, 2021, <https://medical.olympusamerica.com/products/hiq-hand-instruments/needle-holders> (Year: 2021).\*

*Primary Examiner* — Nathan M Johnston

(74) *Attorney, Agent, or Firm* — Kenja IP Law PC

(57) **CLAIM**

The ornamental design for a needle holder for endoscopic surgery, as shown and described.

**DESCRIPTION**

FIG. 1 is a front perspective view of a needle holder for endoscopic surgery showing our new design in an opened state;

FIG. 2 is a front perspective view of the needle holder for endoscopic surgery of FIG. 1 shown in a closed state thereof; FIG. 3 is a front view of the needle holder for endoscopic surgery of FIG. 1, the rear view being a mirror image thereof;

FIG. 4 is a top plan view thereof;

FIG. 5 is a bottom plan view thereof;

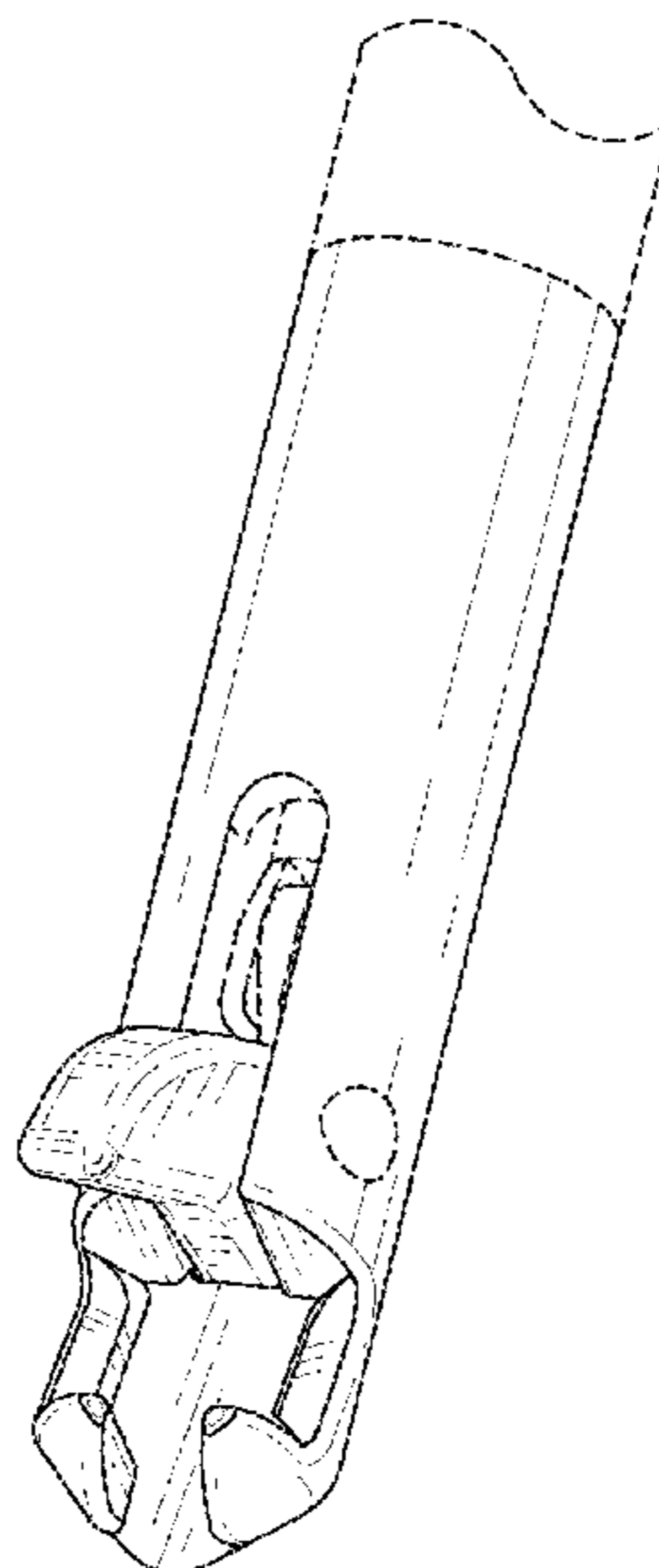
FIG. 6 is a left side view thereof;

FIG. 7 is a right side view thereof; and,

FIG. 8 is a front view of the needle holder for endoscopic surgery of FIG. 2.

The broken lines show portions of the needle holder for endoscopic surgery that form no part of the claimed design.

**1 Claim, 5 Drawing Sheets**



(56)

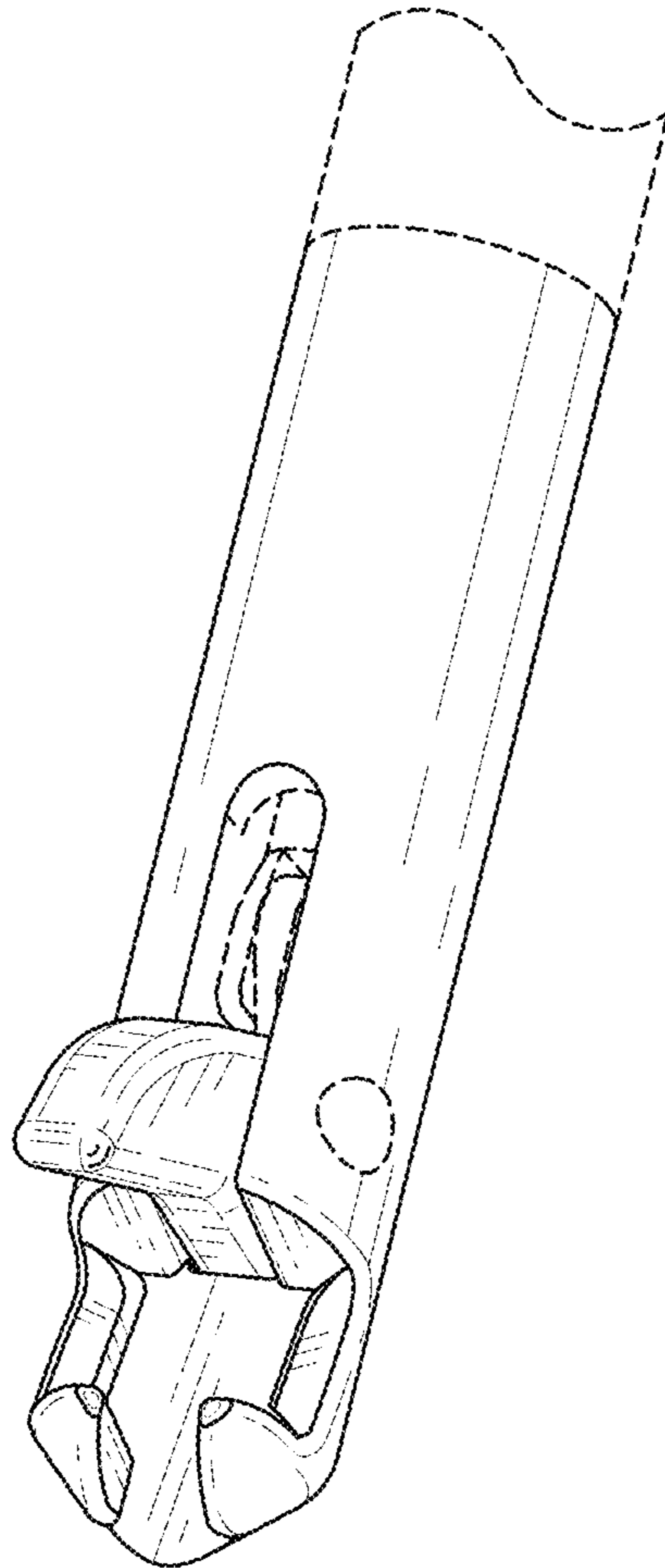
**References Cited**

U.S. PATENT DOCUMENTS

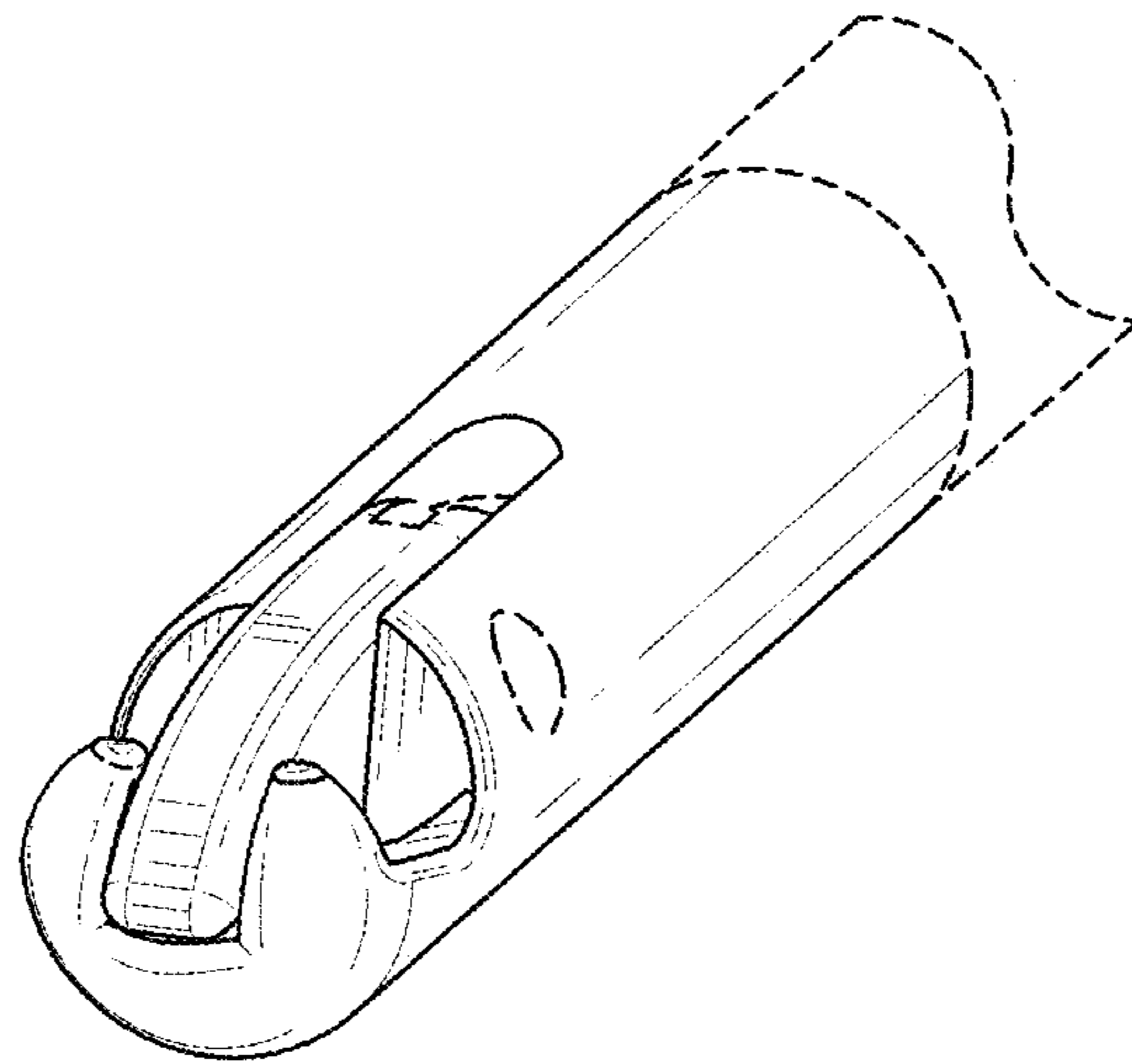
2013/0197484 A1\* 8/2013 Seddon ..... A61B 1/00071  
604/533  
2013/0197516 A1\* 8/2013 Kappel ..... A61B 18/1445  
606/46  
2019/0150967 A1\* 5/2019 Haber ..... A61B 10/04  
2020/0253625 A1\* 8/2020 Blase ..... A61B 17/282  
2020/0253677 A1\* 8/2020 Jinno ..... A61B 34/74  
2020/0289141 A1\* 9/2020 Yuan ..... A61B 34/71  
2020/0305870 A1\* 10/2020 Shelton, IV ..... A61B 17/07207  
2020/0405289 A1\* 12/2020 Sato ..... A61B 17/062

\* cited by examiner

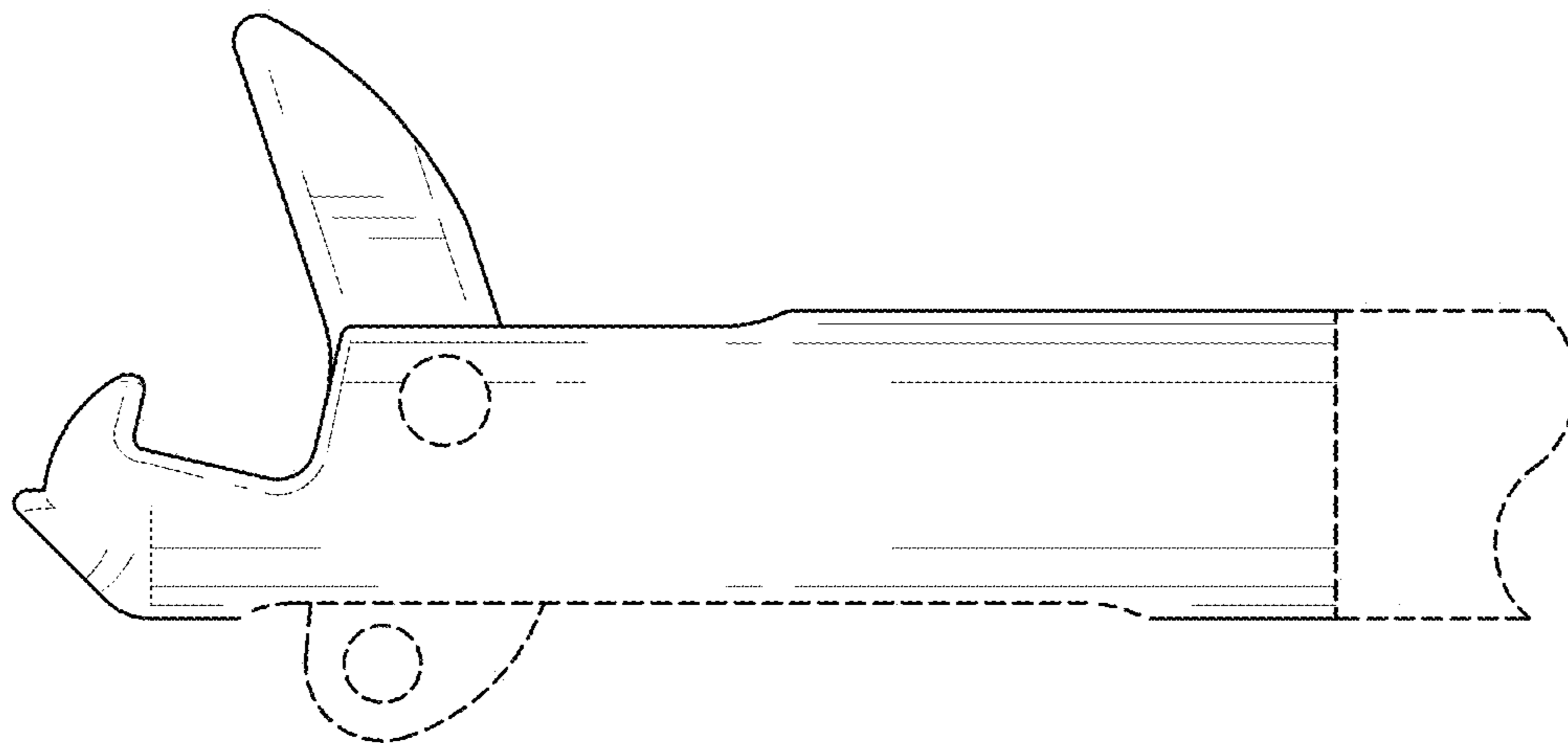
*FIG. 1*



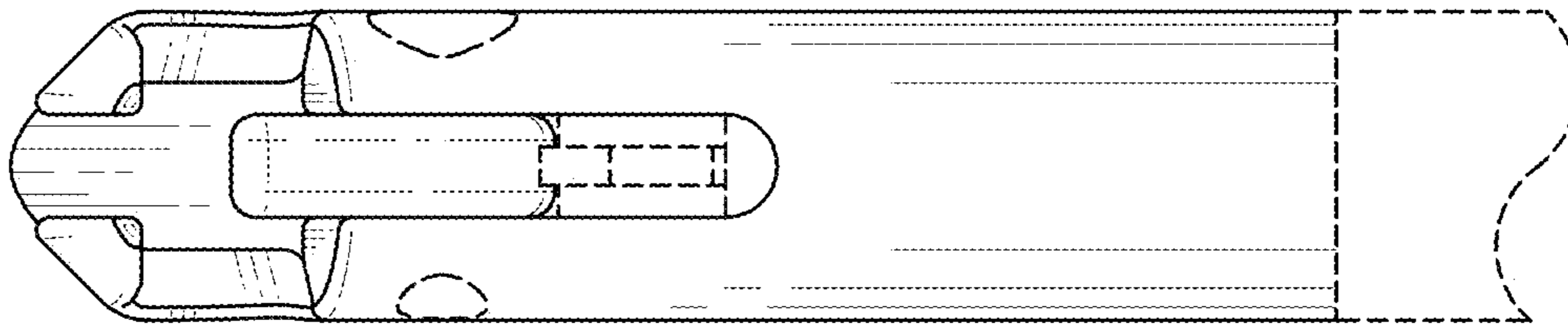
*FIG. 2*



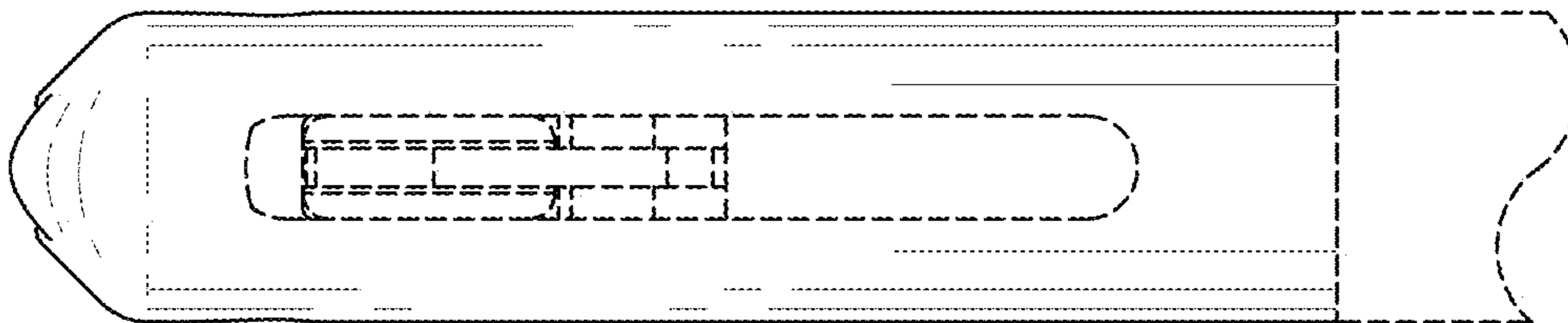
*FIG. 3*



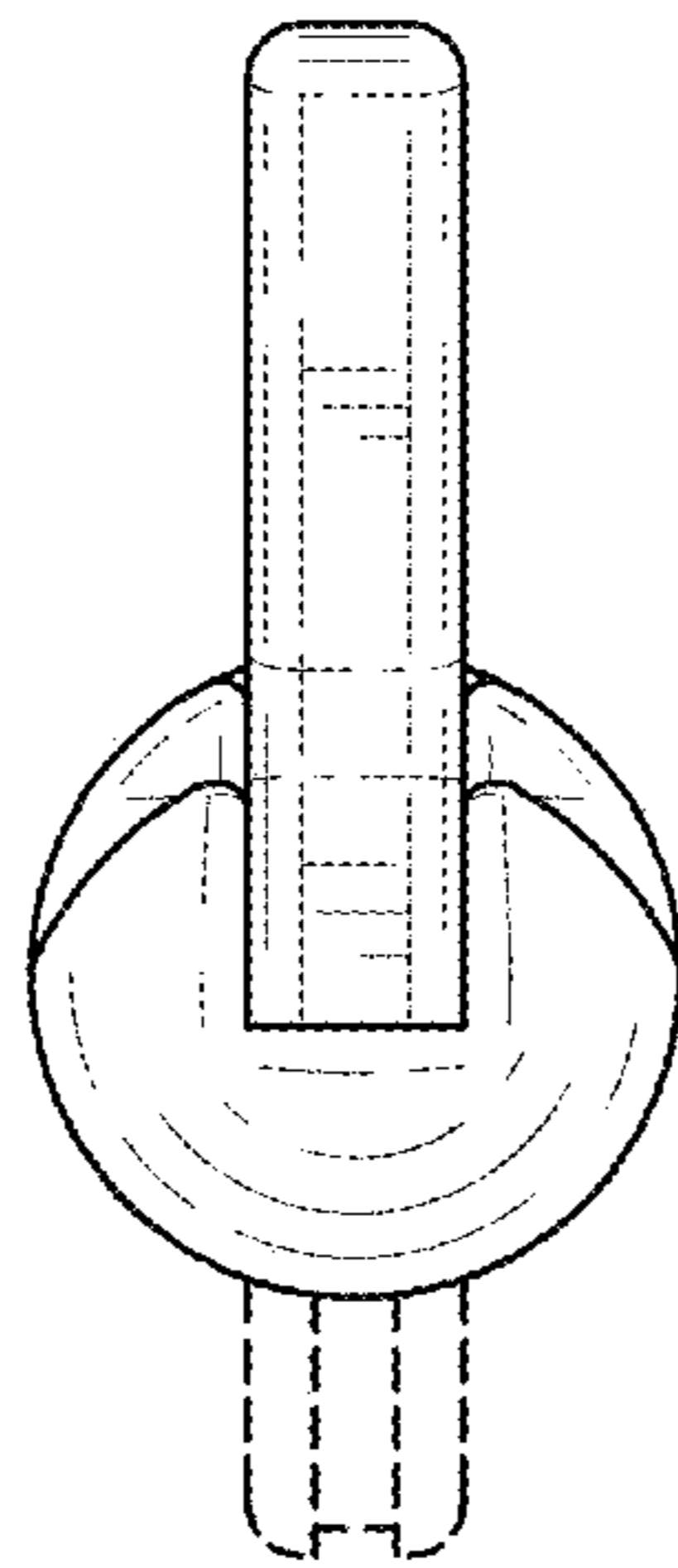
*FIG. 4*



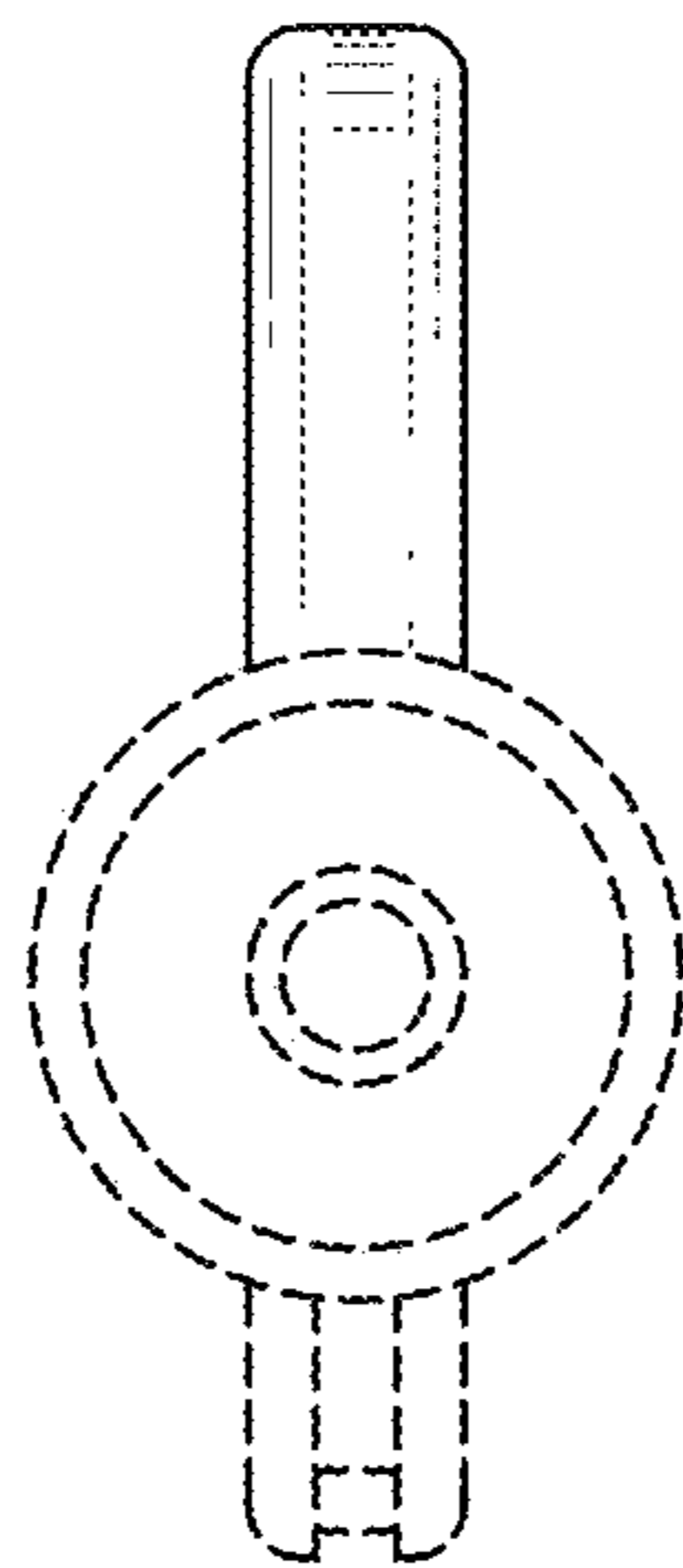
*FIG. 5*



*FIG. 6*



*FIG. 7*



*FIG. 8*

