



US00D929586S

(12) **United States Design Patent** (10) **Patent No.:** **US D929,586 S**
Williams et al. (45) **Date of Patent:** **** Aug. 31, 2021**

(54) **GUIDE TOOL**

(71) Applicant: **WEST GEN TECHNOLOGIES, L.L.C.**, Plainview, TX (US)

(72) Inventors: **Donald A. Williams**, Plainview, TX (US); **George J. Sikora**, Bridgewater, MA (US)

(73) Assignee: **WEST GEN TECHNOLOGIES, L.L.C.**, Plainview, TX (US)

D439,976 S 4/2001 Cote
6,267,766 B1 7/2001 Burkhart
6,290,101 B1 9/2001 Chang
6,635,073 B2 10/2003 Bonutti
D536,786 S * 2/2007 Schreiner D24/112
D585,547 S * 1/2009 Bisleri D24/133
D585,989 S * 2/2009 Leroy D24/146
D605,288 S * 12/2009 Brostoff D24/133
7,699,881 B2 4/2010 Willmann
D616,095 S * 5/2010 Kim D24/140
D629,896 S * 12/2010 Horton D24/133
D652,138 S * 1/2012 Nino D24/133

(Continued)

(**) Term: **15 Years**

(21) Appl. No.: **29/693,534**

(22) Filed: **Jun. 3, 2019**

(51) **LOC (13) Cl.** **24-02**

(52) **U.S. Cl.**
USPC **D24/140**

(58) **Field of Classification Search**
USPC D24/140, 133, 144-147
CPC A61B 17/0401; A61B 17/1714; A61B 17/1796; A61B 2017/00986; A61B 2017/00991; A61B 2017/0409; A61F 2/0811; A61F 2002/0852; A61F 2002/0888

See application file for complete search history.

(56) **References Cited**

U.S. PATENT DOCUMENTS

D163,282 S * 5/1951 Heschel D8/14
D302,297 S * 7/1989 Chechelski D24/147
5,147,367 A 9/1992 Ellis
5,380,334 A 1/1995 Torrie et al.
5,387,213 A 2/1995 Breard et al.
5,522,843 A 6/1996 Zang
D379,510 S * 5/1997 Bays D24/133
5,725,581 A 3/1998 Branemark
5,904,704 A 5/1999 Goble et al.
6,139,565 A 10/2000 Stone et al.
D439,337 S * 3/2001 Jones D24/133

OTHER PUBLICATIONS

International Searching Authority, International Search Report and Written Opinion for related application (PCT/US2019/035230), dated Oct. 1, 2019; 9 pages.

Primary Examiner — Bridget L Eland
(74) *Attorney, Agent, or Firm* — Mark E. Scott; K. Lance Anderson; Dickinson Wright PLLC

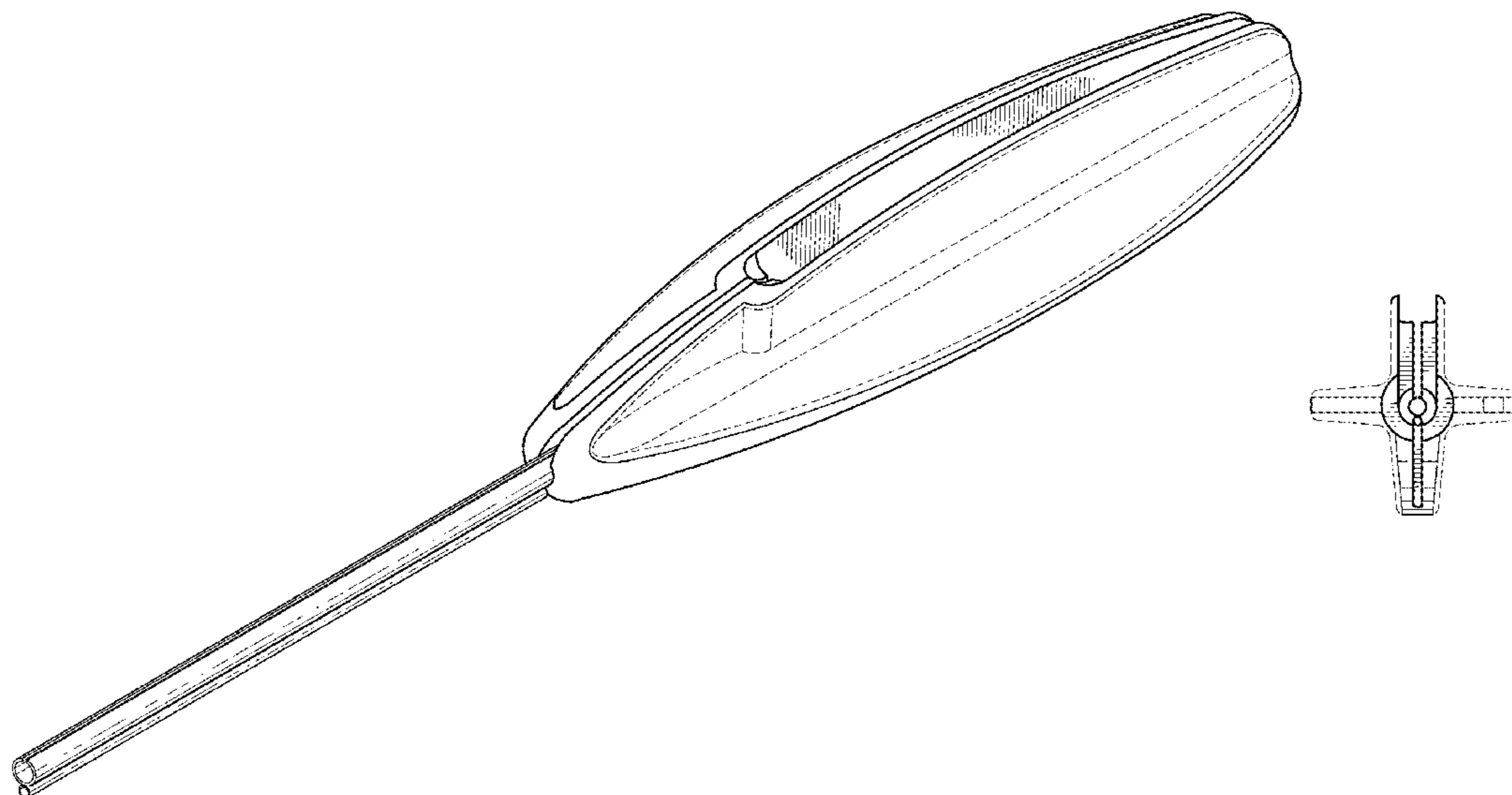
(57) **CLAIM**

The ornamental design for a guide tool, as shown and described.

DESCRIPTION

FIG. 1 is a front perspective view of a guide tool showing the new design;
FIG. 2 is a back perspective view thereof;
FIG. 3 is a first side view thereof;
FIG. 4 is a second side view thereof;
FIG. 5 is a top view thereof;
FIG. 6 is a bottom view thereof;
FIG. 7 is a front view thereof; and,
FIG. 8 is a back view thereof.
The broken lines in the drawings are for the purpose of illustrating portions of the guide tool that form no part of the claimed design.

1 Claim, 5 Drawing Sheets



(56)

References Cited

U.S. PATENT DOCUMENTS

D655,413 S *	3/2012	Nino	D24/133	2005/0267478 A1	12/2005	Corradi et al.	
D656,610 S *	3/2012	Kleiner	D24/133	2006/0142784 A1	6/2006	Kontos	
D693,470 S	11/2013	Fagan		2007/0100350 A1	5/2007	Deffenbaugh et al.	
D722,698 S	2/2015	Frankel et al.		2007/0198017 A1	8/2007	Tschakaloff et al.	
D734,460 S *	7/2015	Froidevaux	D24/146	2008/0009904 A1	1/2008	Bourque et al.	
D734,461 S *	7/2015	Froidevaux	D24/146	2008/0065120 A1	3/2008	Zannis et al.	
D735,329 S *	7/2015	Froidevaux	D24/146	2008/0109038 A1	5/2008	Steiner et al.	
D737,443 S	8/2015	Ciravolo et al.		2008/0167660 A1	7/2008	Moreau et al.	
9,358,054 B2	6/2016	Garcia et al.		2009/0125071 A1	5/2009	Skinlo et al.	
D779,059 S *	2/2017	Nino	D24/133	2010/0004683 A1	1/2010	Hoof et al.	
D779,060 S *	2/2017	Nino	D24/133	2010/0063541 A1	3/2010	Brunelle et al.	
D779,663 S *	2/2017	Nino	D24/133	2011/0295279 A1	12/2011	Stone et al.	
D798,446 S *	9/2017	Nino	D24/133	2012/0022594 A1	1/2012	Walker et al.	
9,877,715 B2	1/2018	Sakai		2012/0109156 A1	5/2012	Overes et al.	
D828,556 S *	9/2018	Anderson	D24/145	2013/0079813 A1	3/2013	Li et al.	
D828,921 S *	9/2018	Anderson	D24/145	2013/0190570 A1	7/2013	Hirsch et al.	
D840,031 S *	2/2019	Teufel	D24/140	2013/0317506 A1 *	11/2013	Sikora	A61B 17/1675 606/80
2002/0161401 A1	10/2002	Steiner		2014/0081281 A1	3/2014	Felder	
2003/0088251 A1	5/2003	Braun et al.		2014/0228848 A1	8/2014	Torrie et al.	
2003/0204193 A1	10/2003	Gabriel et al.		2014/0364862 A1	12/2014	Bennett et al.	
2004/0153074 A1	8/2004	Bojarski et al.		2016/0278760 A1	9/2016	McDevitt	
2004/0267278 A1	12/2004	Overaker		2017/0120270 A1	5/2017	Warren	
2005/0075540 A1	4/2005	Shluzas et al.		2017/0181758 A1	6/2017	Brotman	
2005/0107828 A1	5/2005	Reese		2019/0314059 A1	10/2019	Coppedge et al.	
				2019/0365373 A1 *	12/2019	Williams	A61B 17/8875

* cited by examiner

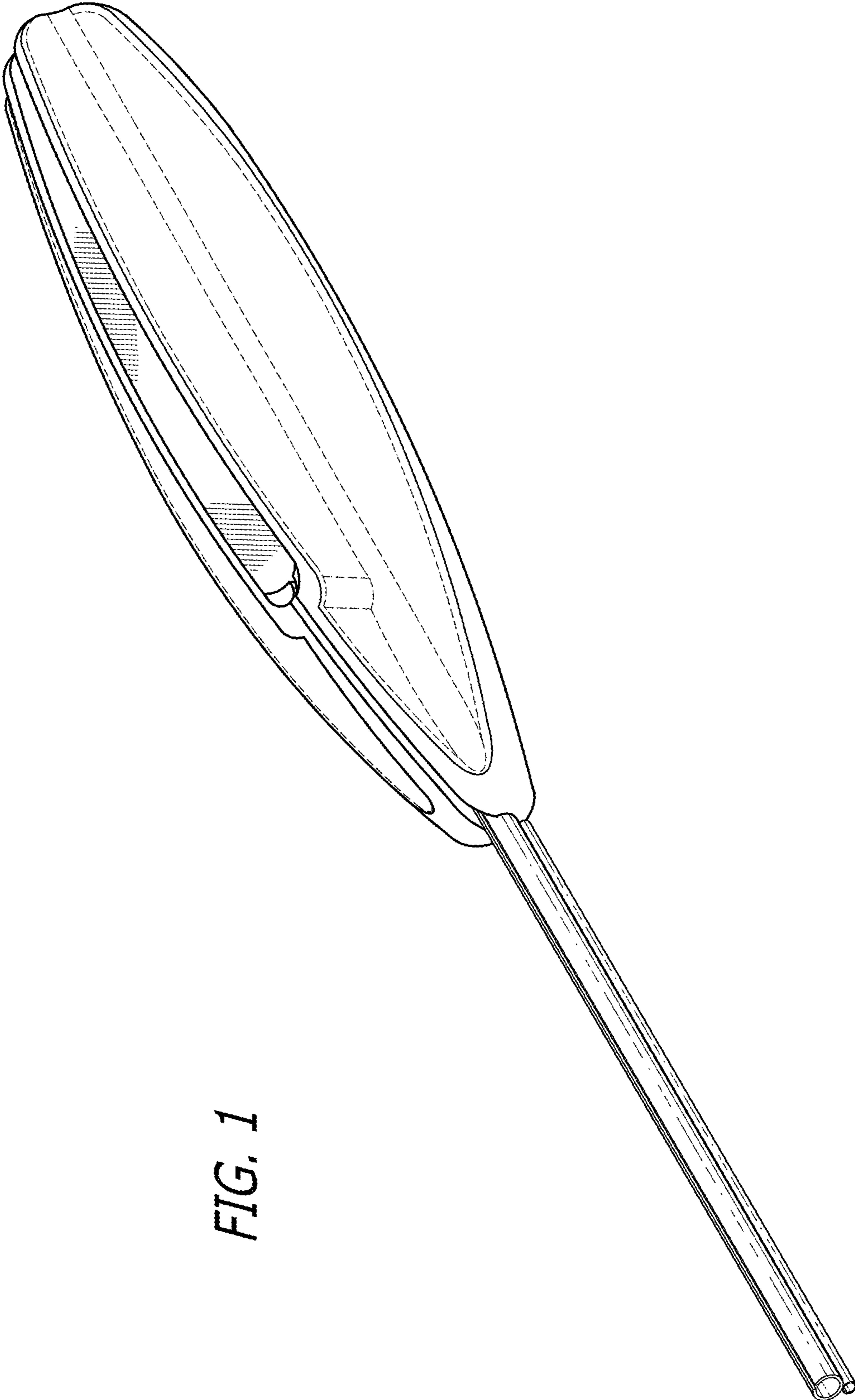


FIG. 1

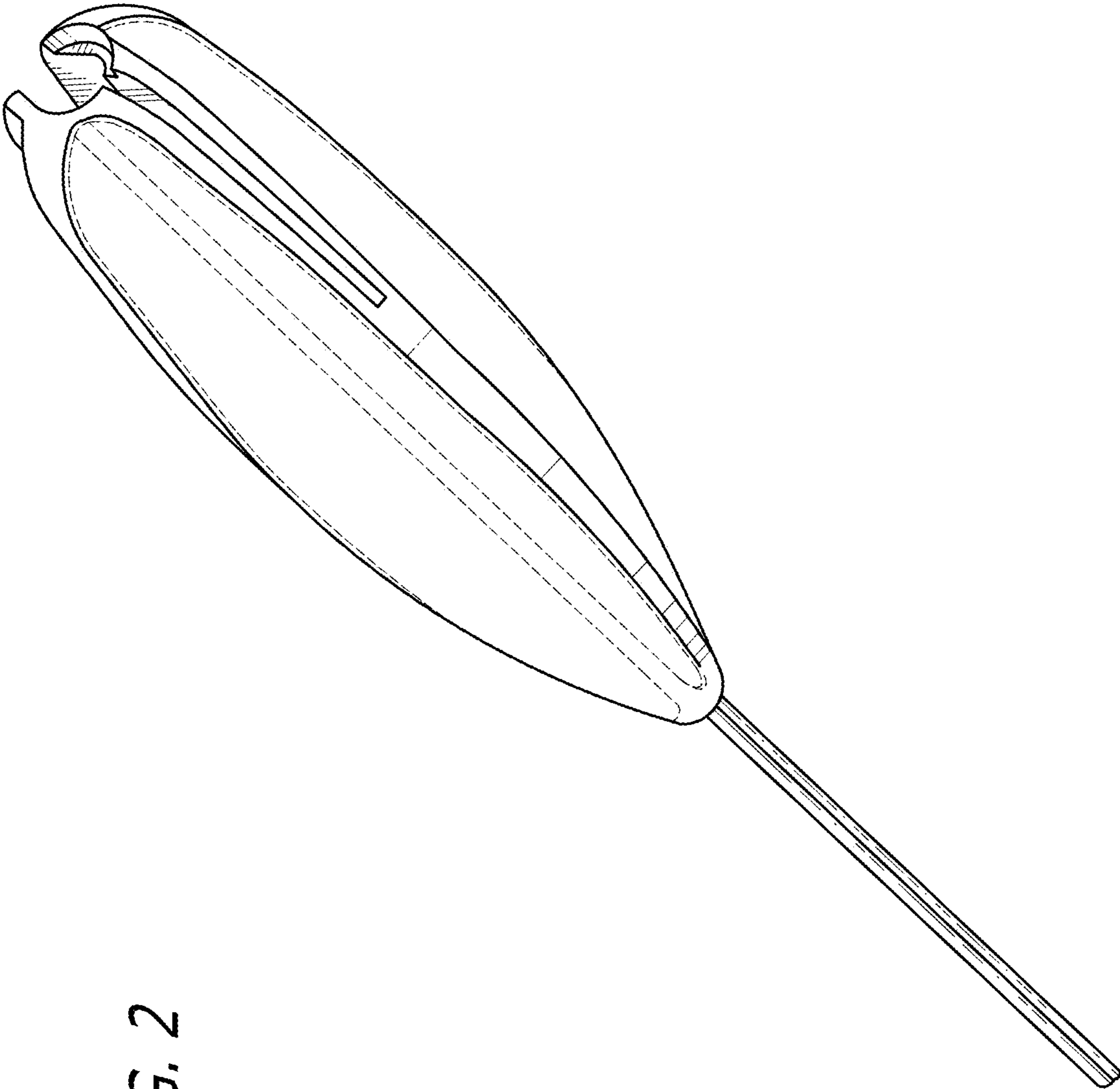


FIG. 2

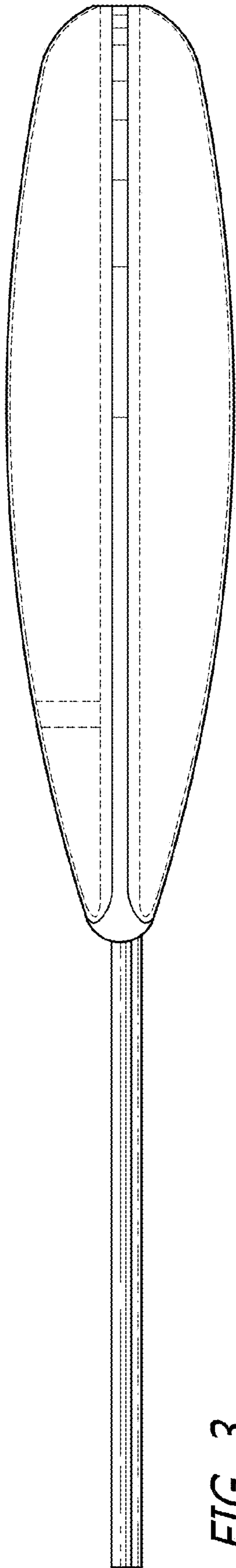


FIG. 3

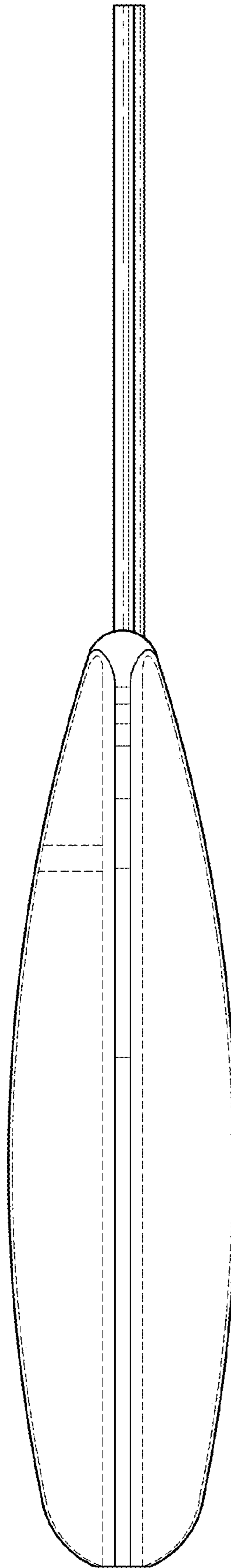
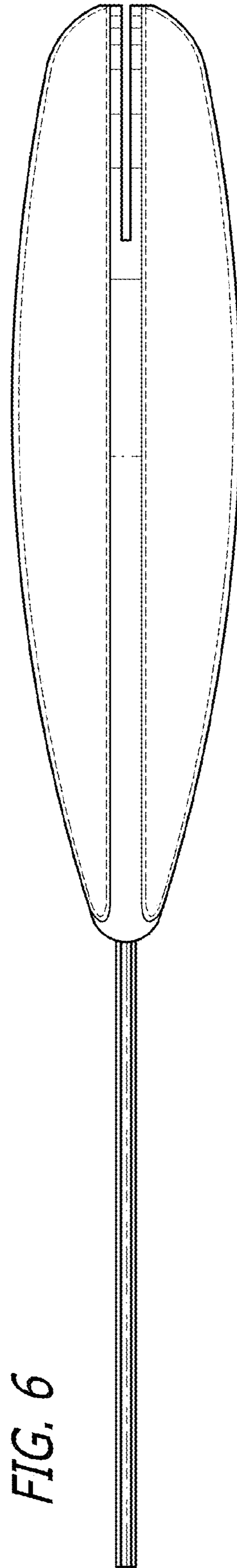
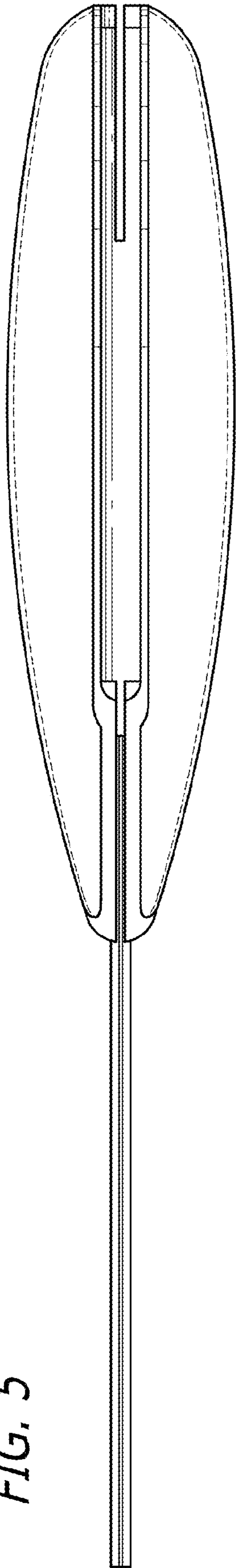


FIG. 4



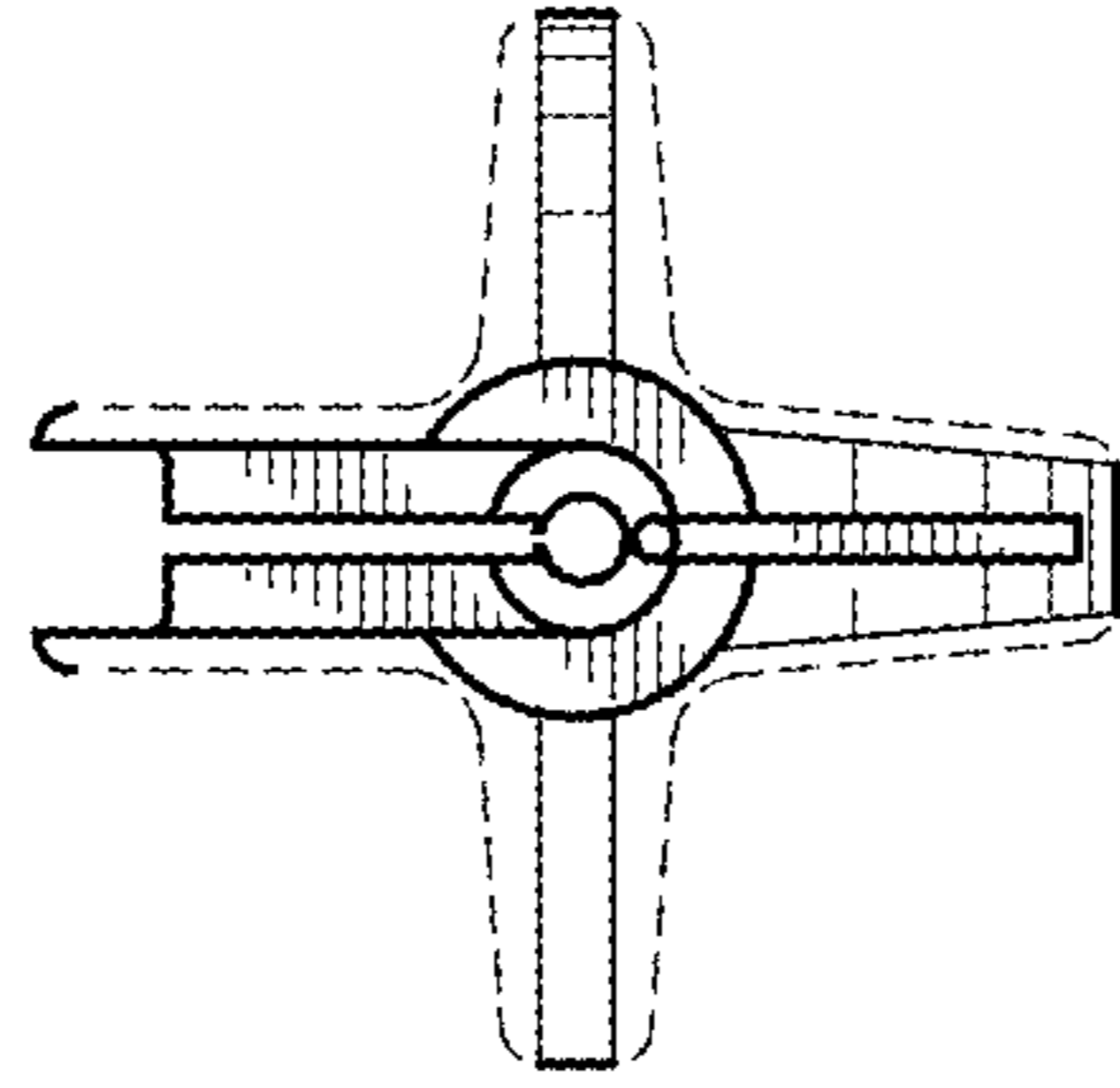


FIG. 8

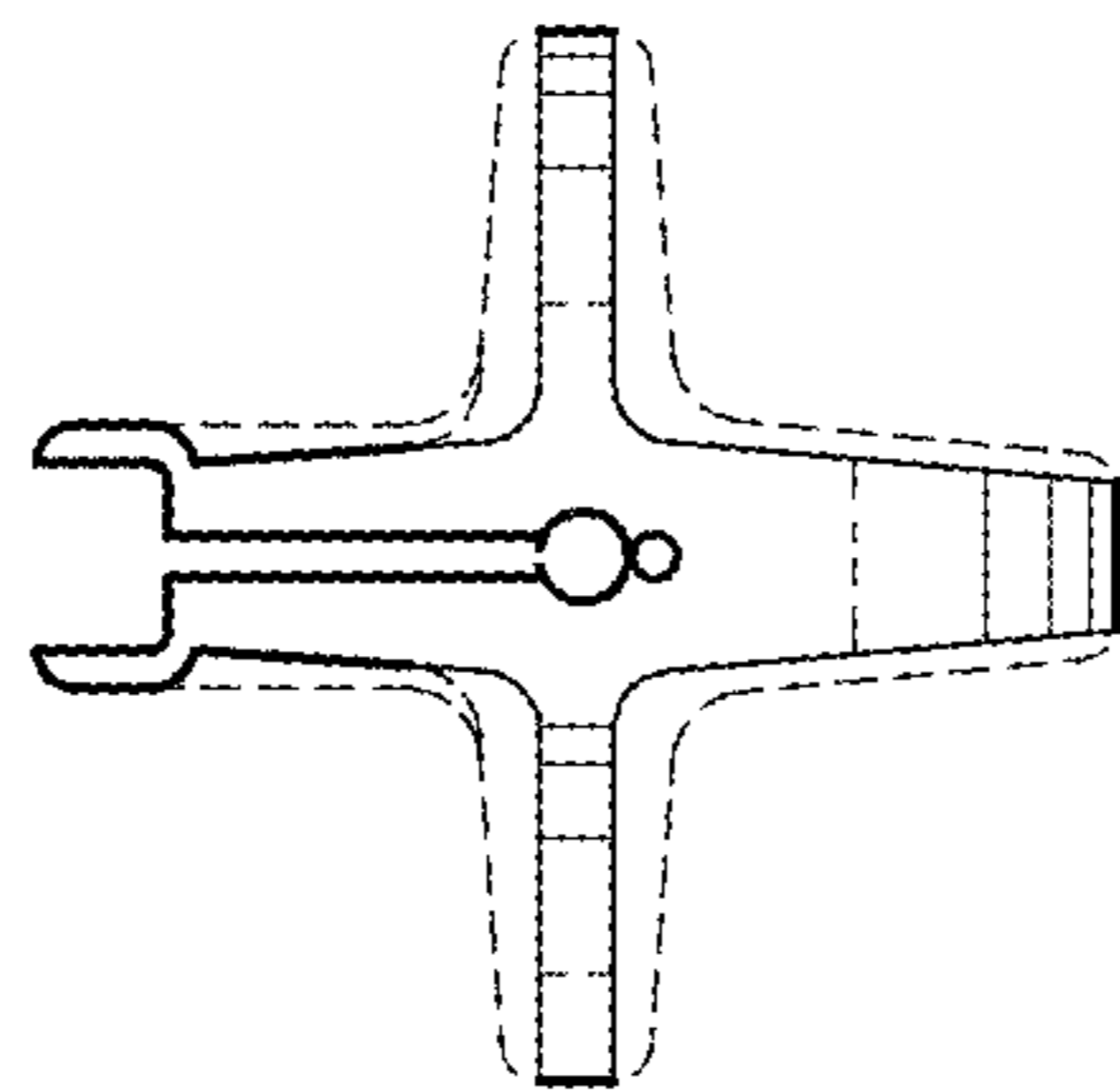


FIG. 7