



US00D929585S

(12) **United States Design Patent** (10) **Patent No.:** **US D929,585 S**
Sharp et al. (45) **Date of Patent:** **** Aug. 31, 2021**

(54) **ENDOSCOPE**
(71) Applicant: **Integrated Endoscopy, Inc.**, Irvine, CA (US)

D325,857 S * 5/1992 Hasegawa D8/61
D349,559 S * 8/1994 Vanderhoef D23/227
D350,194 S * 8/1994 Marino D24/108
D352,780 S * 11/1994 Glaeser D24/133

(Continued)

(72) Inventors: **Bradley Jay Sharp**, Irvine, CA (US);
Siddharth Balvantrai Desai, Mission Viejo, CA (US)

FOREIGN PATENT DOCUMENTS

(73) Assignee: **Integrated Endoscopy, Inc.**, Irvine, CA (US)

CN 305308624 * 8/2019
EP 2 623 018 A 8/2013
KR 300843231.0000 * 3/2016

(**) Term: **15 Years**

OTHER PUBLICATIONS

(21) Appl. No.: **29/727,467**

PCT International Search Report and Written Opinion dated May 28, 2020 regarding International Application No. PCT/US2020/021490, 16 pages.

(22) Filed: **Mar. 11, 2020**

(Continued)

(51) **LOC (13) Cl.** **24-02**

(52) **U.S. Cl.**
USPC **D24/138**

Primary Examiner — T Chase Nelson

Assistant Examiner — Kelly L Gross

(58) **Field of Classification Search**

USPC D24/108, 112, 113, 114, 115, 116, 117, D24/127, 133, 134, 136, 137, 138, 143, D24/145, 200, 144, 147, 152, 130, 146, D24/119, 153, 154, 156, 118, 201, 202, D24/222; D8/14, 16, 19, 21, 82, 83, 84, D8/85, 86, 107, 34, 300, 303, 314, 372, D8/374, 394, 77, 17, 22, 23, 24, 25, 26, D8/27, 28, 29, 52, 55, 81, 87, 102, 103, D8/104, 105, 106, 98, 99, 93, 94, 338, D8/343, 352, 387, 321, DIG. 1, DIG. 2, D8/61, 62, 66-70; D28/55-57, 65; D23/223-226; D21/325, 329, 331; D14/401; D13/162; D4/102; D32/15, D32/17, 19

(74) *Attorney, Agent, or Firm* — Knobbe, Martens, Olson & Bear LLP

CPC A61B 1/00; A61B 1/267; A61B 1/0052; A61B 1/0684; A61B 1/00039; B23B 45/003; B23B 45/008; B25F 3/00

See application file for complete search history.

(57) **CLAIM**

The ornamental design for an endoscope, as shown and described.

(56) **References Cited**

U.S. PATENT DOCUMENTS

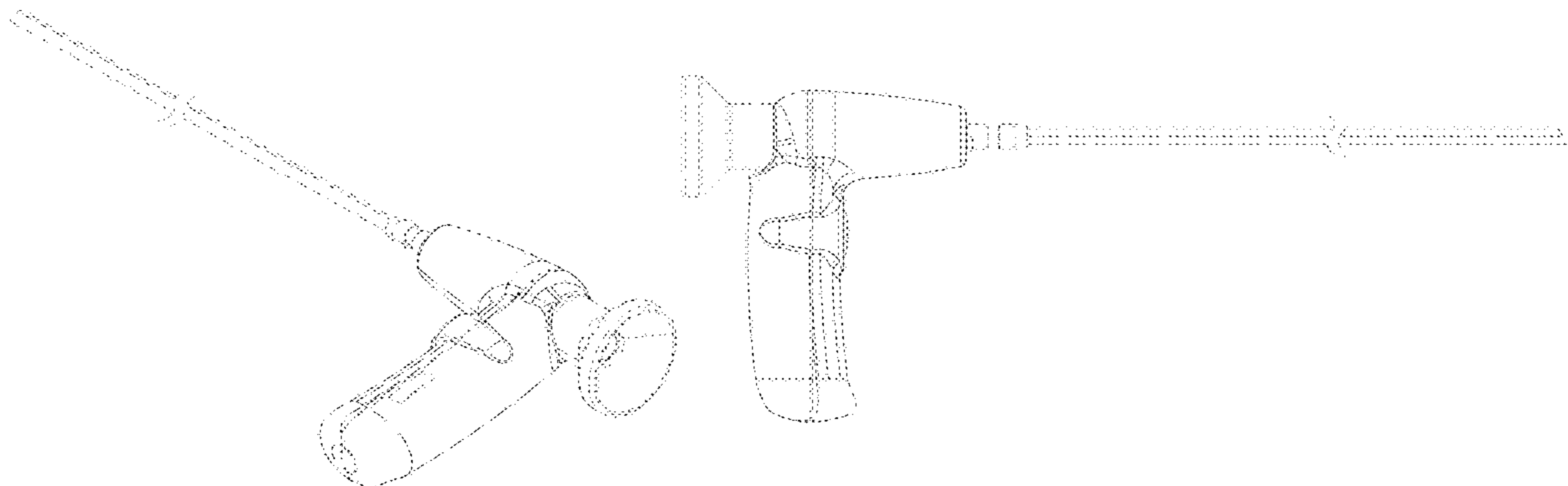
D250,084 S * 10/1978 Kirschensteiner D8/68
D292,227 S * 10/1987 Rudelick D23/226

DESCRIPTION

FIG. 1 is a rear perspective view of an endoscope embodying my new design;
FIG. 2 is a left side view thereof;
FIG. 3 is a right side view thereof;
FIG. 4 is a top view thereof;
FIG. 5 is a bottom view thereof;
FIG. 6 is a rear view thereof; and,
FIG. 7 is a front view thereof.

The broken lines illustrate portions of the article that form no part of the claimed design.

1 Claim, 5 Drawing Sheets



(56)

References Cited

U.S. PATENT DOCUMENTS

D352,872 S *	11/1994	Crockett	D8/1
D353,888 S *	12/1994	Raines	D24/146
D396,624 S *	8/1998	Basilus	D8/107
D409,563 S	5/1999	Haase	
D436,118 S *	1/2001	London	D16/130
D436,165 S *	1/2001	Donaldson	D24/113
D436,819 S *	1/2001	Liu	D8/68
D437,539 S *	2/2001	Kilmer	D8/68
D441,834 S *	5/2001	McGrath	D23/226
D453,376 S *	2/2002	McMahon	D24/108
D454,951 S *	3/2002	Bon	D24/108
D466,213 S *	11/2002	Snitkin	D24/133
D471,578 S	3/2003	Okuley	
D476,542 S *	7/2003	Chunn	D8/61
D478,986 S *	8/2003	Johnston	D24/133
D485,148 S *	1/2004	Chen	D8/68
D485,737 S *	1/2004	Schaub	D8/68
D486,370 S *	2/2004	Chen	D8/68
D486,713 S *	2/2004	Lai	D8/68
D487,219 S *	3/2004	Chudy	D8/68
D487,384 S *	3/2004	Neitzell	D8/64
D488,040 S *	4/2004	Chen	D8/68
D488,041 S *	4/2004	Chen	D8/68
D488,042 S *	4/2004	Enck	D8/70
D493,085 S *	7/2004	Copeland, II	D8/68
6,761,684 B1	7/2004	Speier	
D497,786 S *	11/2004	Concari	D8/68
D498,400 S *	11/2004	Wu	D8/68
D508,458 S	8/2005	Solland	
D508,835 S *	8/2005	Schiller	D8/68
D508,836 S *	8/2005	Schiller	D8/68
D509,119 S *	9/2005	Schiller	D8/68
D513,160 S *	12/2005	DeBoer	D8/68
D513,690 S *	1/2006	Etter	D8/68
D514,413 S *	2/2006	Cuenca	D8/68
D515,393 S *	2/2006	Lin	D8/107
D515,895 S *	2/2006	Chen	D8/68
D516,889 S *	3/2006	Aglassinger	D8/68
D516,890 S *	3/2006	Huang	D8/68
D521,927 S	5/2006	Franck	
D524,133 S *	7/2006	Wu	D8/68
D524,282 S	7/2006	Beasley	
D524,625 S *	7/2006	Wu	D8/68
D527,600 S *	9/2006	Stratford	D8/68
D530,818 S *	10/2006	Lin	D24/138
D531,000 S *	10/2006	Meyers	D8/68
D531,872 S *	11/2006	Aglassinger	D8/68
D531,873 S *	11/2006	Liu	D8/68
D532,666 S *	11/2006	Chi	D8/68
D542,618 S *	5/2007	Miura	D8/107
D545,427 S *	6/2007	Gibson	D24/113
D545,428 S *	6/2007	Stammberger	D24/113
D551,762 S *	9/2007	Root	D24/133
D565,920 S *	4/2008	Bagley	D8/107
D589,515 S *	3/2009	Brunner	D14/412
D597,392 S *	8/2009	Meyers	D8/68
D599,884 S *	9/2009	Zore	D23/226
D602,858 S	10/2009	Ellis	
D604,844 S *	11/2009	Summerer	D24/133
D605,487 S *	12/2009	Aglassinger	D8/68
D605,488 S *	12/2009	Aglassinger	D8/68
D605,489 S *	12/2009	Aglassinger	D8/68
D606,827 S *	12/2009	Fritz	D8/61
D610,679 S *	2/2010	Nakagawa	D24/133
D625,058 S *	10/2010	Kovach	D32/14
D627,718 S	11/2010	Houghton	
D628,290 S *	11/2010	Romero	D24/133
D653,206 S	1/2012	Heine	
D657,646 S *	4/2012	Schoch	D8/61
D658,026 S *	4/2012	Dale	D8/107
D658,741 S *	5/2012	Romero	D23/226
D670,389 S *	11/2012	Chen	D24/171
D676,377 S	2/2013	Nokuo	
D677,741 S *	3/2013	Wilson	D21/572
D677,830 S	3/2013	Daniels	
D678,980 S *	3/2013	Nies	D23/223
D702,319 S *	4/2014	Mammen	D23/223
D702,648 S *	4/2014	Ichio	D13/174
D702,649 S *	4/2014	Ichio	D13/174
D706,980 S *	6/2014	Tasar	D28/44.1
D713,933 S *	9/2014	Mammen	D23/226
D713,934 S *	9/2014	Mammen	D23/226
D714,423 S *	9/2014	Mammen	D23/226
D714,908 S *	10/2014	Mammen	D23/226
D719,651 S *	12/2014	Hoffmann	D24/133
D735,133 S	7/2015	Reishus	
D736,350 S *	8/2015	Cheng	D23/226
D736,887 S *	8/2015	Schwarz	D23/223
D747,441 S *	1/2016	Naslund	D23/223
D751,196 S *	3/2016	Wapler	D24/133
D753,823 S *	4/2016	Hayamizu	D24/138
D762,571 S	8/2016	Lee	
D771,243 S *	11/2016	DiMino	D24/113
D798,686 S *	10/2017	Barakat	D8/107
D799,036 S *	10/2017	Osada	D24/138
D810,679 S	2/2018	Patton	
D813,806 S	3/2018	Ito	
D824,487 S *	7/2018	Montoya	D23/223
D824,488 S *	7/2018	Montoya	D23/223
D824,489 S *	7/2018	Montoya	D23/223
D824,490 S *	7/2018	Montoya	D23/223
D824,491 S *	7/2018	Montoya	D23/223
D824,626 S *	7/2018	Vosbikian	D32/52
D826,025 S *	8/2018	Harrington	D8/107
D831,212 S *	10/2018	Clifford	D24/146
D831,819 S *	10/2018	Genender	D24/108
D837,215 S *	1/2019	Memke	D14/428
D838,155 S *	1/2019	Chen	D8/68
D838,301 S *	1/2019	Prikler	D15/144
D840,032 S *	2/2019	Clifford	D24/146
D841,160 S *	2/2019	Cranfield	D24/138
D841,788 S *	2/2019	Gough	D23/314
D842,465 S *	3/2019	Osada	D24/138
D844,405 S *	4/2019	Shen	D8/29.1
D851,644 S *	6/2019	Memke	D14/428
D852,357 S *	6/2019	Osada	D24/138
D852,358 S *	6/2019	Matuschek	D24/138
D860,441 S *	9/2019	Spycher	D24/133
D864,857 S	10/2019	Clark	
D865,289 S *	10/2019	Huang	D28/44.1
D869,927 S *	12/2019	Waldron	D8/68
D873,413 S *	1/2020	Ohno	D24/127
D873,957 S *	1/2020	Daudish	D23/223
D874,643 S *	2/2020	Genender	D24/108
D886,558 S *	6/2020	Koenigsberger	D8/29.1
D886,561 S *	6/2020	Lundbaeck	D8/68
D890,088 S	7/2020	Machida	
D892,907 S	8/2020	Chan	
D893,709 S *	8/2020	Girod	D24/113
D895,542 S	9/2020	Bell	
D895,757 S *	9/2020	Leis	D22/107
D896,364 S *	9/2020	Genender	D24/108
D898,533 S *	10/2020	Lundbaeck	D8/61
D898,910 S *	10/2020	Hansen	D24/137
D900,737 S	11/2020	Hsu	
D902,150 S	11/2020	Sun	
D902,401 S *	11/2020	Ohno	D24/138
D904,608 S *	12/2020	Attinger	D24/138
D905,241 S *	12/2020	Ohno	D24/138
D905,520 S *	12/2020	Huang	D8/30
D906,076 S *	12/2020	James	D8/68
D907,456 S *	1/2021	Diaz	D8/70
D908,961 S *	1/2021	Yang	D28/50
D911,400 S *	2/2021	Tsai	D15/144
D919,088 S *	5/2021	Fumex	D24/146
2003/0146735 A1	8/2003	Barbeau	
2006/0100483 A1	5/2006	Sundet et al.	
2006/0262525 A1	11/2006	Barbeau	
2009/0057544 A1	3/2009	Brodie	
2011/0317403 A1	12/2011	Fournier	

(56)

References Cited

U.S. PATENT DOCUMENTS

2017/0035276 A1 2/2017 Lombardi
2017/0187212 A1 6/2017 Hemesath

OTHER PUBLICATIONS

“Acupress Pen Stand Holder”. Found online Dec. 29, 2020 at amazon.com. Reference dated Apr. 26, 2016. Retrieved from <https://www.amazon.com/Acupress-Holder-Compatible-Intuos-CTL680/dp/B01ESYEWU>. (Year: 2016).

“Charging Dock and Base for Knuckle Lights Advanced”. Found online Dec. 30, 2020 at knucklelights.com. Reference dated Jun. 25, 2019. Retrieved from <https://knucklelights.com/products/charging-base>. (Year: 2020).

“Kebor Hair Clippers”. Found online Dec. 30, 2020 at amazon.com. Reference dated Apr. 19, 2019. Retrieved from <https://us.amazon.com/Kebor-Clippers-Electric-Rechargeable-Lithium-ion/dp/B079GS6CDH>. (Year: 2019).

“Revolabs Charger Base”. Found online Dec. 30, 2020 at bhphotovideo.com. Reference dated Aug. 15, 2016. Retrieved from https://www.bhphotovideo.com/c/product/894848-REG/revolabs_02hddualchg11_charger_base_for_hd.html/qa. (Year: 2016).

“PULUZ Charging Dock”. Found online Jan. 21, 2021 at miabyron.blogspot.com. Reference dated Jun. 3, 2019. Retrieved from <https://miabyron.blogspot.com/2019/06/puluz-pu381-charging-dock-base-charger.html>. (Year: 2018).

“Nikon Battery Charger Set”. Found online Jan. 21, 2021 at newbecca.com. Reference dated Feb. 9, 2018. Retrieved from https://tineye.com/search/35fa9bc083a5e4b862a861548dc19c9785657fc7?sort=crawl_date&order=asc&page=1. (Year: 2018).

* cited by examiner

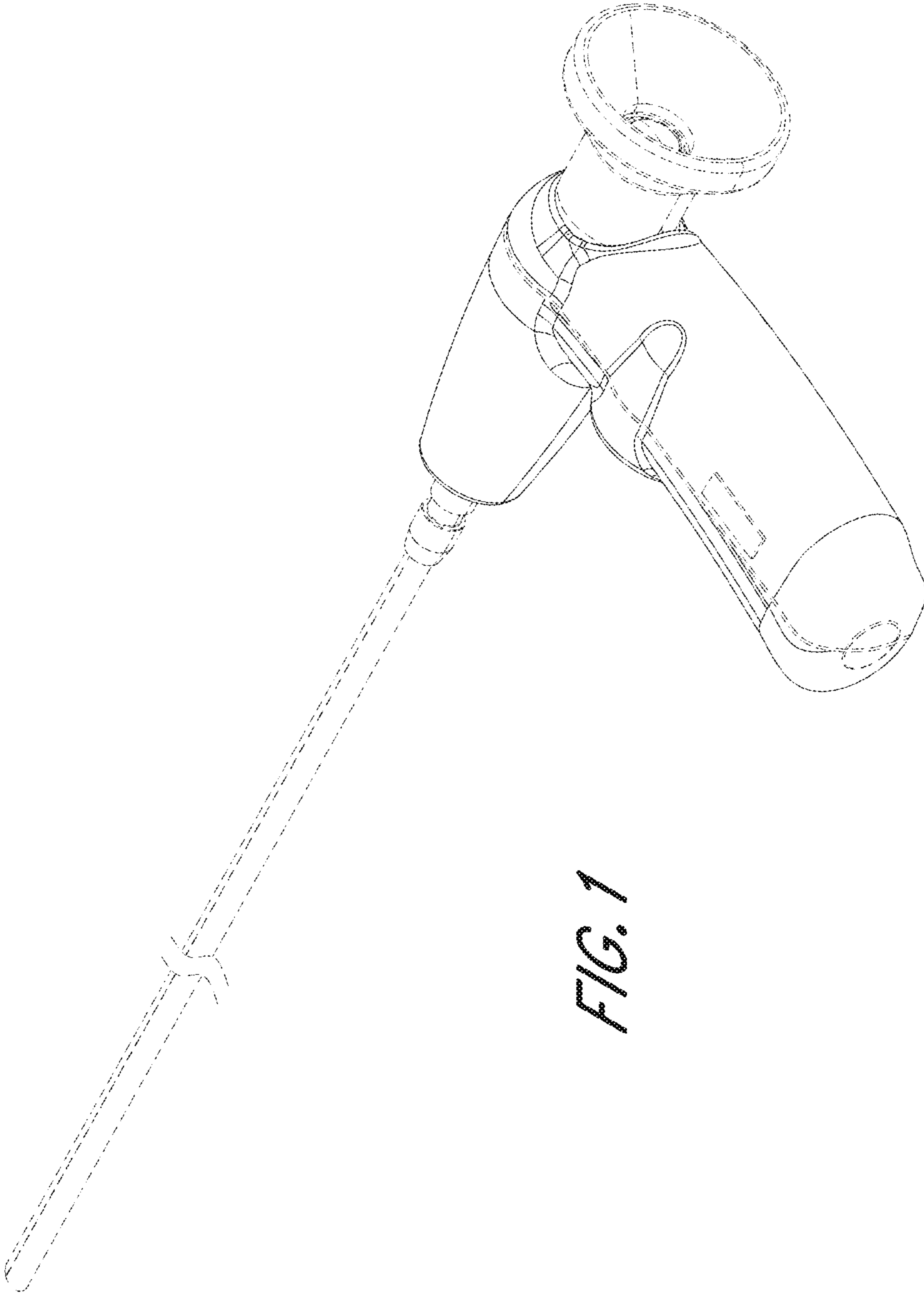


FIG. 1

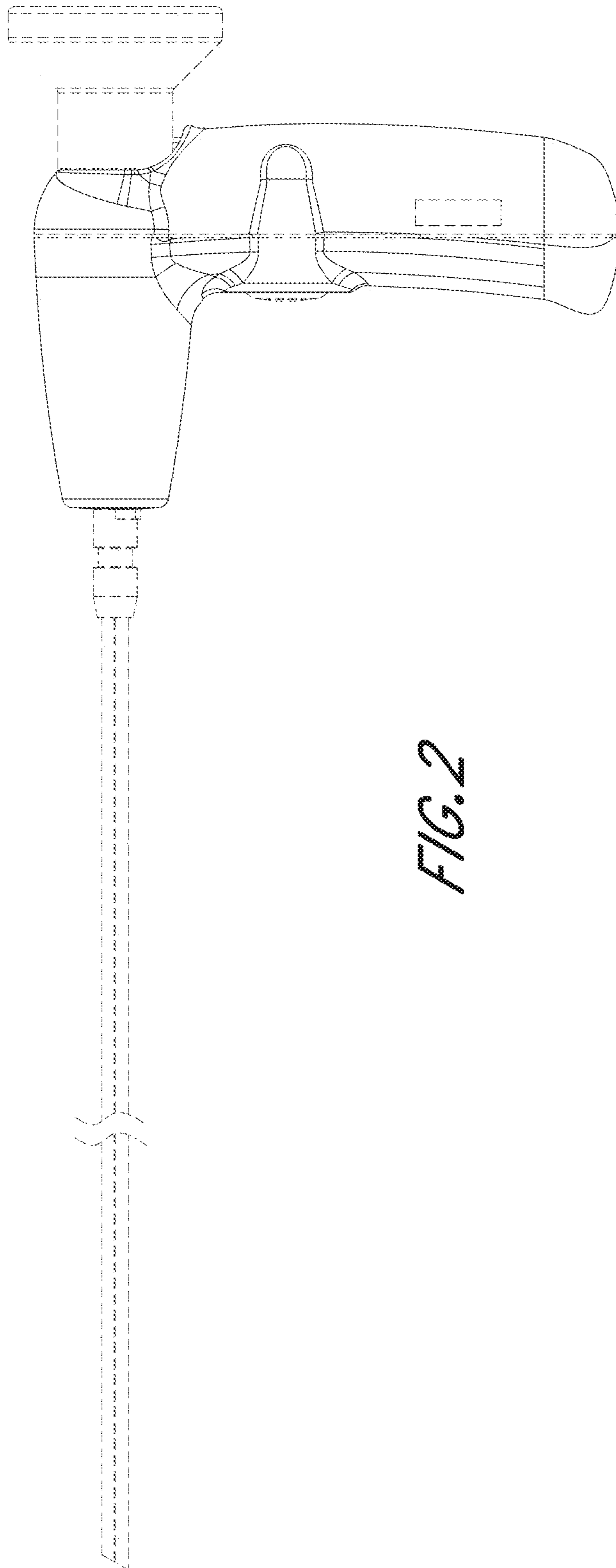


FIG. 2

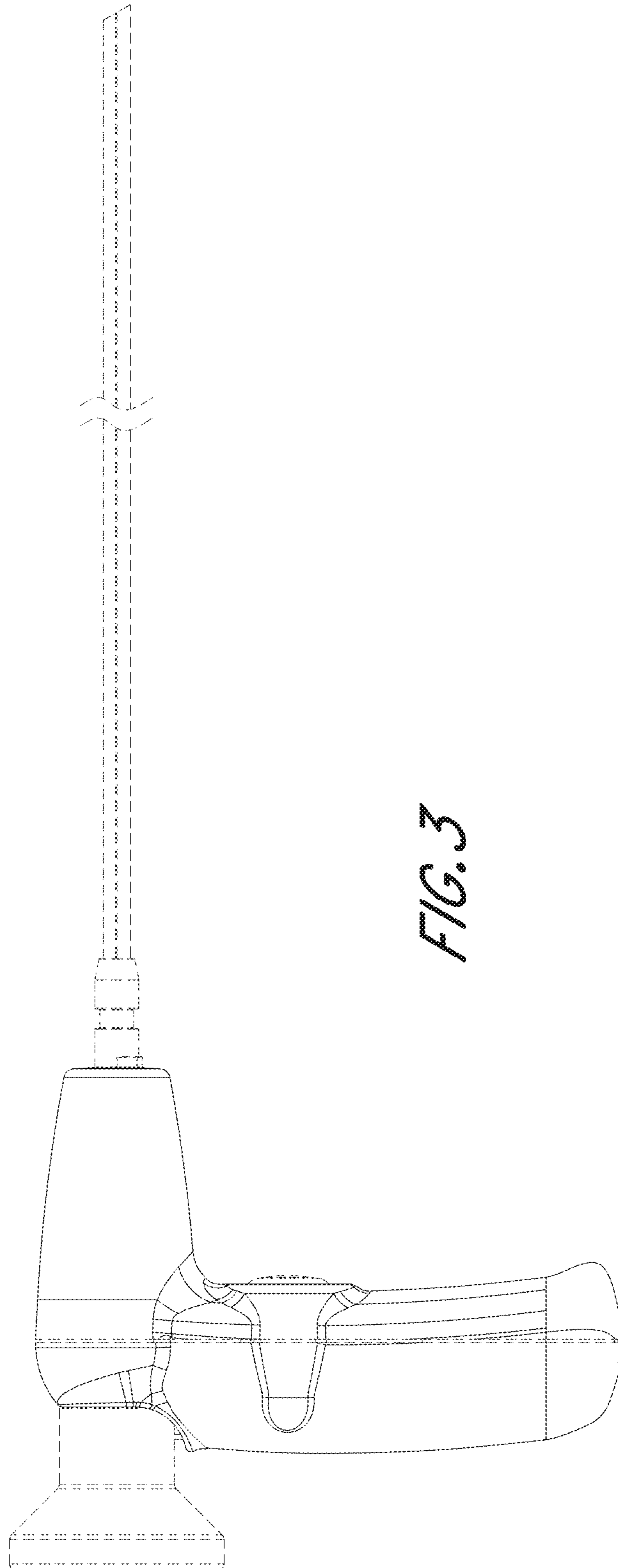


FIG. 3

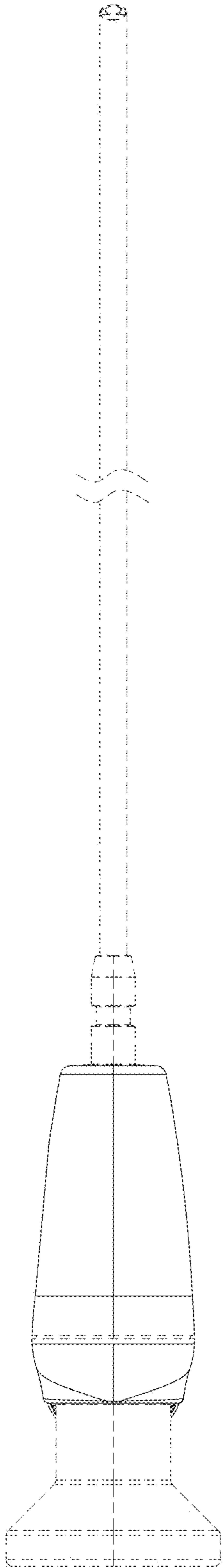


FIG. 4



FIG. 5

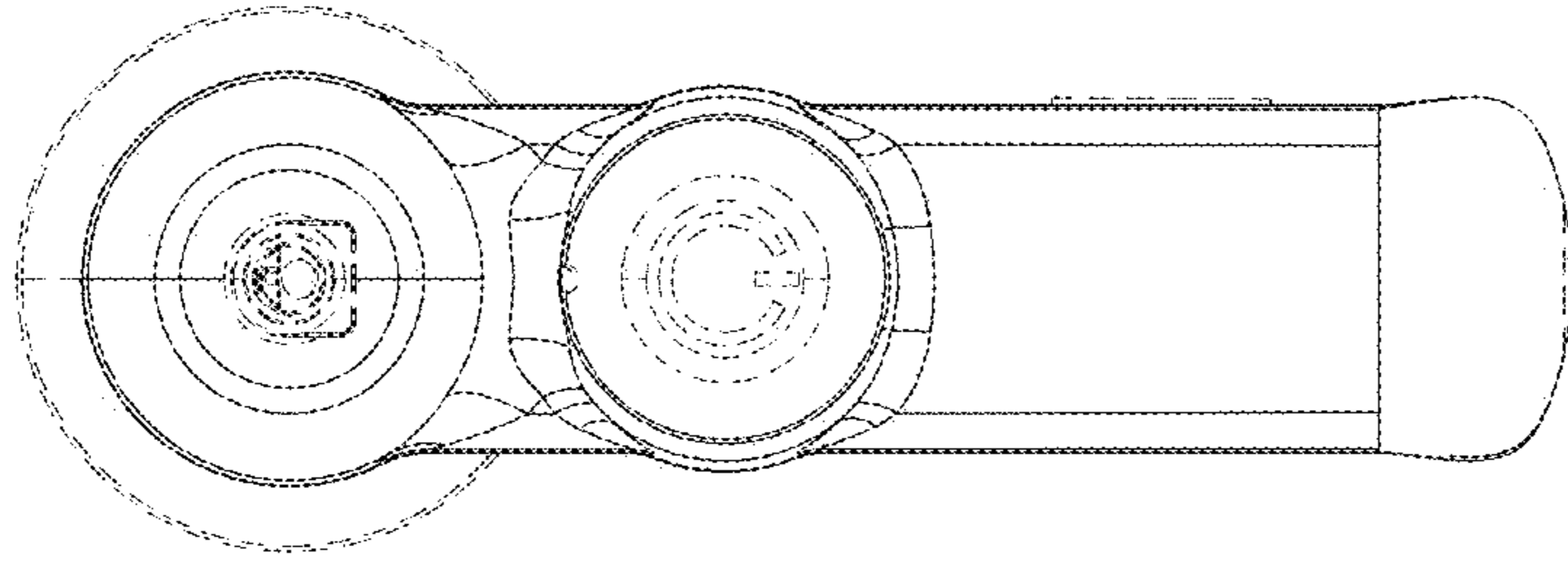


FIG. 7

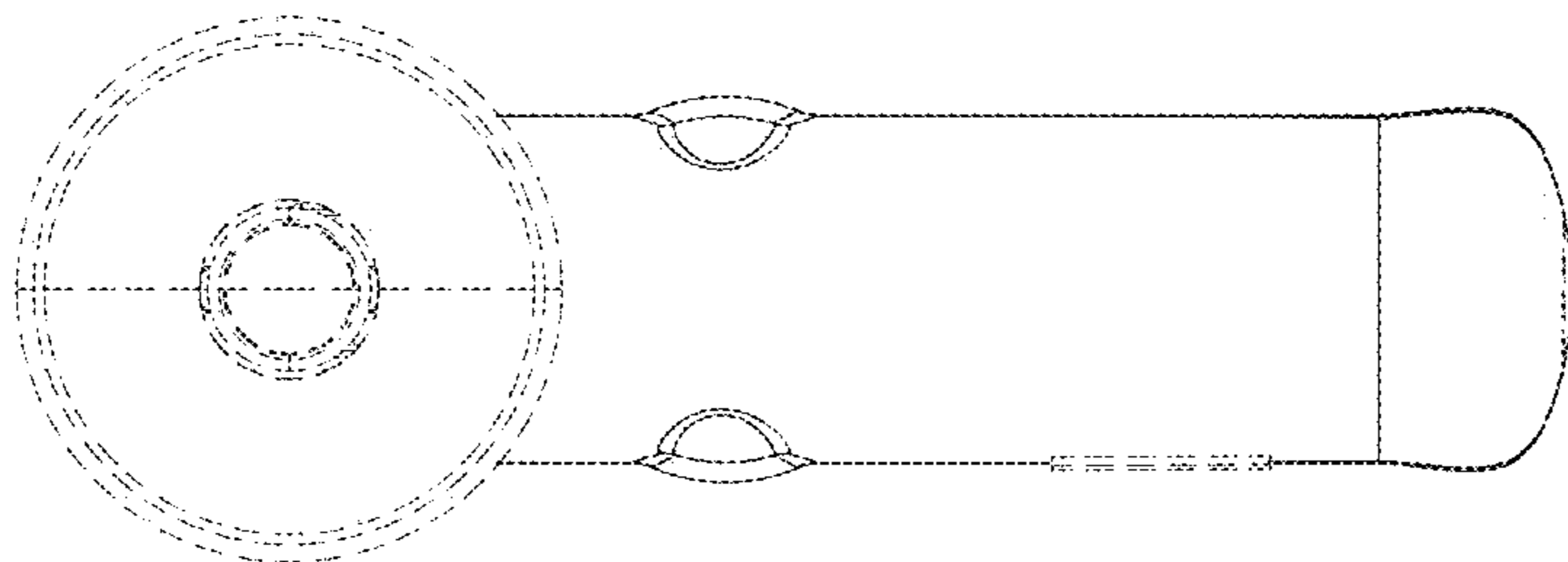


FIG. 6