

US00D929584S

(12) **United States Design Patent Grant** (10) **Patent No.:** **US D929,584 S**
(45) **Date of Patent:** **** Aug. 31, 2021**

(54) **ELECTRIC WHEELCHAIR**
(71) Applicant: **Pride Mobility Products Corporation**,
Exeter, PA (US)
(72) Inventor: **Michael A. Grant**, Jermyn, PA (US)
(73) Assignee: **Pride Mobility Products Corporation**,
Exeter, PA (US)
(**) Term: **15 Years**

D746,724 S 1/2016 Mascull et al.
D787,382 S 5/2017 Elon et al.
D787,383 S * 5/2017 Elon D12/133
D801,234 S 10/2017 Elon et al.
D808,868 S 1/2018 Cheng
D809,436 S 2/2018 Tang
D811,279 S 2/2018 McCullough et al.
D824,292 S 7/2018 Surbeck et al.
D833,919 S 11/2018 McCollough et al.
D833,920 S * 11/2018 Grant D12/133
D848,317 S 5/2019 Sugie et al.

(Continued)

(21) Appl. No.: **29/744,765**
(22) Filed: **Jul. 31, 2020**

Primary Examiner — Charles D Hanson
(74) *Attorney, Agent, or Firm* — Morgan, Lewis &
Bockius LLP

Related U.S. Application Data

(63) Continuation of application No. 29/698,780, filed on
Jul. 19, 2019, now Pat. No. Des. 891,996, which is a
continuation of application No. 29/640,672, filed on
Mar. 16, 2018, now Pat. No. Des. 860,068.

(57) **CLAIM**

The ornamental design for an electric wheelchair, as shown
and described.

(51) **LOC (13) Cl.** **12-12**
(52) **U.S. Cl.**
USPC **D24/133**
(58) **Field of Classification Search**
USPC D12/129–133
CPC A61G 5/00–14
See application file for complete search history.

DESCRIPTION

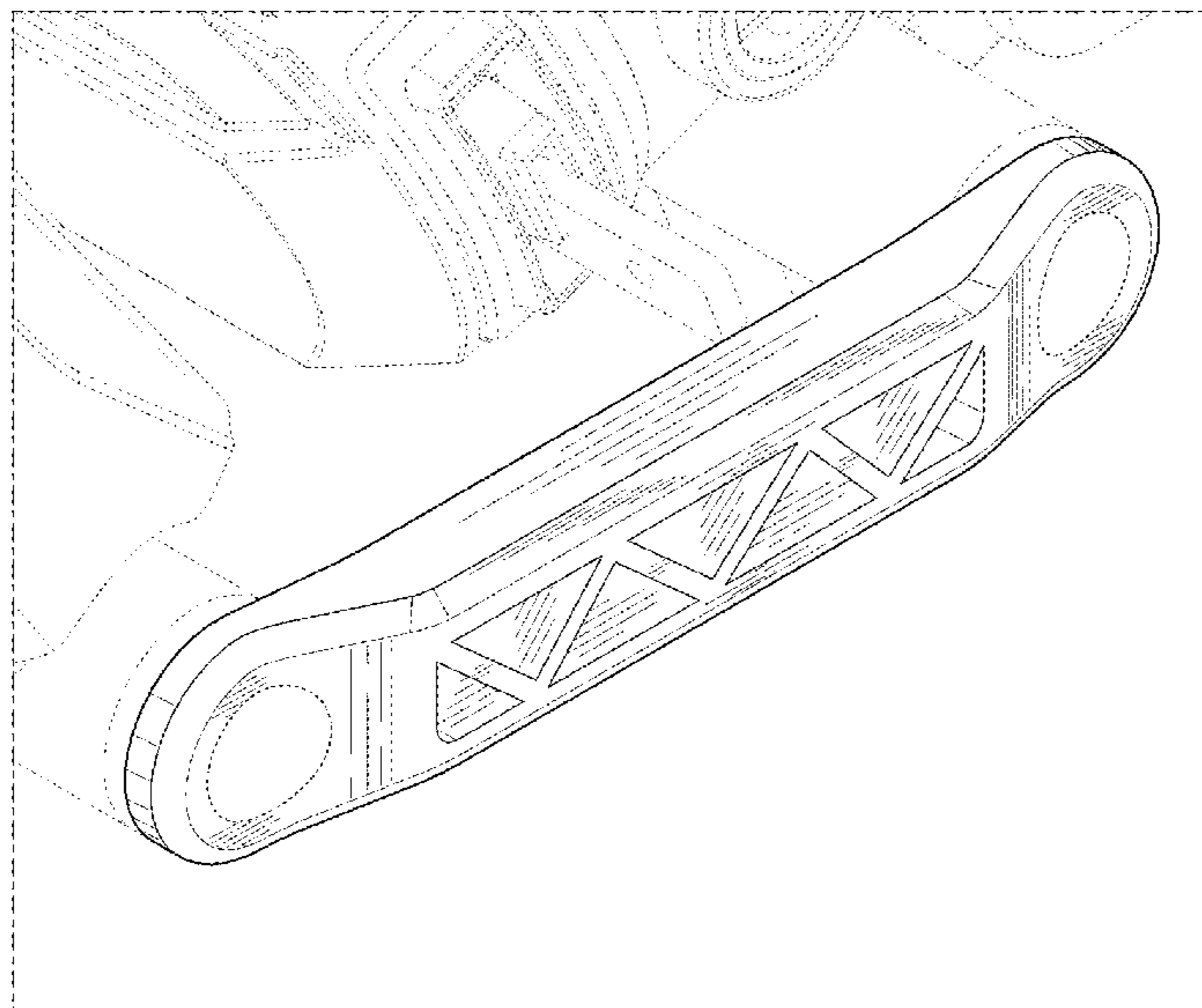
FIG. 1 is a front perspective view of an electric wheelchair
showing my new design;
FIG. 2 is a rear perspective view thereof;
FIG. 3 is a front elevational view thereof;
FIG. 4 is a rear elevational view thereof;
FIG. 5 is a left-side elevational view thereof;
FIG. 6 is a right-side elevational view thereof;
FIG. 7 is a top plan view thereof;
FIG. 8 is a bottom plan view thereof;
FIG. 9 is an enlarged rear perspective view of the tie-rod of
the electric wheelchair shown in FIG. 1; and,
FIG. 10 is an enlarged side view of the tie-rod of the electric
wheelchair shown in FIG. 1.
The broken lines immediately adjacent the shaded areas
represent the bounds of the claimed design, while all other
broken lines are directed to unclaimed portions and are for
illustrative purposes only; the broken lines form no part of
the claimed design.

(56) **References Cited**

U.S. PATENT DOCUMENTS

D572,175 S 7/2008 Lai
D600,169 S 9/2009 Chiu
D643,345 S 8/2011 Barenbrug
D652,357 S 1/2012 Jurkiewicz et al.
D653,176 S 1/2012 Jurkiewicz et al.
D656,070 S 3/2012 Spalding et al.
D720,659 S 1/2015 Tuckowski et al.
D721,017 S * 1/2015 Spalding D12/133
D745,443 S 12/2015 Van Olst et al.
D746,182 S 12/2015 Santamaria

1 Claim, 10 Drawing Sheets



(56)

References Cited

U.S. PATENT DOCUMENTS

D857,562 S	8/2019	McCollough et al.	
D860,873 S *	9/2019	Grant	D12/133
D887,313 S *	6/2020	Wu	D12/133
D887,316 S *	6/2020	Dean	D12/133
D890,635 S *	7/2020	Sugie	D12/131
D891,996 S *	8/2020	Grant	D12/133

* cited by examiner

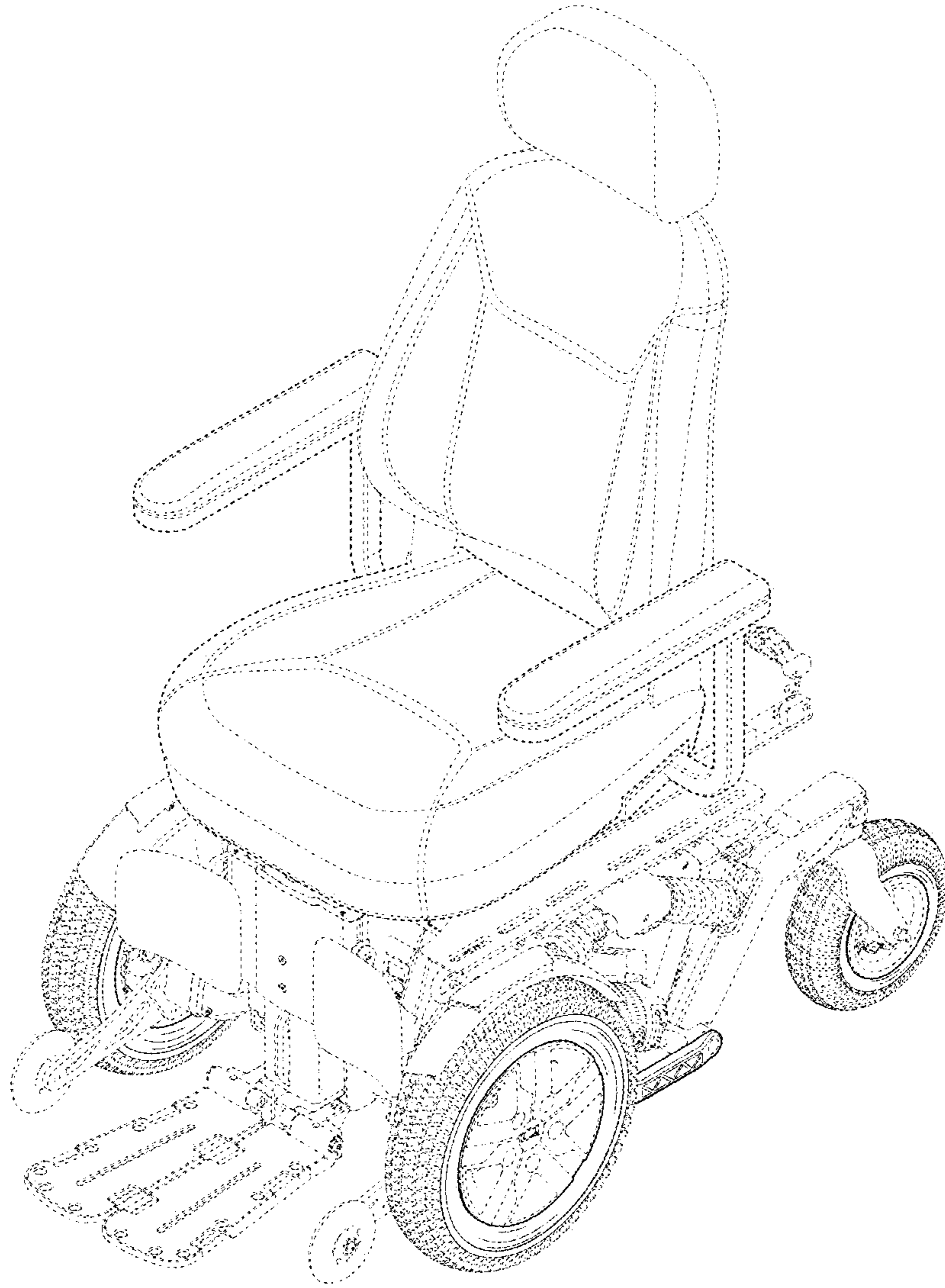


FIG. 1

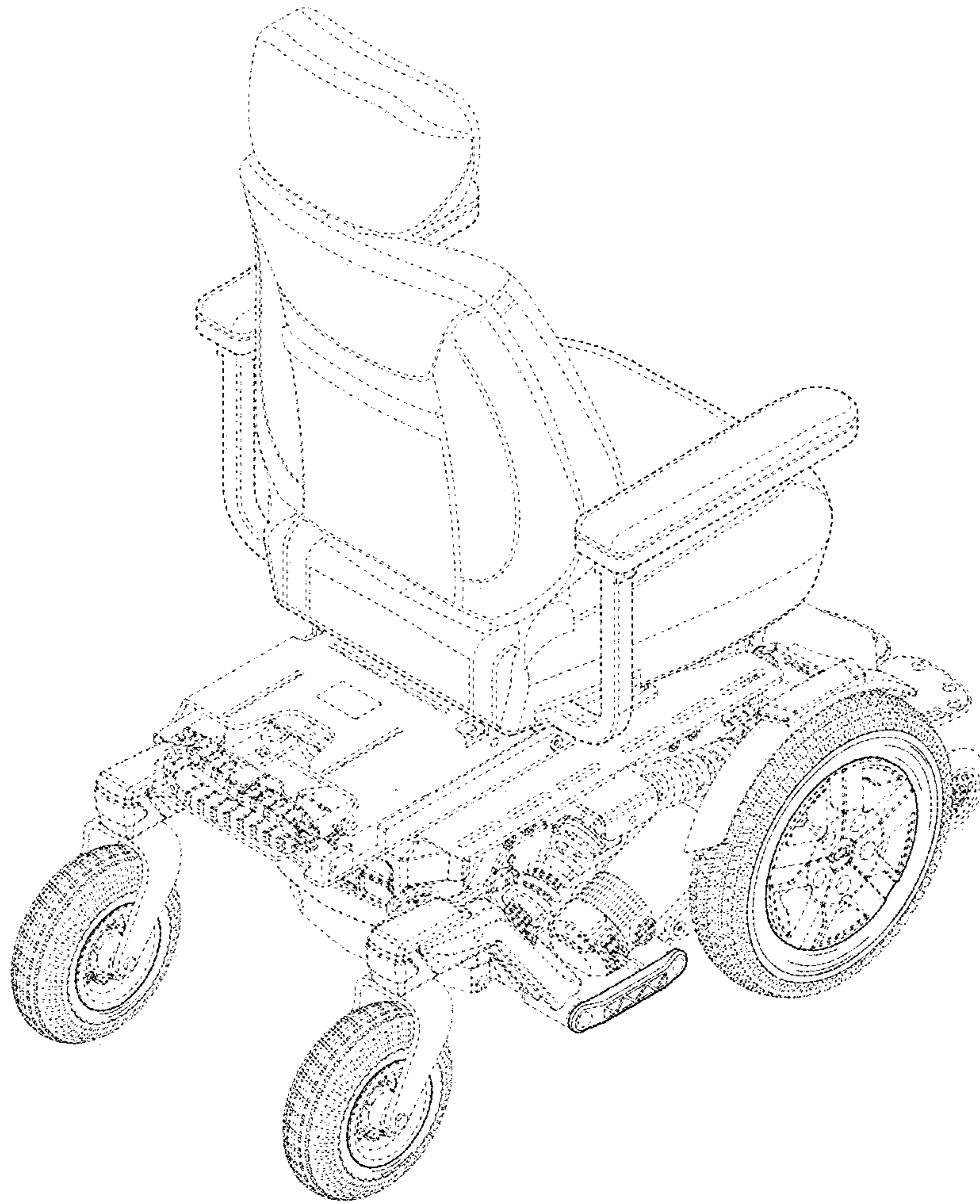


FIG. 2

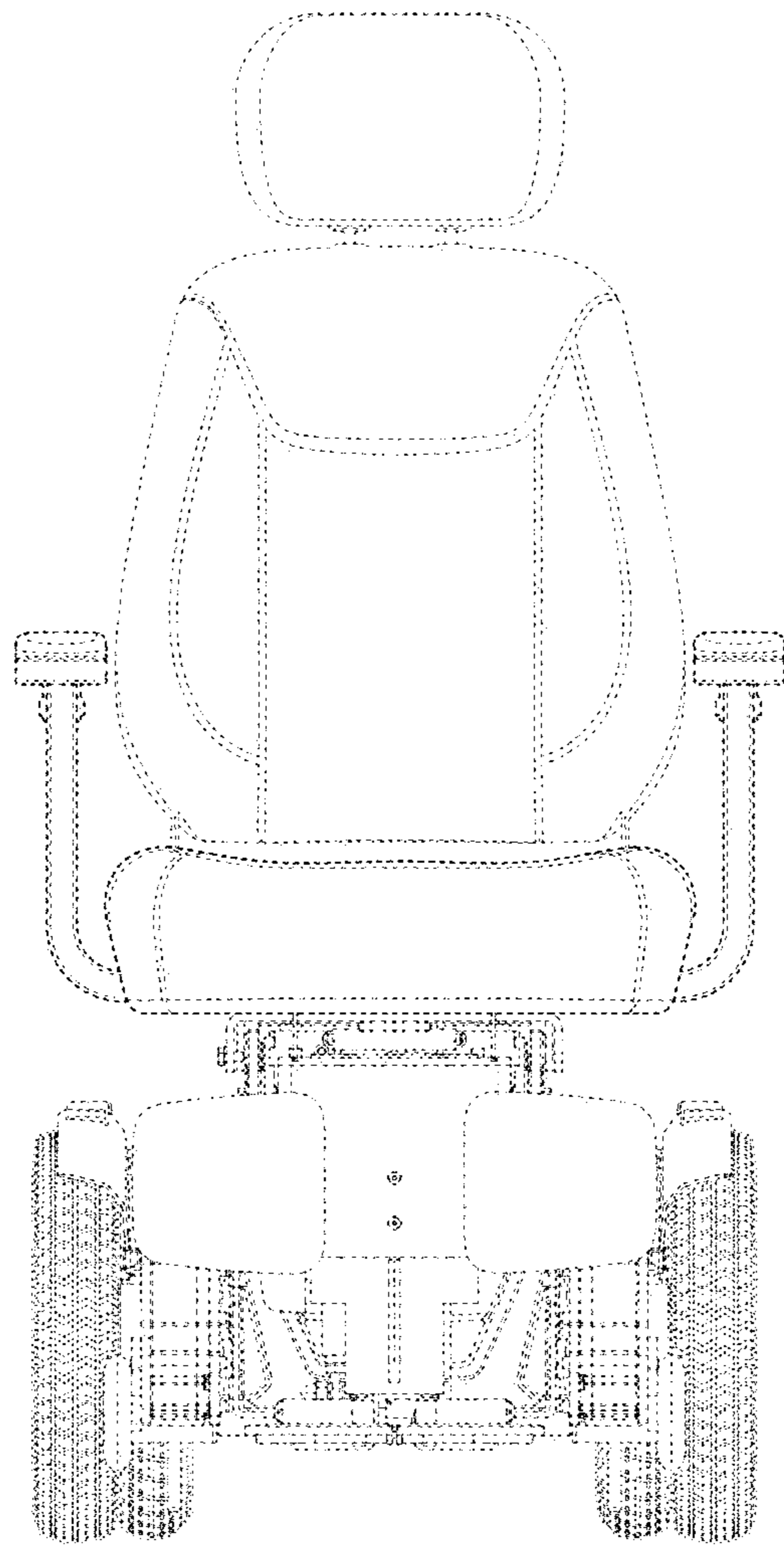


FIG. 3

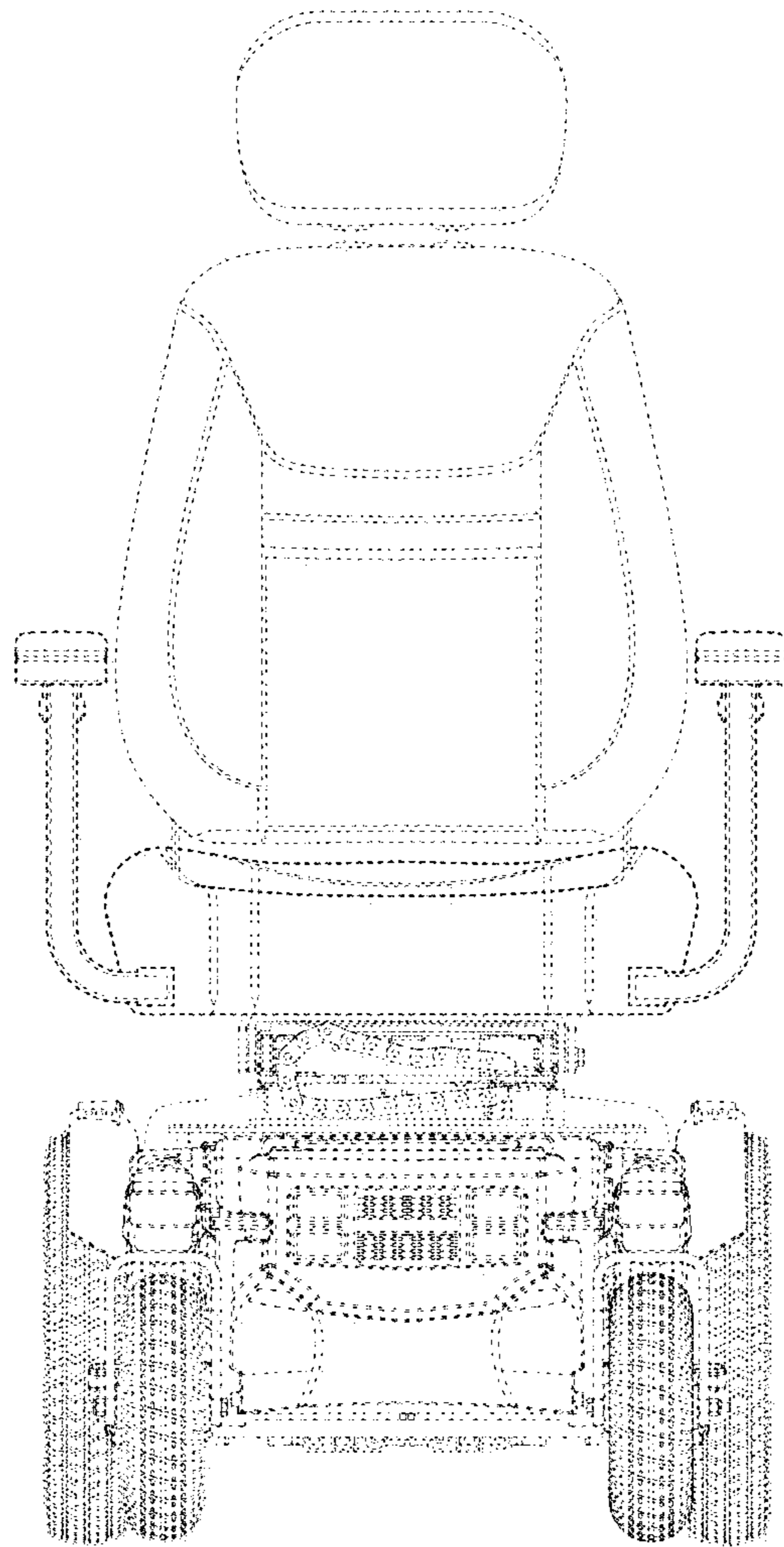


FIG. 4

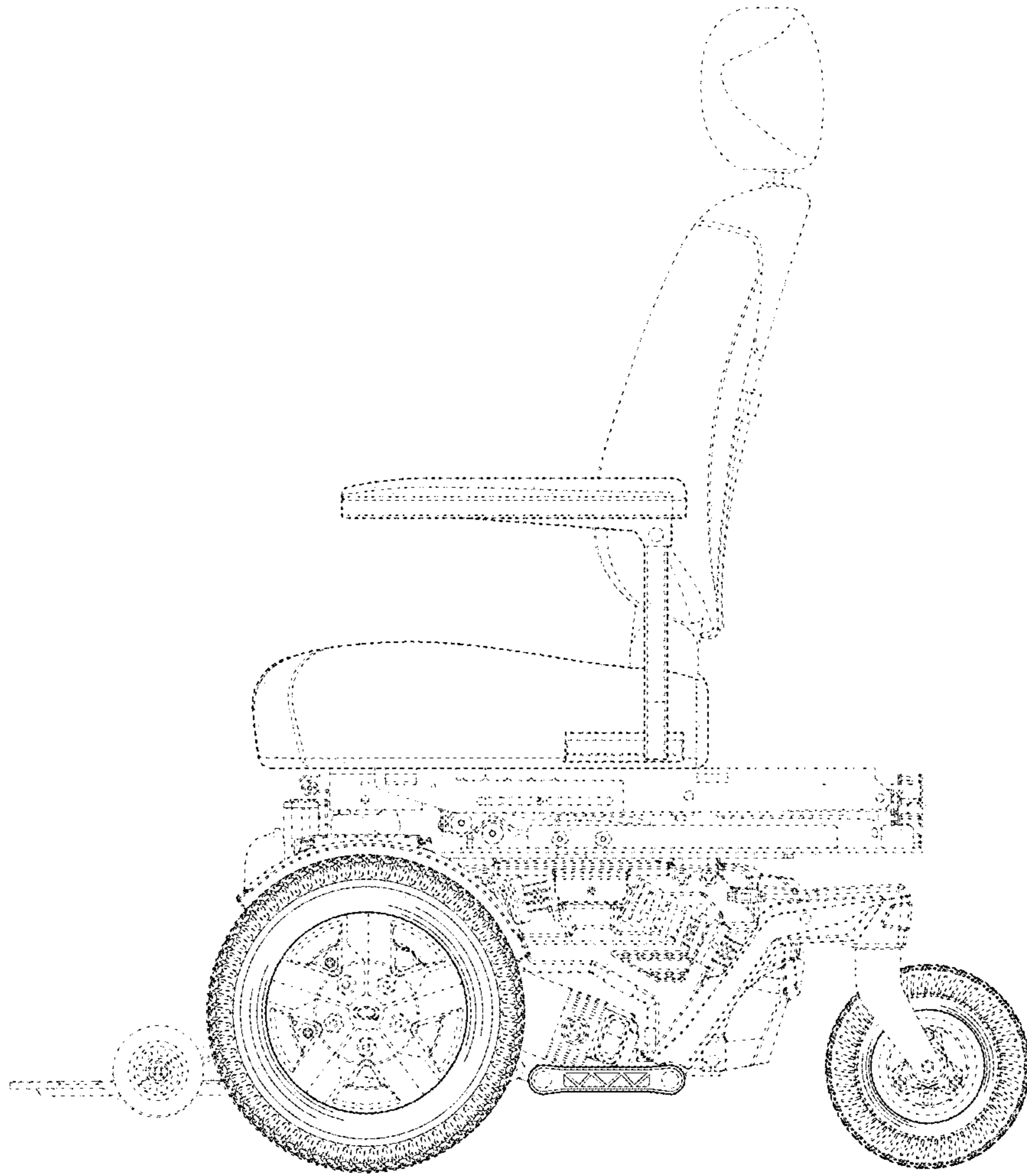


FIG. 5

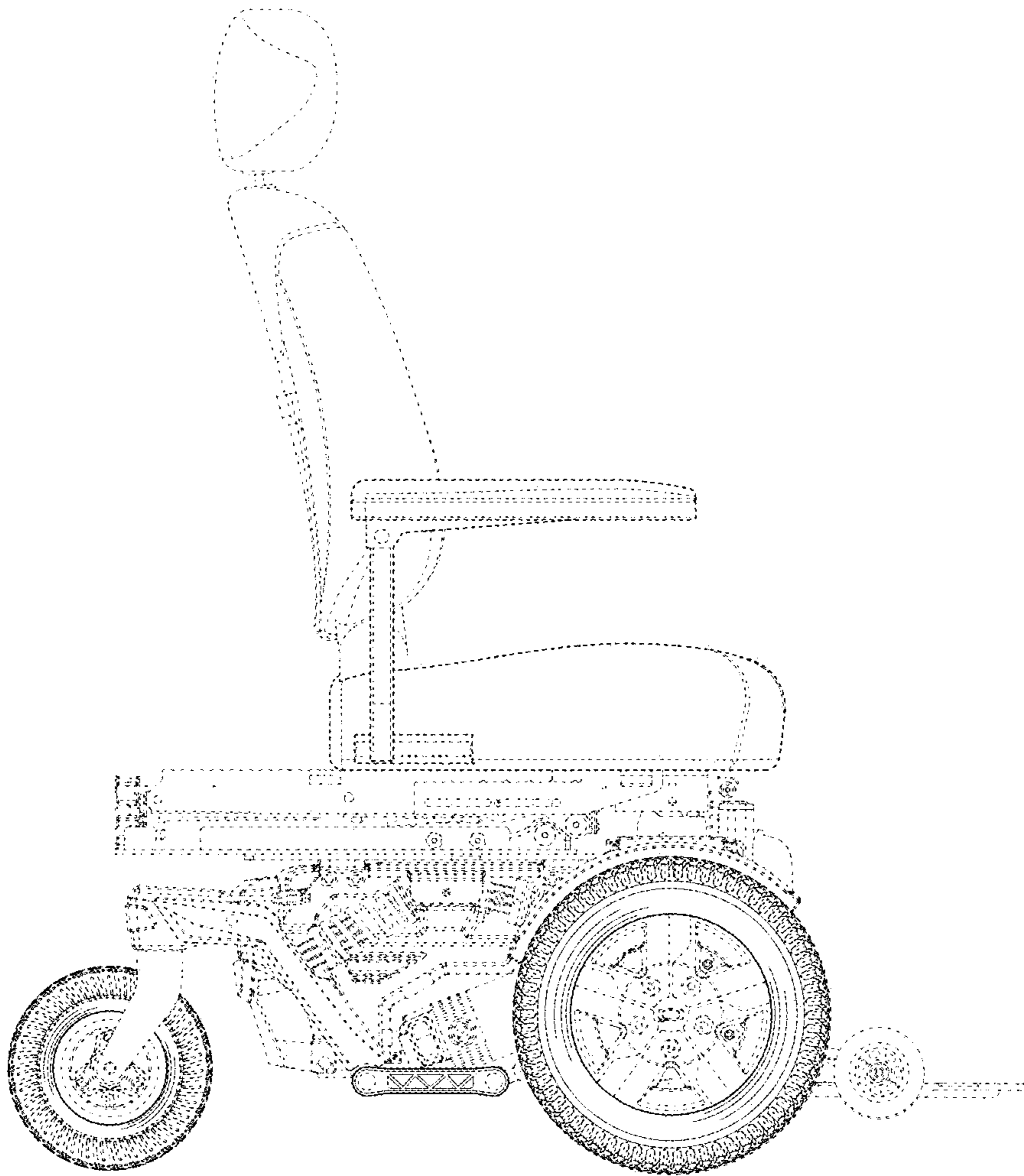


FIG. 6

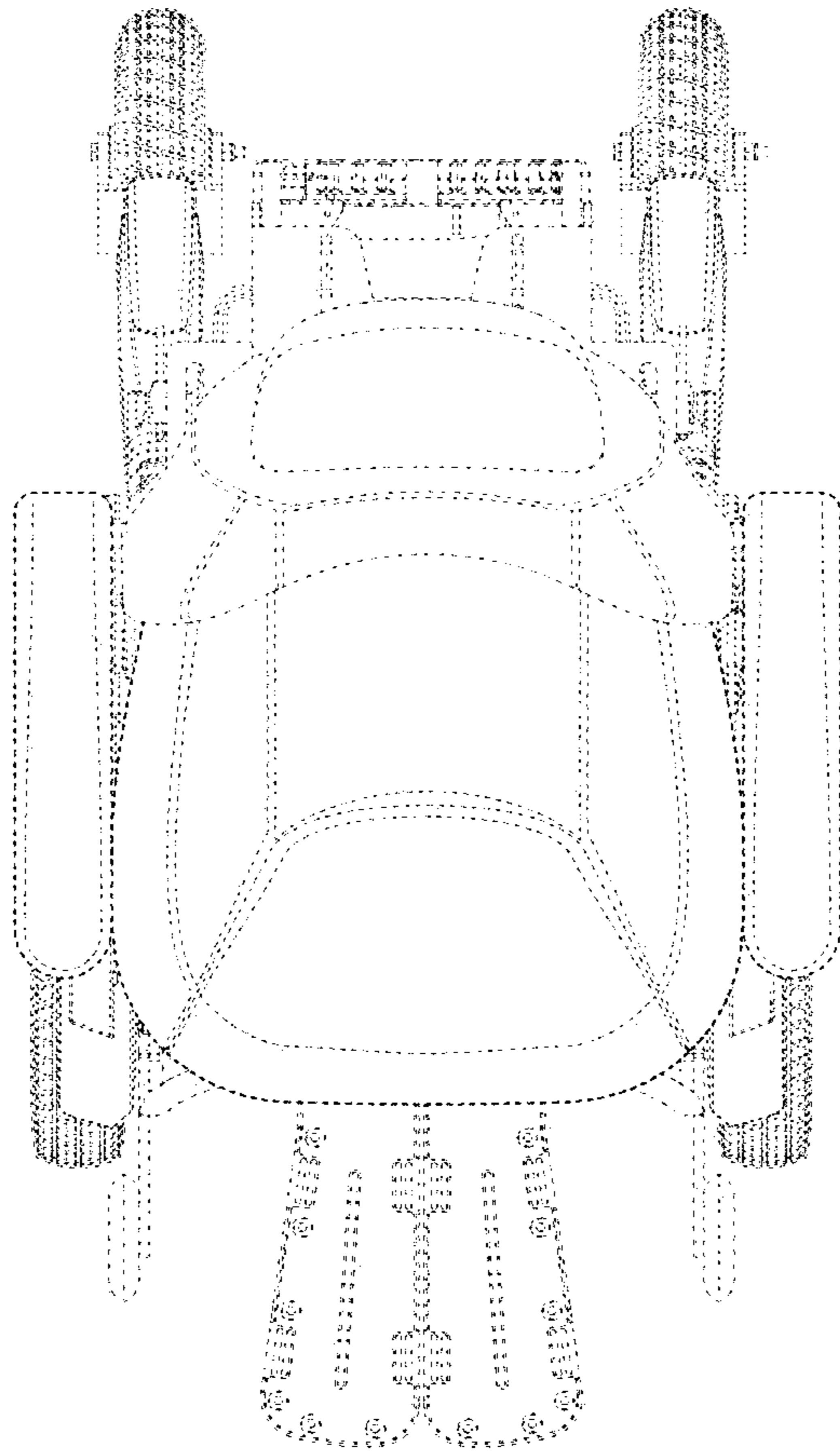


FIG. 7

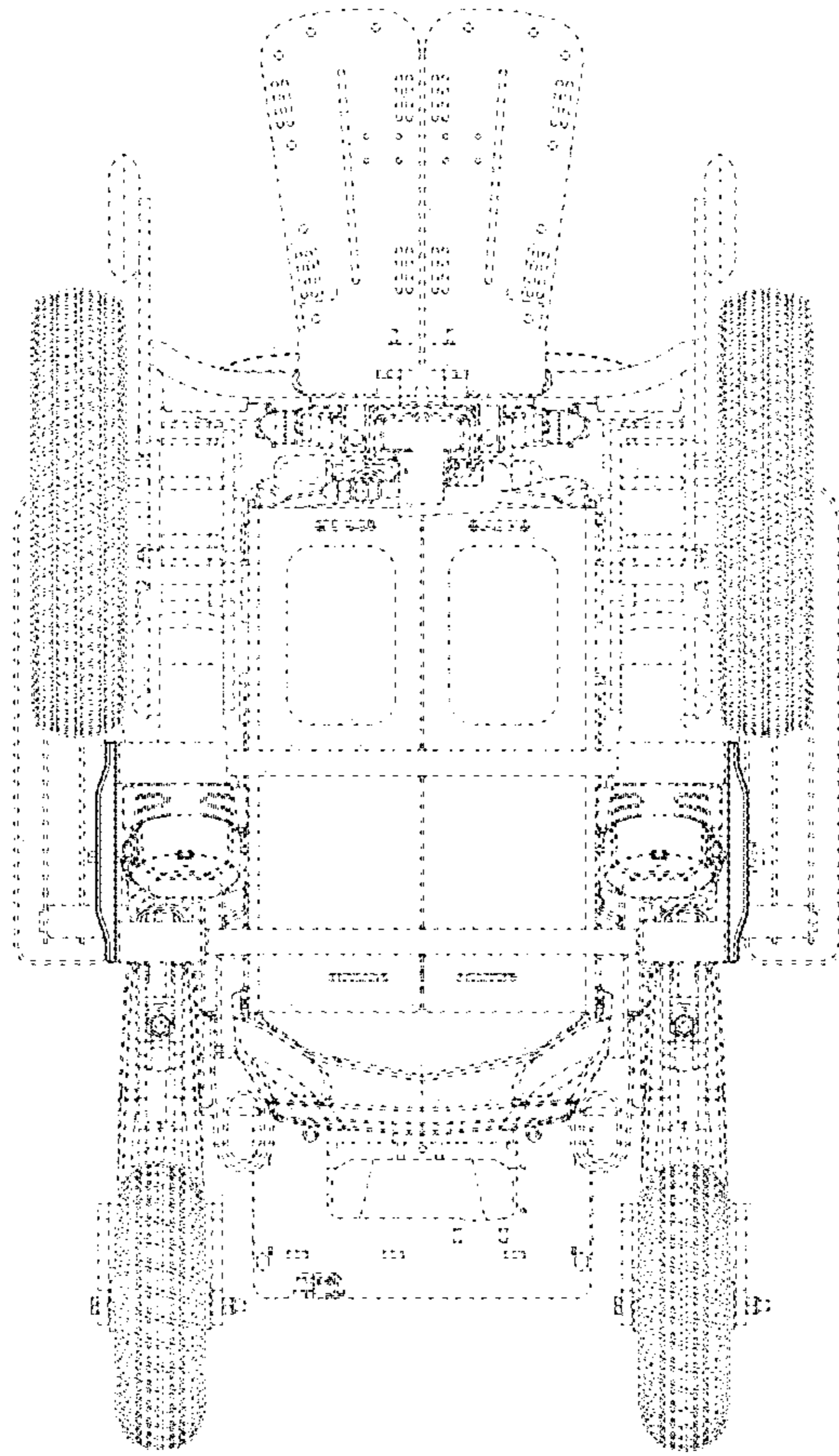


FIG. 8

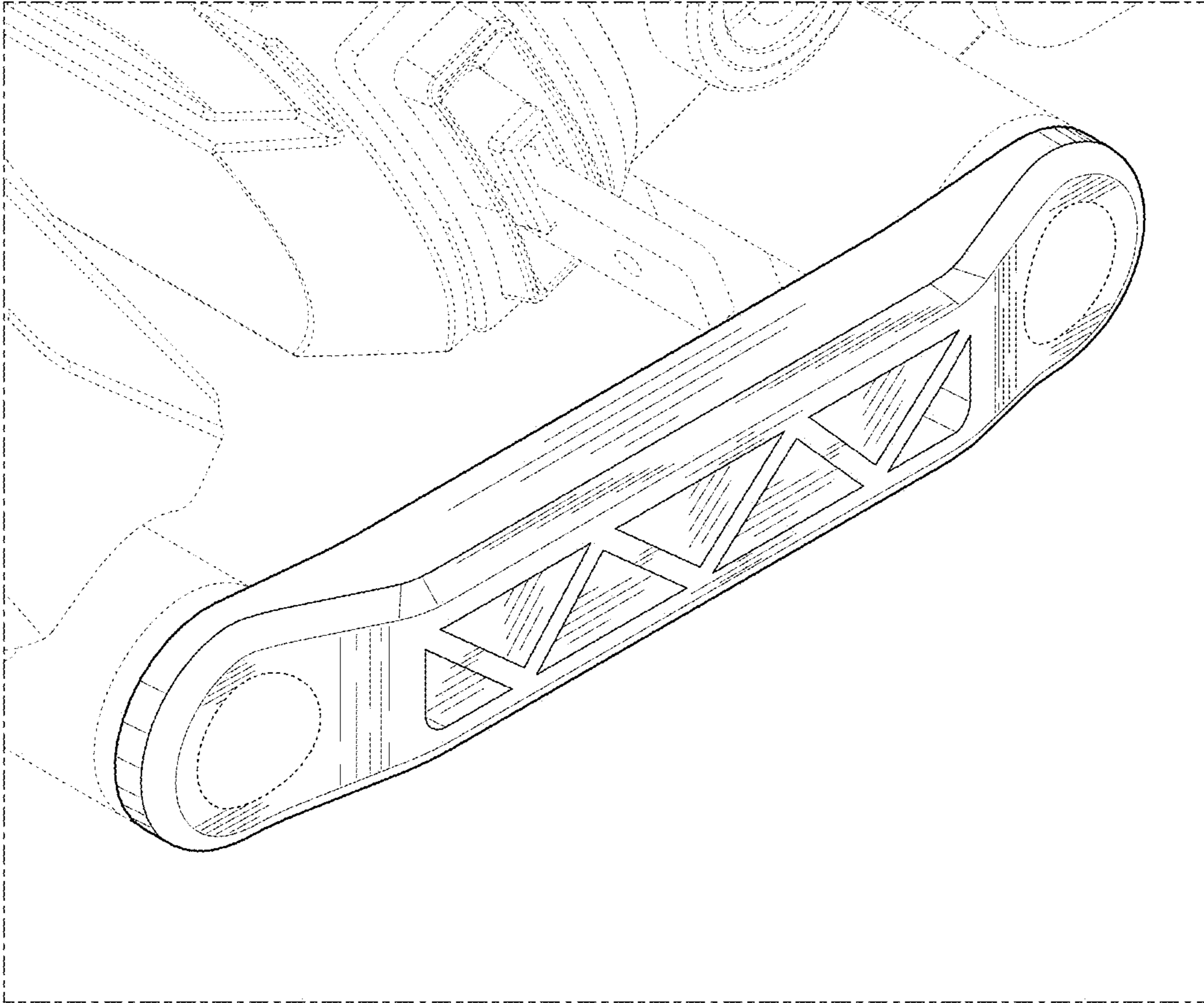


FIG. 9

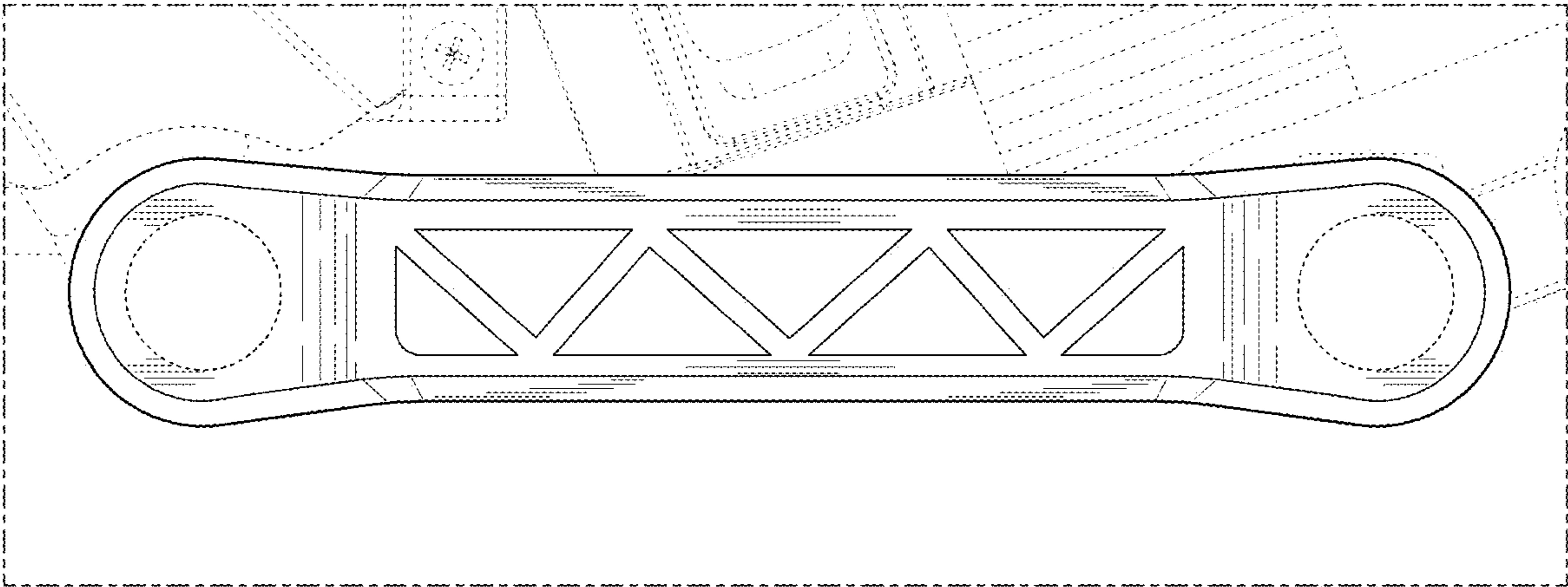


FIG. 10