



US00D929582S

(12) **United States Design Patent** (10) **Patent No.:** **US D929,582 S**
Neimy et al. (45) **Date of Patent:** **** Aug. 31, 2021**

(54) **INTRODUCER HANDLE FOR SINGLE INCISION SLING IMPLANTATION**

(71) Applicant: **Caldera Medical, Inc.**, Agoura Hilla, CA (US)

(72) Inventors: **Ryan Neimy**, Agoura Hills, CA (US); **Manish Vaishya**, Agoura Hills, CA (US); **Sandra Muhlfeld**, Agoura Hills, CA (US); **Felix Lu**, Agoura Hills, CA (US)

(73) Assignee: **Caldera Medical, Inc.**, Agoura Hills, CA (US)

(**) Term: **15 Years**

(21) Appl. No.: **29/679,628**

(22) Filed: **Feb. 7, 2019**

(51) **LOC (13) Cl.** **24-02**

(52) **U.S. Cl.**
USPC **D24/133**

(58) **Field of Classification Search**
USPC D24/133, 134, 135, 136, 137, 138, 141, D24/149, 187, 147, 140, 152, 176, 146; D8/16, 17, 19
CPC A61B 13/00; A61B 1/267; A61B 1/32; A61B 1/24; A61M 16/0495; A61C 5/90
See application file for complete search history.

(56) **References Cited**

U.S. PATENT DOCUMENTS

D742,007 S	*	10/2015	Schuetz	D24/152
D798,445 S	*	9/2017	Heni	D24/133
D818,594 S	*	5/2018	Asai	D24/187
D819,417 S	*	6/2018	Graykowski	D8/47
D831,210 S	*	10/2018	Nelson	D24/146

(Continued)

OTHER PUBLICATIONS

Caldera Medical, "Family of Products", (2009-2020). Retrieved on Apr. 9, 2020 at <https://calderamedical.com/medical-professionals/products/desara-family-of-products/>. (Year: 2020).*

Primary Examiner — Manpreet S Matharu
Assistant Examiner — Yolanda Robinson
(74) *Attorney, Agent, or Firm* — Inskeep IP Group, Inc.

(57) **CLAIM**

The ornamental design for an introducer handle for single incision sling implantation, as shown and described.

DESCRIPTION

FIG. 1 is a front perspective view of an introducer handle for single incision sling implantation according to the present invention;

FIG. 2 is a back-perspective view of an introducer handle for single incision sling implantation according to the present invention;

FIG. 3 is a top view of an introducer handle for single incision sling implantation according to the present invention;

FIG. 4 is a bottom view of an introducer handle for single incision sling implantation according to the present invention;

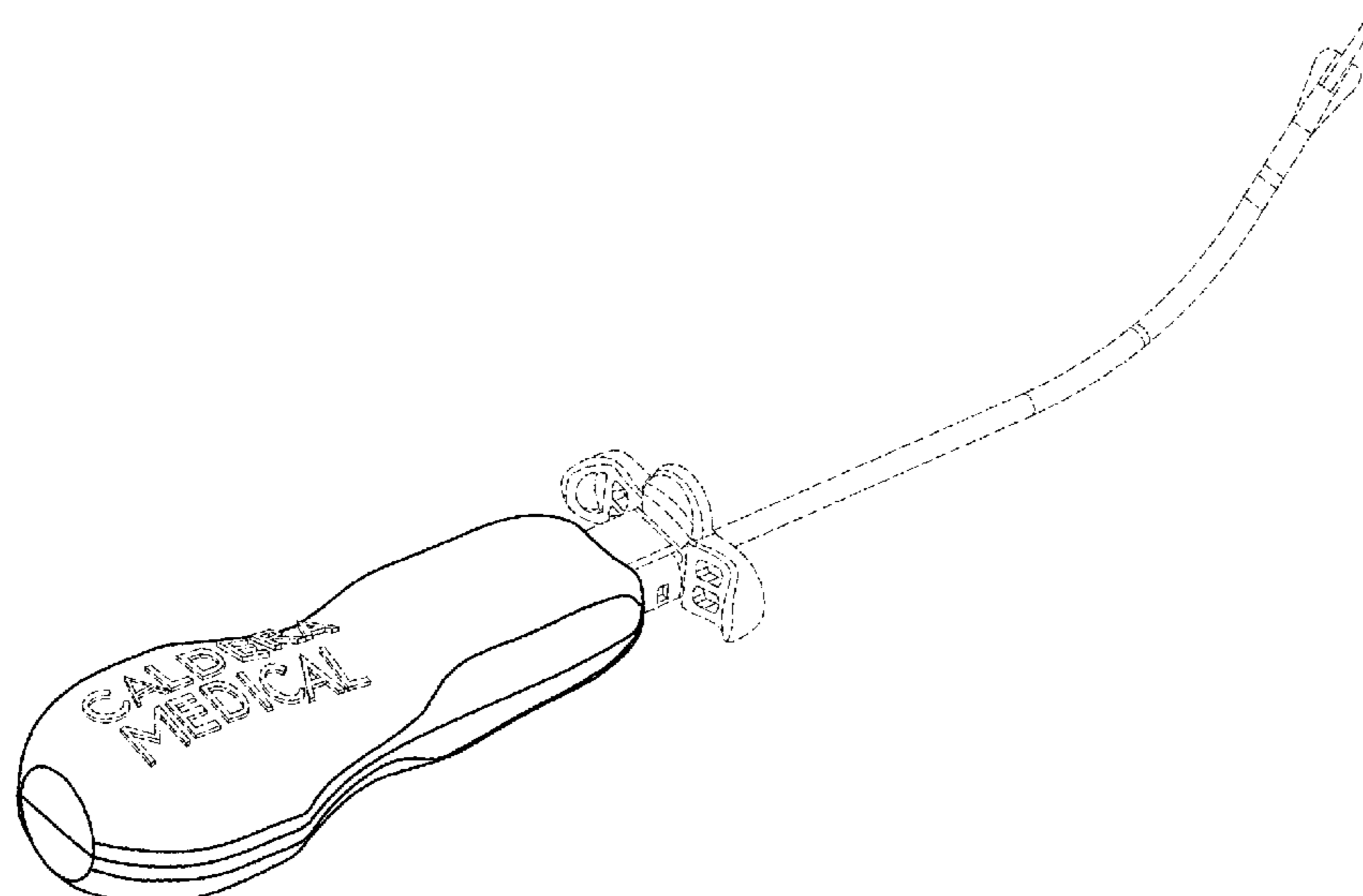
FIG. 5 is a left-side view of an introducer handle for single incision sling implantation according to the present invention;

FIG. 6 is a right-side view of an introducer handle for single incision sling implantation according to the present invention; and

FIG. 7 is a backside view of an introducer handle for single incision sling implantation according to the present invention.

The broken lines are for the purpose of illustrating portions of the introducer handle for single incision sling implantation that form no part of the claimed design. The dashed-dot-dash lines in the drawings define the bounds of the claimed design and form no part thereof.

1 Claim, 7 Drawing Sheets



(56)

References Cited

U.S. PATENT DOCUMENTS

D841,160 S * 2/2019 Cranfield D24/138
D852,358 S * 6/2019 Matuschek D24/138
D854,686 S * 7/2019 Gravett D24/147
D856,513 S * 8/2019 Taylor D24/133
D857,195 S * 8/2019 Taylor D24/133
D857,448 S * 8/2019 Bodum D7/395
D870,268 S * 12/2019 Massie D24/111
2014/0296788 A1* 10/2014 Kimmel A61M 25/0043
604/171
2016/0220099 A1* 8/2016 Schouwink A61B 1/00096

* cited by examiner

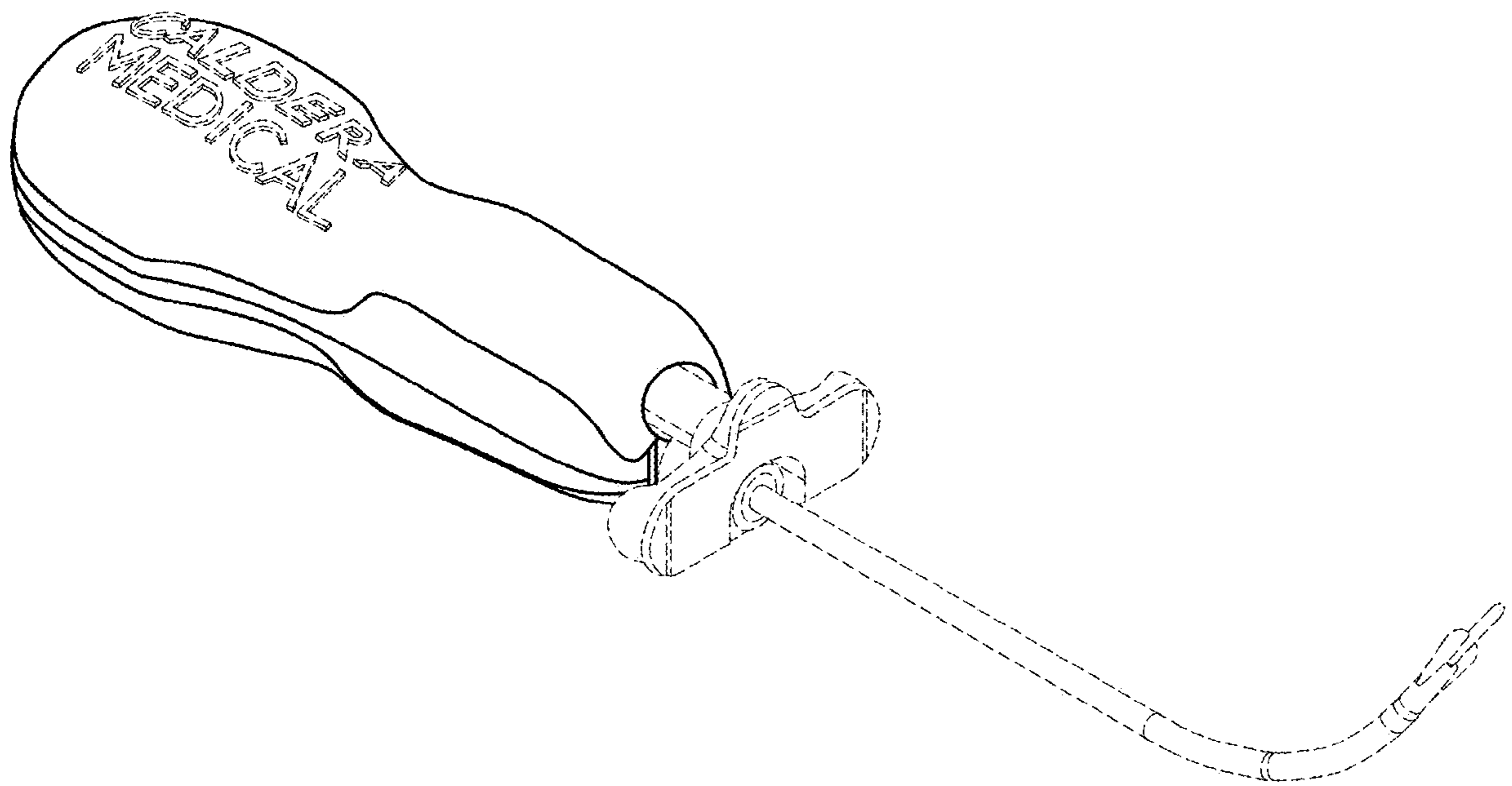


FIG. 1

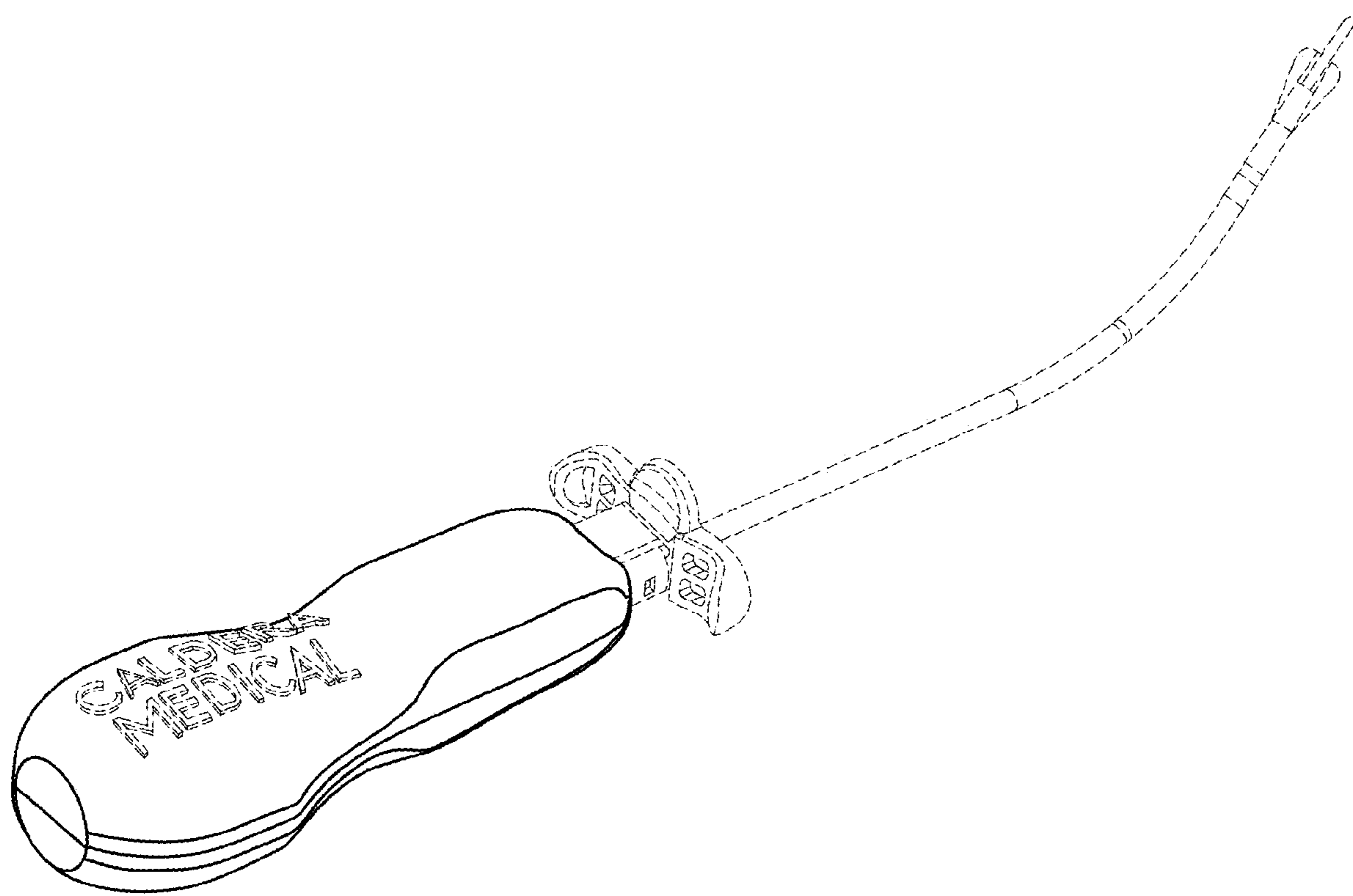


FIG. 2

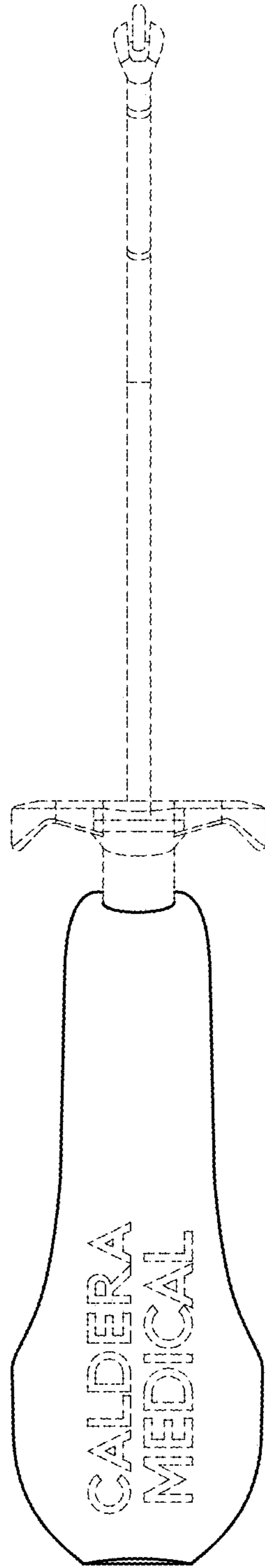


FIG. 3

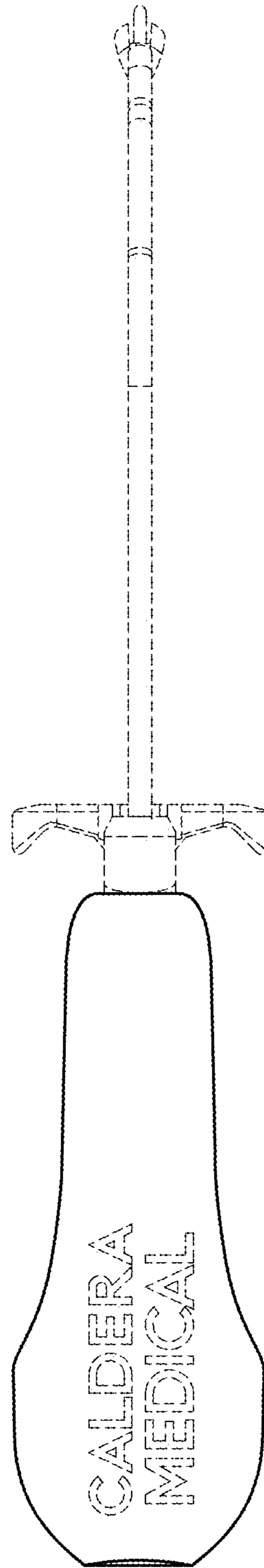


FIG. 4

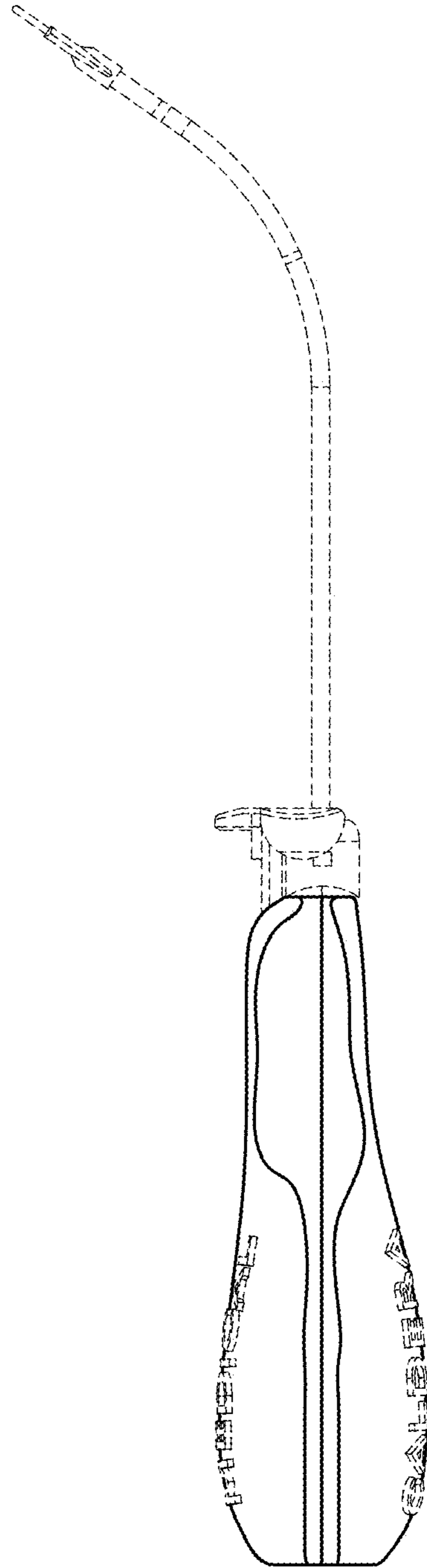


FIG. 5

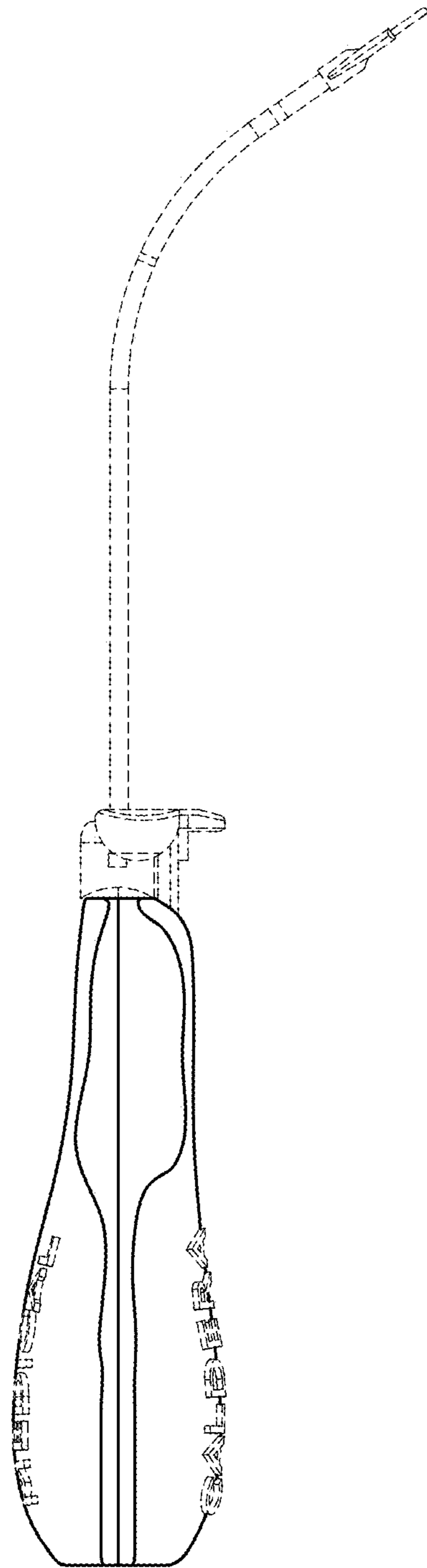


FIG. 6

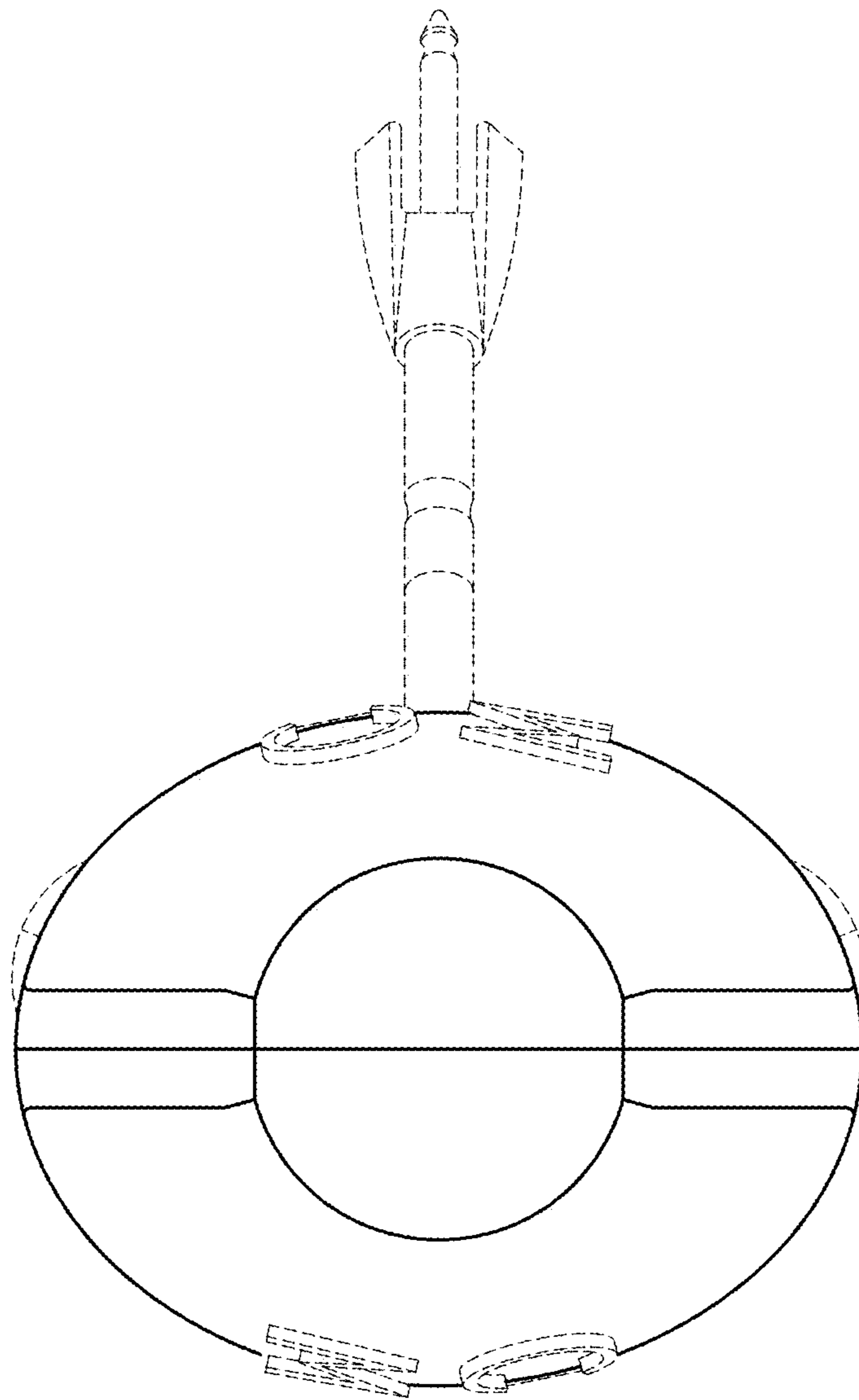


FIG. 7