



US00D929580S

(12) **United States Design Patent** (10) **Patent No.:** **US D929,580 S**
Bornhofs (45) **Date of Patent:** **** Aug. 31, 2021**

(54) **CATHETER HUB DEVICE**
(71) Applicant: **Becton, Dickinson and Company,**
Franklin Lakes, NJ (US)
(72) Inventor: **Stephen Bornhofs,** Raynham, MA (US)
(73) Assignee: **BECTON, DICKINSON AND**
COMPANY, Franklin Lakes, NJ (US)
(**) Term: **15 Years**

D844,774 S * 4/2019 Akcay A61M 21/02
D24/112
D859,651 S * 9/2019 Harding D24/130
D870,883 S * 12/2019 Harding D24/130
10,780,249 B2 * 9/2020 Shevgoor A61M 5/3232
2015/0080801 A1 * 3/2015 Tanabe A61M 25/0606
604/167.02
2016/0220791 A1 * 8/2016 Akcay A61B 5/15003
2017/0348510 A1 * 12/2017 Shevgoor A61B 5/062
2019/0151621 A1 * 5/2019 Yokota A61M 25/0662
2020/0261701 A1 * 8/2020 O'Bryan A61M 25/0606

(21) Appl. No.: **29/705,681**
(22) Filed: **Sep. 13, 2019**
(51) **LOC (13) Cl.** **24-02**
(52) **U.S. Cl.**
USPC **D24/130**
(58) **Field of Classification Search**
USPC D24/127-131, 112-114, 133, 186;
606/181, 185; 604/264, 523-528, 272,
604/187, 158, 164.01-164.11, 181, 184,
604/227; 600/101, 139, 143;
128/200.24, 207.14, 207.15
CPC A61B 5/150824; A61B 5/150732; A61B
5/1535; A61B 5/150259; A61B 5/150221;
A61B 5/15003; A61B 5/150641; A61B
5/150992; A61B 5/145; A61M 25/0097;
A61M 21/02; A61M 5/422; A61M
5/3202; A61M 25/0631; A61M
2021/0016; A61M 2205/0205
See application file for complete search history.

OTHER PUBLICATIONS

youtube.com, BD Insyte BC Protective IV catheters, Aug. 11, 2014,
<https://www.youtube.com/watch?v=PC7Vku52BSs> (Year: 2014).*

* cited by examiner

Primary Examiner — Nathan M Johnston
(74) *Attorney, Agent, or Firm* — Kirton McConkie; Craig
Metcalf; Kevin Stinger

(57) **CLAIM**

The ornamental design for a catheter hub device, as shown
and described.

DESCRIPTION

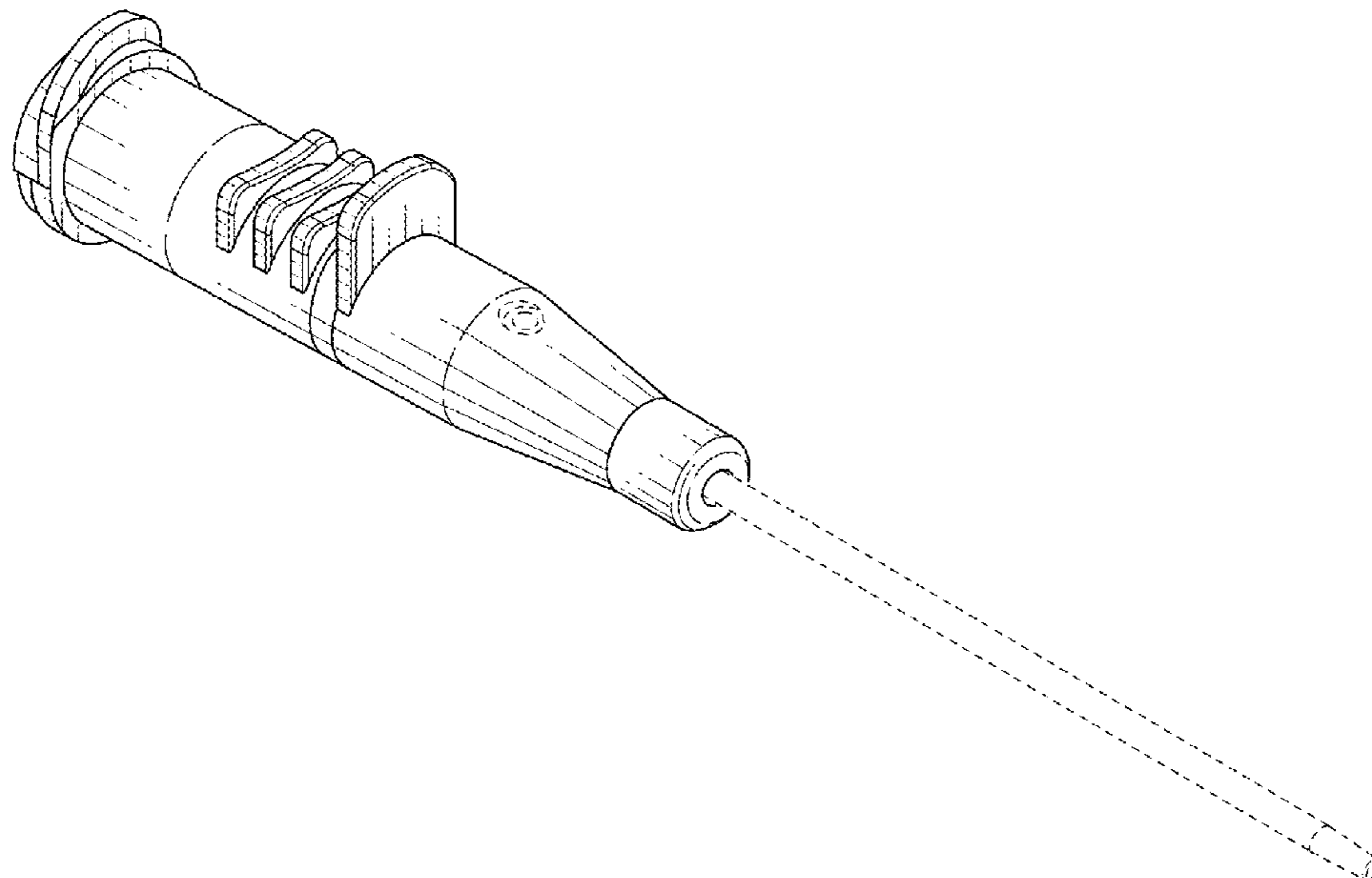
FIG. 1 is a perspective front, top and side view of a catheter
hub device.
FIG. 2 is a perspective front, top and side view thereof.
FIG. 3 is a front view thereof.
FIG. 4 is a rear view thereof.
FIG. 5 is a right side view thereof.
FIG. 6 is a left side view thereof.
FIG. 7 is a top view thereof; and,
FIG. 8 is a bottom view thereof.
The broken lines show portions of the design that form no
part of the claimed design.

1 Claim, 4 Drawing Sheets

(56) **References Cited**

U.S. PATENT DOCUMENTS

D395,501 S * 6/1998 Erskine D24/112
D655,406 S * 3/2012 Ma D24/112
D748,777 S * 2/2016 Uenishi D24/130
D749,214 S * 2/2016 Uenishi D24/130



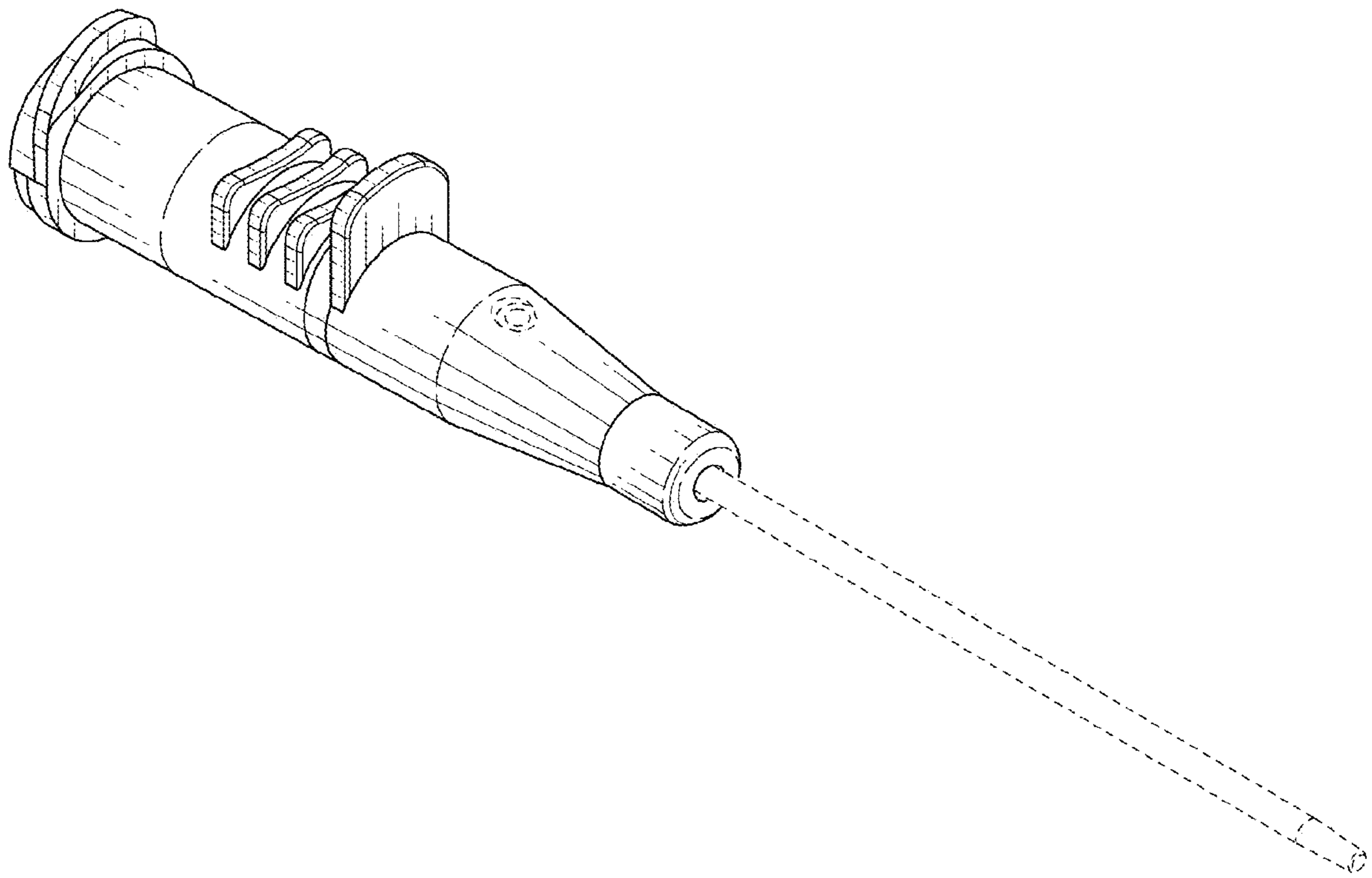


FIG. 1

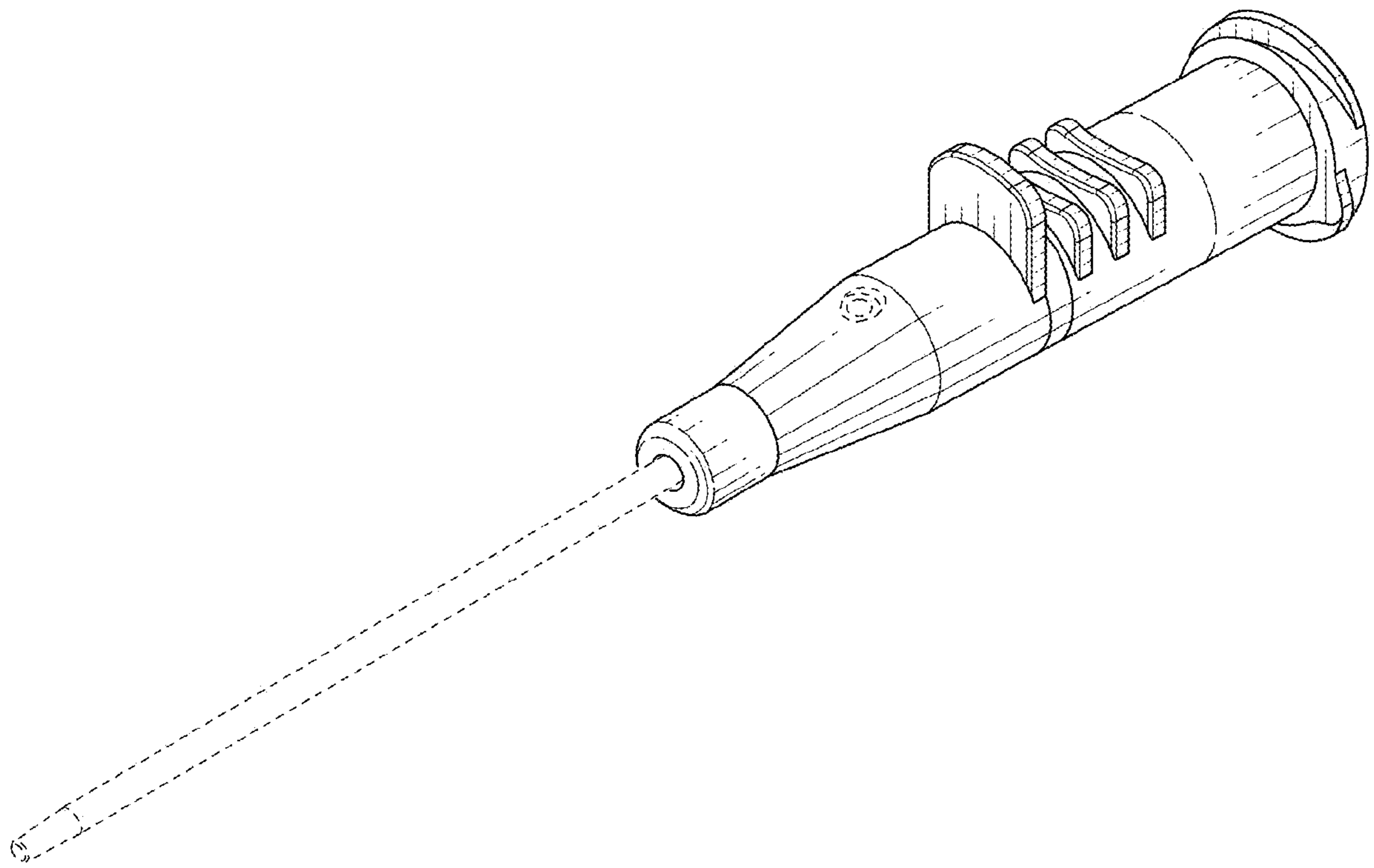


FIG. 2

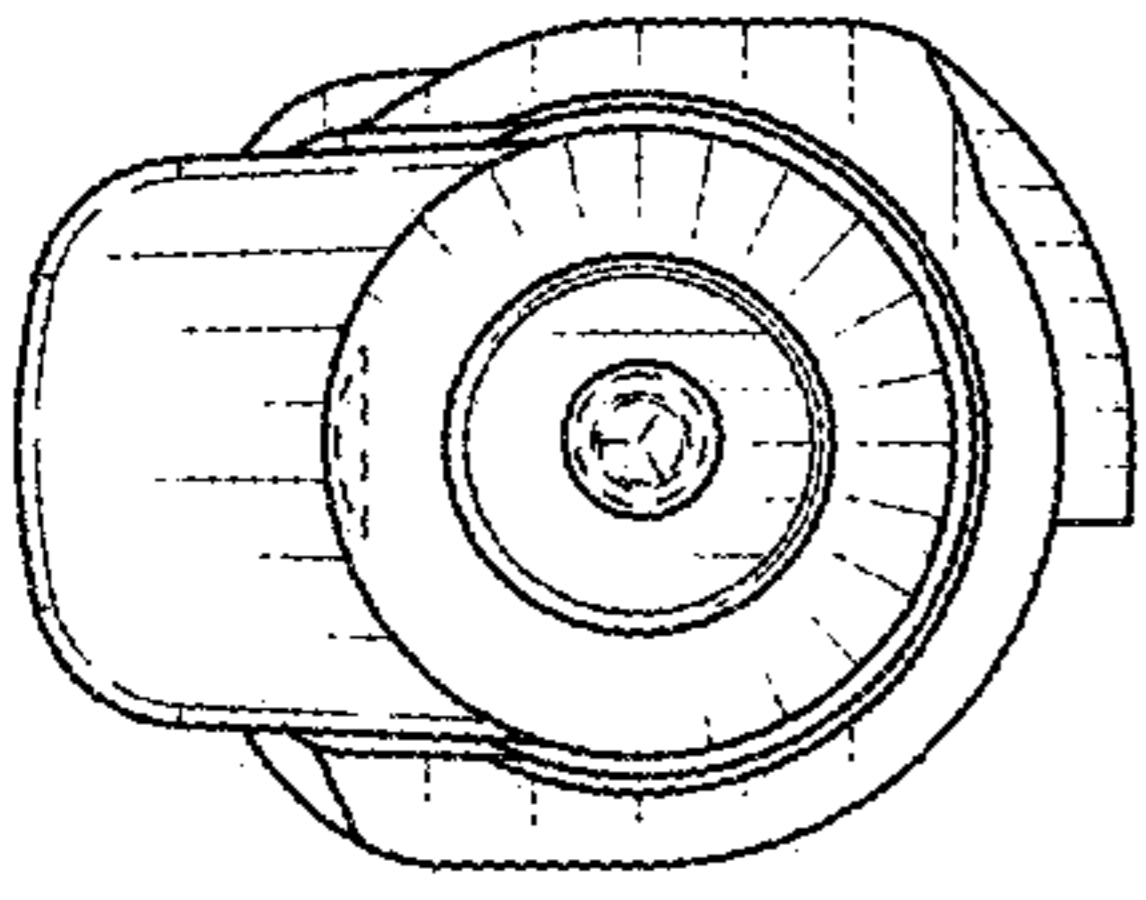


FIG. 4

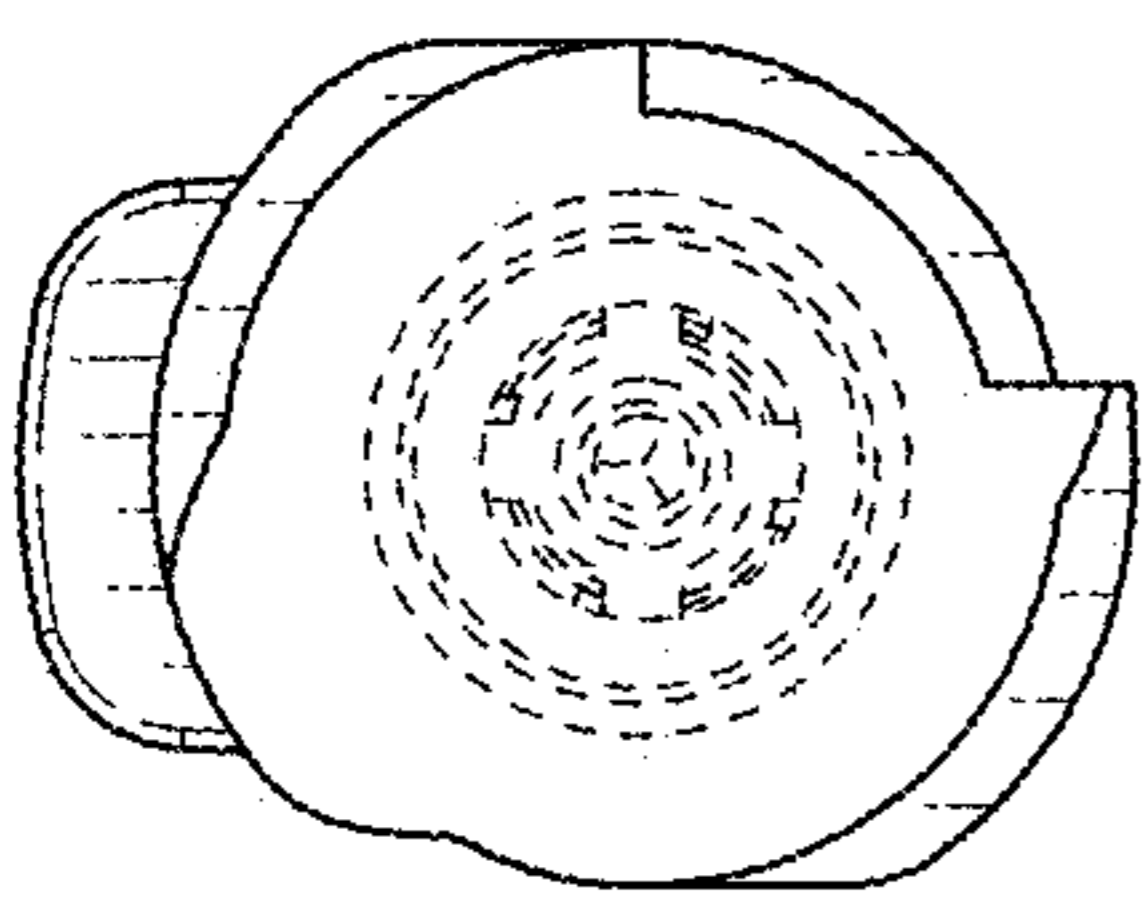


FIG. 3

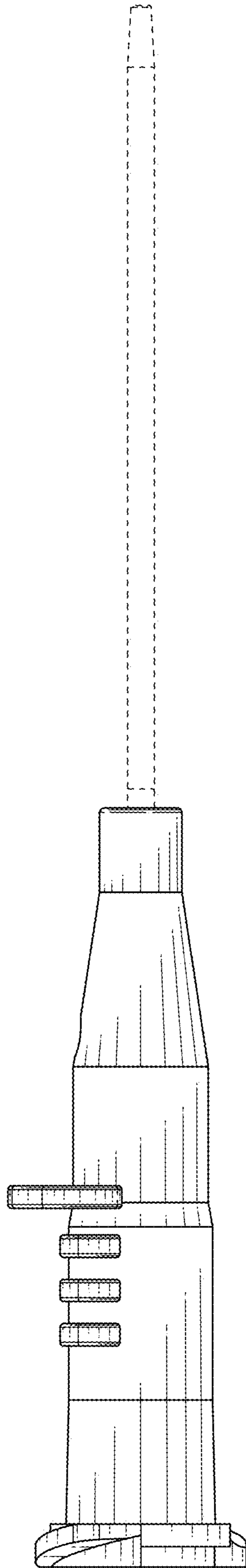


FIG. 5

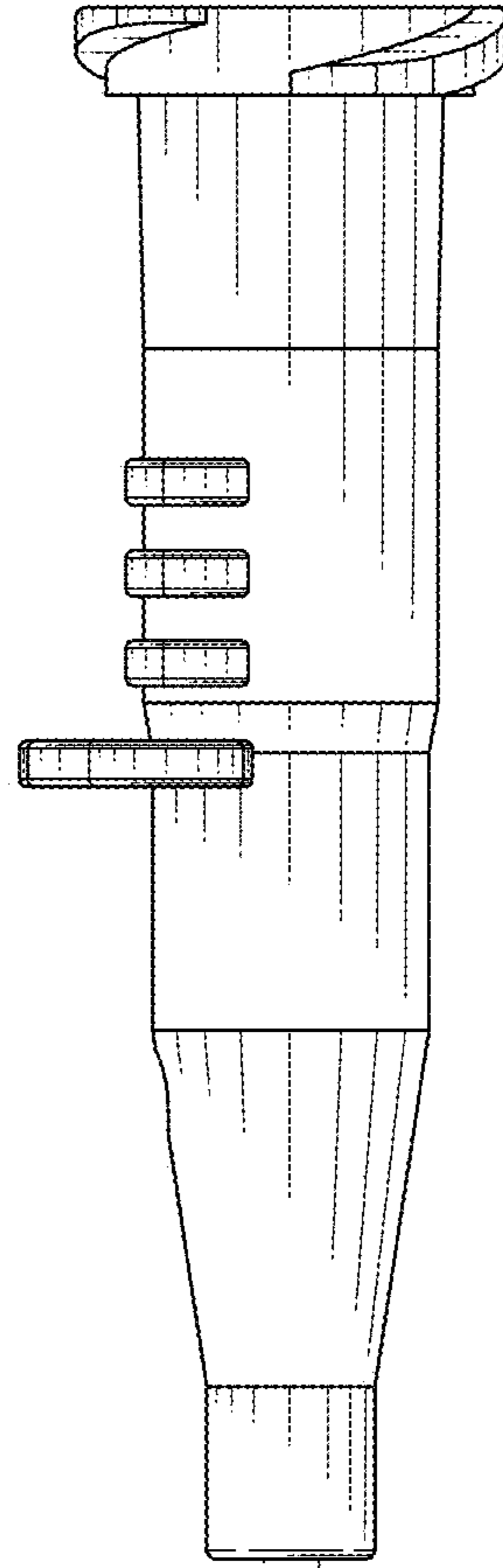


FIG. 6

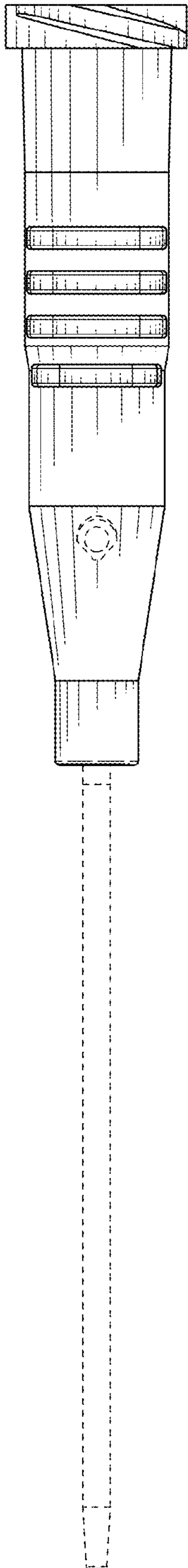


FIG. 7

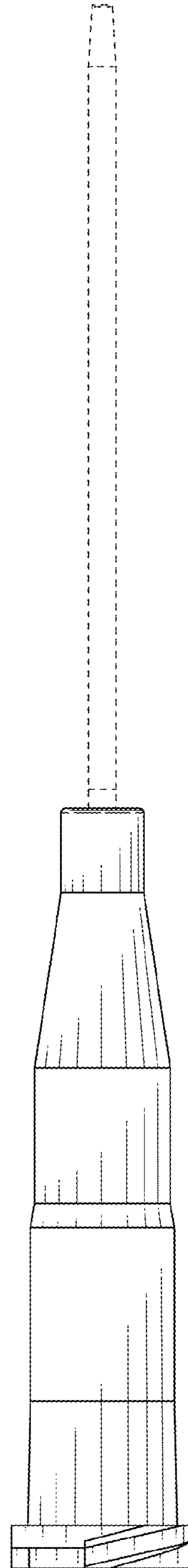


FIG. 8