



US00D929578S

(12) **United States Design Patent** (10) **Patent No.:** **US D929,578 S**
Johannes et al. (45) **Date of Patent:** **** Aug. 31, 2021**

(54) **URINE COLLECTION ASSEMBLY**
(71) Applicant: **PureWick Corporation**, El Cajon, CA (US)

3,613,123 A 10/1971 Langstrom
3,651,810 A 3/1972 Ormerod
3,726,277 A 4/1973 Hirschman
(Continued)

(72) Inventors: **Ashley Johannes**, Atlanta, GA (US);
Eric Rehm, Lawrenceville, GA (US)

FOREIGN PATENT DOCUMENTS

CN 1533755 A 10/2004
CN 1602825 A 4/2005
(Continued)

(73) Assignee: **PUREWICK CORPORATION**, El Cajon, CA (US)

(**) Term: **15 Years**

OTHER PUBLICATIONS

(21) Appl. No.: **29/694,002**

Corrected Notice of Allowability for U.S. Appl. No. 15/221,106 dated Jul. 2, 2019.

(22) Filed: **Jun. 6, 2019**

(Continued)

(51) **LOC (13) Cl.** **24-02**

Primary Examiner — Nathan M Johnston

(52) **U.S. Cl.**
USPC **D24/122**

(74) *Attorney, Agent, or Firm* — Dorsey & Whitney LLP

(58) **Field of Classification Search**
USPC D24/121–123, 117, 224; 604/329, 317,
604/318, 334; 600/573, 574; 4/450–460,
4/144.1–144.4, DIG. 5
CPC A61G 9/006; A61G 9/003
See application file for complete search history.

(57) **CLAIM**

The ornamental design for a urine collection assembly, as shown and described.

DESCRIPTION

(56) **References Cited**

U.S. PATENT DOCUMENTS

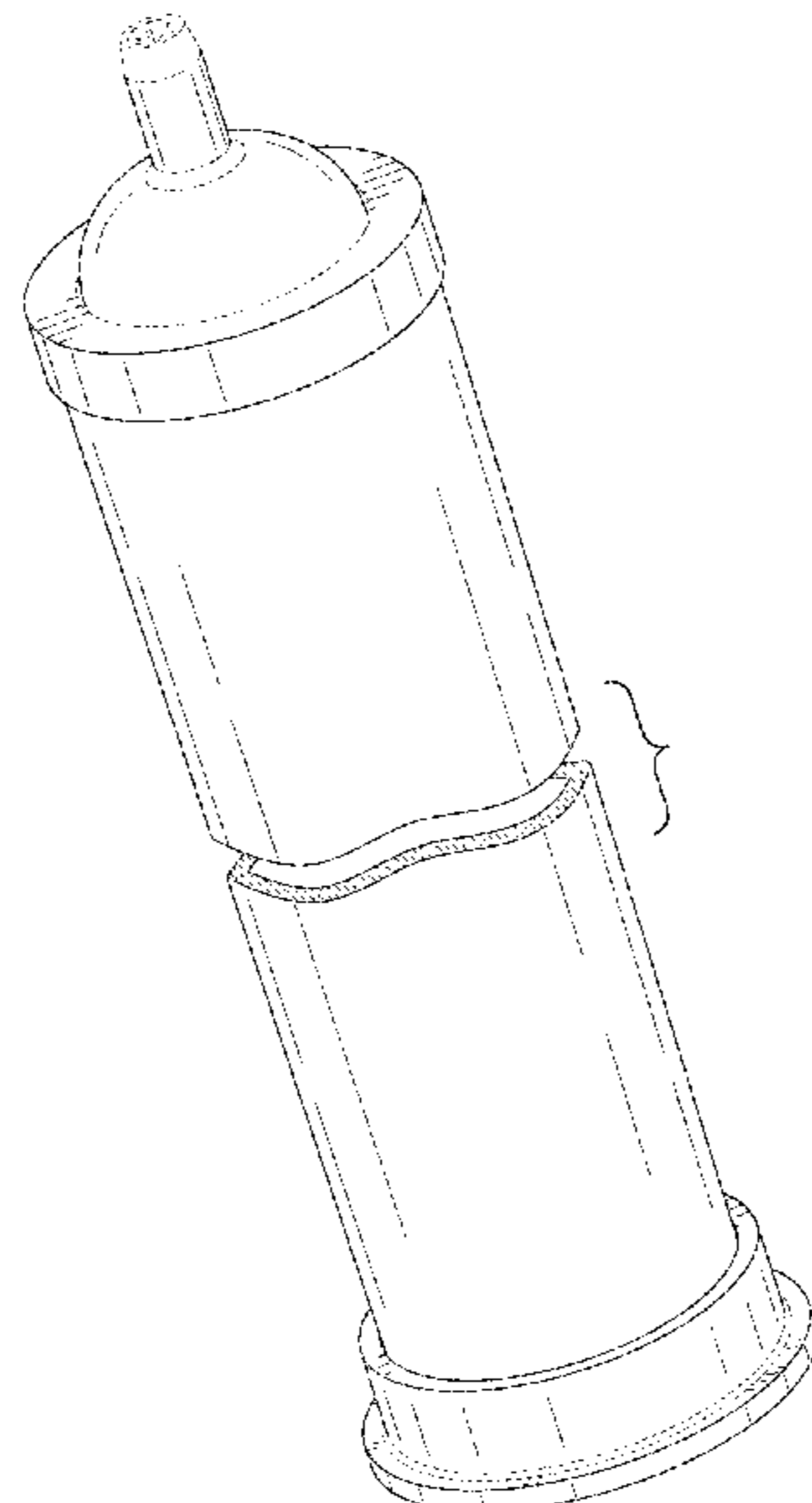
1,742,080 A	12/1929	Jones
2,613,670 A	10/1952	Edward
2,644,234 A	7/1953	Earl
2,968,046 A	1/1961	Duke
3,087,938 A	4/1963	Reimann et al.
3,198,994 A	8/1965	Hildebrandt et al.
3,312,981 A	4/1967	Mcguire et al.
3,349,768 A	10/1967	Keane
3,366,116 A	1/1968	Huck
3,400,717 A	9/1968	Cubitt et al.
3,406,688 A	10/1968	Cubitt
3,511,241 A	5/1970	Lee
3,512,185 A	5/1970	Ellis
3,520,300 A	7/1970	Flower

FIG. 1 is a front, top, perspective view of a urine collection assembly, according to a new design;
FIG. 2 is a top plan view thereof, with the bottom plan view, right side elevational view, and left side elevational view are identical to the top plan view of FIG. 2;
FIG. 3 is a front elevational view thereof;
FIG. 4 is a rear elevational view thereof; and,
FIG. 5 is a rear, top, perspective view thereof.

The broken lines shown in the drawings depict portions of the urine collecting assembly that form no part of the claimed design.

The urine collection assembly is shown with a symbolic break in its length. The appearance of any portion of the article between the beak lines forms no part of the claimed design.

1 Claim, 4 Drawing Sheets



(56)

References Cited

U.S. PATENT DOCUMENTS

4,020,843 A	5/1977	Kanall	5,894,608 A	4/1999	Birbara	
4,022,213 A	5/1977	Stein	D409,303 S *	5/1999	Oepping	D24/108
4,200,102 A	4/1980	Duhamel et al.	5,911,222 A	6/1999	Lawrence et al.	
4,202,058 A	5/1980	Anderson	5,957,904 A	9/1999	Holland	
4,233,025 A	11/1980	Larson et al.	5,972,505 A	10/1999	Phillips et al.	
4,246,901 A	1/1981	Frosch et al.	6,059,762 A	5/2000	Boyer et al.	
4,257,418 A	3/1981	Hessner	6,063,064 A	5/2000	Tuckey et al.	
4,270,539 A	6/1981	Frosch et al.	6,105,174 A	8/2000	Karlsten et al.	
4,352,356 A	10/1982	Tong	6,113,582 A	9/2000	Dwork	
4,387,726 A	6/1983	Denard	6,117,163 A	9/2000	Bierman	
4,425,130 A	1/1984	Desmarais	6,123,398 A	9/2000	Arai et al.	
4,453,938 A	6/1984	Brendling	6,129,718 A	10/2000	Wada et al.	
4,457,314 A	7/1984	Knowles	6,131,964 A	10/2000	Sareshwala	
4,526,688 A	7/1985	Schmidt, Jr. et al.	6,164,569 A	12/2000	Hollinshead et al.	
4,528,703 A	7/1985	Kraus	6,177,606 B1	1/2001	Etheredge et al.	
4,581,026 A	4/1986	Schneider	6,209,142 B1	4/2001	Mattsson et al.	
4,610,675 A	9/1986	Triunfol	6,248,096 B1	6/2001	Dwork et al.	
4,627,846 A	12/1986	Ternstroem	6,311,339 B1	11/2001	Kraus	
4,631,061 A	12/1986	Martin	6,336,919 B1	1/2002	Davis et al.	
4,650,477 A	3/1987	Johnson	6,338,729 B1	1/2002	Wada et al.	
4,692,160 A	9/1987	Nussbaumer	6,409,712 B1	6/2002	Dutari et al.	
4,713,066 A	12/1987	Komis	6,416,500 B1	7/2002	Wada et al.	
4,747,166 A	5/1988	Kuntz	6,475,198 B1	11/2002	Lipman et al.	
4,752,944 A	6/1988	Conrads et al.	6,479,726 B1	11/2002	Cole et al.	
4,769,215 A	9/1988	Ehrenkranz	6,491,673 B1	12/2002	Palumbo et al.	
4,772,280 A	9/1988	Rooyakkers	6,508,794 B1	1/2003	Palumbo et al.	
4,790,835 A	12/1988	Elias	6,540,729 B1	4/2003	Wada et al.	
4,791,686 A	12/1988	Taniguchi et al.	6,547,771 B2	4/2003	Robertson et al.	
4,795,449 A	1/1989	Schneider et al.	6,569,133 B2	5/2003	Cheng et al.	
4,799,928 A	1/1989	Crowley	6,592,560 B2	7/2003	Snyder et al.	
4,804,377 A	2/1989	Hanifl et al.	6,620,142 B1	9/2003	Flueckiger	
4,820,297 A	4/1989	Kaufman et al.	6,629,651 B1	10/2003	Male et al.	
4,846,909 A	7/1989	Klug et al.	6,635,038 B2	10/2003	Scovel	
4,882,794 A	11/1989	Stewart, III	6,685,684 B1	2/2004	Falconer	
4,883,465 A	11/1989	Brennan	6,702,793 B1	3/2004	Sweetser et al.	
4,886,508 A	12/1989	Washington	6,706,027 B2	3/2004	Harvie et al.	
4,886,509 A	12/1989	Mattsson	6,732,384 B2	5/2004	Scott	
4,889,533 A	12/1989	Beecher	6,740,066 B2	5/2004	Wolff et al.	
4,905,692 A	3/1990	More	6,783,519 B2	8/2004	Samuelsson	
4,965,460 A	10/1990	Tanaka et al.	6,814,547 B2	11/2004	Childers et al.	
5,002,541 A	3/1991	Conkling et al.	6,849,065 B2	2/2005	Schmidt et al.	
5,004,463 A	4/1991	Nigay	6,857,137 B2	2/2005	Otto	
5,031,248 A	7/1991	Kemper	6,885,690 B2	4/2005	Aggerstam et al.	
5,049,144 A	9/1991	Payton	6,888,044 B2	5/2005	Fell et al.	
5,071,347 A	12/1991	McGuire	6,912,737 B2	7/2005	Ernest et al.	
5,084,037 A	1/1992	Barnett	6,918,899 B2	7/2005	Harvie	
5,100,396 A	3/1992	Zamierowski	6,979,324 B2	12/2005	Bybordi et al.	
5,147,301 A	9/1992	Ruvio	7,018,366 B2	3/2006	Easter	
5,195,997 A	3/1993	Carns	7,066,411 B2	6/2006	Male et al.	
5,203,699 A	4/1993	Mcguire	7,125,399 B2	10/2006	Miskie	
5,244,458 A	9/1993	Takasu	7,131,964 B2	11/2006	Harvie	
5,294,983 A	3/1994	Ersoz et al.	7,135,012 B2	11/2006	Harvie	
5,295,983 A	3/1994	Kubo	7,141,043 B2	11/2006	Harvie	
5,300,052 A	4/1994	Kubo	7,171,699 B2	2/2007	Ernest et al.	
5,382,244 A	1/1995	Telang	7,171,871 B2	2/2007	Kozak	
5,466,229 A	11/1995	Elson et al.	7,179,951 B2	2/2007	Krishnaswamy-mirle et al.	
5,478,334 A	12/1995	Bernstein	7,181,781 B1	2/2007	Trabold et al.	
5,499,977 A	3/1996	Marx	7,186,245 B1	3/2007	Cheng et al.	
D373,928 S *	9/1996	Green	7,192,424 B2	3/2007	Cooper	
5,618,277 A	4/1997	Goulter	7,220,250 B2	5/2007	Suzuki et al.	
5,628,735 A	5/1997	Skow	7,335,189 B2	2/2008	Harvie	
5,636,643 A	6/1997	Argenta et al.	7,358,282 B2	4/2008	Krueger et al.	
5,674,212 A	10/1997	Osborn, III et al.	7,390,320 B2	6/2008	Machida et al.	
5,678,564 A	10/1997	Lawrence et al.	7,488,310 B2	2/2009	Yang	
5,678,654 A	10/1997	Uzawa	D591,106 S *	4/2009	Dominique	D7/507
5,687,429 A	11/1997	Rahlff	7,520,872 B2	4/2009	Biggie et al.	
5,695,485 A	12/1997	Duperret et al.	D593,801 S *	6/2009	Wilson	D24/114
5,752,944 A	5/1998	Dann et al.	7,588,560 B1	9/2009	Dunlop	
5,772,644 A	6/1998	Bark et al.	7,682,347 B2	3/2010	Parks et al.	
5,827,247 A	10/1998	Kay	7,695,459 B2	4/2010	Gilbert et al.	
5,827,250 A	10/1998	Fujioka et al.	7,695,460 B2	4/2010	Wada et al.	
5,827,257 A	10/1998	Fujioka et al.	7,699,818 B2	4/2010	Gilbert	
D401,699 S *	11/1998	Herchenbach	7,699,831 B2	4/2010	Bengtson et al.	
5,865,378 A	2/1999	Hollinshead et al.	7,722,584 B2	5/2010	Tanaka et al.	
5,887,291 A	3/1999	Bellizzi	7,727,206 B2	6/2010	Gorres	
			7,740,620 B2	6/2010	Gilbert et al.	
			7,749,205 B2	7/2010	Tazoe et al.	
			7,755,497 B2	7/2010	Wada et al.	
			7,766,887 B2	8/2010	Burns, Jr. et al.	

(56)

References Cited

U.S. PATENT DOCUMENTS

7,833,169	B2	11/2010	Hannon	2005/0097662	A1	5/2005	Leimkuhler et al.
7,866,942	B2	1/2011	Harvie	2005/0101924	A1	5/2005	Elson et al.
7,871,385	B2	1/2011	Levinson et al.	2005/0177070	A1	8/2005	Levinson et al.
7,875,010	B2	1/2011	Frazier et al.	2005/0197639	A1	9/2005	Mombrinie
7,901,389	B2	3/2011	Mombrinie	2005/0277904	A1	12/2005	Chase et al.
7,927,320	B2	4/2011	Goldwasser et al.	2005/0279359	A1	12/2005	LeBlanc et al.
7,927,321	B2	4/2011	Marland	2006/0004332	A1	1/2006	Marx
7,931,634	B2	4/2011	Swiecicki et al.	2006/0015080	A1	1/2006	Mahnensmith
7,939,706	B2	5/2011	Okabe et al.	2006/0015081	A1	1/2006	Suzuki et al.
7,947,025	B2	5/2011	Buglino et al.	2006/0155214	A1	7/2006	Wightman
7,976,519	B2	7/2011	Bubb et al.	2006/0200102	A1	9/2006	Cooper
7,993,318	B2	8/2011	Olsson et al.	2006/0229576	A1	10/2006	Conway et al.
8,028,460	B2	10/2011	Williams	2006/0231648	A1	10/2006	Male et al.
8,128,608	B2	3/2012	Thevenin	2006/0235359	A1	10/2006	Marland
8,181,651	B2	5/2012	Pinel	2007/0006368	A1	1/2007	Key et al.
8,211,063	B2	7/2012	Bierman et al.	2007/0038194	A1	2/2007	Wada et al.
8,221,369	B2	7/2012	Parks et al.	2007/0117880	A1	5/2007	Elson et al.
8,241,262	B2	8/2012	Mahnensmith	2007/0135786	A1	6/2007	Schmidt et al.
8,277,426	B2	10/2012	Wilcox et al.	2007/0191804	A1	8/2007	Coley
8,287,508	B1	10/2012	Sanchez	2007/0214553	A1	9/2007	Carromba et al.
8,303,554	B2	11/2012	Tsai et al.	2007/0266486	A1	11/2007	Ramirez
8,337,477	B2	12/2012	Parks et al.	2008/0004576	A1	1/2008	Tanaka et al.
D674,241	S *	1/2013	Bickert D7/510	2008/0015527	A1	1/2008	House
8,343,122	B2	1/2013	Gorres	2008/0033386	A1	2/2008	Okabe et al.
8,353,074	B2	1/2013	Krebs	2008/0091153	A1	4/2008	Harvie
D676,241	S	2/2013	Merrill	2008/0091158	A1	4/2008	Yang
8,388,588	B2	3/2013	Wada et al.	2008/0234642	A1	9/2008	Patterson et al.
8,425,482	B2	4/2013	Khoubnazar	2008/0281282	A1	11/2008	Finger et al.
8,546,639	B2	10/2013	Wada et al.	2008/0287894	A1	11/2008	Van Den Heuvel et al.
8,551,075	B2	10/2013	Bengtson	2009/0025717	A1	1/2009	Pinel
8,568,376	B2	10/2013	Delattre et al.	2009/0056003	A1	3/2009	Ivie et al.
8,585,683	B2	11/2013	Bengtson et al.	2009/0192482	A1	7/2009	Dodge et al.
D704,330	S *	5/2014	Cicatelli D24/122	2009/0234312	A1	9/2009	Otoole et al.
D704,510	S *	5/2014	Mason D7/510	2009/0251510	A1	10/2009	Noro et al.
D705,423	S *	5/2014	Walsh Cutler D24/122	2009/0264840	A1	10/2009	Virginio
8,715,267	B2	5/2014	Bengtson et al.	2009/0270822	A1	10/2009	Medeiros
8,864,730	B2	10/2014	Conway et al.	2009/0281510	A1	11/2009	Fisher
8,936,585	B2	1/2015	Carson et al.	2010/0004612	A1	1/2010	Thevenin
D729,581	S *	5/2015	Boroski D7/510	2010/0121289	A1	5/2010	Parks et al.
9,028,460	B2	5/2015	Medeiros	2010/0185168	A1	7/2010	Graauw et al.
9,173,602	B2	11/2015	Gilbert	2010/0198172	A1	8/2010	Wada et al.
9,173,799	B2	11/2015	Tanimoto et al.	2010/0211032	A1	8/2010	Tsai et al.
9,248,058	B2	2/2016	Conway et al.	2010/0241104	A1	9/2010	Gilbert
9,480,595	B2	11/2016	Baham et al.	2010/0263113	A1	10/2010	Shelton et al.
D777,941	S *	1/2017	Piramoon D24/224	2010/0310845	A1	12/2010	Bond et al.
D804,907	S *	12/2017	Sandoval D7/510	2011/0028922	A1	2/2011	Kay et al.
D814,239	S *	4/2018	Arora D7/510	2011/0034889	A1	2/2011	Smith
10,226,376	B2	3/2019	Sanchez et al.	2011/0040267	A1	2/2011	Wada et al.
10,335,121	B2	7/2019	Desai	2011/0040271	A1	2/2011	Rogers et al.
10,376,406	B2	8/2019	Newton	2011/0054426	A1	3/2011	Stewart et al.
10,390,989	B2	8/2019	Sanchez et al.	2011/0060300	A1	3/2011	Weig et al.
10,478,356	B2	11/2019	Griffin	2011/0077495	A1	3/2011	Gilbert
2001/0054426	A1	12/2001	Knudson et al.	2011/0172620	A1	7/2011	Khambatta
2002/0019614	A1	2/2002	Woon	2011/0172625	A1	7/2011	Wada et al.
2002/0026161	A1	2/2002	Grundke	2011/0202024	A1	8/2011	Cozzens
2002/0087131	A1	7/2002	Wolff et al.	2012/0035577	A1	2/2012	Tomes et al.
2002/0189992	A1	12/2002	Schmidt et al.	2012/0103347	A1	5/2012	Wheaton et al.
2003/0004436	A1	1/2003	Schmidt et al.	2012/0165768	A1	6/2012	Sekiyama et al.
2003/0120178	A1	6/2003	Heki	2012/0165786	A1	6/2012	Chappa et al.
2003/0181880	A1	9/2003	Schwartz	2012/0210503	A1	8/2012	Anzivino et al.
2003/0195484	A1	10/2003	Harvie	2012/0245542	A1	9/2012	Suzuki et al.
2003/0233079	A1	12/2003	Parks et al.	2012/0245547	A1	9/2012	Wilcox et al.
2004/0006321	A1	1/2004	Cheng et al.	2012/0253303	A1	10/2012	Suzuki et al.
2004/0056122	A1	3/2004	Male et al.	2012/0330256	A1	12/2012	Wilcox et al.
2004/0127872	A1	7/2004	Petryk et al.	2013/0006206	A1	1/2013	Wada et al.
2004/0128749	A1	7/2004	Scott	2013/0053804	A1	2/2013	Soerensen et al.
2004/0143229	A1	7/2004	Easter	2013/0096523	A1	4/2013	Chang et al.
2004/0191919	A1	9/2004	Unger et al.	2014/0031774	A1	1/2014	Bengtson
2004/0207530	A1	10/2004	Nielsen	2014/0157499	A1	6/2014	Suzuki et al.
2004/0236292	A1	11/2004	Tazoe et al.	2014/0182051	A1	7/2014	Tanimoto et al.
2004/0254547	A1	12/2004	Okabe et al.	2014/0196189	A1	7/2014	Lee et al.
2005/0010182	A1	1/2005	Parks et al.	2014/0348139	A1	11/2014	Gomez Martinez
2005/0033248	A1	2/2005	Machida et al.	2014/0371628	A1	12/2014	Desai
2005/0070861	A1	3/2005	Okabe et al.	2015/0047114	A1	2/2015	Ramirez
2005/0070862	A1	3/2005	Tazoe et al.	2015/0135423	A1	5/2015	Sharpe et al.
				2015/0157300	A1	6/2015	Ealovega et al.
				2015/0209194	A1	7/2015	Heyman
				2015/0359660	A1	12/2015	Harvie
				2015/0366699	A1	12/2015	Nelson

(56)

References Cited

U.S. PATENT DOCUMENTS

2016/0029998 A1 2/2016 Brister et al.
 2016/0058322 A1 3/2016 Brister et al.
 2016/0100976 A1 4/2016 Conway et al.
 2016/0106604 A1 4/2016 Timm
 2016/0278662 A1 9/2016 Brister et al.
 2016/0366699 A1 12/2016 Zhang et al.
 2016/0367226 A1 12/2016 Newton et al.
 2016/0367411 A1 12/2016 Justiz et al.
 2016/0374848 A1 12/2016 Sanchez et al.
 2017/0007438 A1 1/2017 Harvie
 2017/0143534 A1 5/2017 Sanchez
 2017/0189225 A1 7/2017 Voorhees et al.
 2017/0202692 A1 7/2017 Laniado
 2017/0216081 A1 8/2017 Accosta
 2017/0246026 A1 8/2017 Laniado
 2017/0252202 A9 9/2017 Sanchez et al.
 2017/0266031 A1 9/2017 Sanchez et al.
 2017/0312116 A1 11/2017 Laniado
 2017/0333244 A1 11/2017 Laniado
 2017/0042748 A1 12/2017 Griffin
 2017/0348139 A1 12/2017 Newton et al.
 2018/0008451 A1 1/2018 Stroebech
 2018/0008804 A1 1/2018 Laniado
 2018/0028349 A1 2/2018 Newton et al.
 2018/0049910 A1 2/2018 Newton
 2018/0064572 A1 3/2018 Wiltshire
 2018/0200101 A1 7/2018 Su
 2018/0228642 A1 8/2018 Davis et al.
 2019/0038451 A1 2/2019 Harvie
 2019/0142624 A1 5/2019 Sanchez et al.
 2019/0224036 A1 7/2019 Sanchez et al.
 2019/0314190 A1 10/2019 Sanchez et al.
 2020/0046544 A1 2/2020 Godinez et al.
 2020/0085610 A1 3/2020 Cohn et al.

FOREIGN PATENT DOCUMENTS

CN 1720888 A 1/2006
 CN 101262836 A 9/2008
 CN 103717180 A 4/2014
 CN 107847384 A 3/2018
 DE 9407554.9 U1 5/1995
 DE 4443710 A1 6/1995
 DE 102011103783 A1 12/2012
 DK 9600118 11/1996
 EP 0032138 A2 7/1981
 EP 0119143 B1 11/1988
 EP 0610638 A1 8/1994
 EP 0613355 A1 9/1994
 EP 1382318 A1 1/2004
 EP 1382318 B1 5/2006
 EP 2180907 A1 5/2010
 EP 2380532 A1 10/2011
 EP 2879534 B1 3/2017
 EP 3169292 B1 11/2019
 EP 066070 B1 12/2020
 GB 1467144 A 3/1977
 GB 2106395 A 4/1983
 GB 2148126 B 7/1987
 GB 2191095 A 12/1987
 GB 2199750 A 7/1988
 GB 2260907 A 5/1993
 GB 2469496 A 10/2010
 JP S5410596 A 1/1979
 JP S5410596 Y2 5/1979
 JP H0267530 A 3/1990
 JP H02103871 A 4/1990
 JP H0460220 A 2/1992
 JP H05123349 A 5/1993
 JP H11113946 A 4/1999
 JP H11290365 A 10/1999
 JP 2000185068 A 7/2000
 JP 2001054531 2/2001
 JP 2001054531 A 2/2001
 JP 2001276107 A 10/2001

JP 2001276108 A 10/2001
 JP 2004267530 A 9/2004
 JP 2005066325 A 3/2005
 JP 2006026108 A 2/2006
 JP 3123547 B2 6/2006
 JP 2006204868 A 8/2006
 JP 3132659 B2 5/2007
 JP 4039641 B2 11/2007
 JP 2012523869 A 10/2012
 JP 2015092945 A 5/2015
 JP 3198994 B2 7/2015
 WO 8101957 A1 7/1981
 WO 8804558 A1 6/1988
 WO 9104714 A2 4/1991
 WO 9104714 A3 6/1991
 WO 9220299 A3 2/1993
 WO 9309736 A2 5/1993
 WO 9309736 A3 6/1993
 WO 9600096 A1 1/1996
 WO 9830336 A1 7/1998
 WO 0057784 A1 10/2000
 WO 0145618 A1 6/2001
 WO 0145621 A1 6/2001
 WO 03071931 A2 9/2003
 WO 03071931 A3 2/2004
 WO 2004019836 A1 3/2004
 WO 2005089687 A2 9/2005
 WO 2005107661 A2 11/2005
 WO 2007007845 A1 1/2007
 WO 2007042823 A2 4/2007
 WO 2008078117 A1 7/2008
 WO 2009052496 A1 4/2009
 WO 2009101738 A1 8/2009
 WO 2010030122 A3 7/2010
 WO 2011024864 A1 3/2011
 WO 2011132043 A1 10/2011
 WO 2013103291 A2 7/2013
 WO 2013131109 A1 9/2013
 WO 2014041534 A1 3/2014
 WO 2015023599 A1 2/2015
 WO 2015169403 A1 11/2015
 WO 2015170307 A1 11/2015
 WO 2016051385 A1 4/2016
 WO 2016055989 A1 4/2016
 WO 2016071894 A1 5/2016
 WO 2016103242 A1 6/2016
 WO 2016116915 A1 7/2016
 WO 2016200088 A1 12/2016
 WO 2017209779 A1 12/2017
 WO 2017210524 A1 12/2017
 WO 2018022414 A1 2/2018
 WO 2018056953 A1 3/2018
 WO 2018138513 A1 8/2018
 WO 2018152156 A1 8/2018
 WO 2018235065 A1 12/2018

OTHER PUBLICATIONS

Final Office Action for U.S. Appl. No. 14/952,591 dated Nov. 1, 2019.
 Final Office Action for U.S. Appl. No. 15/171,968 dated Feb. 14, 2020.
 Final Office Action for U.S. Appl. No. 29/624,661 dated Feb. 18, 2020.
 International Search Report and Written Opinion from International Application No. PCT/US2019/029608 dated Sep. 3, 2019.
 International Search Report and Written Opinion from International Application No. PCT/US2019/029609 dated Sep. 3, 2019.
 International Search Report and Written Opinion from International Application No. PCT/US2019/029610 dated Sep. 3, 2019.
 International Search Report and Written Opinion from International Application No. PCT/US2019/029611 dated Jul. 3, 2019.
 International Search Report and Written Opinion from International Application No. PCT/US2019/029613 dated Jul. 3, 2019.
 International Search Report and Written Opinion from International Application No. PCT/US2019/029614 dated Sep. 26, 2019.

(56)

References Cited

OTHER PUBLICATIONS

- International Search Report and Written Opinion from International Application No. PCT/US2019/029616 dated Aug. 30, 2019.
- Issue Notification for U.S. Appl. No. 15/221,106 dated Jul. 24, 2019.
- Issue Notification for U.S. Appl. No. 15/238,427 dated Jul. 24, 2019.
- Issue Notification for U.S. Appl. No. 15/260,103 dated Aug. 7, 2019.
- Non-Final Office Action for U.S. Appl. No. 14/592,591 dated Mar. 20, 2020.
- Non-Final Office Action for U.S. Appl. No. 15/171,968 dated Aug. 20, 2019.
- Non-Final Office Action for U.S. Appl. No. 15/612,325 dated Mar. 19, 2020.
- Non-Final Office Action for U.S. Appl. No. 29/624,661 dated Jul. 18, 2019.
- Notice of Allowance for U.S. Appl. No. 15/260,103 dated Jun. 7, 2019.
- U.S. Appl. No. 16/433,773, filed Jun. 6, 2019.
- U.S. Appl. No. 16/449,039, filed Jun. 21, 2019.
- U.S. Appl. No. 16/452,145, filed Jun. 25, 2019.
- U.S. Appl. No. 16/452,258, filed Jun. 25, 2019.
- U.S. Appl. No. 16/478,180, filed Jul. 16, 2019.
- U.S. Appl. No. 62/452,437, filed Jan. 31, 2017.
- U.S. Appl. No. 62/994,912, filed Mar. 26, 2020.
- Defendant and Counterclaim Plaintiff Sage Products, LLC's Answer, Defenses, and Counterclaims to Plaintiff's Amended Complaint, Nov. 1, 2019.
- Advisory Action for U.S. Appl. No. 14/952,591 dated Jun. 1, 2018.
- Advisory Action for U.S. Appl. No. 15/238,427 dated Apr. 10, 2019.
- AMXDmax In-Flight Bladder Relief; Omni Medical 2015; Omni Medical Systems, Inc.
- Corrected International Search Report and Written Opinion for International Application No. PCT/US2017/043025 mailed Jan. 11, 2018.
- Final Office Action for U.S. Appl. No. 14/947,759 dated Apr. 8, 2016.
- Final Office Action for U.S. Appl. No. 14/952,591 dated Feb. 23, 2018.
- Final Office Action for U.S. Appl. No. 15/171,968 dated Mar. 19, 2019.
- Final Office Action for U.S. Appl. No. 15/221,106 dated Jan. 23, 2019.
- Final Office Action for U.S. Appl. No. 15/238,427 dated Jan. 2, 2019.
- Final Office Action for U.S. Appl. No. 15/260,103 dated Feb. 14, 2019.
- International Search Report and Written Opinion for International Application No. PCT/US2017/043025 dated Oct. 18, 2017.
- International Search Report and Written Opinion for International Application No. PCT/US2018/015968 dated Apr. 6, 2018.
- International Search Report and Written Opinion for International Patent Application No. PCT/US16/49274, dated Dec. 1, 2016.
- International Search Report and Written Opinion for International Patent Application No. PCT/US2017/035625, dated Aug. 15, 2017.
- Issue Notification for U.S. Appl. No. 15/611,587 dated Feb. 20, 2019.
- Non-Final Office Action for U.S. Appl. No. 14/947,759, dated Mar. 17, 2016.
- Non-Final Office Action for U.S. Appl. No. 14/952,591 dated Aug. 1, 2017.
- Non-Final Office Action for U.S. Appl. No. 14/952,591 dated Mar. 21, 2019.
- Non-Final Office Action for U.S. Appl. No. 14/952,591 dated Sep. 28, 2018.
- Non-Final Office Action for U.S. Appl. No. 15/171,968 dated Jun. 12, 2018.
- Non-Final Office Action for U.S. Appl. No. 15/221,106 dated Jun. 5, 2018.
- Non-Final Office Action for U.S. Appl. No. 15/238,427 dated Aug. 8, 2018.
- Non-Final Office Action for U.S. Appl. No. 15/260,103 dated Sep. 26, 2018.
- Non-Final Office Action for U.S. Appl. No. 15/611,587 dated Jul. 13, 2018.
- Non-Final Office Action for U.S. Appl. No. 15/611,587 dated Dec. 29, 2017.
- Notice of Allowance for U.S. Appl. No. 15/221,106 dated May 1, 2019.
- Notice of Allowance for U.S. Appl. No. 15/238,427 dated May 23, 2019.
- Notice of Allowance for U.S. Appl. No. 15/611,587 dated Dec. 21, 2018.
- U.S. Appl. No. 15/171,968, filed Jun. 2, 2016.
- U.S. Appl. No. 15/221,106, filed Jul. 27, 2016.
- U.S. Appl. No. 15/260,103, filed Sep. 8, 2016.
- U.S. Appl. No. 15/611,587, filed Jun. 1, 2017.
- U.S. Appl. No. 15/612,325, filed Jun. 2, 2017.
- U.S. Appl. No. 16/369,676, filed Mar. 29, 2019.
- U.S. Appl. No. 62/665,297, filed May 1, 2018.
- U.S. Appl. No. 62/665,302, filed May 1, 2018.
- U.S. Appl. No. 62/665,317, filed May 1, 2018.
- U.S. Appl. No. 62/665,321, filed May 1, 2018.
- U.S. Appl. No. 62/665,331, filed May 1, 2018.
- U.S. Appl. No. 62/665,335, filed May 1, 2018.
- "Male Urinary Pouch External Collection Device", <http://www.hollister.com/en/products/Continence-Care-Products/Urine-Collectors/Urine-Collection-Accessories/Male-Urinary-Pouch-External-Collection-Device>, last accessed Feb. 12, 2018.
- "Step by Step How Ur24 WorksHome", <http://medicalpatentur24.com>, last accessed Dec. 6, 2017, Aug. 30, 2017, 4 pages.
- Parmar, "10 Finalists Chosen for Dare-to-Dream Medtech Design Challenge (PureWick)," Design Services, Nov. 10, 2014 (3 pages).
- Purewick, "Incontinence Relief for Women" Presentaton, (7 pages), Sep. 23, 2015.
- Pytlik, "Super Absorbent Polymers," University of Buffalo <http://www.courses.sens.buffalo.edu/ce435/Diapers/Diapers.html>, accessed on Feb. 17, 2017.
- Final Office Action for U.S. Appl. No. 15/612,325 dated Sep. 17, 2020.
- Non-Final Office Action for U.S. Appl. No. 15/171,968 dated May 11, 2020.
- Notice of Allowance for U.S. Appl. No. 29/624,661 dated Jul. 10, 2020.
- Notice of Allowance for U.S. Appl. No. 29/624,661 dated May 14, 2020.
- U.S. Appl. No. 16/904,868, filed Jun. 18, 2020.
- U.S. Appl. No. 16/905,400, filed Jun. 18, 2020.
- Sage's Initial Invalidity Contentions Regarding U.S. Pat. Nos. 8,287,508; 10,226,375; and 10,390,989, May 29, 2020, 193 pages.
- Sage's Supplemental and Initial Invalidity Contentions Regarding U.S. Pat. Nos. 8,287,508; 10,226,375; 10,390,989 and Initial Invalidity Contentions Regarding U.S. Pat. No. 10,376,407, Aug. 21, 2020, 277 pages.
- Excerpts from the 508 (U.S. Pat. No. 8,278,508) Patent's Prosecution History, 2020, 99 pages.
- PureWick's Response to Interrogatory No. 9 in *PureWick, LLC v. Sage Products, LLC*, Case No. 19-1508-MN, 2020, 6 pages.
- Corrected Certificate of Service, Case No. IPR2020-01426, U.S. Pat. No. 8,287,508, 2020, 2 pages.
- "How Period Panties Work", www.shethinx.com/pages/thinx-itworks, 2020, 10 pages.
- "Underwear that absorbs your period", Thinx!, <https://www.shethinx.com/pages/thinx-it-works> last accessed Jun. 24, 2020, 7 pages.
- Hollister, "Retracted Penis Pouch by Hollister", Vitality Medical. com, <https://www.vitalitymedical.com/hollister-retracted-penis-pouch.html> last accessed Jun. 24, 2020, 6 pages.
- Newman, "Declaration of Diane K. Newman Curriculum Vitae", Petition for Interparties Review, 2020, pp. 1-199.
- Newman, et al., "The Urinary Incontinence Sourcebook", Petition for Interparties Review, 1997, 23 pages.

(56)

References Cited

OTHER PUBLICATIONS

Sachtman, "New Relief for Pilots? It Depends", *Wired*, <https://www.wired.com/2008/05/pilot-relief/>, 2008, 2 pages.
 Final Office Action for U.S. Appl. No. 14/952,591 dated Nov. 27, 2020.
 Non-Final Office Action for U.S. Appl. No. 16/899,956 dated Oct. 16, 2020.
 Non-Final Office Action for U.S. Appl. No. 16/904,868 dated Nov. 25, 2020.
 Non-Final Office Action for U.S. Appl. No. 16/905,400 dated Dec. 2, 2020.
 Notice of Allowance for U.S. Appl. No. 15/171,968 dated Nov. 6, 2020.
 Notice of Allowance for U.S. Appl. No. 29/624,661 dated Sep. 29, 2020.
 U.S. Appl. No. 17/051,550, filed Oct. 29, 2020.
 U.S. Appl. No. 17/051,554, filed Oct. 29, 2020.
 U.S. Appl. No. 17/051,585, filed Oct. 29, 2020.
 U.S. Appl. No. 17/051,600, filed Oct. 29, 2020.
 U.S. Appl. No. 17/088,272, filed Nov. 3, 2020.
 Plaintiff's Opening Claim Construction Brief, Case No. 19-1508-MN, Oct. 16, 2020, 26 pages.
 Plaintiff's Identification of Claim Terms and Proposed Constructions, Case No. 19-1508-MN, 3 pages.
 Sage's Preliminary Identification of Claim Elements and Proposed Constructions for U.S. Patent Nos. 8,287,508, 10,226,376, 10,390,989 and 10,376,407, Case No. 19-1508-MN, 7 pages.

"3 Devices Take Top Honors in Dare-To-Dream Medtech Design Contest", *R+D Digest*, Nov. 2013, 1 page.
 "Advanced Mission Extender Device (AMDX) Products", Omni Medical Systems, Inc., 15 pages.
 "AMXD Control Starter Kit Brochure", <https://www.omnimedicalsys.com/index.php?page=products>, Omni Medical, 8 pages.
 "Research and Development Work Relating to Assistive Technology 2005-06", British Department of Health, Nov. 2006, 40 pages.
 "User & Maintenance Guide", Omni Medical, 2007, 16 pages.
 "Winners Announced for Dare-to-Dream Medtech Design Challenge", <https://www.mddionline.com/design-engineering/winners-announced-dare-dream-medtech-design-challenge>, MD&DI, 2014, 4 pages.
 Hollister, Female Urinary and Pouch and Male Urinary Pouch Brochure, 2011, 1 page.
 Macaulay, et al., "A Noninvasive Continence Management System Development and Evaluation of a Novel Toileting Device for Women", *The Wound, Ostomy and Continence Nurses Society*, vol. 34 No. 6, 2007, pp. 641-648.
 Non-Final Office Action for U.S. Appl. No. 17/088,272 dated Jan. 25, 2021.
 Notice of Allowance for U.S. Appl. No. 15/612,325 dated Jan. 21, 2021.
 Sage's Second Supplemental Invalidation Contentions Regarding U.S. Patent Nos. 8,287,508, 10,226,375, 10,390,989, and 10,376,407, 292 pages.
 Newton, et al., "Measuring Safety, Effectiveness and Ease of Use of PureWick in the Management of Urinary Incontinence in Bedbound Women: Case Studies", Jan. 8, 2016, 11 pages.

* cited by examiner

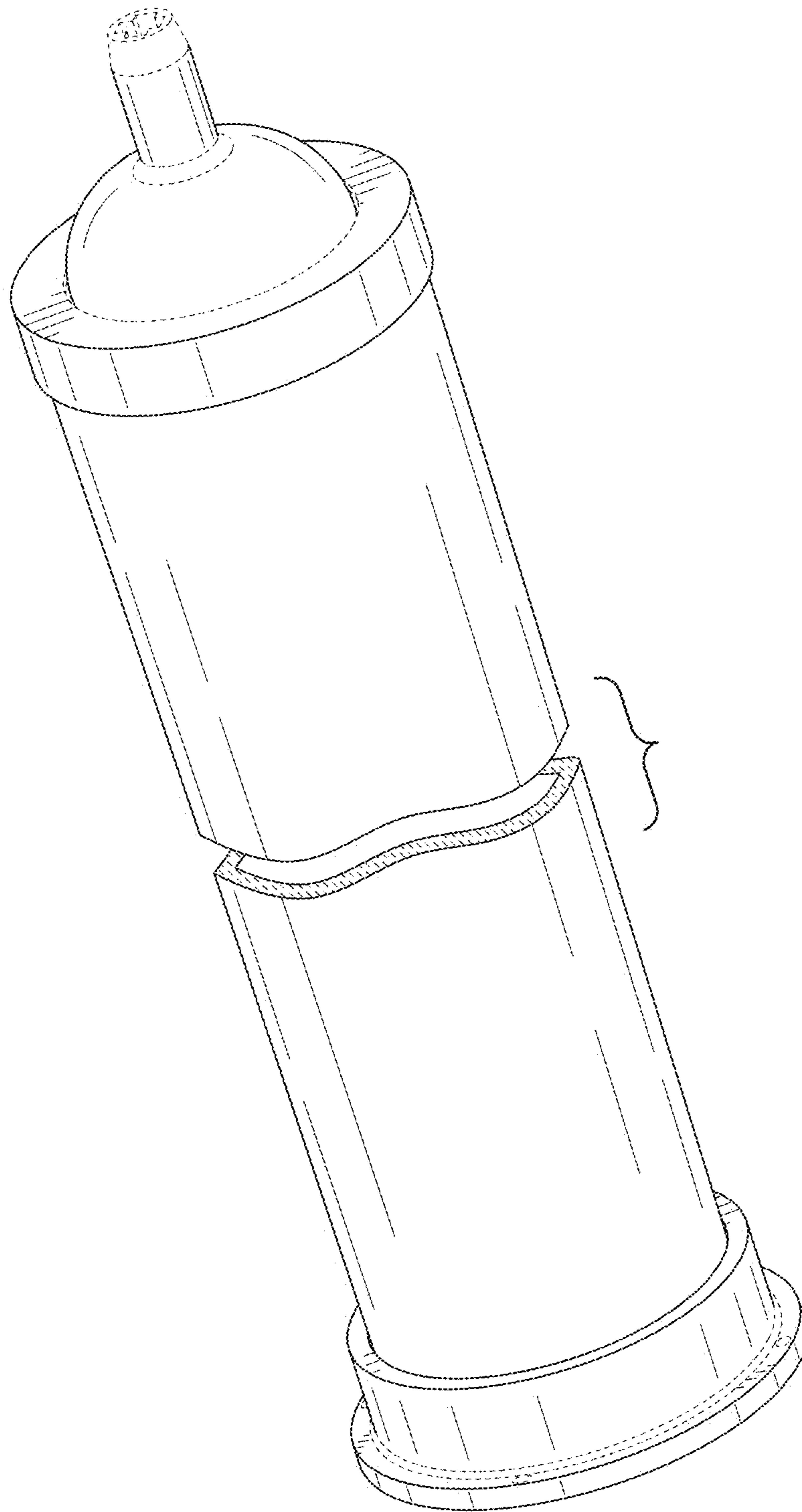


FIG. 1

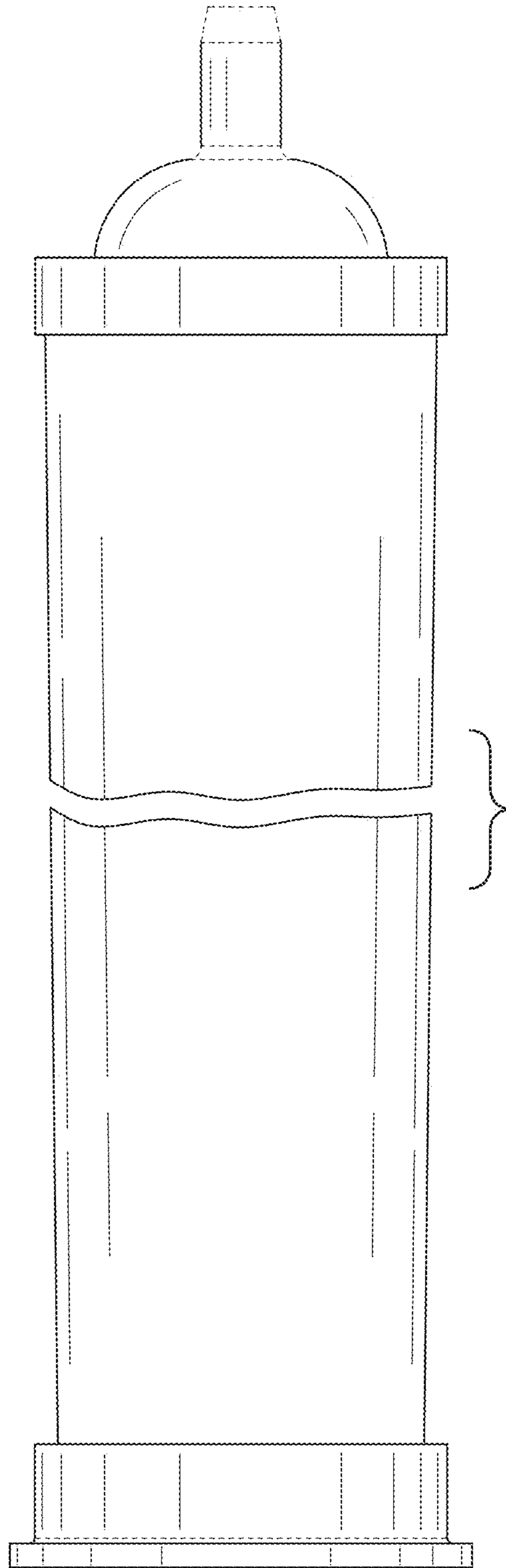


FIG. 2

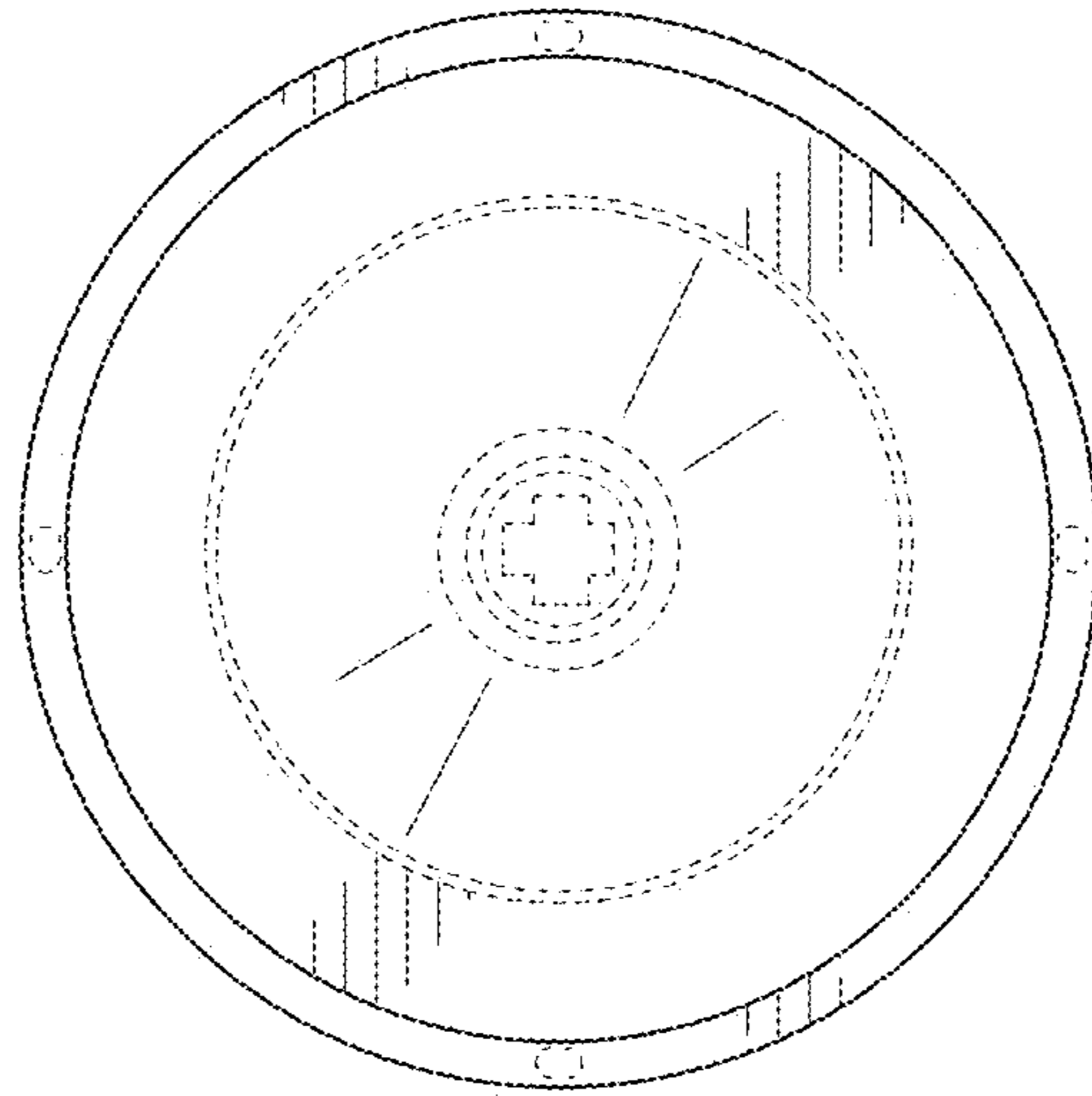


FIG. 3

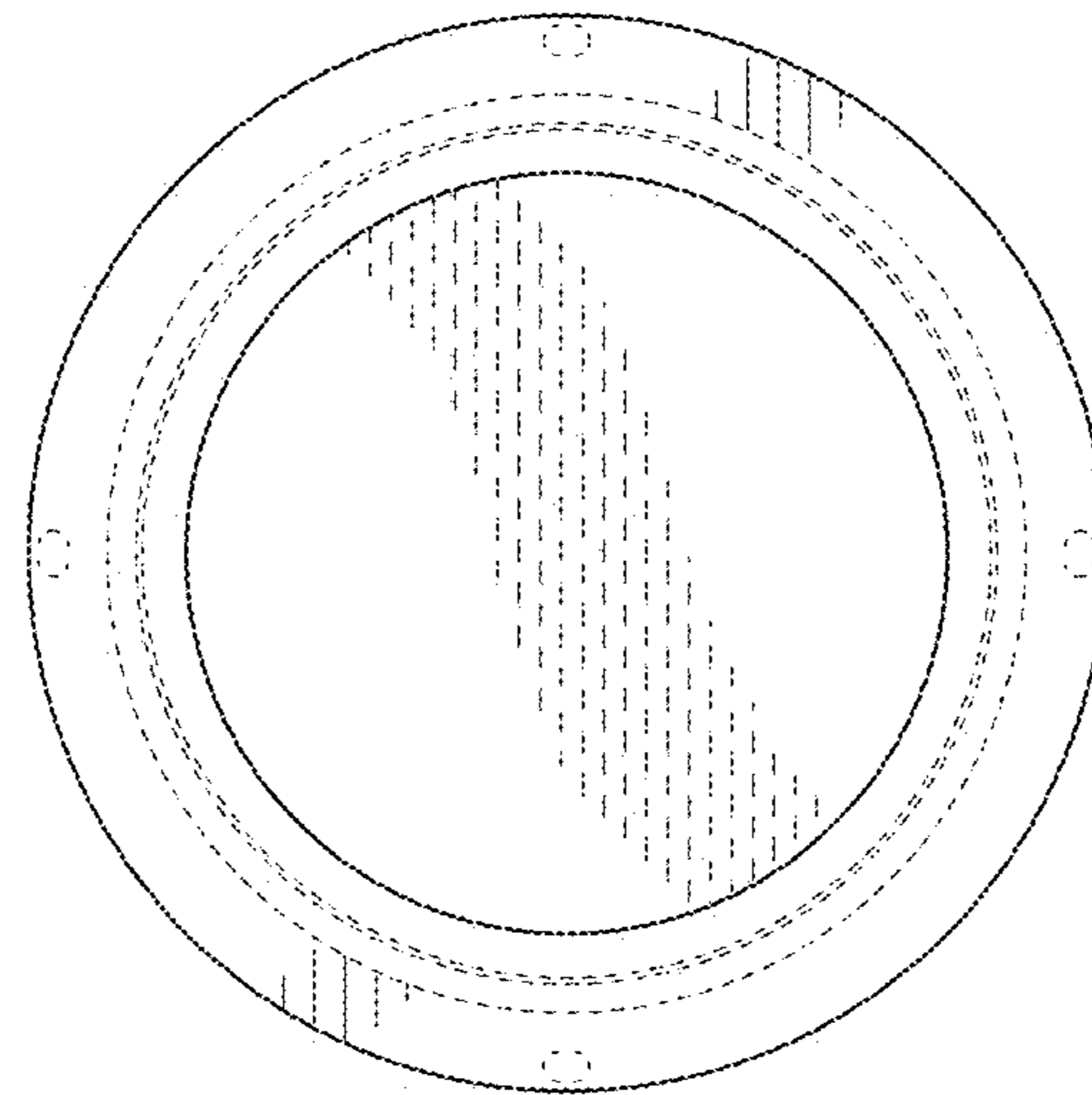


FIG. 4

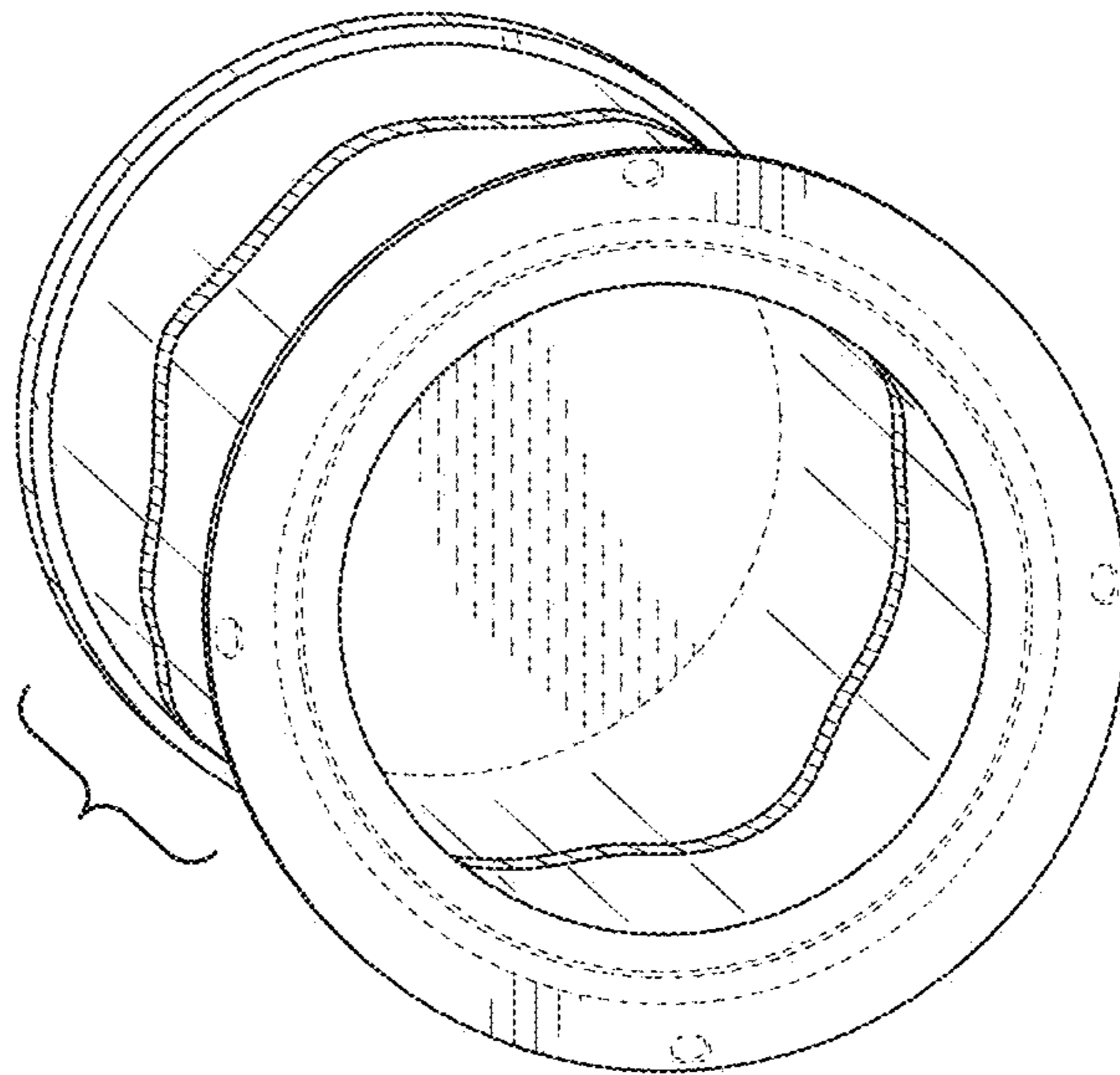


FIG. 5