



US00D929577S

(12) **United States Design Patent** (10) **Patent No.:** **US D929,577 S**
Juras (45) **Date of Patent:** **** Aug. 31, 2021**

(54) **ENTERAL FEEDING PACK**

(71) Applicant: **Megan Diane Juras**, Dutton, MT (US)

(72) Inventor: **Megan Diane Juras**, Dutton, MT (US)

(**) Term: **15 Years**

(21) Appl. No.: **29/664,998**

(22) Filed: **Sep. 28, 2018**

(51) **LOC (13) Cl.** **24-04**

(52) **U.S. Cl.**

USPC **D24/121**

(58) **Field of Classification Search**

USPC D24/121, 130, 108, 111, 112, 224, 133,
D24/117, 118, 127, 128; D9/523, 520,
D9/575, 732, 733, 738, 516; D7/629,
D7/709, 589; D3/273, 276, 283-287;
604/411-416, 403, 27, 37, 39, 48, 520,
604/319; 222/650, 188, 461, 465.1

CPC A61J 15/0026; A61J 15/0015; A61J
15/0073; A61J 15/00; A45F 3/04; A45F
2003/003; A45F 3/042; A45F 3/00

See application file for complete search history.

(56) **References Cited**

U.S. PATENT DOCUMENTS

3,568,965 A * 3/1971 Clark A61F 5/44
248/95

D222,687 S * 11/1971 Adams D24/110

4,087,864 A 5/1978 LaBove et al.

4,511,358 A * 4/1985 Johnson, Jr. A61F 5/4404
224/191

4,530,349 A 7/1985 Metzger

4,574,798 A 3/1986 Heitzman

4,688,270 A 8/1987 Denicola et al.

(Continued)

FOREIGN PATENT DOCUMENTS

EP 0075753 B1 1/1985

OTHER PUBLICATIONS

Camel, Breck, New Little Backpack, published Feb. 22, 2011,
<http://www.initforbennett.com/search?q=backpack>.

(Continued)

Primary Examiner — Nathan M Johnston

(74) *Attorney, Agent, or Firm* — Sarah J. Rhoades

(57) **CLAIM**

The ornamental design for an enteral feeding pack, as shown
and described.

DESCRIPTION

FIG. 1 is a rear isometric view of the new design for an
enteral feeding pack mounted upon an example strapping
arrangement shown in a closed configuration;

FIG. 2 is a rear view of the new design for an enteral feeding
pack in use by a seated child;

FIG. 3 is a front isometric view of the new design an enteral
feeding pack;

FIG. 4 is a rear view thereof;

FIG. 5 is a front view thereof;

FIG. 6 is a first side view thereof;

FIG. 7 is second side view thereof;

FIG. 8 is a top view thereof;

FIG. 9 is a bottom view thereof;

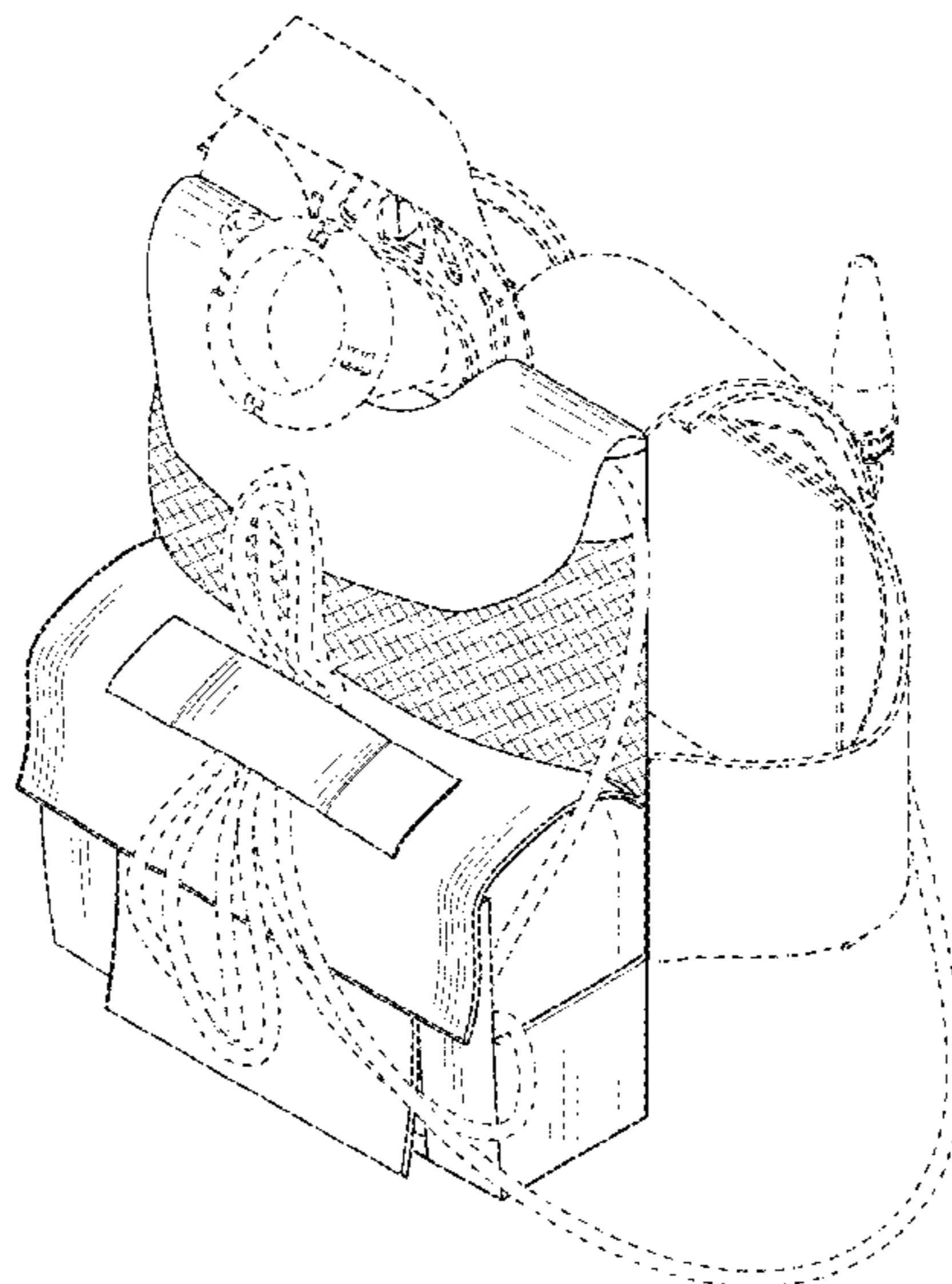
FIG. 10 is a front isometric view of an enteral feeding pack
mounted upon example strapping arrangement shown in an
open configuration;

FIG. 11 is a front view of the enteral feeding pack mounted
upon an example strapping arrangement that is laid open;
and,

FIG. 12 is a rear view of the enteral feeding pack mounted
upon an example strapping arrangement that is laid open.

The broken line showing of a child, tubing, a pump, milk
bags, and example strapping arrangement are included for
the purpose of showing environmental context and forms no
part of the claimed design.

1 Claim, 12 Drawing Sheets



(56)

References Cited

U.S. PATENT DOCUMENTS

D300,340 S * 3/1989 Faulconer D24/110.5
 4,813,943 A * 3/1989 Smith A61F 5/44
 604/329
 4,846,816 A * 7/1989 Manfredi A61F 5/4405
 604/323
 4,998,654 A 3/1991 Bruzek et al.
 5,048,122 A 9/1991 Prieur
 5,075,900 A 12/1991 Chittenden
 5,234,420 A * 8/1993 Horton A61F 5/4408
 604/345
 5,336,195 A 8/1994 Daneshvar
 5,369,804 A 12/1994 Metcalf
 5,411,495 A * 5/1995 Willingham A61F 5/455
 600/584
 D382,055 S * 8/1997 Cassidy D24/118
 5,676,294 A 10/1997 Eklund et al.
 D390,650 S * 2/1998 Middleton D24/110
 D391,368 S * 2/1998 Hall D24/110
 D392,036 S * 3/1998 McMillan D24/110
 5,755,698 A 5/1998 Kagan et al.
 D395,356 S * 6/1998 Tang D24/128
 5,806,096 A 9/1998 Pennington
 D404,481 S * 1/1999 Schwegman D24/110
 5,909,802 A 6/1999 Puco et al.
 6,032,289 A 3/2000 Villapiano
 D424,800 S * 5/2000 Harris D24/118
 6,336,222 B1 1/2002 Ware
 6,681,404 B1 1/2004 Adlard et al.
 7,282,044 B2 10/2007 Hudson et al.
 7,517,340 B2 * 4/2009 Barrientos A61F 5/44
 128/876
 7,726,312 B2 * 6/2010 Chapman A62B 25/00
 128/205.22
 7,810,172 B2 10/2010 Williams

7,927,311 B1 * 4/2011 Bachelder A45F 5/00
 604/179
 8,226,621 B2 * 7/2012 Timmons A61F 5/4408
 604/327
 8,486,035 B1 * 7/2013 Arce A41B 9/12
 604/345
 8,608,718 B1 * 12/2013 Patterson-Young
 A61F 5/4408
 604/353
 8,763,562 B2 7/2014 Fladl et al.
 8,807,412 B2 * 8/2014 Thomas A45C 11/00
 224/660
 D716,941 S * 11/2014 Sterling D24/128
 2005/0224534 A1 10/2005 Hudson et al.
 2006/0253953 A1 11/2006 Williams
 2009/0054844 A1 2/2009 Alyea et al.
 2009/0272773 A1 11/2009 Andrade
 2010/0282807 A1 11/2010 Sisk et al.
 2010/0325772 A1 12/2010 Fladl et al.
 2013/0053797 A1 * 2/2013 Locke A61M 27/00
 604/319
 2013/0055483 A1 3/2013 Moreno
 2013/0313284 A1 11/2013 Wang
 2014/0276492 A1 * 9/2014 Pratt A61M 1/88
 604/319
 2015/0237933 A1 8/2015 Abshire
 2015/0265352 A1 9/2015 Johnson
 2017/0049166 A1 2/2017 Shorter
 2019/0134362 A1 * 5/2019 Fee A61M 25/02

OTHER PUBLICATIONS

Groupe Hospitalier Du Havre, Backpack Carrying in Children with Cystic Fibrosis, published Mar. 7, 2016, <https://clinicaltrials.gov/ct2/show/NCT02700282>.

* cited by examiner

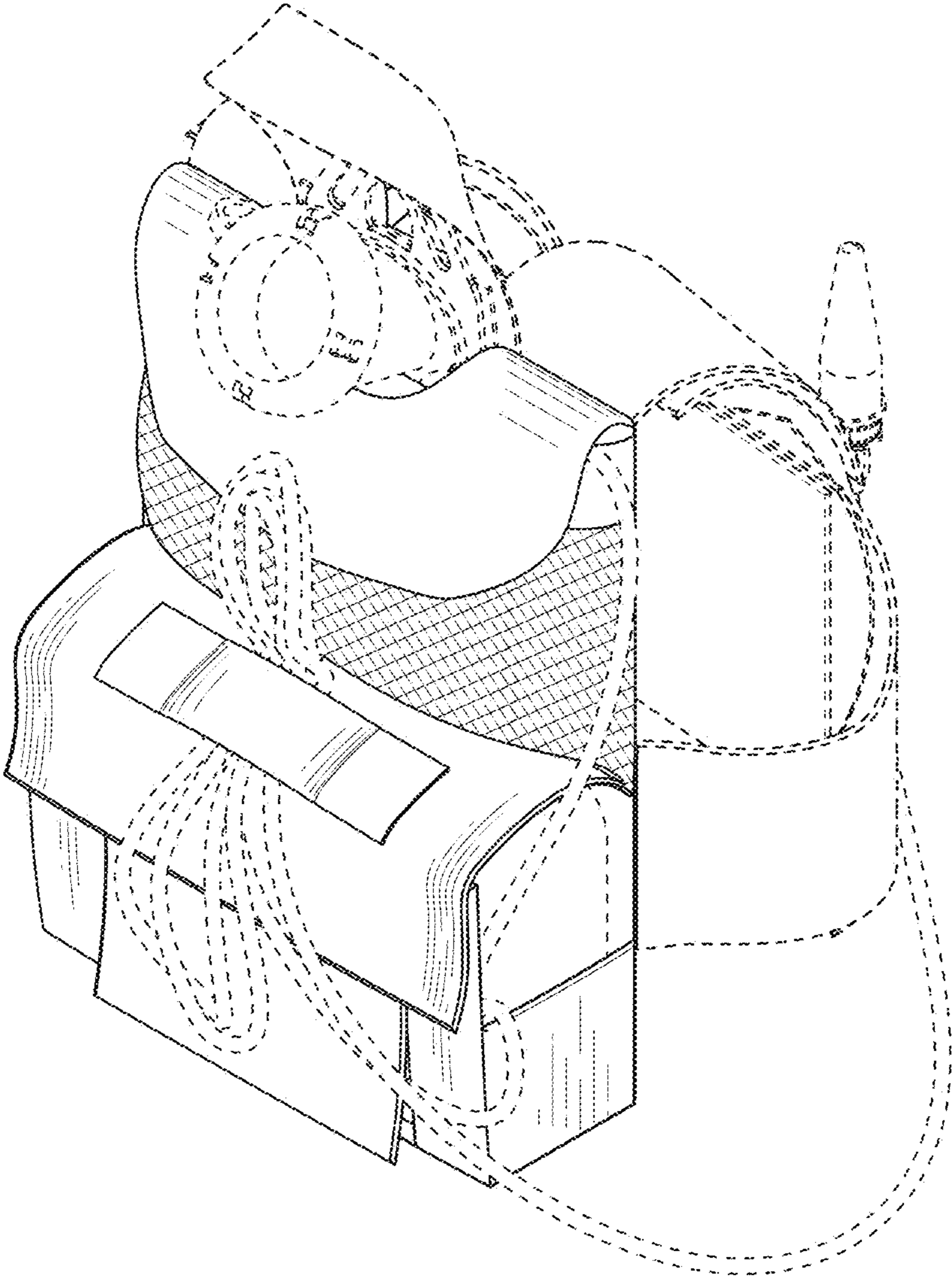


FIG. 1

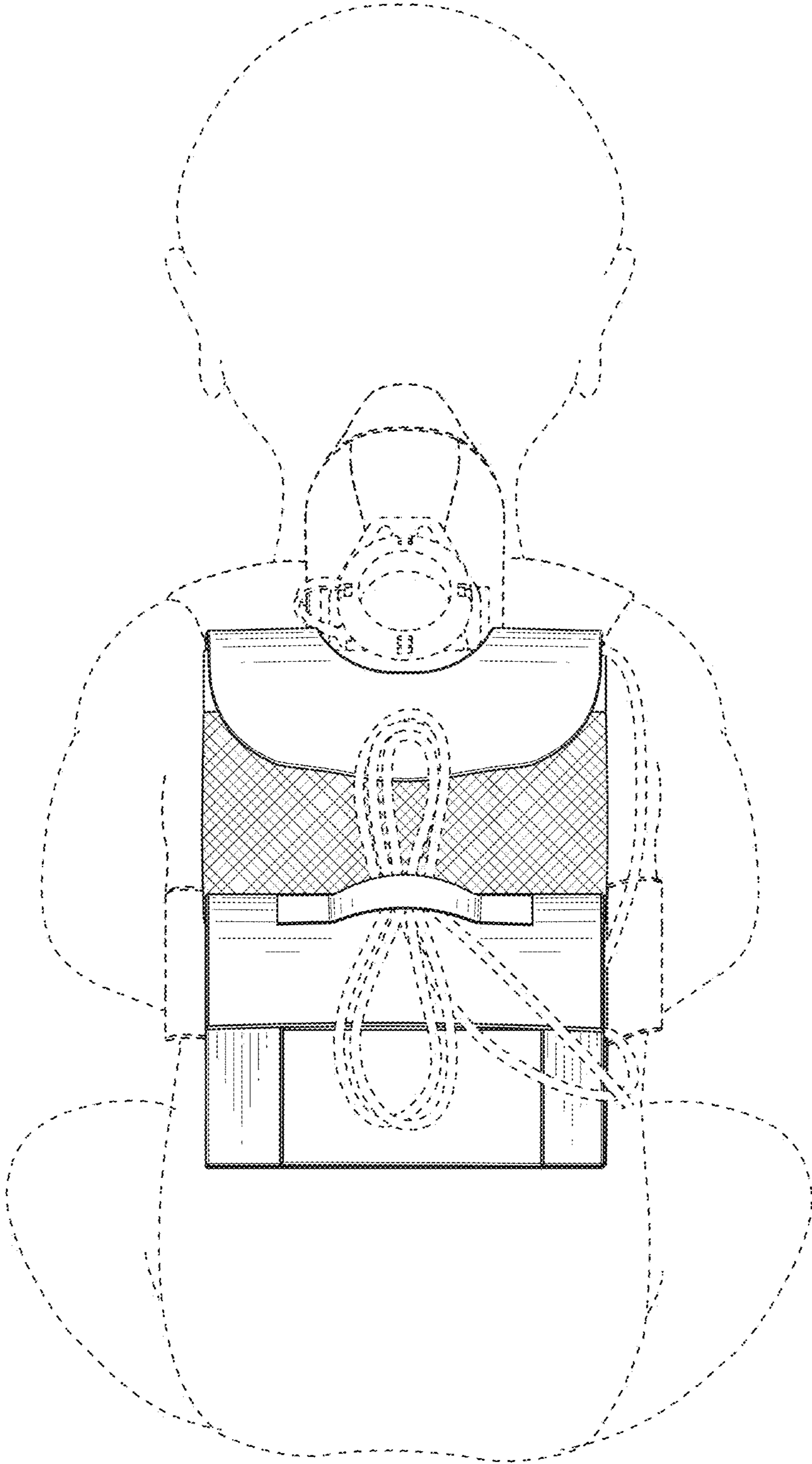


FIG. 2

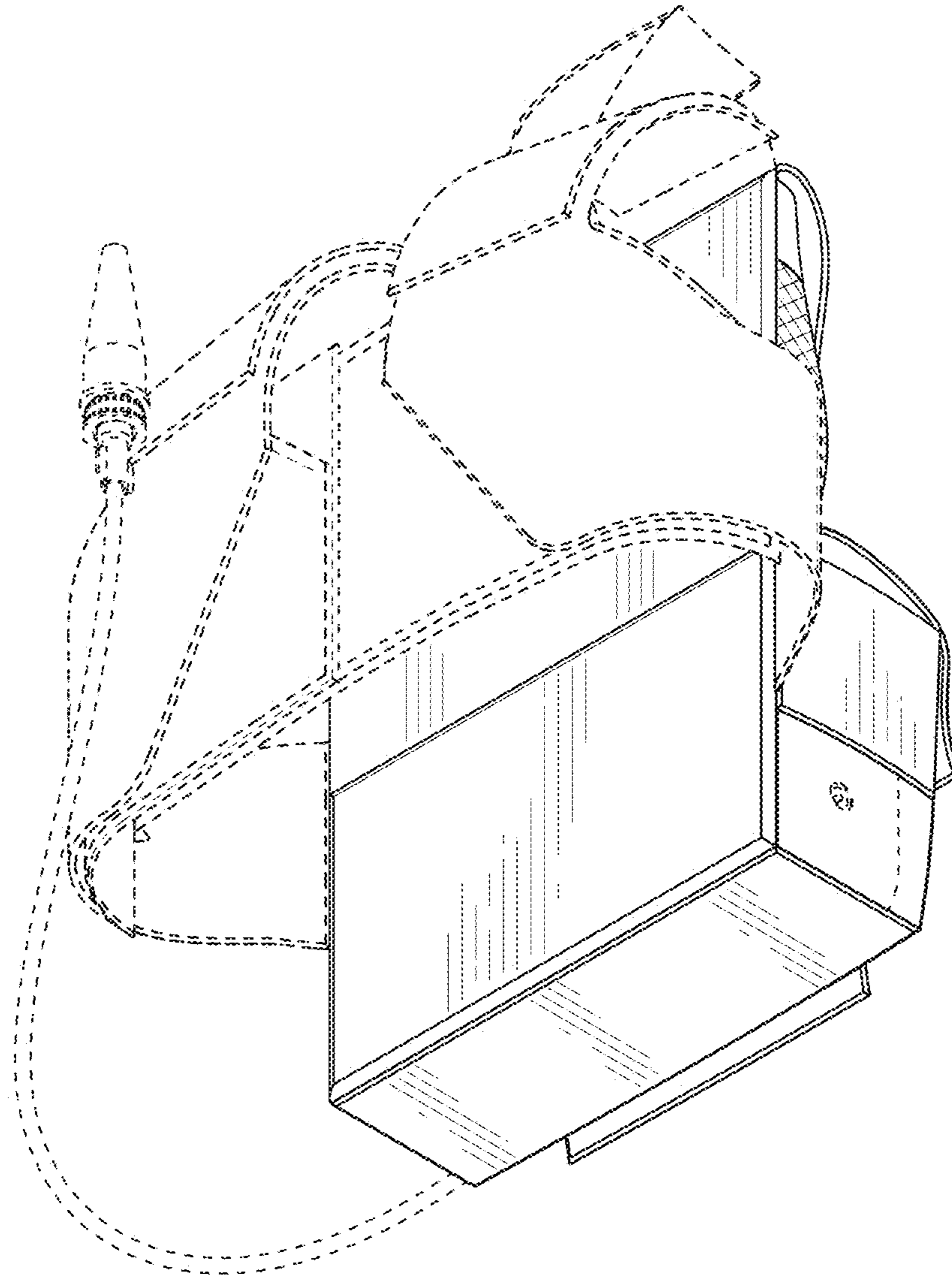


FIG. 3

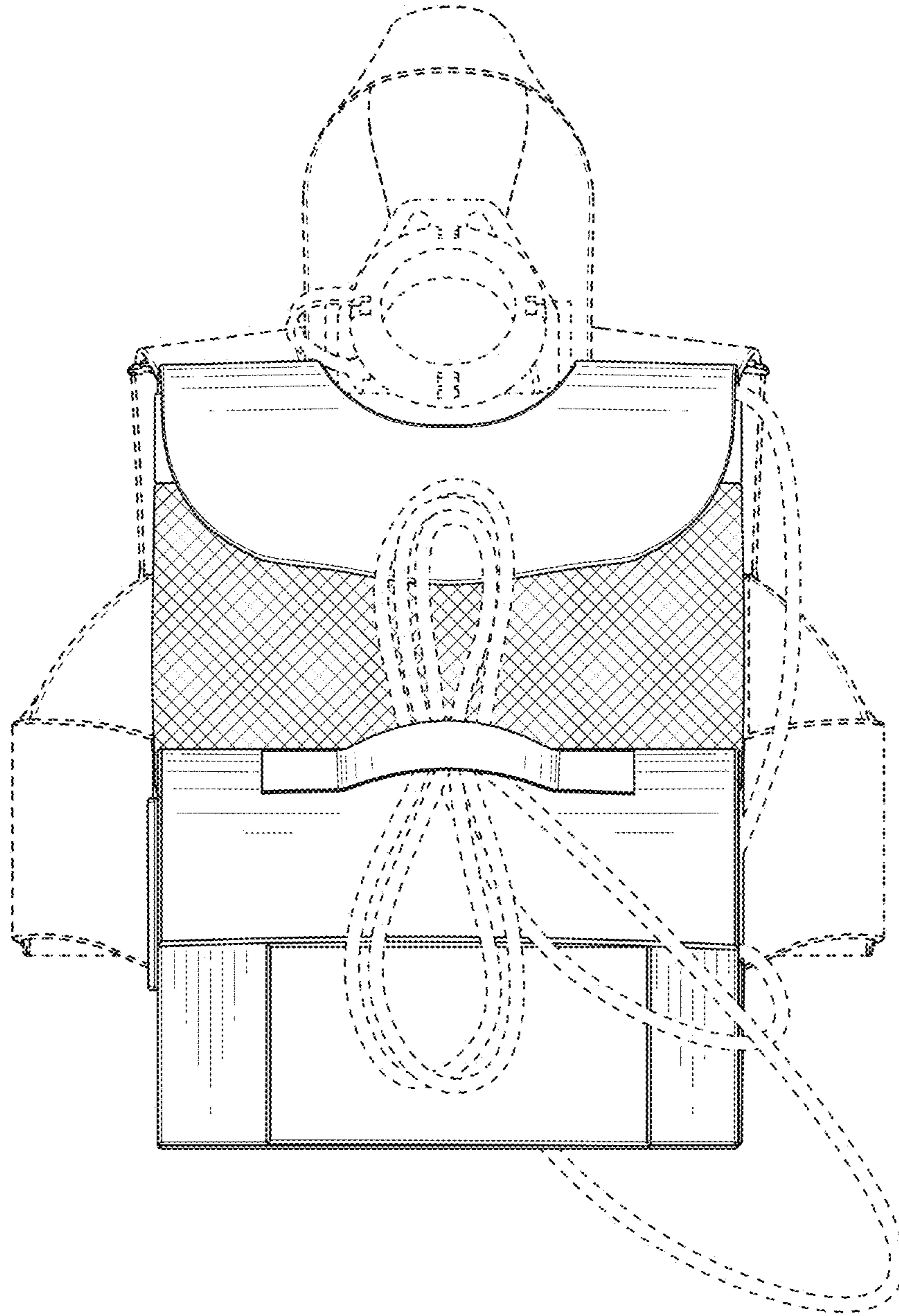


FIG. 4

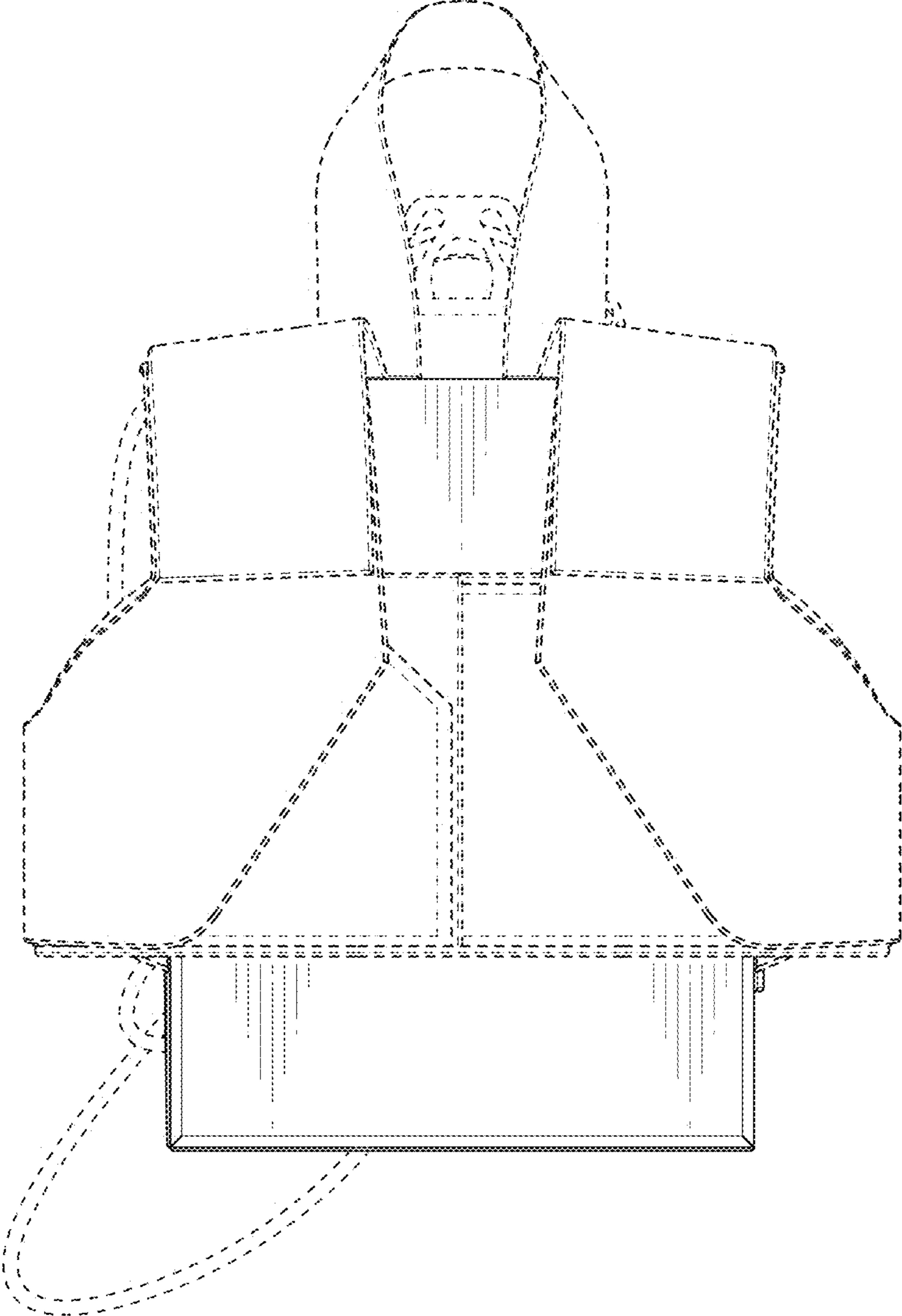


FIG. 5

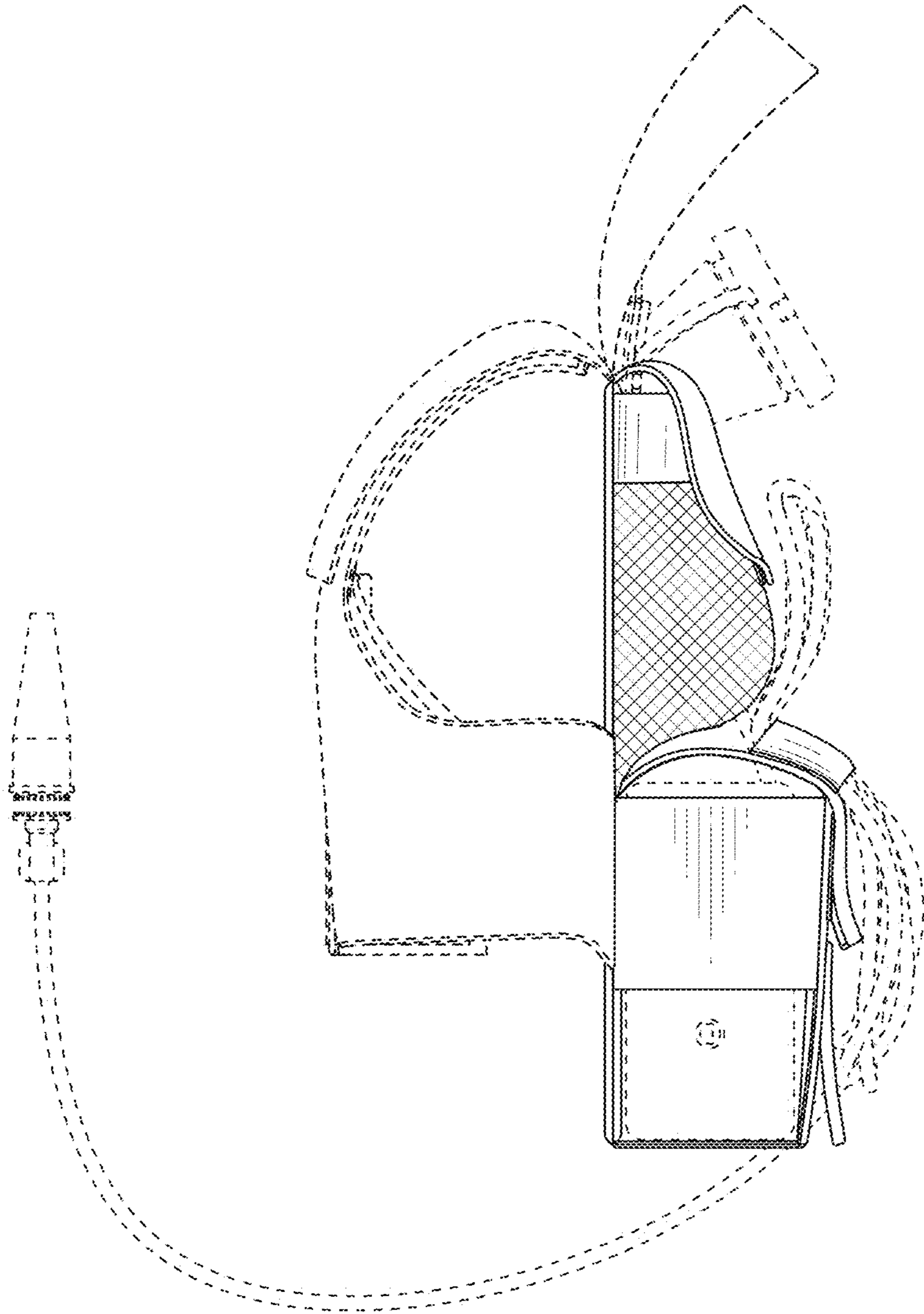


FIG. 6

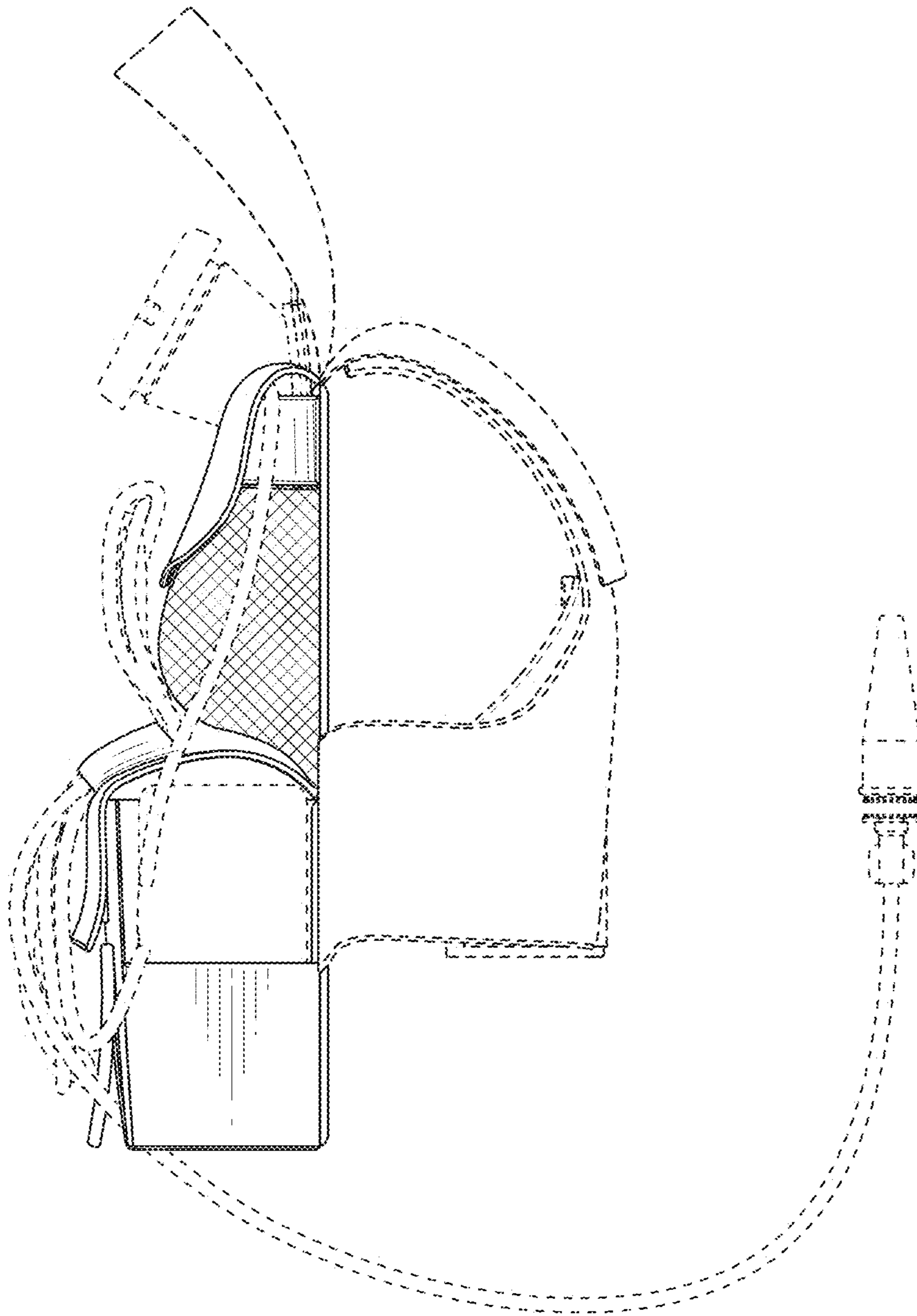


FIG. 7

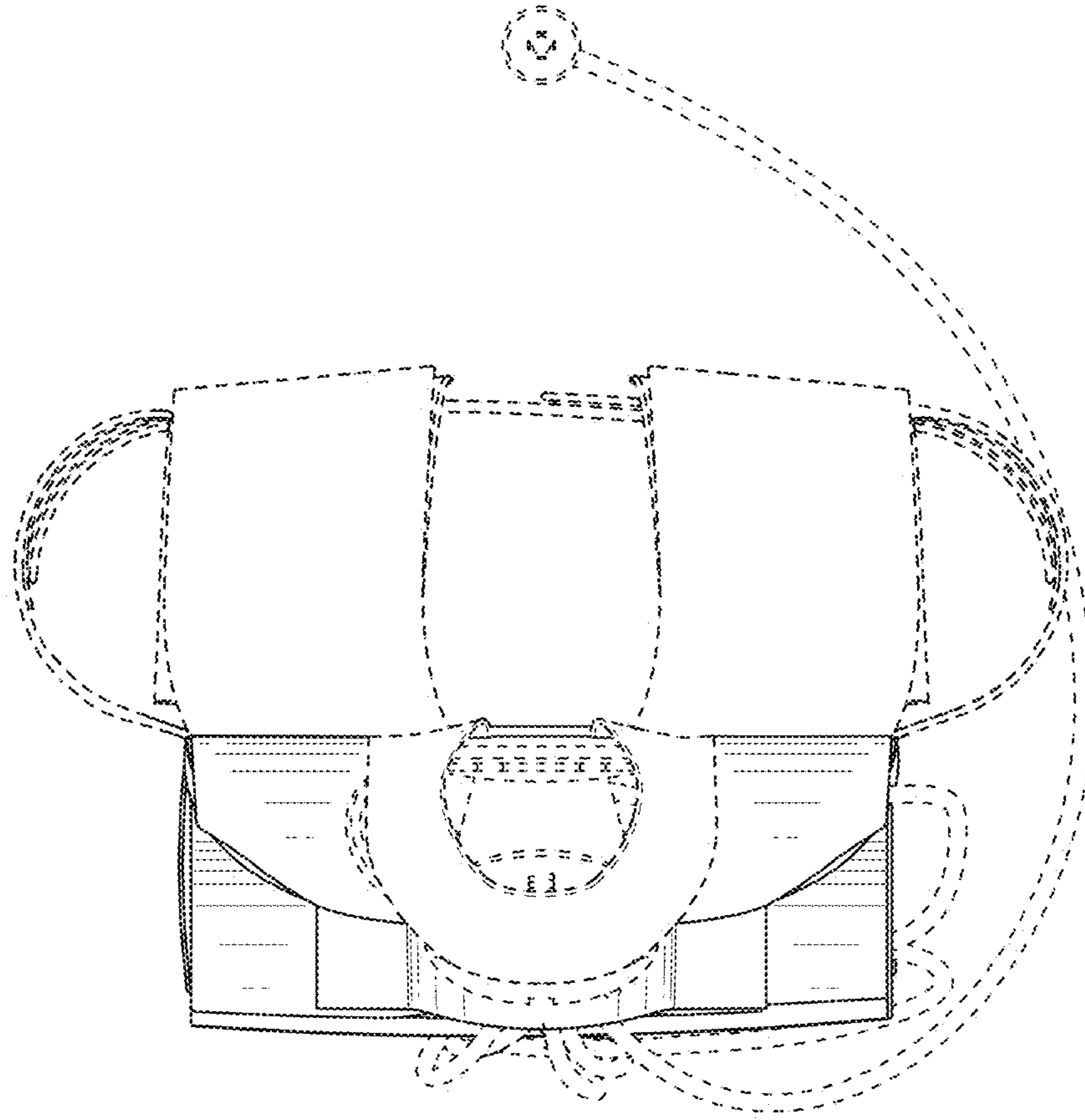


FIG. 8

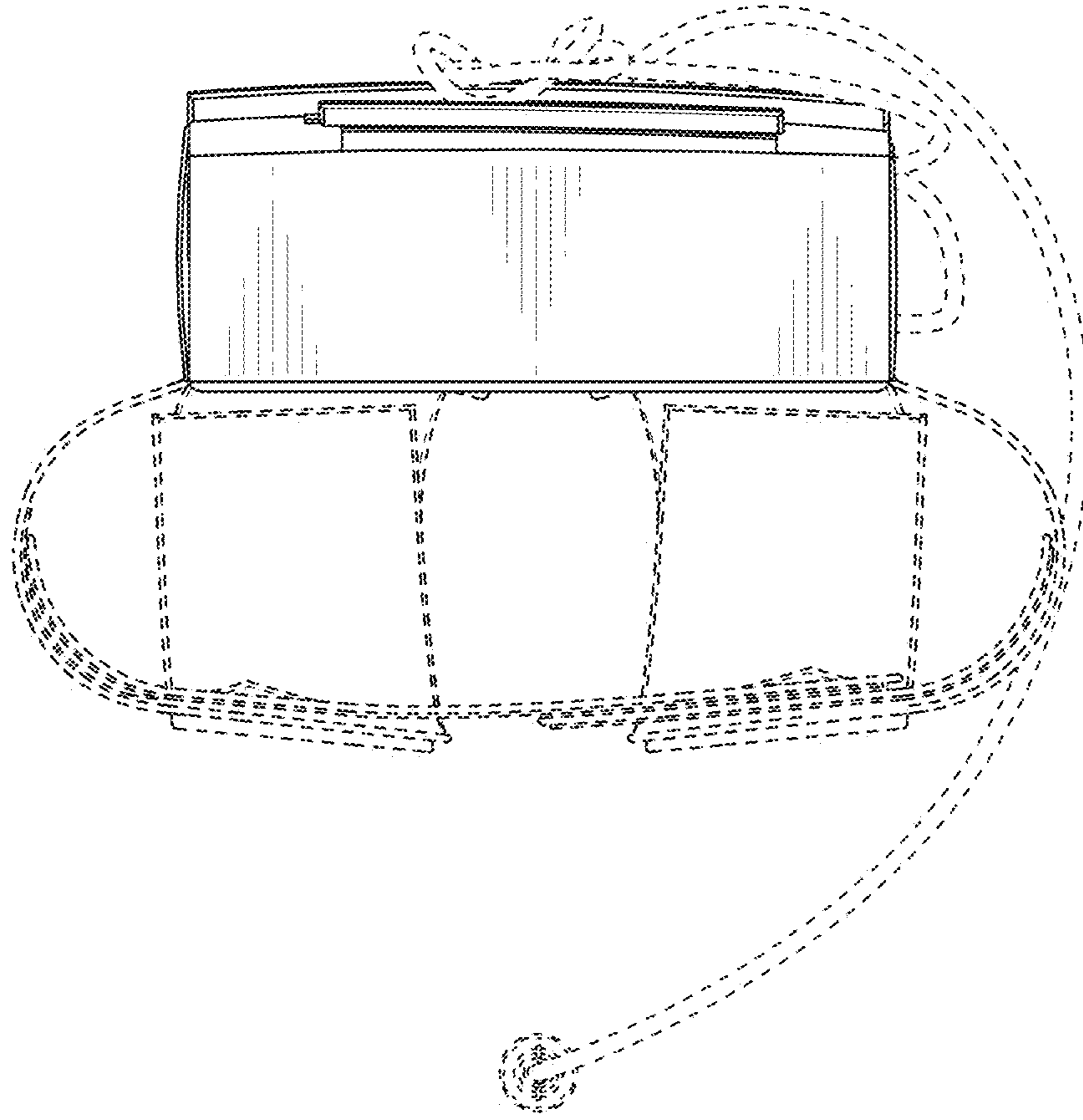


FIG. 9

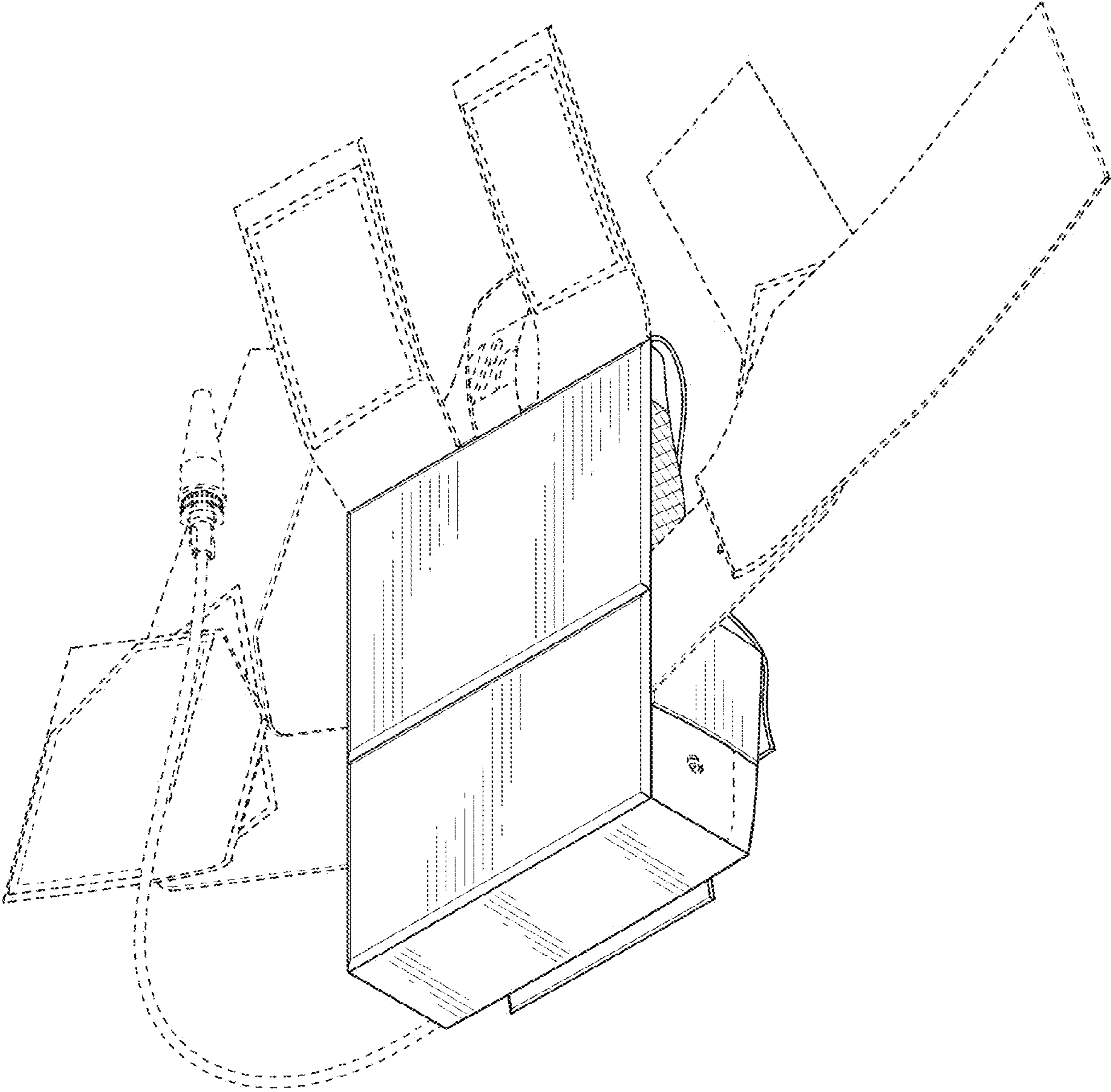


FIG. 10

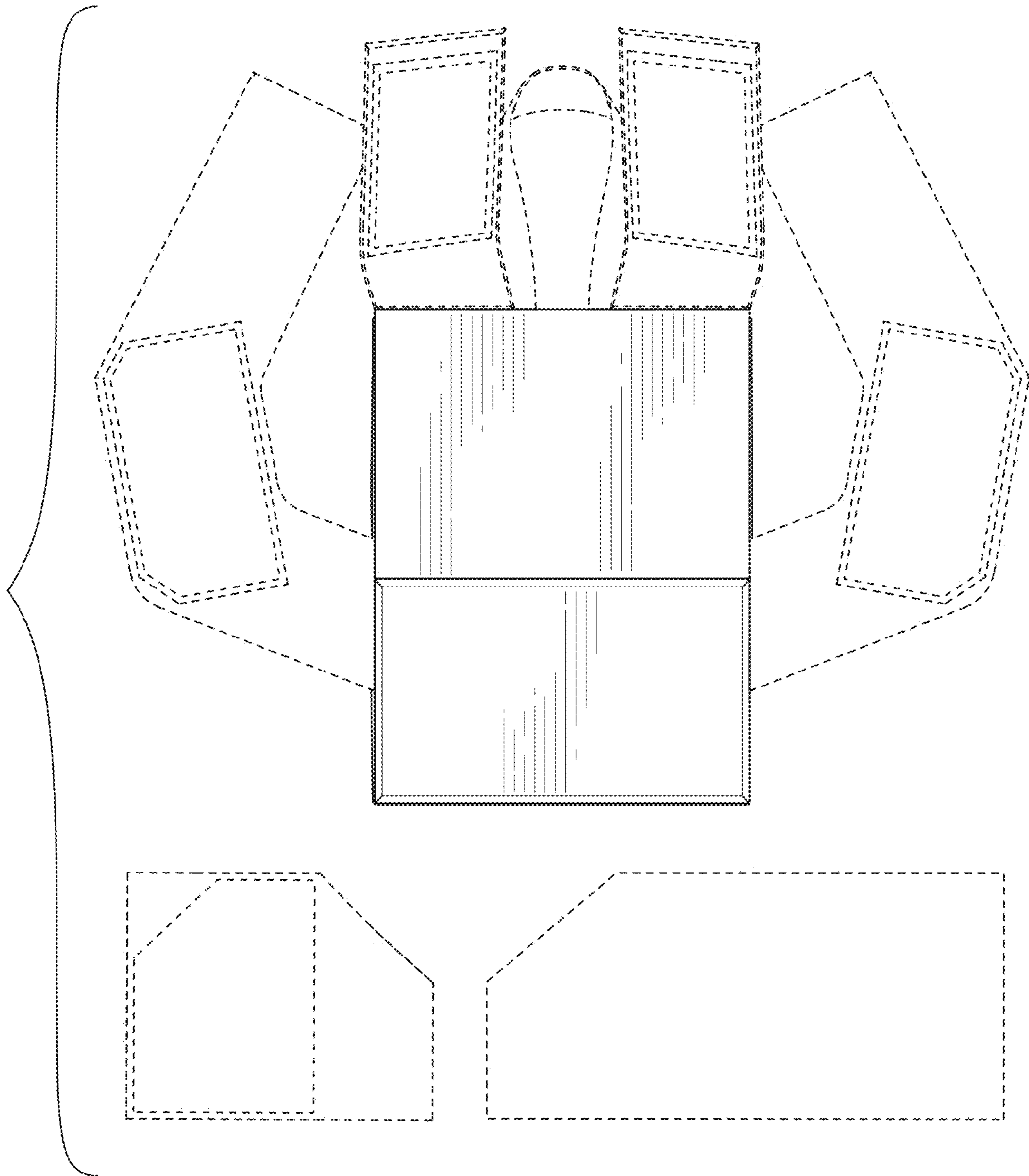


FIG. 11

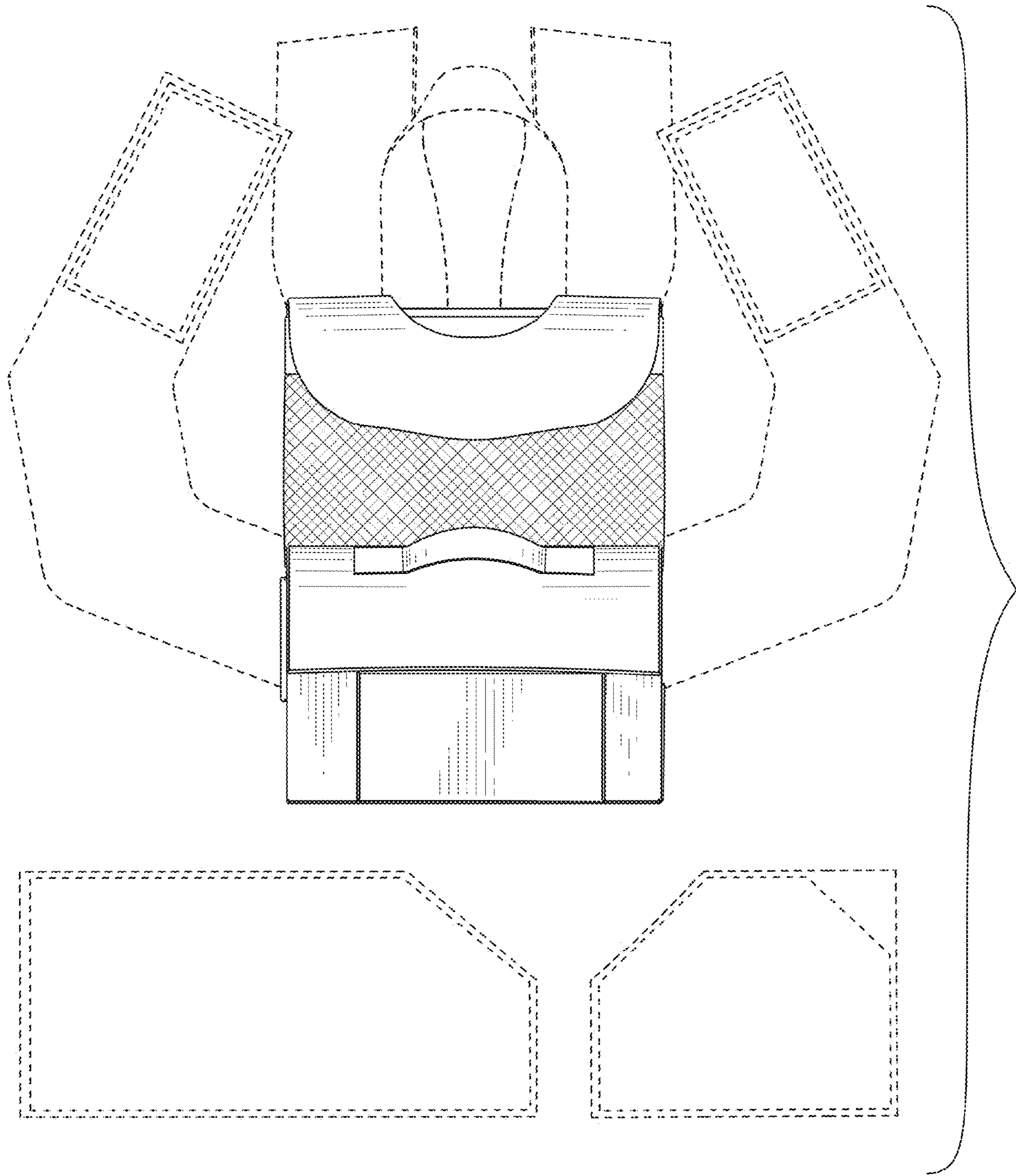


FIG. 12