



US00D929576S

(12) **United States Design Patent**  
**Motomura et al.**

(10) **Patent No.:** **US D929,576 S**

(45) **Date of Patent:** **\*\* Aug. 31, 2021**

(54) **CANNULA**

(71) Applicant: **Evaheart, Inc.**, Houston, TX (US)

(72) Inventors: **Tadashi Motomura**, Houston, TX (US); **Robert Benkowski**, Fort Worth, TX (US)

(73) Assignee: **Evaheart, Inc.**, Houston, TX (US)

(\*\*) Term: **15 Years**

(21) Appl. No.: **29/657,632**

(22) Filed: **Jul. 24, 2018**

(51) **LOC (13) Cl.** ..... **24-02**

(52) **U.S. Cl.**  
USPC ..... **D24/112**

(58) **Field of Classification Search**

USPC ..... D24/112-114, 108, 130, 127, 133, 186;  
606/181, 185; 604/264, 523-528, 272,  
604/164.01-164.11, 187, 93.01; 600/101,  
600/139, 143; 128/200.24, 207.14,  
128/207.15

CPC .. A61M 25/065; A61M 5/42; A61M 25/0612;  
A61M 25/00; A61M 39/00; A61M 27/00;  
A61M 25/0043; A61M 25/0067; A61M  
25/0097; A61F 2/958

See application file for complete search history.

(56) **References Cited**

**U.S. PATENT DOCUMENTS**

6,517,477 B1 \* 2/2003 Wendlandt ..... A61B 1/00156  
600/114  
D749,725 S \* 2/2016 Sauer ..... D24/133

D785,161 S \* 4/2017 Dravitzki ..... D24/110.4  
D810,280 S \* 2/2018 Tharp ..... D24/112  
D830,523 S \* 10/2018 Vranish ..... D23/262  
D830,524 S \* 10/2018 Vranish ..... D23/262  
D870,264 S \* 12/2019 Fedor ..... D24/108

\* cited by examiner

*Primary Examiner* — David G Muller

(74) *Attorney, Agent, or Firm* — Merchant & Gould P.C.

(57) **CLAIM**

The ornamental design for a cannula, as shown and described.

**DESCRIPTION**

FIG. 1 is a first perspective view of a first embodiment of the cannula.

FIG. 2 is a second perspective view of the first embodiment of the cannula.

FIG. 3 is a front view of the first embodiment of the cannula.

FIG. 4 is a rear view of the first embodiment of the cannula.

FIG. 5 is a first side view of the first embodiment of the cannula.

FIG. 6 is a second side view of the first embodiment of the cannula, illustrating a side opposite that shown in FIG. 5.

FIG. 7 is a top view of the first embodiment of the cannula; and,

FIG. 8 is a bottom view of the first embodiment of the cannula.

The broken line showing of parts of the drawings is included for the purpose of illustrating use and environment and forms no part of the claimed design.

**1 Claim, 8 Drawing Sheets**

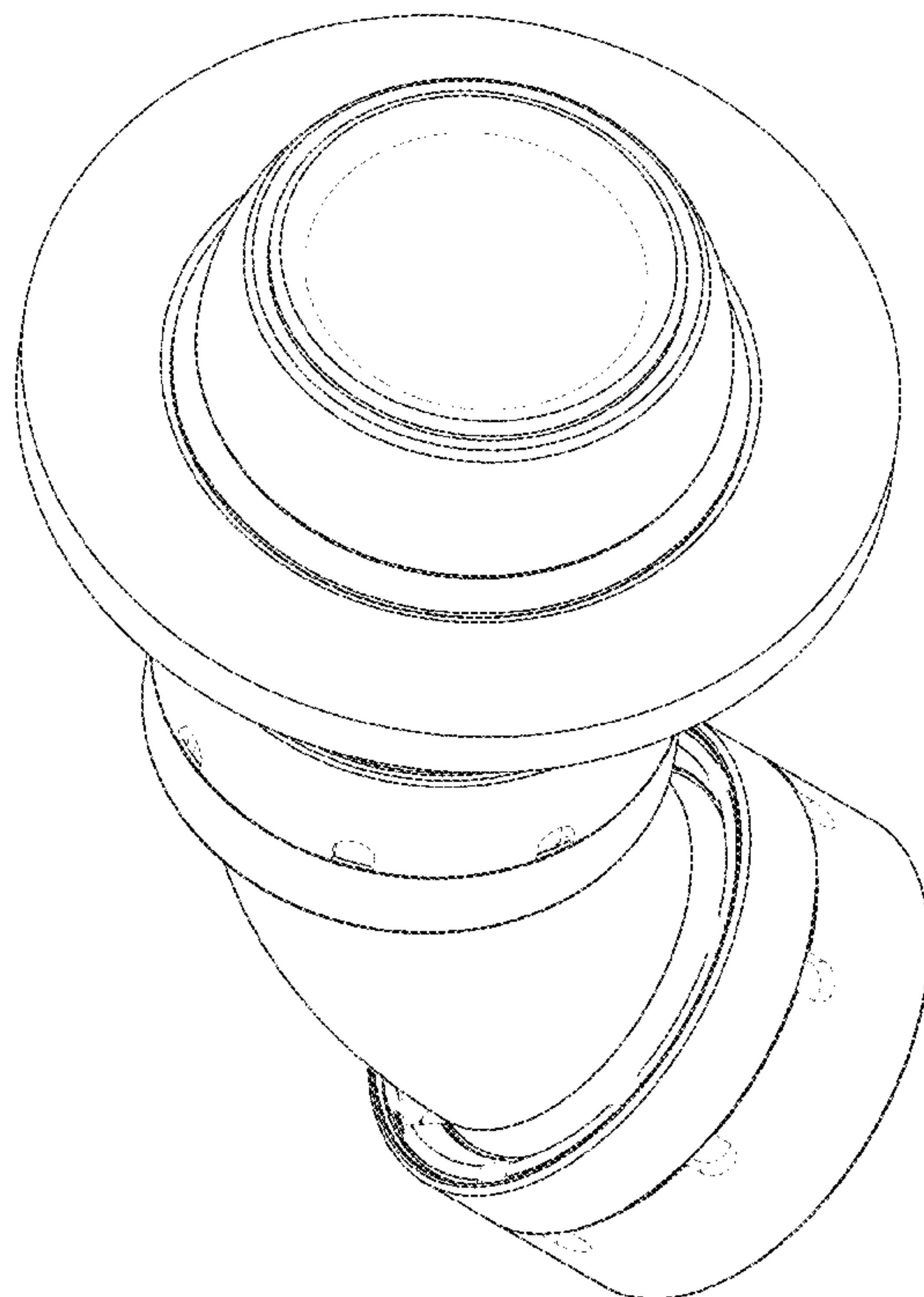


FIG. 1

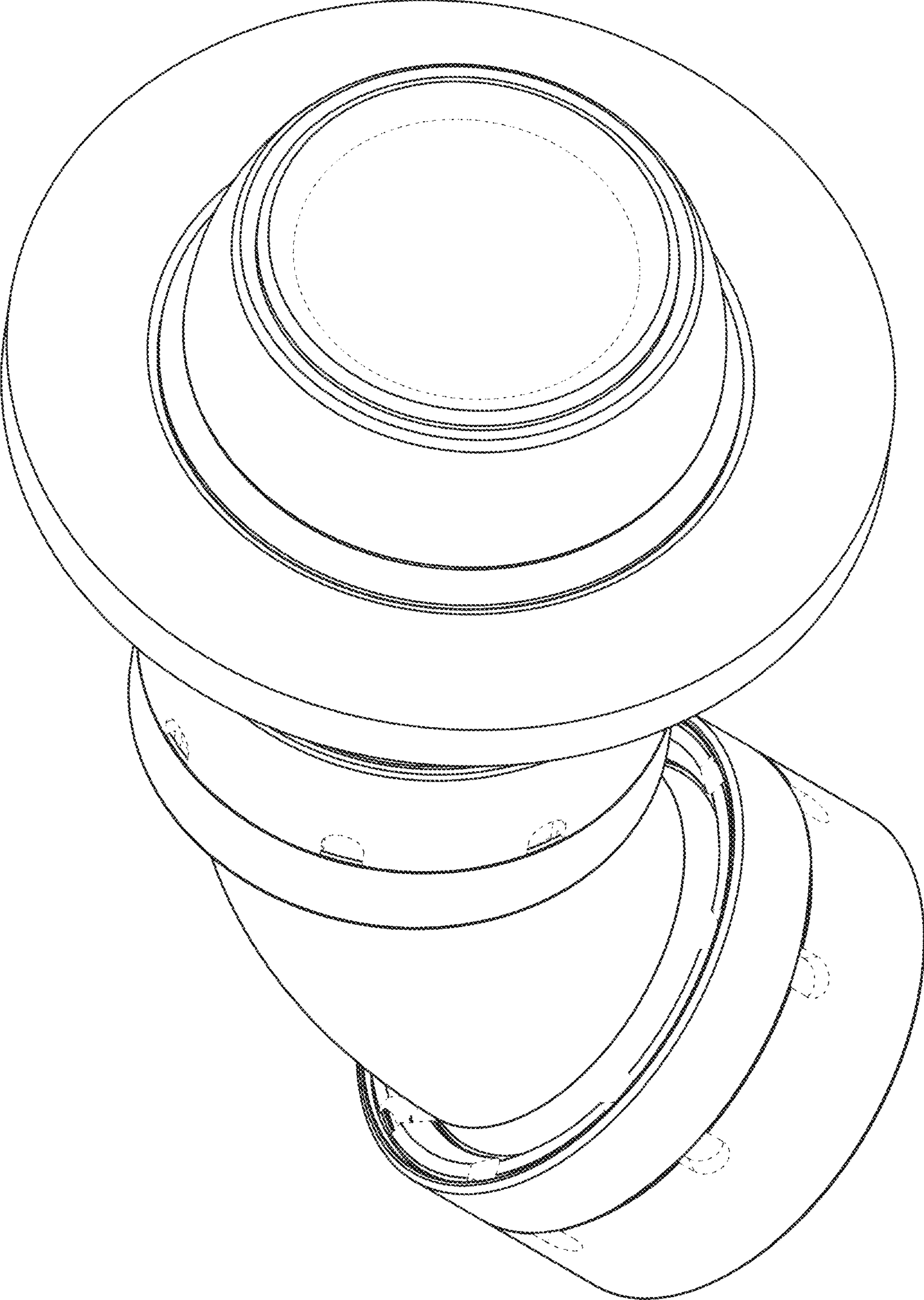


FIG. 2

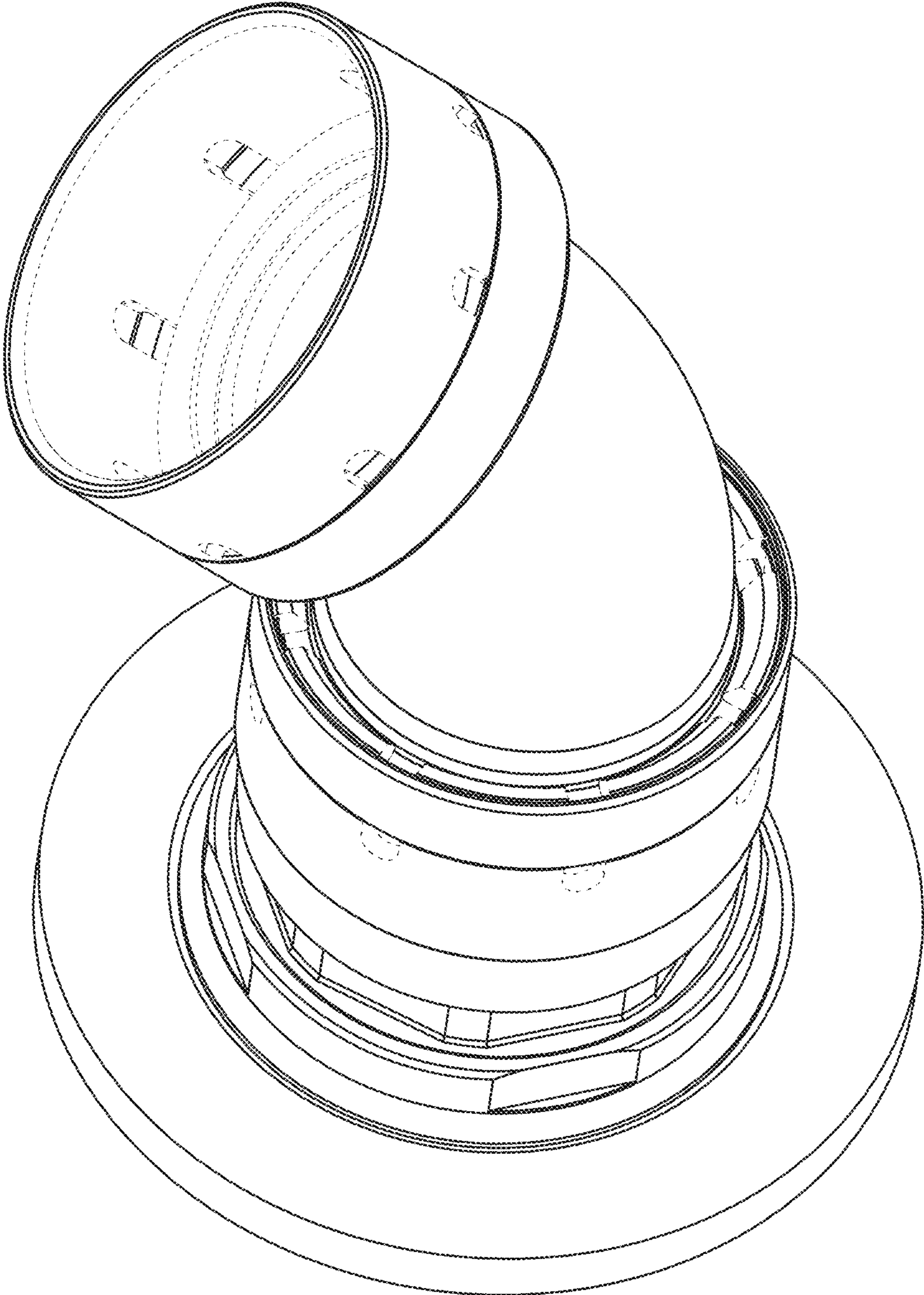




FIG. 3

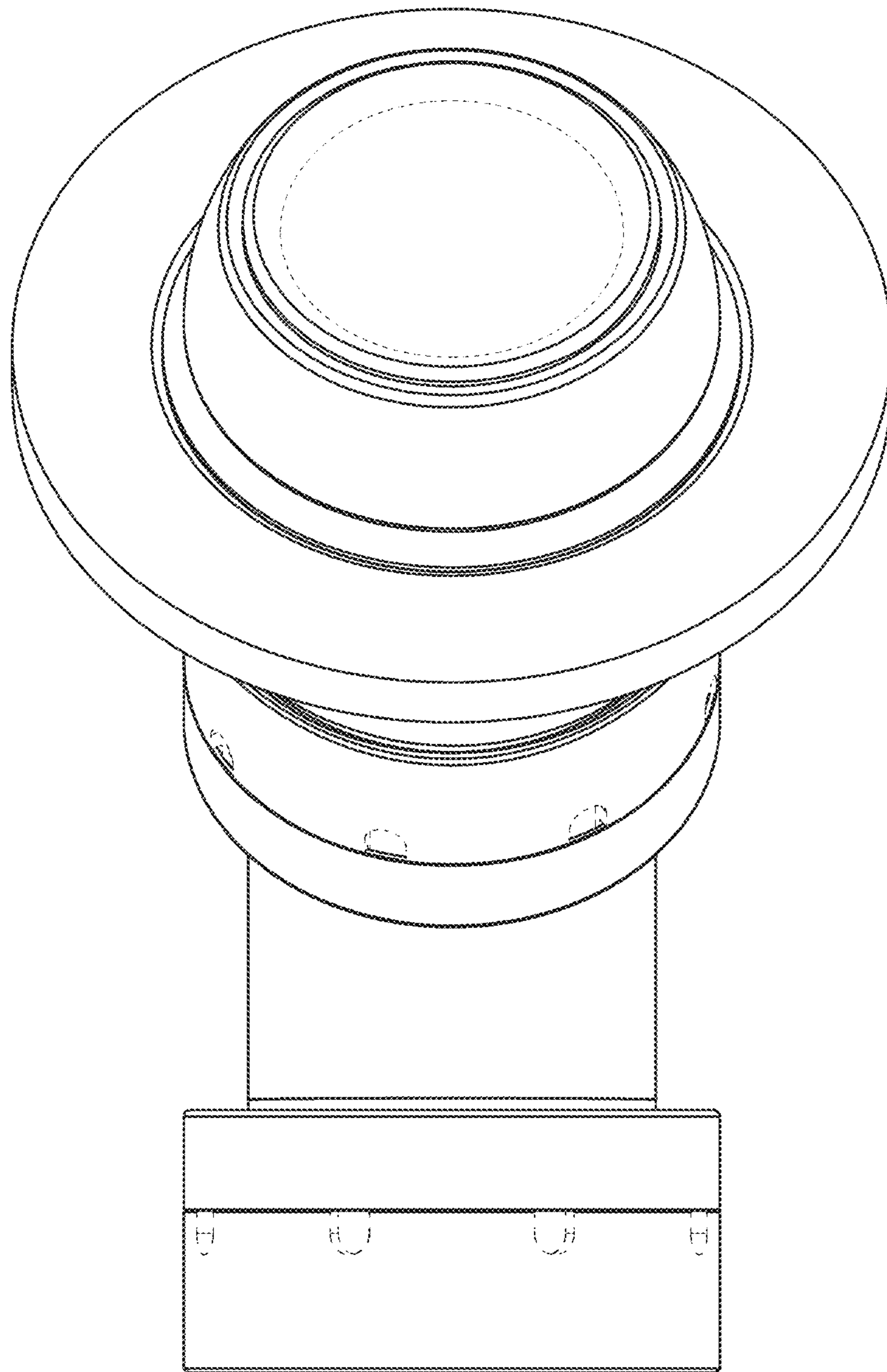


FIG. 4

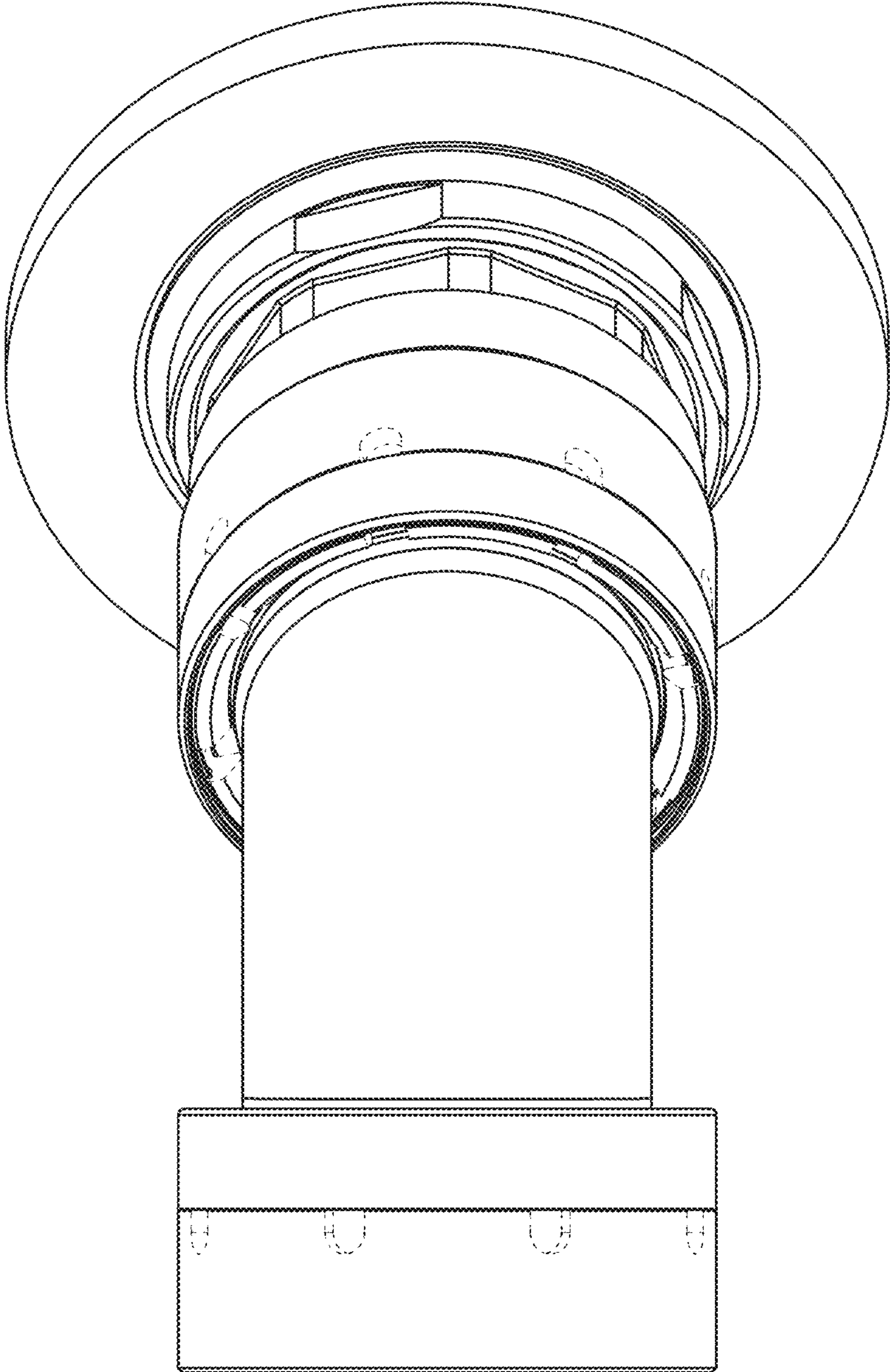


FIG. 5

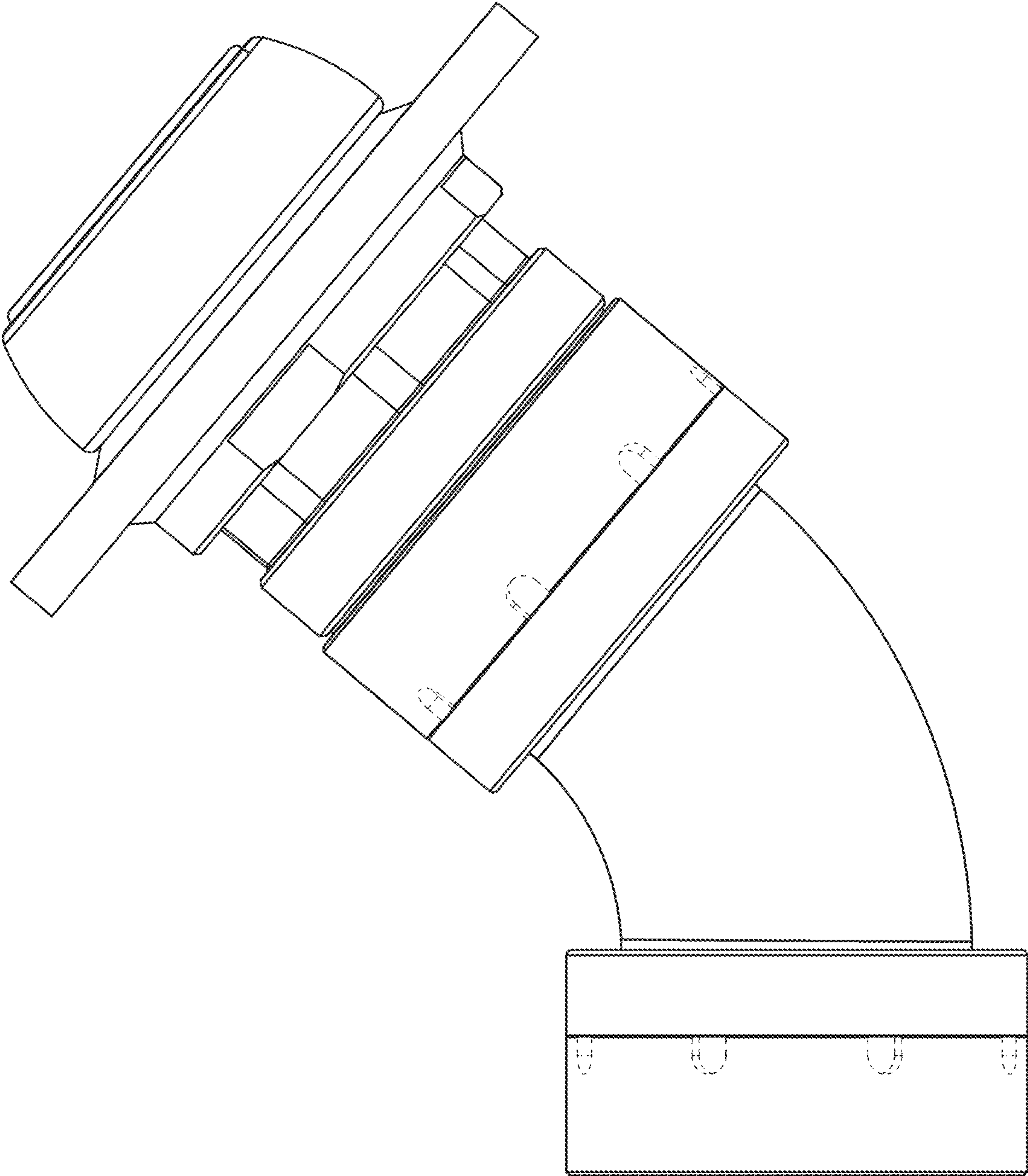
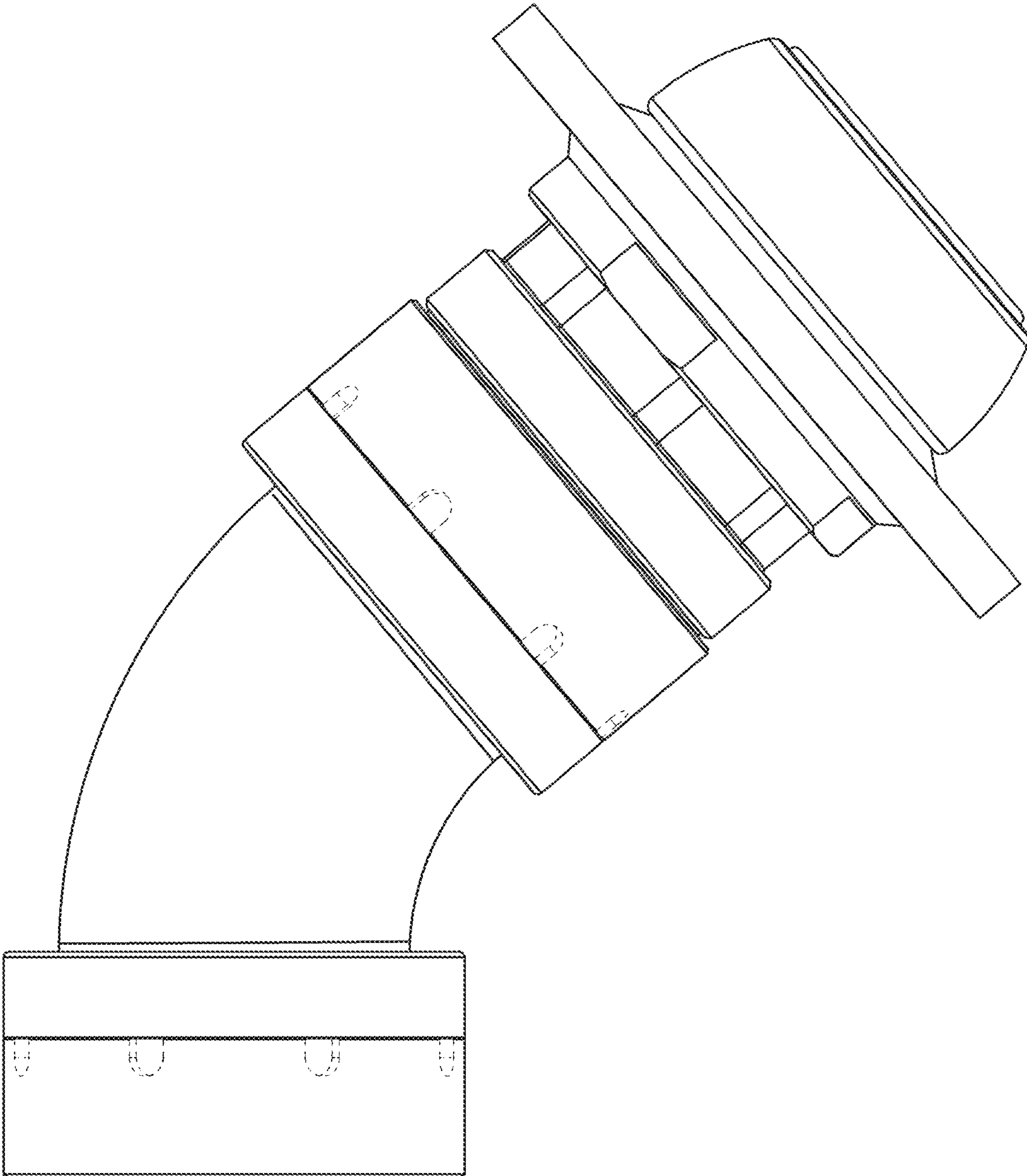


FIG. 6





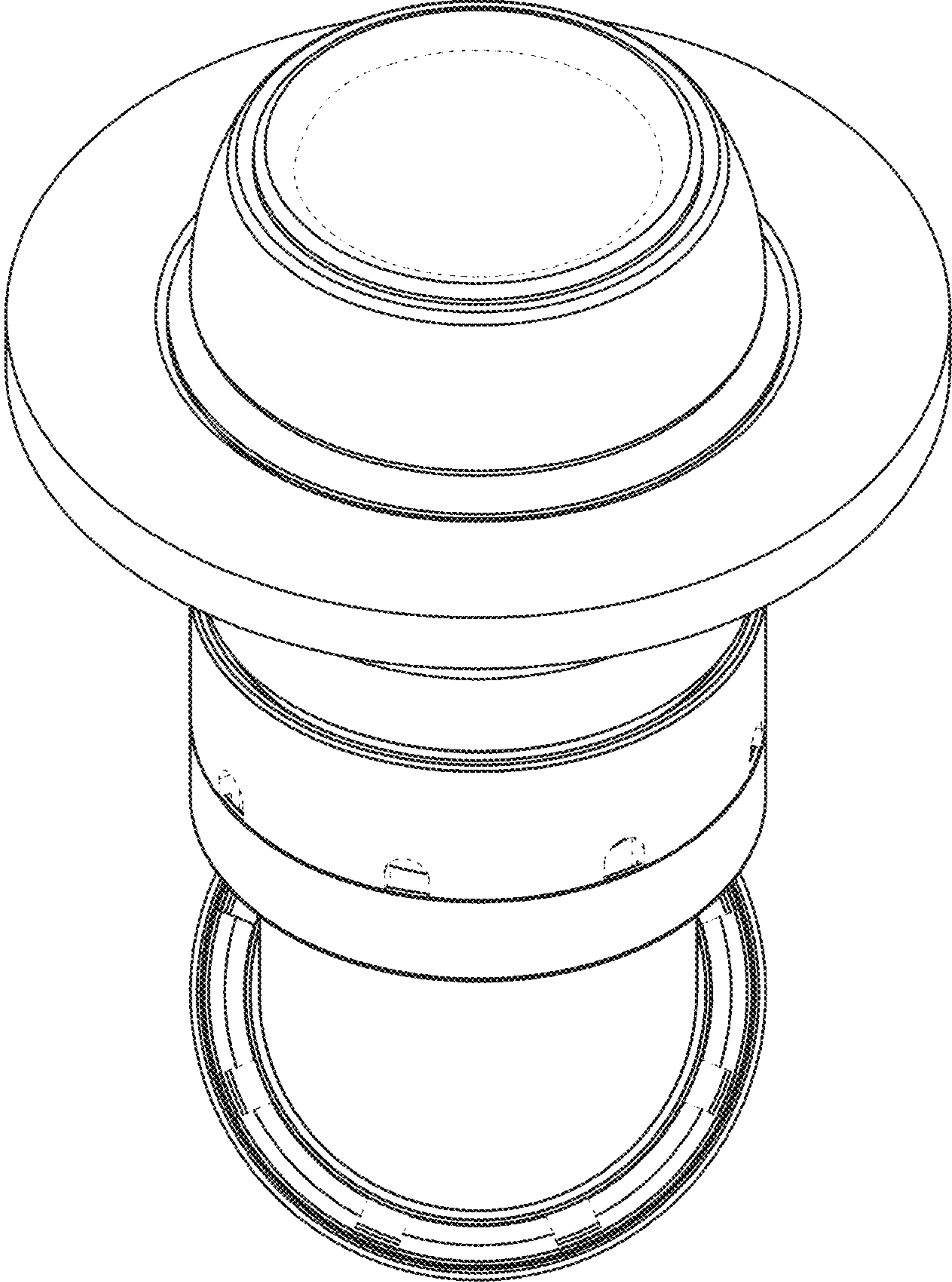


FIG. 7



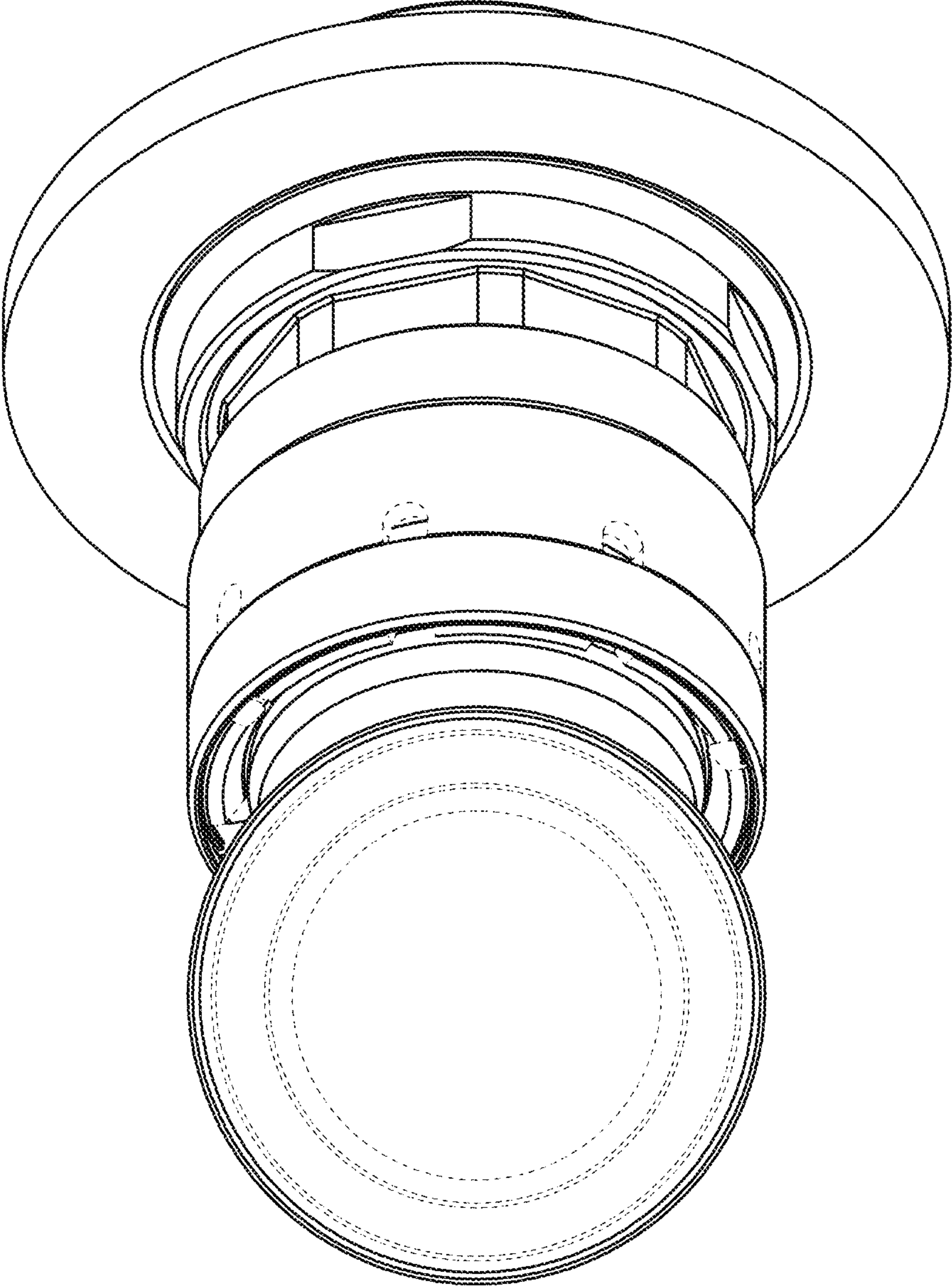


FIG. 8