



US00D929574S

(12) **United States Design Patent** (10) **Patent No.:** **US D929,574 S**  
**Zhou et al.** (45) **Date of Patent:** **\*\* Aug. 31, 2021**

- (54) **ORAL IRRIGATOR**
- (71) Applicant: **Colgate-Palmolive Company**, New York, NY (US)
- (72) Inventors: **Jiang Zhou**, Yangzhou (CN); **Yanmei Ji**, Yangzhou (CN); **Fan Gang Xie**, Shanghai (CN); **Bo Zhang**, Yangzhou (CN)
- (73) Assignee: **Colgate-Palmolive Company**, New York, NY (US)
- (\*\*) Term: **15 Years**
- (21) Appl. No.: **29/704,763**
- (22) Filed: **Sep. 6, 2019**
- (51) **LOC (13) Cl.** ..... **24-02**
- (52) **U.S. Cl.**  
USPC ..... **D24/111**
- (58) **Field of Classification Search**  
USPC ..... D24/108, 111-115, 117, 152, 176  
CPC ..... A61C 17/20; A61C 17/00; A61C 17/005; A61C 17/02; A61C 17/0202; A61C 17/0205; A61C 17/0211; A61C 17/36; A61C 17/028; A61C 17/22; A61C 17/222; A61C 17/225; A61C 17/28  
See application file for complete search history.

D822,196 S	7/2018	Kim	
D825,741 S	8/2018	Massie et al.	
10,130,452 B2	11/2018	Baragona et al.	
D865,160 S *	10/2019	Yan	D24/111
D865,944 S *	11/2019	Yan	D24/111
D909,568 S *	2/2021	Xia	D24/111
2018/0125221 A1	5/2018	Wronski et al.	
2018/0221124 A1	8/2018	Carlyle et al.	
2019/0105139 A1	4/2019	Zhou	

**FOREIGN PATENT DOCUMENTS**

CH	145187-0001	*	3/2020
CH	145187-0002	*	3/2020
CH	145187-0003	*	3/2020
CN	103040532 B		12/2015
CN	204995600 U		1/2016
CN	205359673 U		7/2016
CN	104582632 B		10/2016
CN	108553191 A		9/2018
CN	109223220 A		1/2019

(Continued)

*Primary Examiner* — Lilyana Bekic

(57) **CLAIM**

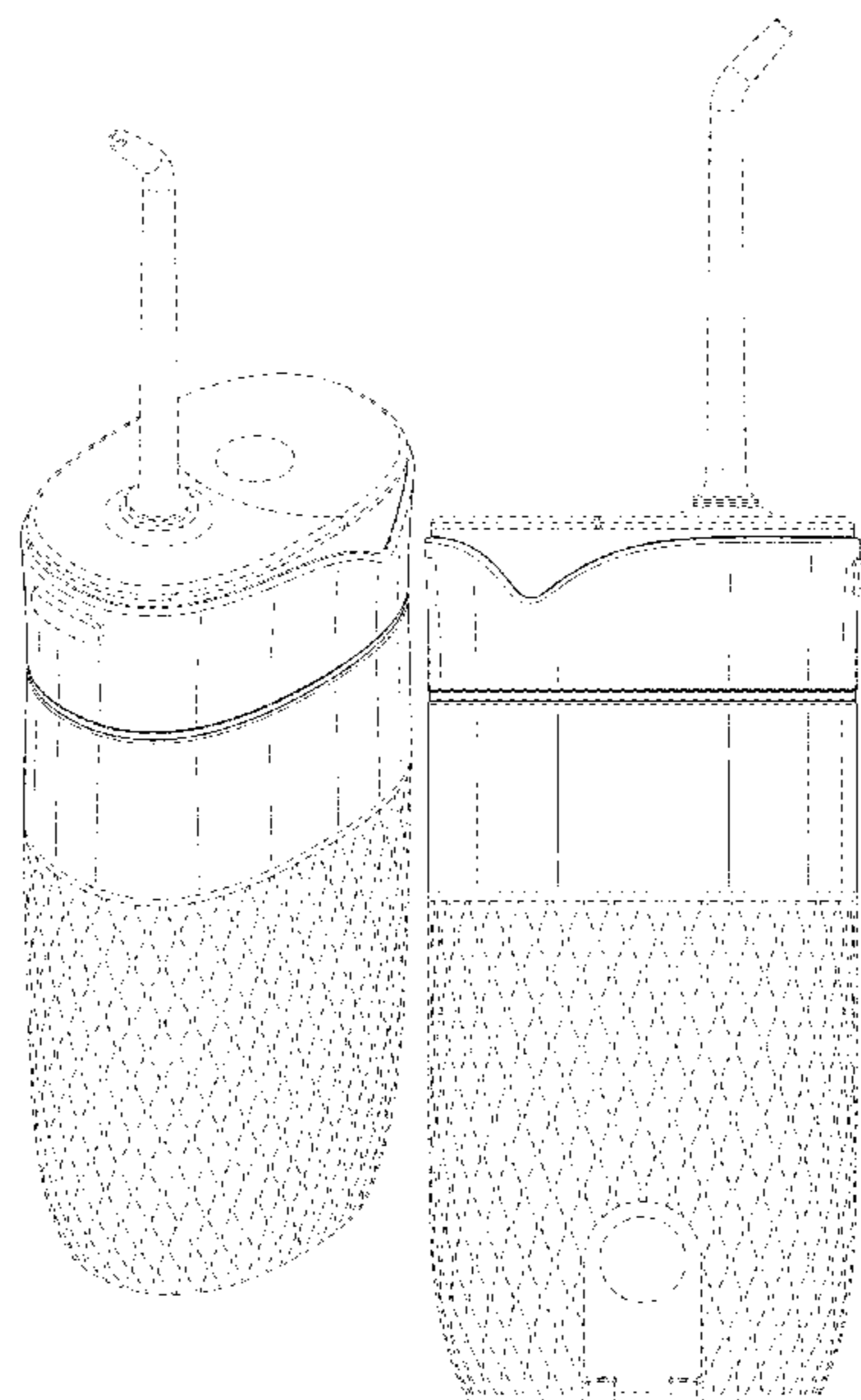
The ornamental design for an oral irrigator, as shown and described.

**DESCRIPTION**

FIG. 1 is a front perspective view of an oral irrigator according to the new design;  
 FIG. 2 is a rear perspective view thereof;  
 FIG. 3 is a front view thereof;  
 FIG. 4 is a rear view thereof;  
 FIG. 5 is a right side view thereof;  
 FIG. 6 is a left side view thereof;  
 FIG. 7 is a top view thereof; and,  
 FIG. 8 is a bottom view thereof.  
 The broken lines in the drawings illustrate portions of the oral irrigator that form no part of the claimed design.

**1 Claim, 7 Drawing Sheets**

- (56) **References Cited**  
U.S. PATENT DOCUMENTS
- |              |         |                |         |
|--------------|---------|----------------|---------|
| D322,314 S * | 12/1991 | Ohbayashi      | D24/113 |
| D373,631 S * | 9/1996  | Maeda          | D24/111 |
| D413,975 S * | 9/1999  | Maeda          | D24/111 |
| D548,334 S   | 8/2007  | Izumi          |         |
| D625,406 S   | 10/2010 | Seki et al.    |         |
| 8,753,117 B2 | 6/2014  | Edwards et al. |         |
| 9,642,677 B2 | 5/2017  | Luetgen et al. |         |
| D812,219 S * | 3/2018  | Wang           | D24/111 |



(56)

**References Cited**

FOREIGN PATENT DOCUMENTS

CN	305067887	S	3/2019
CN	208942449	U	6/2019
CN	305313625	*	8/2019
CN	305692455	*	4/2020
CN	305795989	*	5/2020
CN	305845555	*	6/2020
CN	305924052	*	7/2020
CN	305991803	*	8/2020
EM	006575791-0001	*	6/2019
EM	007506506-0001	*	1/2020
EM	007506506-0002	*	1/2020
EM	007506506-0003	*	1/2020
JP	D1576135		5/2017
KR	3005795870000		11/2010
KR	3010072790000		5/2019
TW	585737		4/2004
WO	WO 2018065747	A1	4/2018

\* cited by examiner

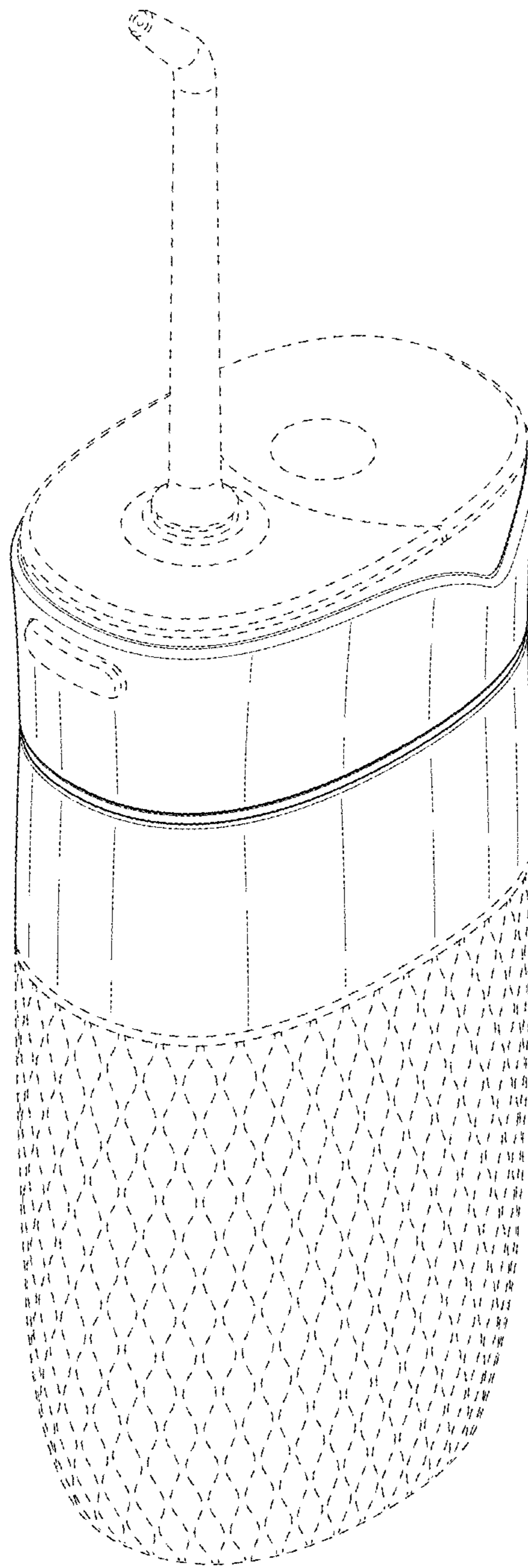


FIG. 1

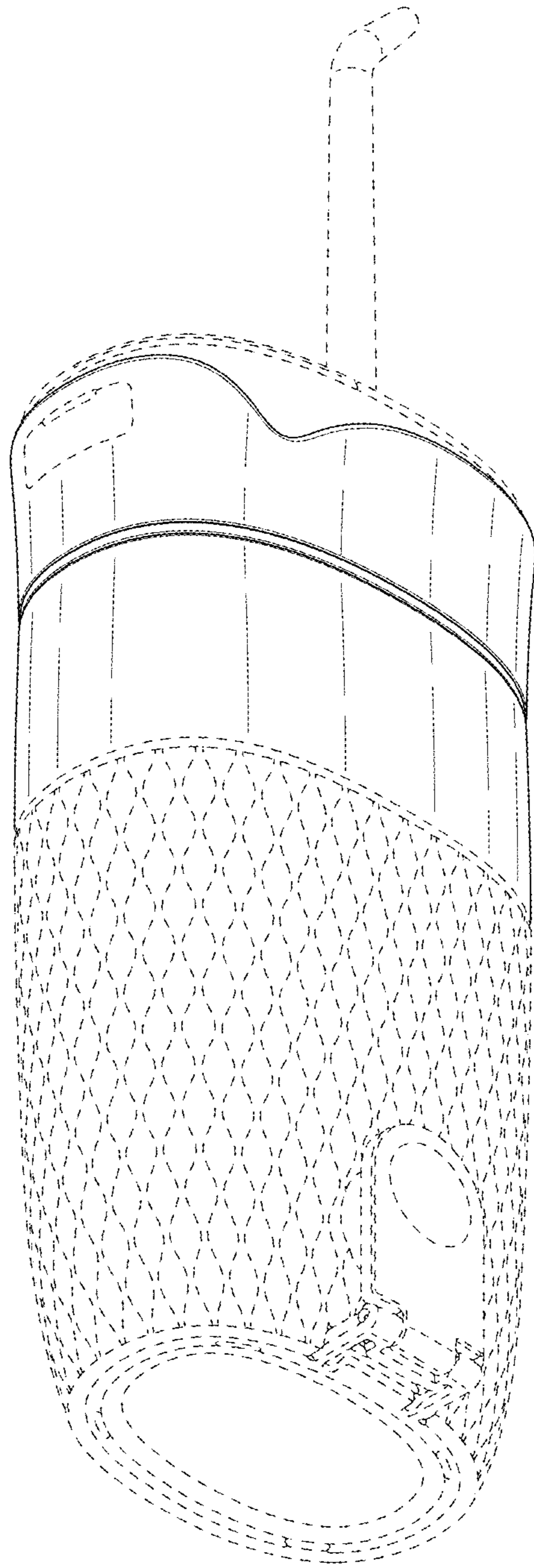


FIG. 2

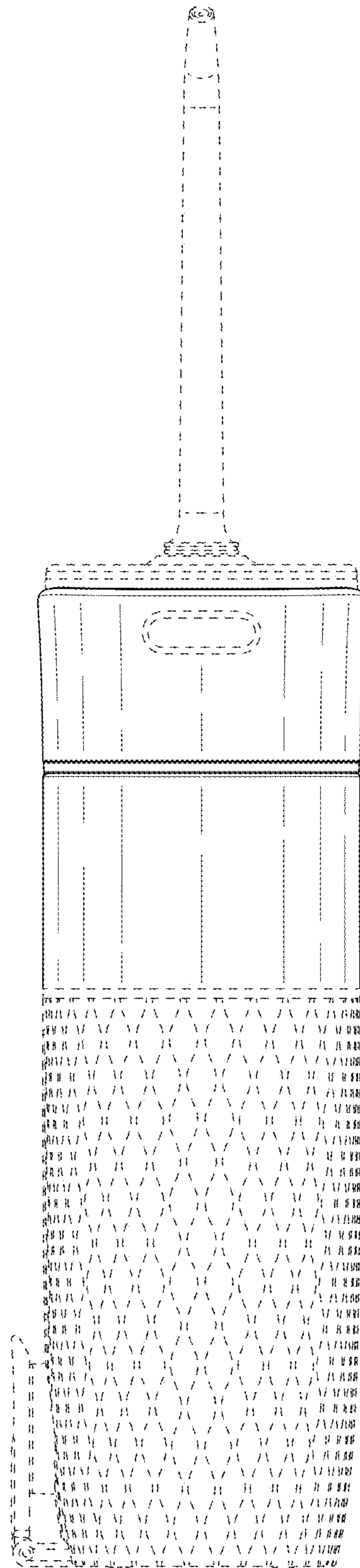


FIG. 3

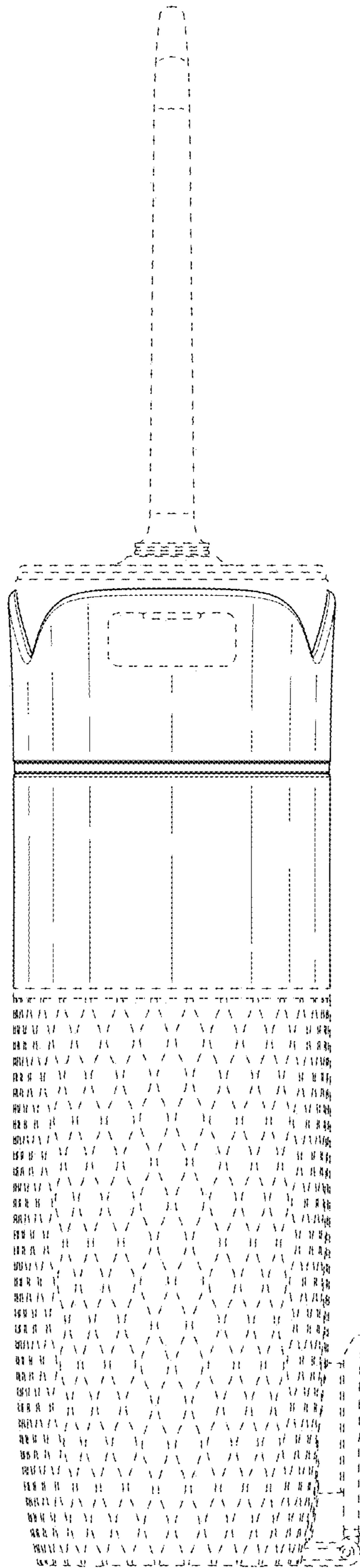


FIG. 4

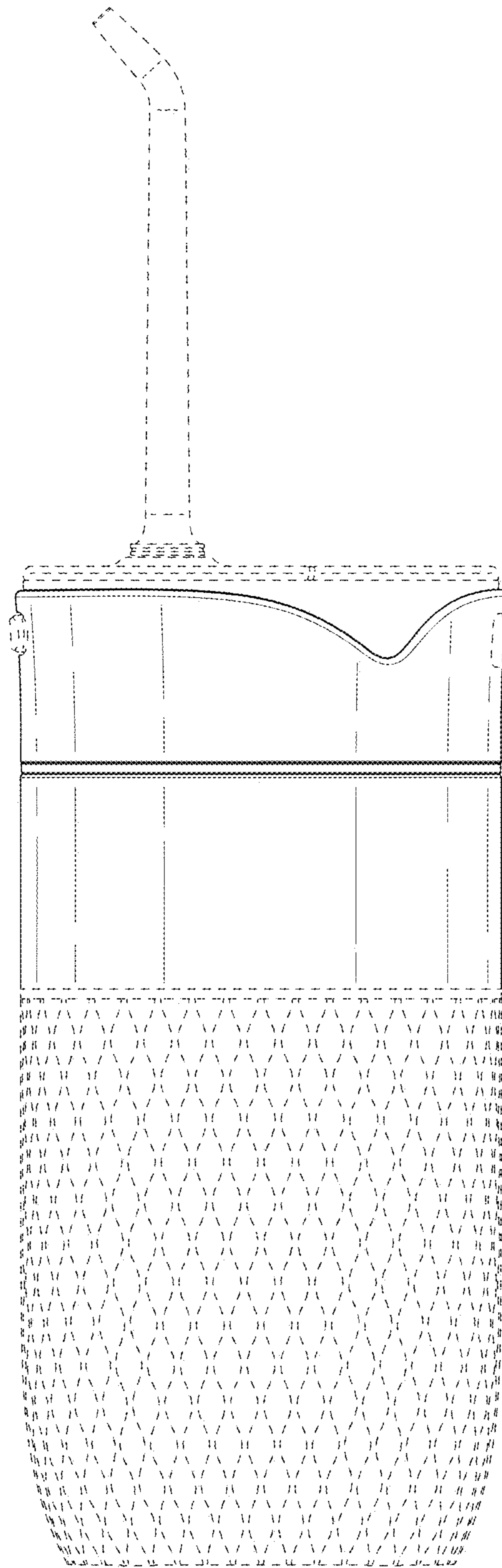


FIG. 5

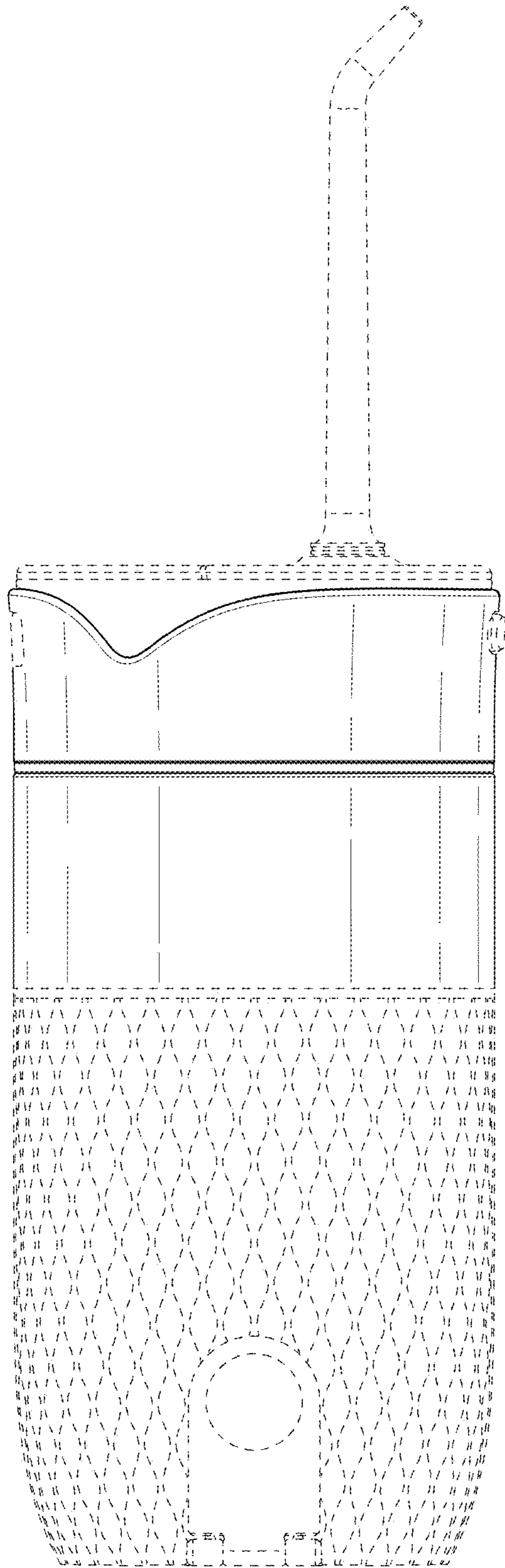


FIG. 6



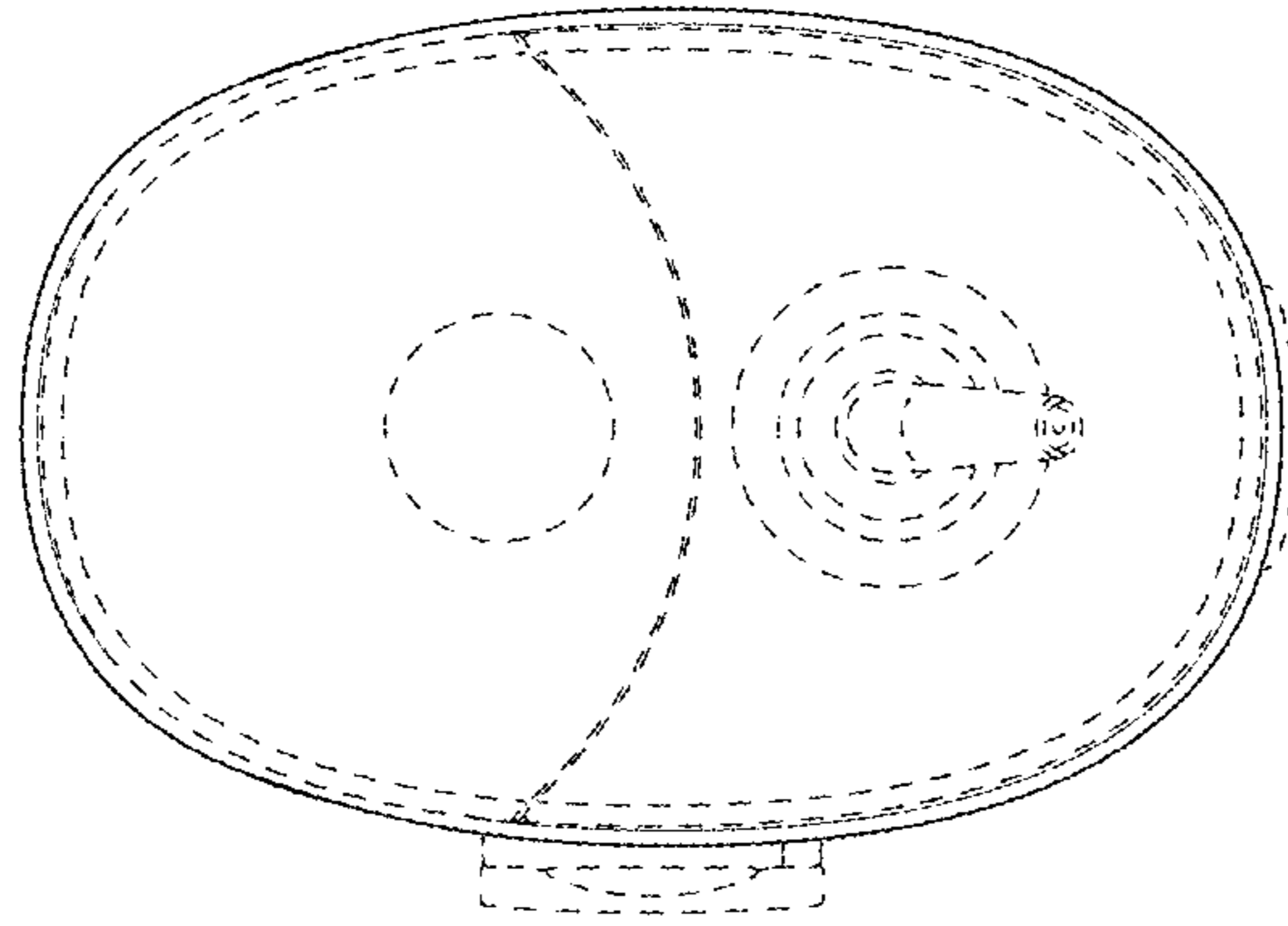


FIG. 7

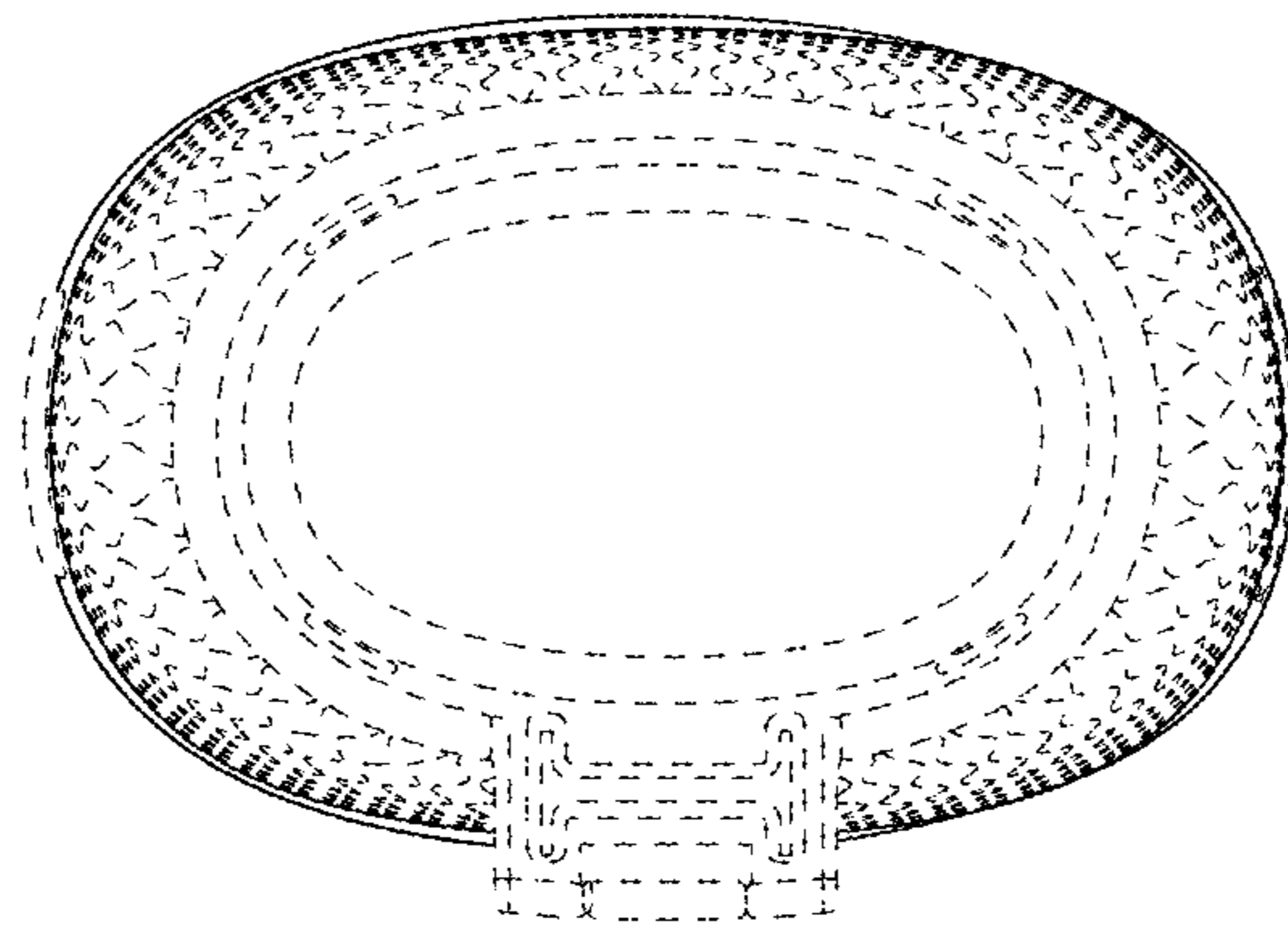


FIG. 8