



US00D929571S

(12) **United States Design Patent** (10) **Patent No.:** **US D929,571 S**
Dantanarayana et al. (45) **Date of Patent:** **** Aug. 31, 2021**

(54) **COMBINED HEAT AND MOISTURE EXCHANGER FOR RESPIRATORY MASK**

(71) Applicant: **ResMed Pty Ltd**, Bella Vista (AU)

(72) Inventors: **Muditha Pradeep Dantanarayana**, Sydney (AU); **Charles Harry Finch**, Sydney (AU); **Chia Ik Tan**, Sydney (AU); **Stewart Joseph Wagner**, Hawkesbury (AU)

(73) Assignee: **ResMed Pty Ltd**, Bella Vista (AU)

(**) Term: **15 Years**

(21) Appl. No.: **29/721,597**

(22) Filed: **Jan. 22, 2020**

Related U.S. Application Data

(62) Division of application No. 29/666,287, filed on Oct. 11, 2018, now Pat. No. Des. 875,243, which is a division of application No. 29/585,937, filed on Nov. 30, 2016, now Pat. No. Des. 863,545.

(51) **LOC (13) Cl.** **29-02**

(52) **U.S. Cl.**
USPC **D24/110.4**

(58) **Field of Classification Search**
USPC D24/110-110.6, 127, 129; D29/110
CPC A61M 16/0616; A61M 16/0633; A61M 16/06; A61M 16/0666; A61M 16/0683; A61M 16/0605; A61M 16/0622; A61M 16/0644; A61M 16/0875; A61M 16/0816; A61M 16/08; B63C 11/205; B63C 11/16; B63C 11/186; B63C 11/12

See application file for complete search history.

(56) **References Cited**

U.S. PATENT DOCUMENTS

D600,343 S 9/2009 Degabriele
D612,481 S 3/2010 Reid
D637,283 S 5/2011 Selvarajan
D645,961 S 9/2011 Biener

(Continued)

OTHER PUBLICATIONS

Dantanarayana et al., U.S. Appl. No. 29/666,287, filed Oct. 11, 2018 for "Air Delivery Adapter for Respiratory Mask and/or Components Thereof," (parent application).

Primary Examiner — Aula Soroush

(74) *Attorney, Agent, or Firm* — Nixon & Vanderhye P.C.

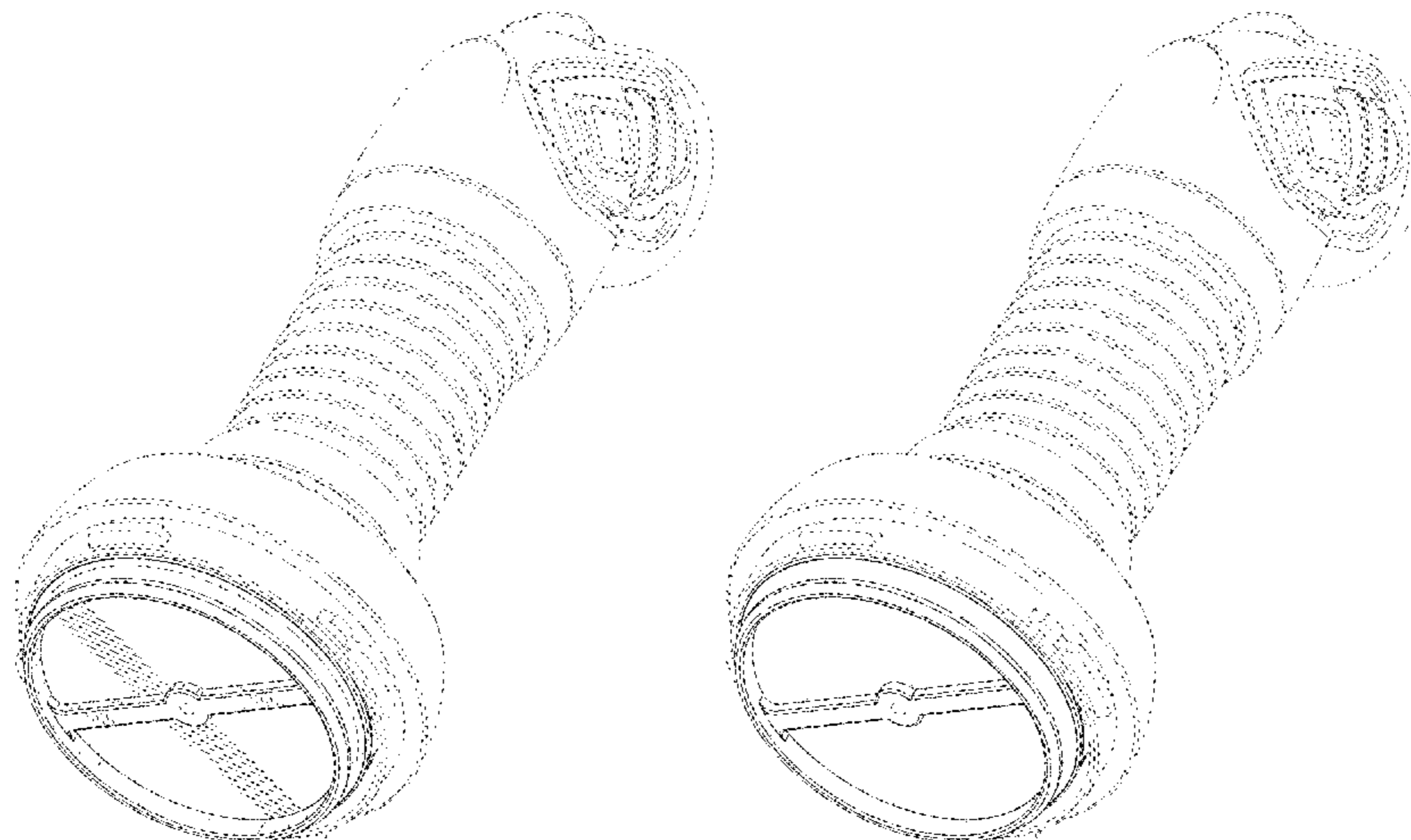
(57) **CLAIM**

The ornamental design for a combined heat and moisture exchanger for respiratory mask, as shown and described.

DESCRIPTION

FIG. 1 is a front perspective view of a combined heat and moisture exchanger for respiratory mask showing a first embodiment of our new design;
FIG. 2 is a front elevation view thereof;
FIG. 3 is a rear elevation view thereof;
FIG. 4 is a top plan view thereof;
FIG. 5 is a bottom plan view thereof;
FIG. 6 is a left side elevation view thereof;
FIG. 7 is a right side elevation view thereof;
FIG. 8 is a right side view thereof;
FIG. 9 is a front perspective view of a combined heat and moisture exchanger for respiratory mask showing a second embodiment of our new design;
FIG. 10 is a front elevation view thereof;
FIG. 11 is a rear elevation view thereof;
FIG. 12 is a top plan view thereof;
FIG. 13 is a bottom plan view thereof;
FIG. 14 is a left side elevation view thereof;
FIG. 15 is a right side elevation view thereof; and,
FIG. 16 is a right side view thereof.
The broken lines represent environmental structure and do not form part of the claimed design.

1 Claim, 10 Drawing Sheets



(56)

References Cited

U.S. PATENT DOCUMENTS

D652,913	S	1/2012	Selvarajan	
8,397,727	B2	3/2013	Ng	
D681,191	S	4/2013	Shick	
D689,602	S	9/2013	Amirav	
D691,713	S	10/2013	Fahy	
D692,121	S	10/2013	Fahy	
8,573,201	B2 *	11/2013	Rummery	A62B 9/04 128/202.27
D714,434	S	9/2014	Fahy	
D785,161	S	4/2017	Dravitzki	
D790,054	S	6/2017	Prentice	
9,821,134	B2	11/2017	Drew	
D808,008	S	1/2018	Burnham	
D865,158	S *	10/2019	Khera	D24/110.4
2002/0023650	A1	2/2002	Gunaratnam	
2003/0196662	A1	10/2003	Ging	
2004/0221850	A1	11/2004	Ging	
2007/0181130	A1 *	8/2007	Worley	A61M 16/0465 128/207.14
2010/0116272	A1 *	5/2010	Row	A61N 16/0875 128/204.17
2012/0227738	A1 *	9/2012	Virr	A61M 16/0051 128/204.21
2013/0324788	A1	12/2013	Holley	
2016/0051784	A1 *	2/2016	Eury	A61B 16/0666 128/207.18
2016/0151596	A1 *	6/2016	Slight	A61M 16/0622 128/207.18
2016/0213878	A1 *	7/2016	Browning, Jr. ...	A61M 16/0683
2017/0100556	A1 *	4/2017	Munkelt	A61M 16/0816
2018/0001047	A1	1/2018	McAuley	

* cited by examiner

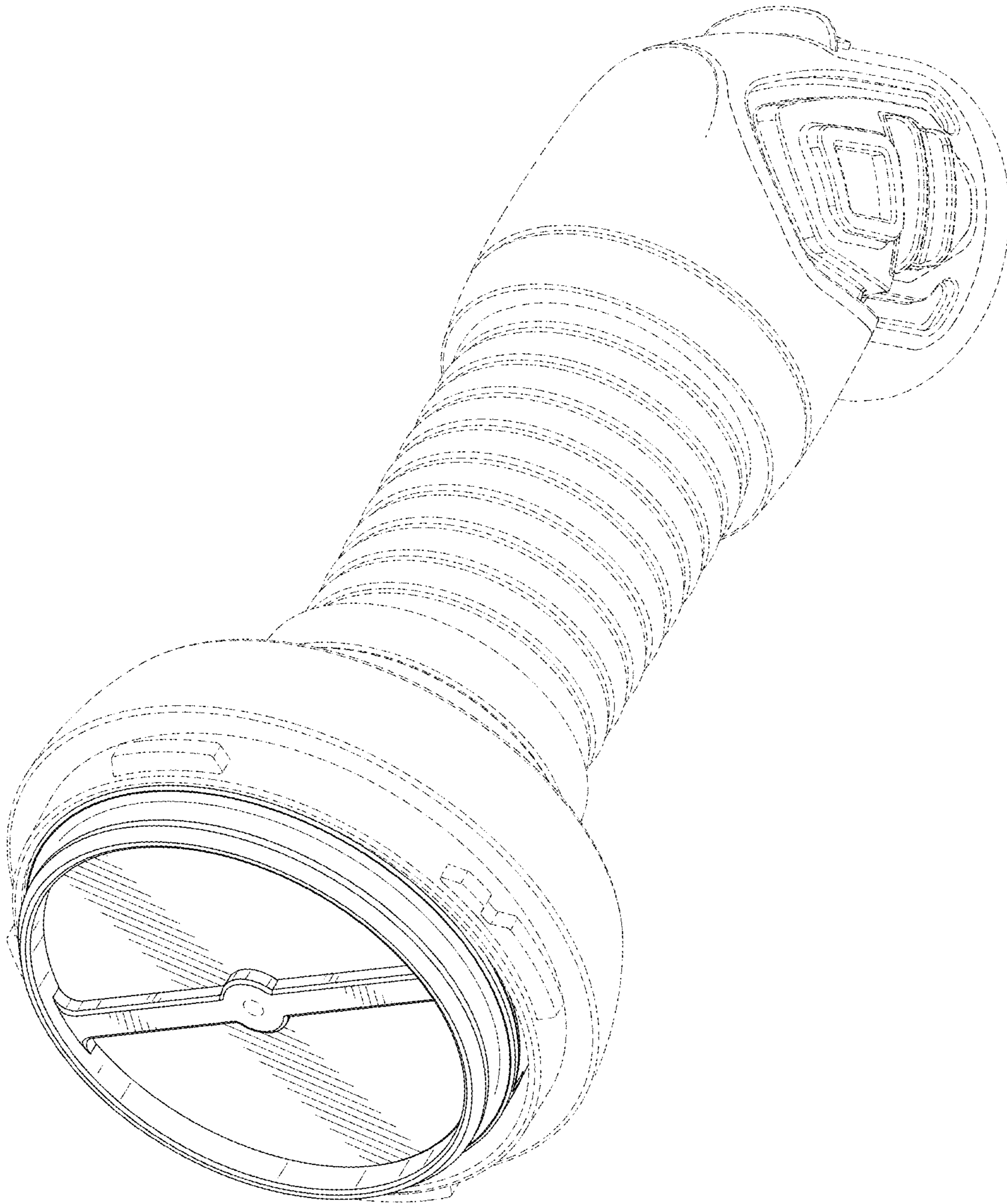


FIG. 1

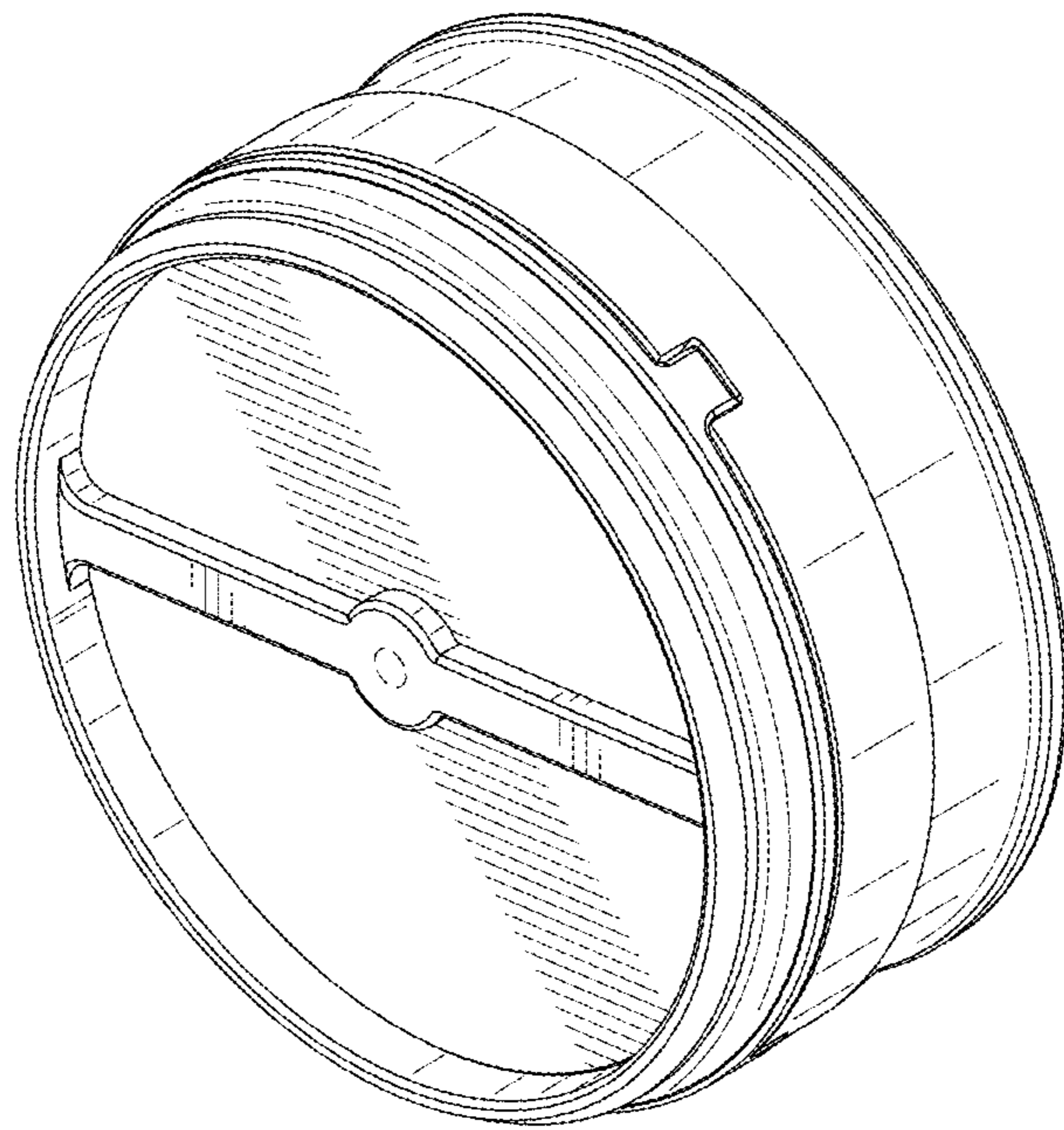


FIG. 2

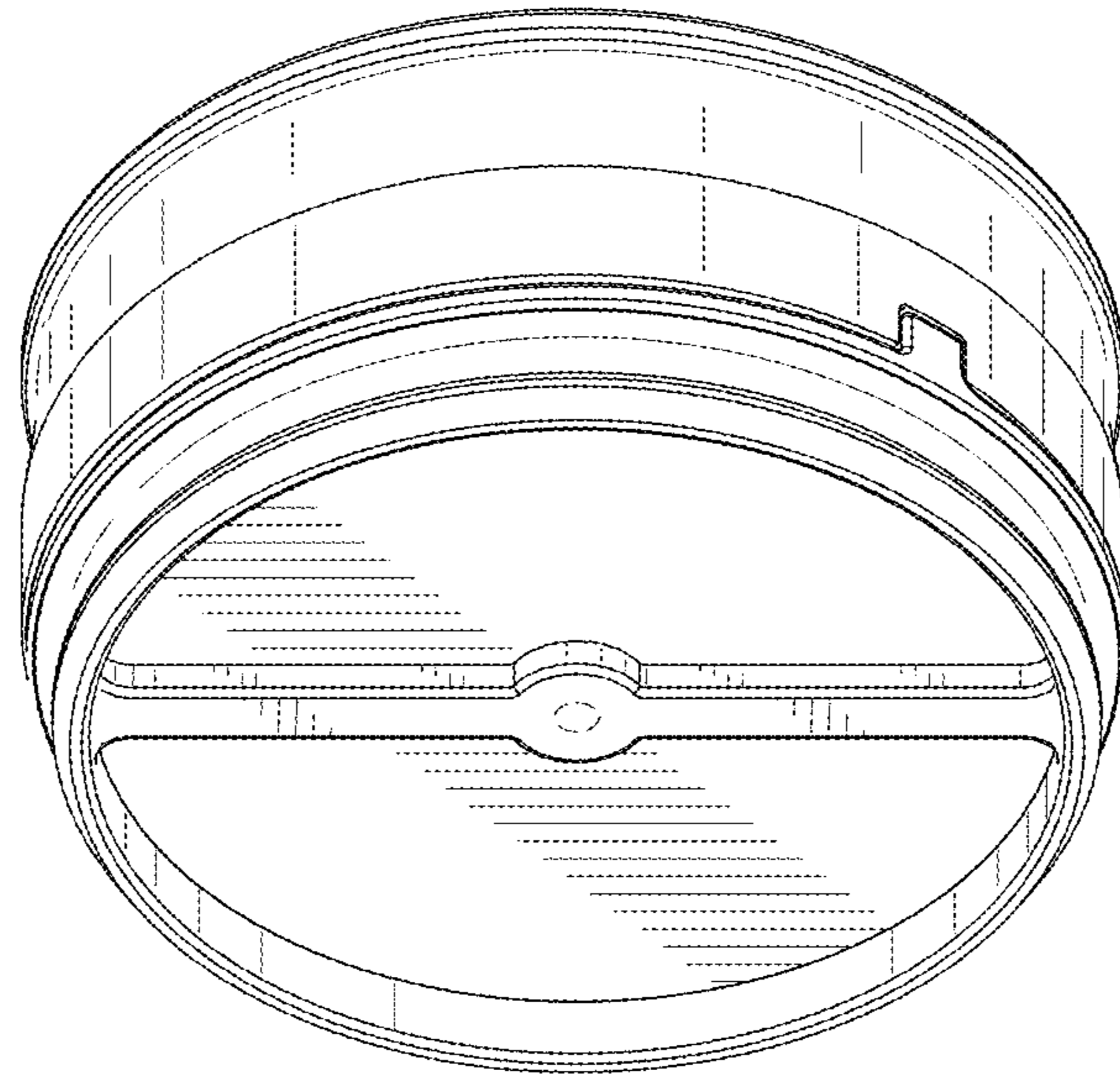


FIG. 3

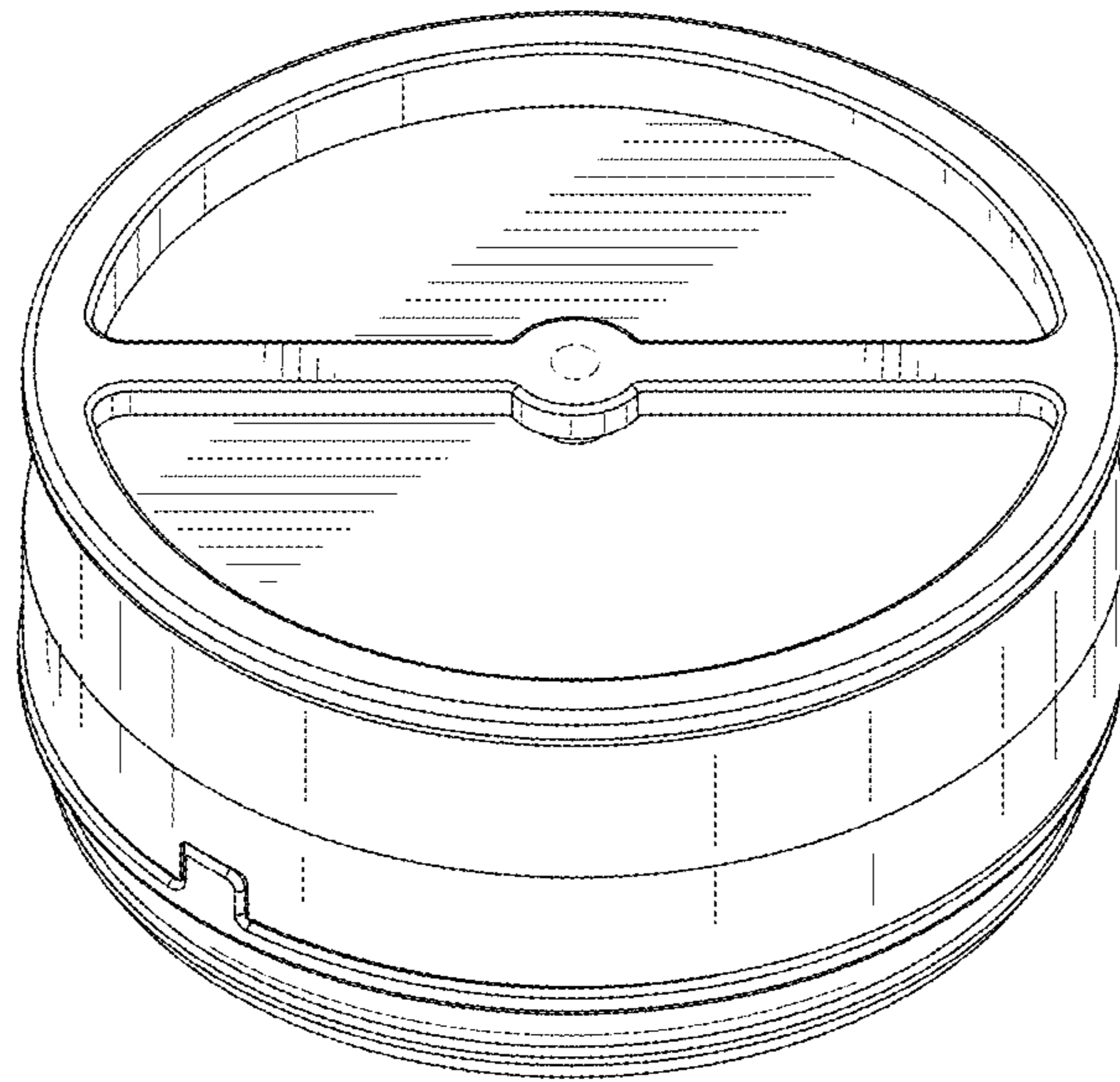


FIG. 4

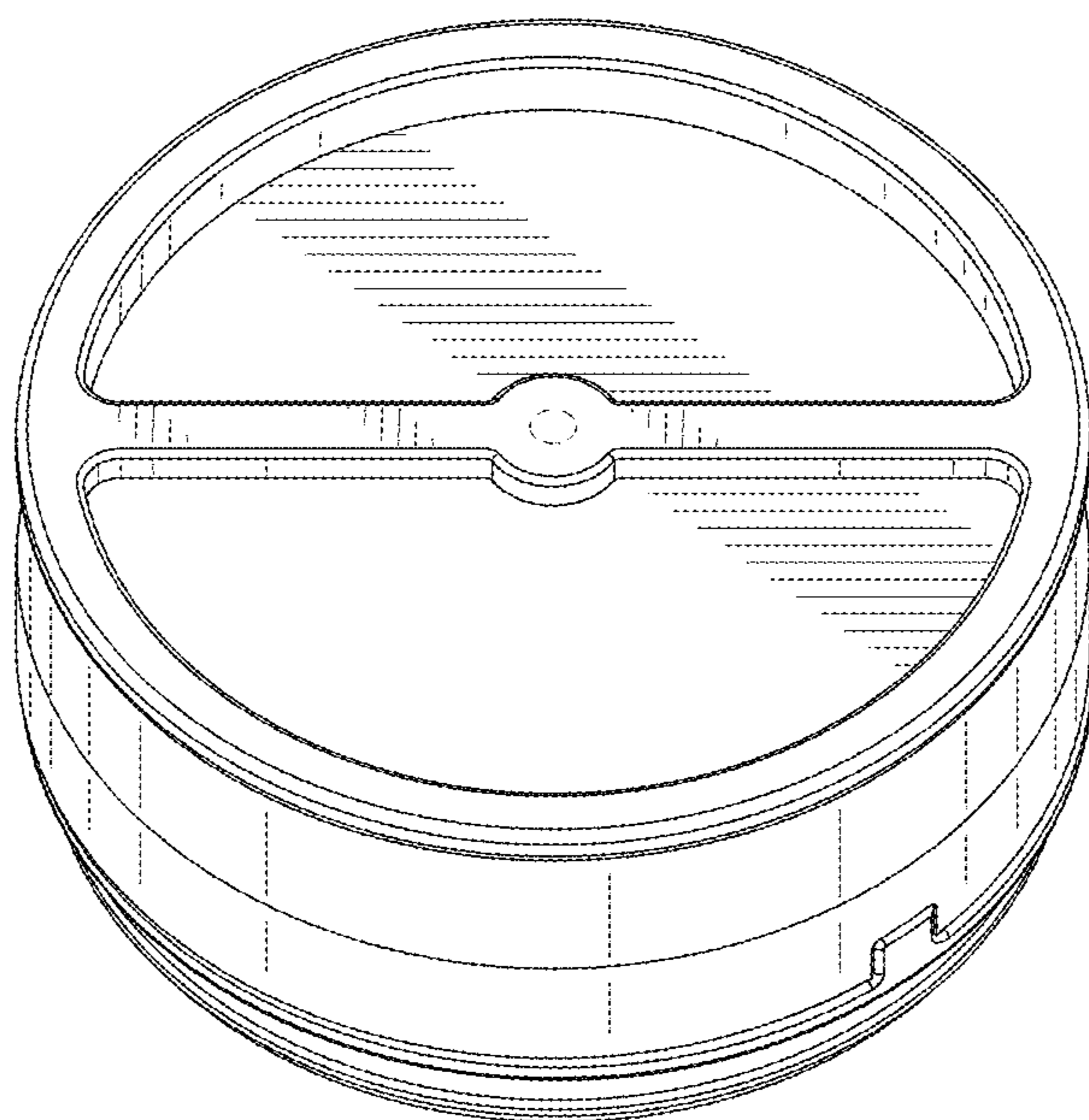


FIG. 5

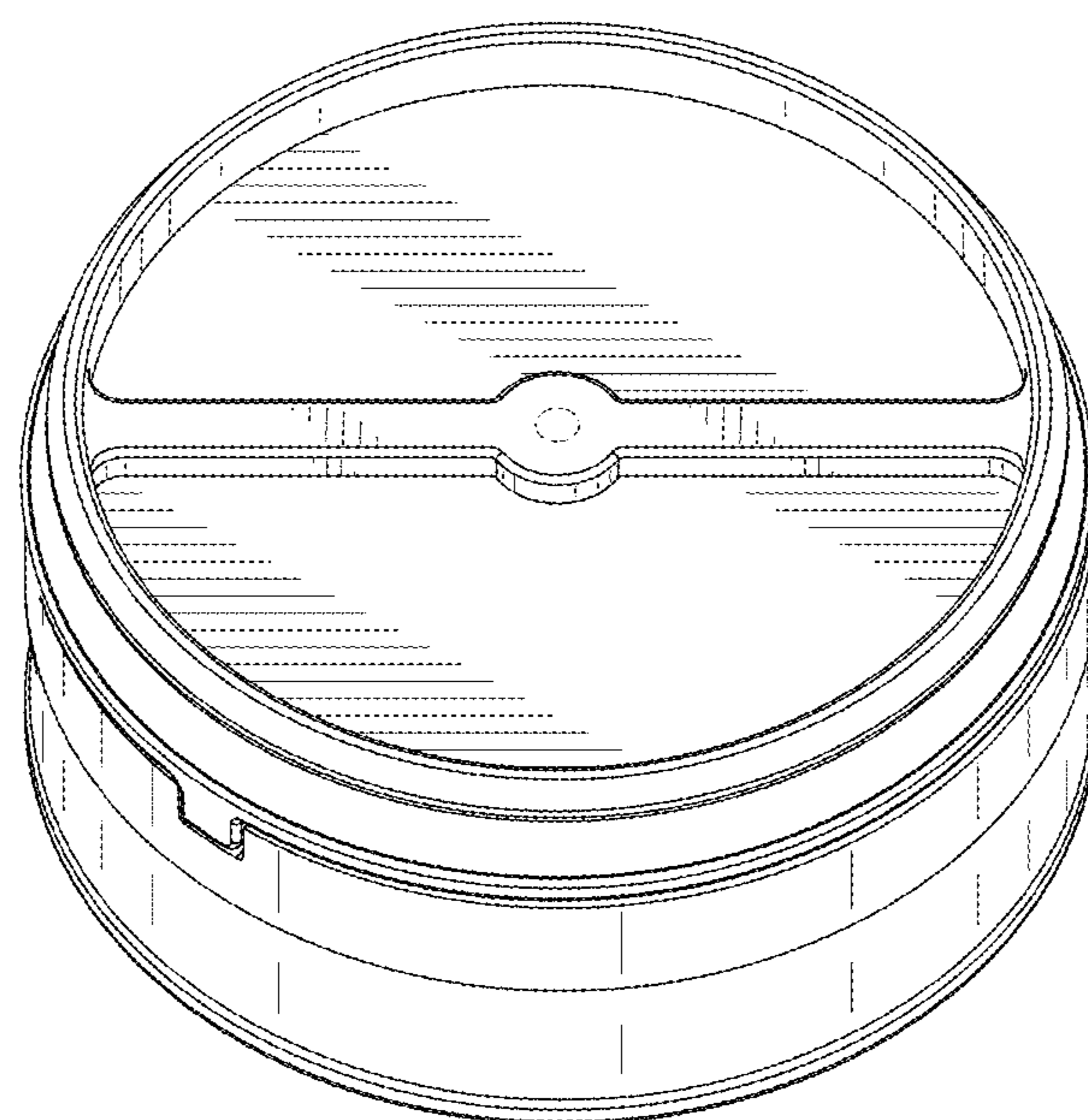


FIG. 6

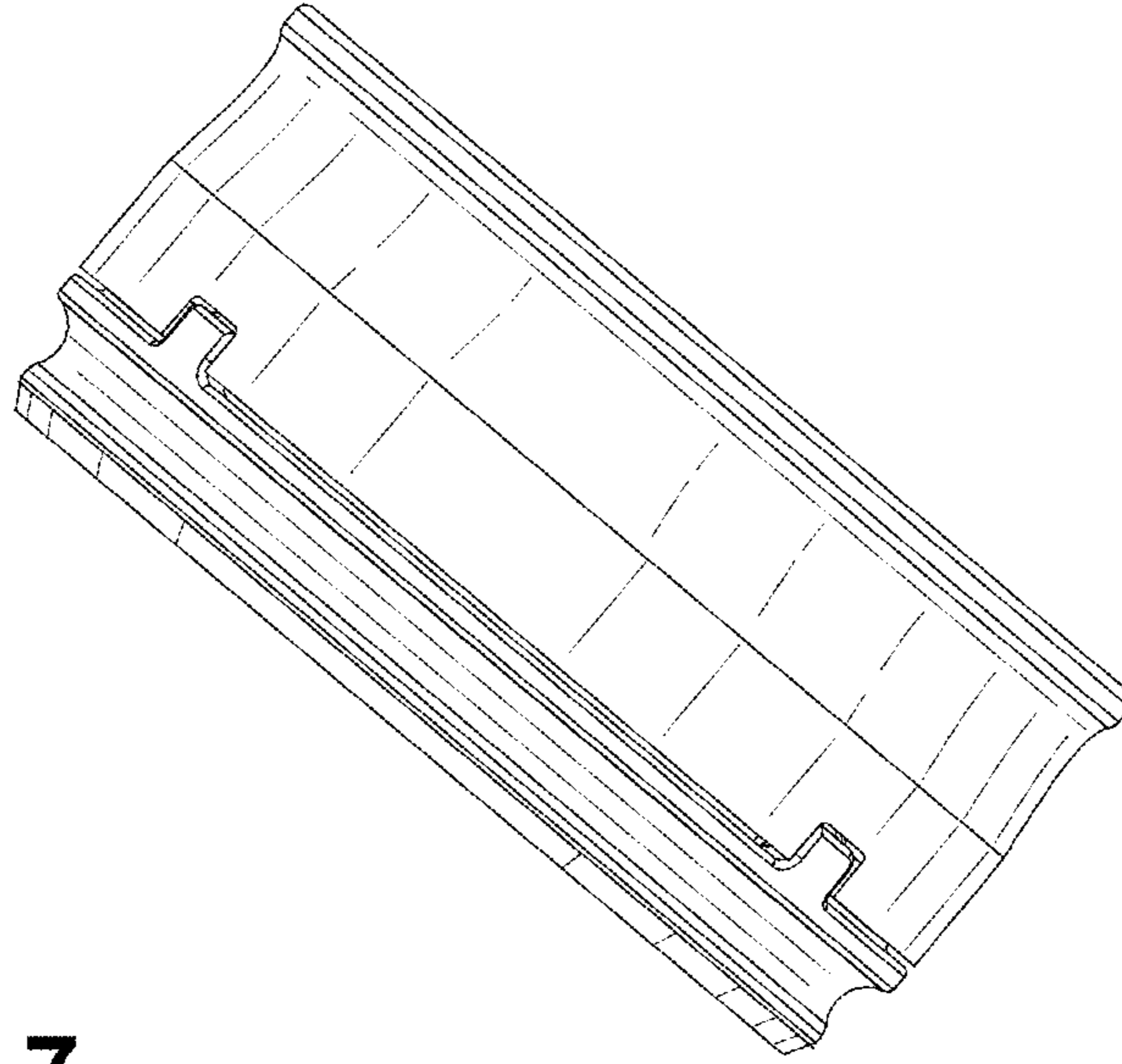


FIG. 7

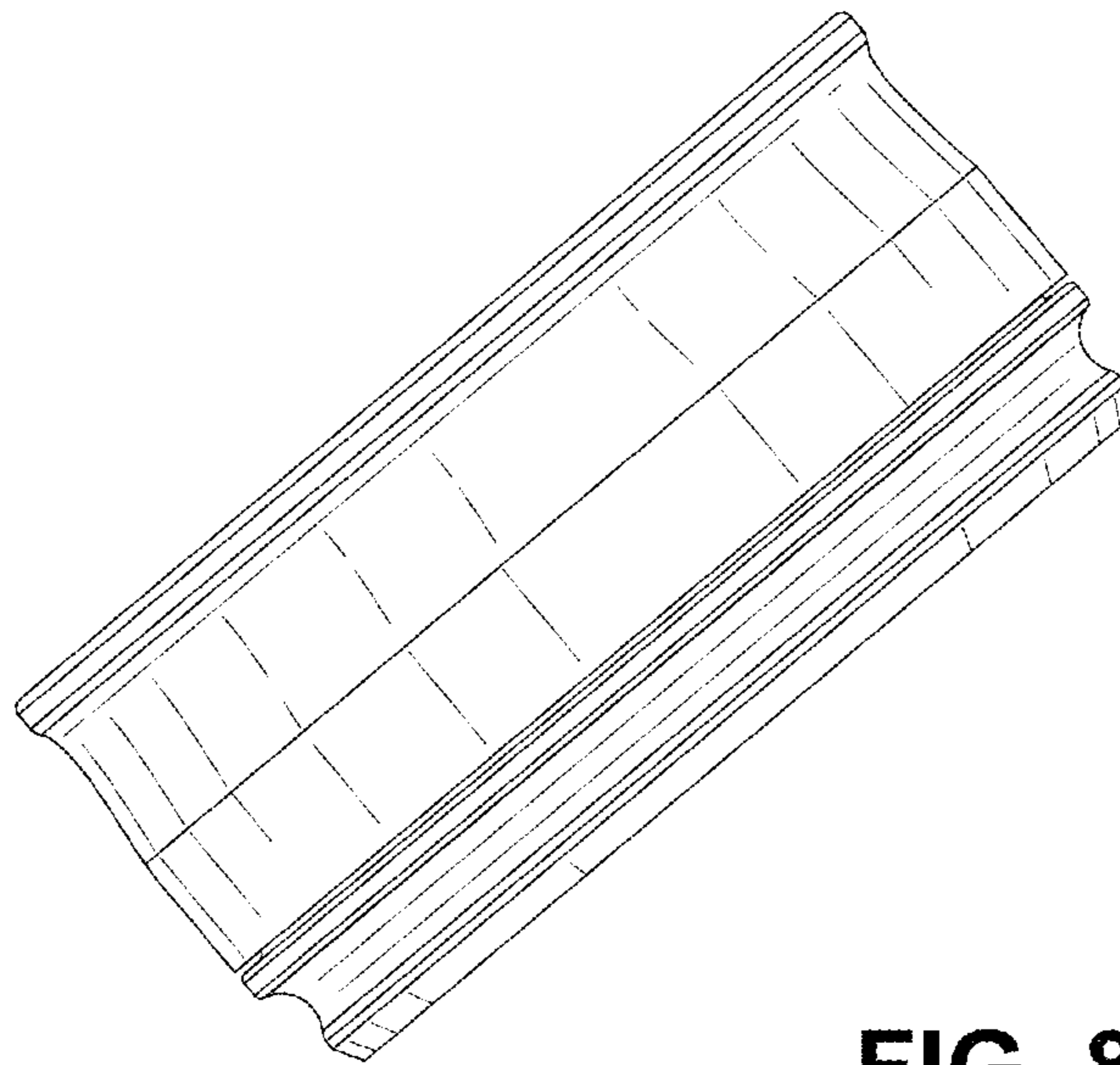


FIG. 8

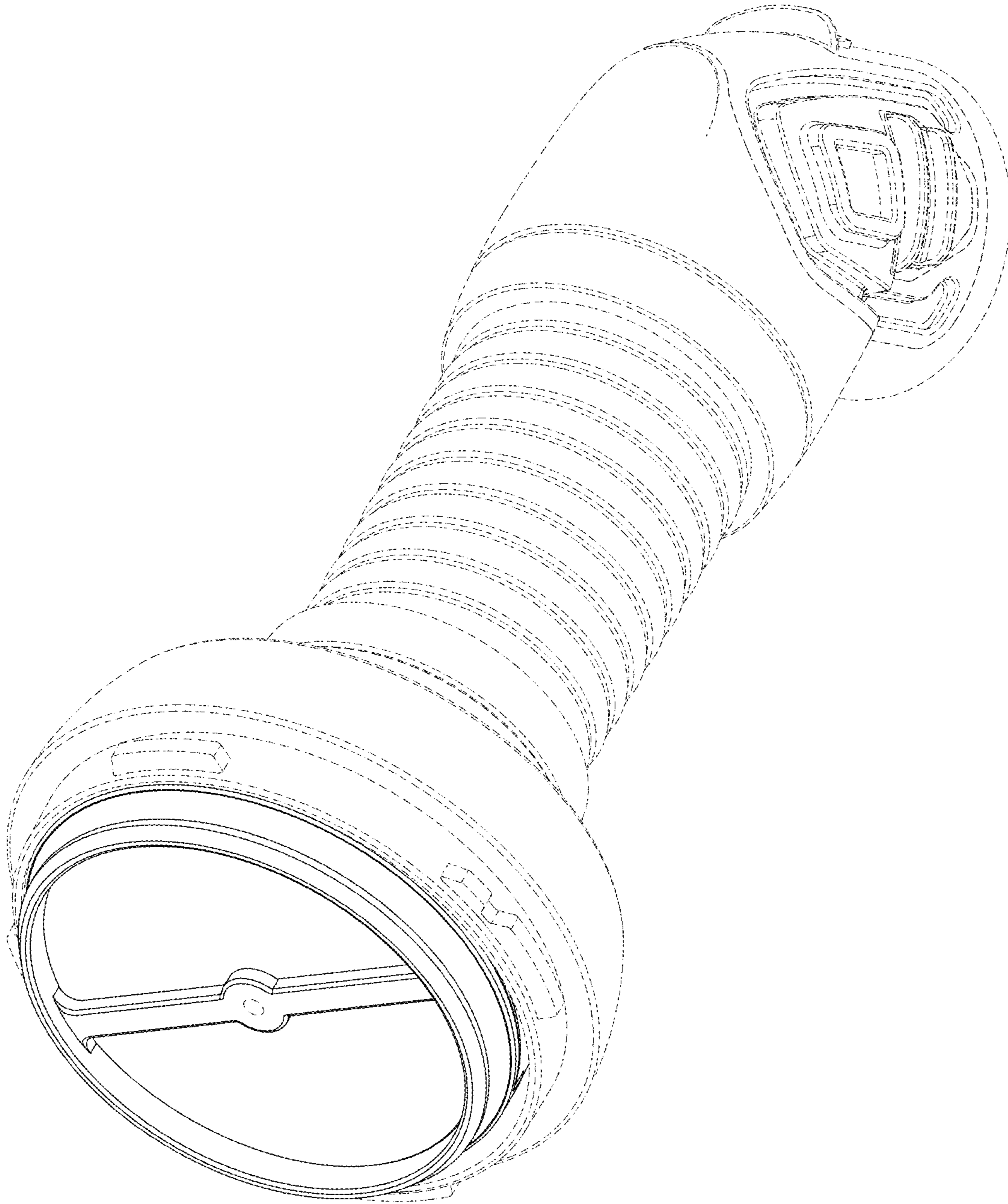


FIG. 9

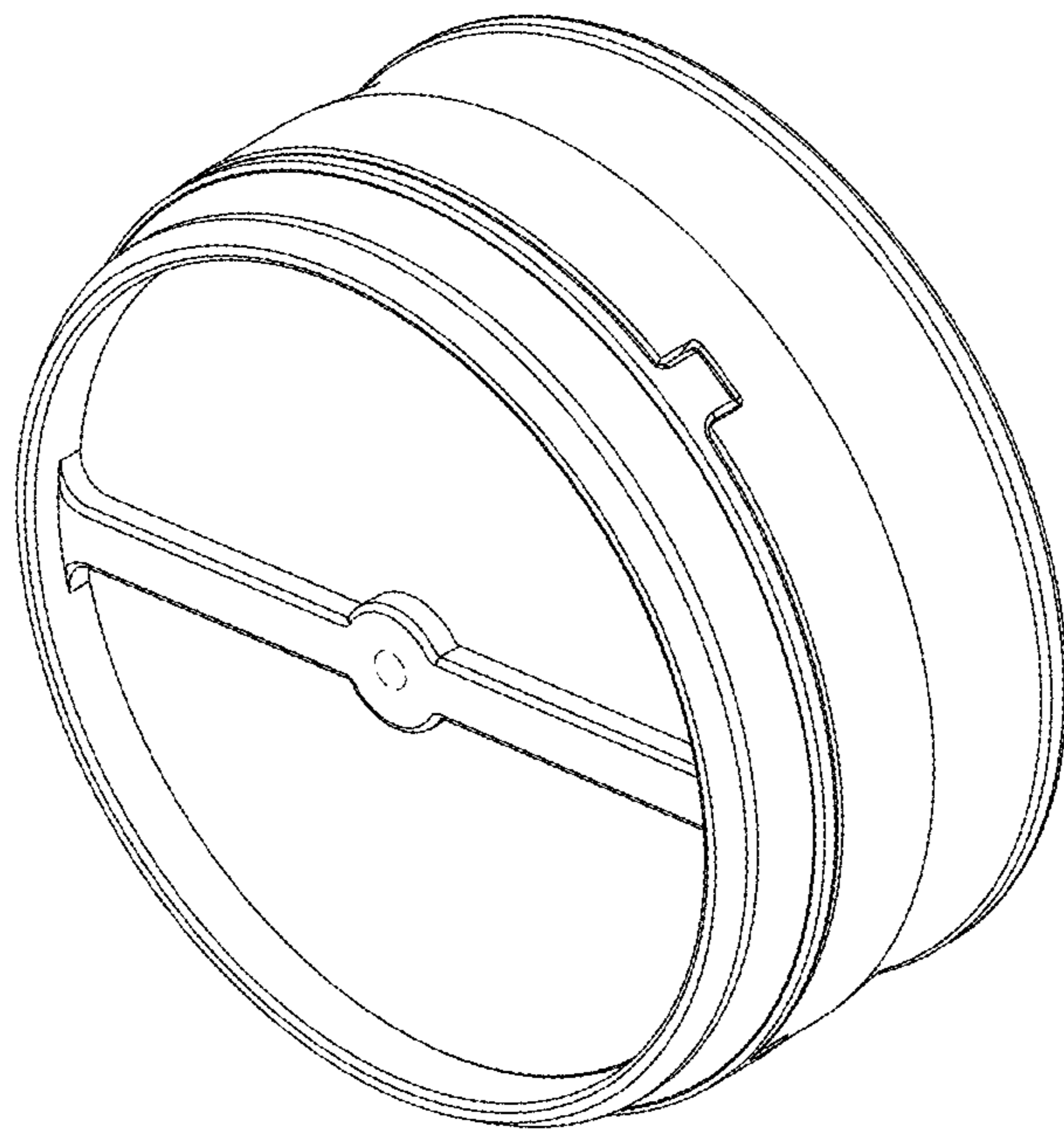


FIG. 10

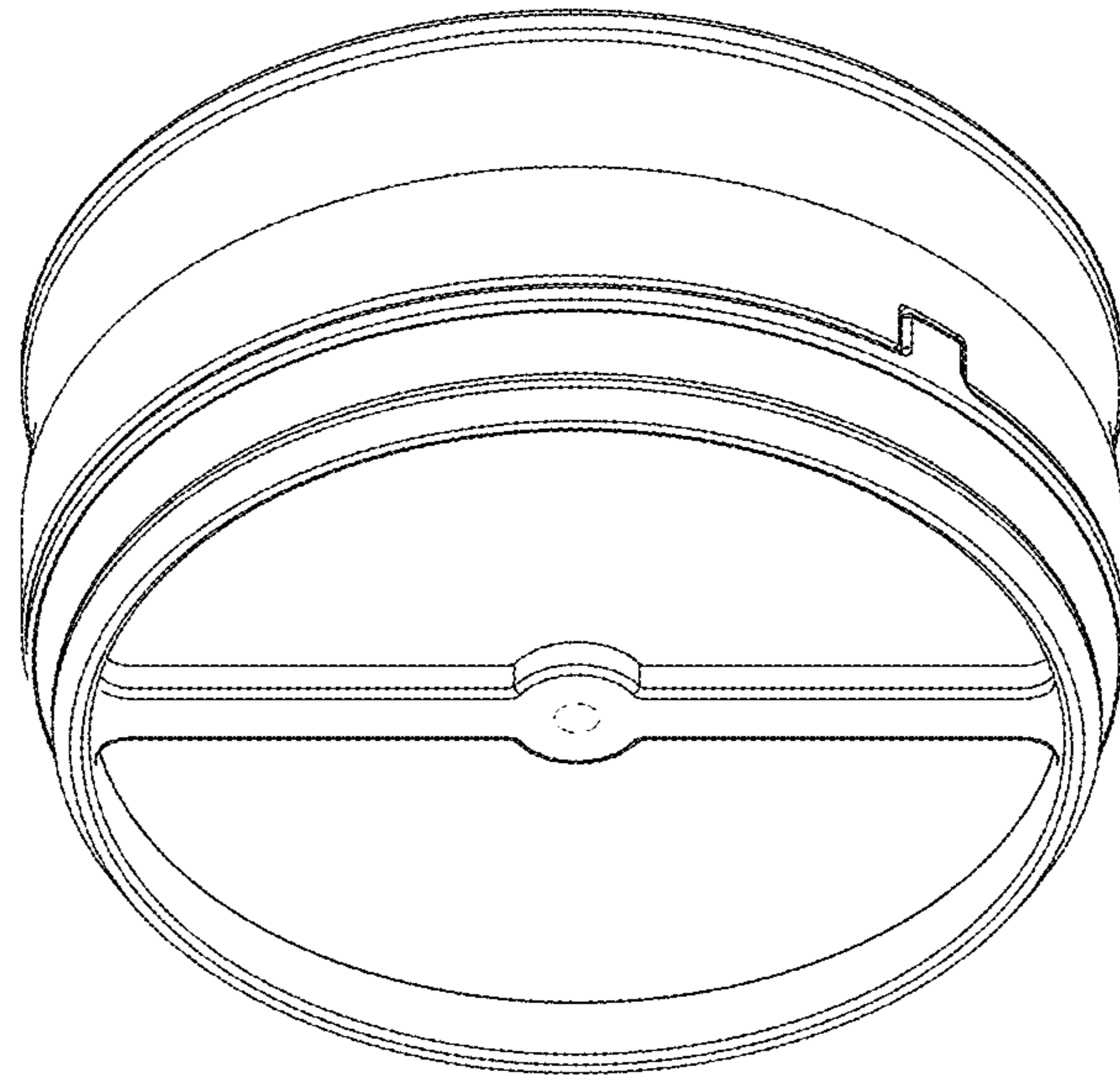


FIG. 11

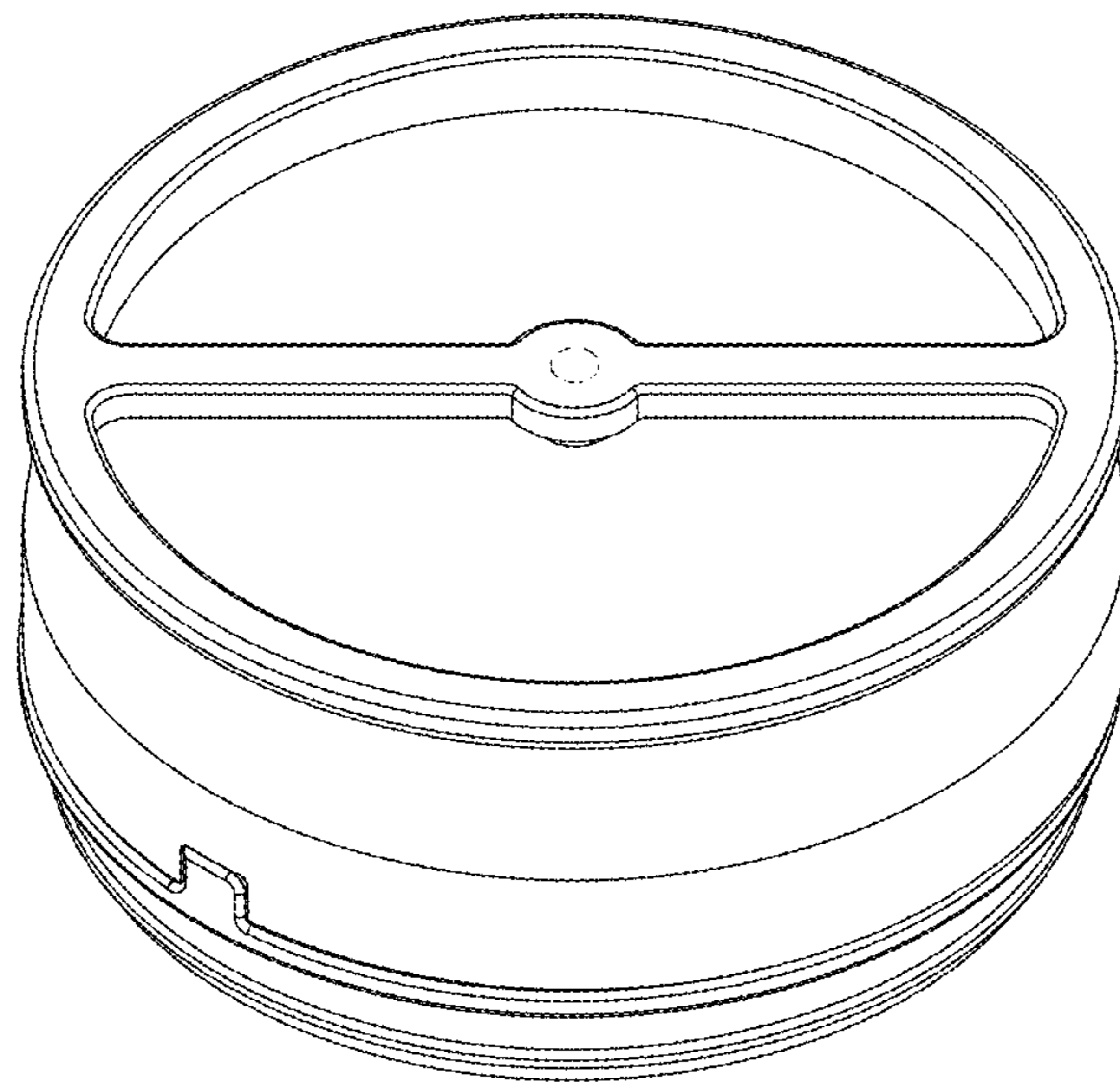


FIG. 12

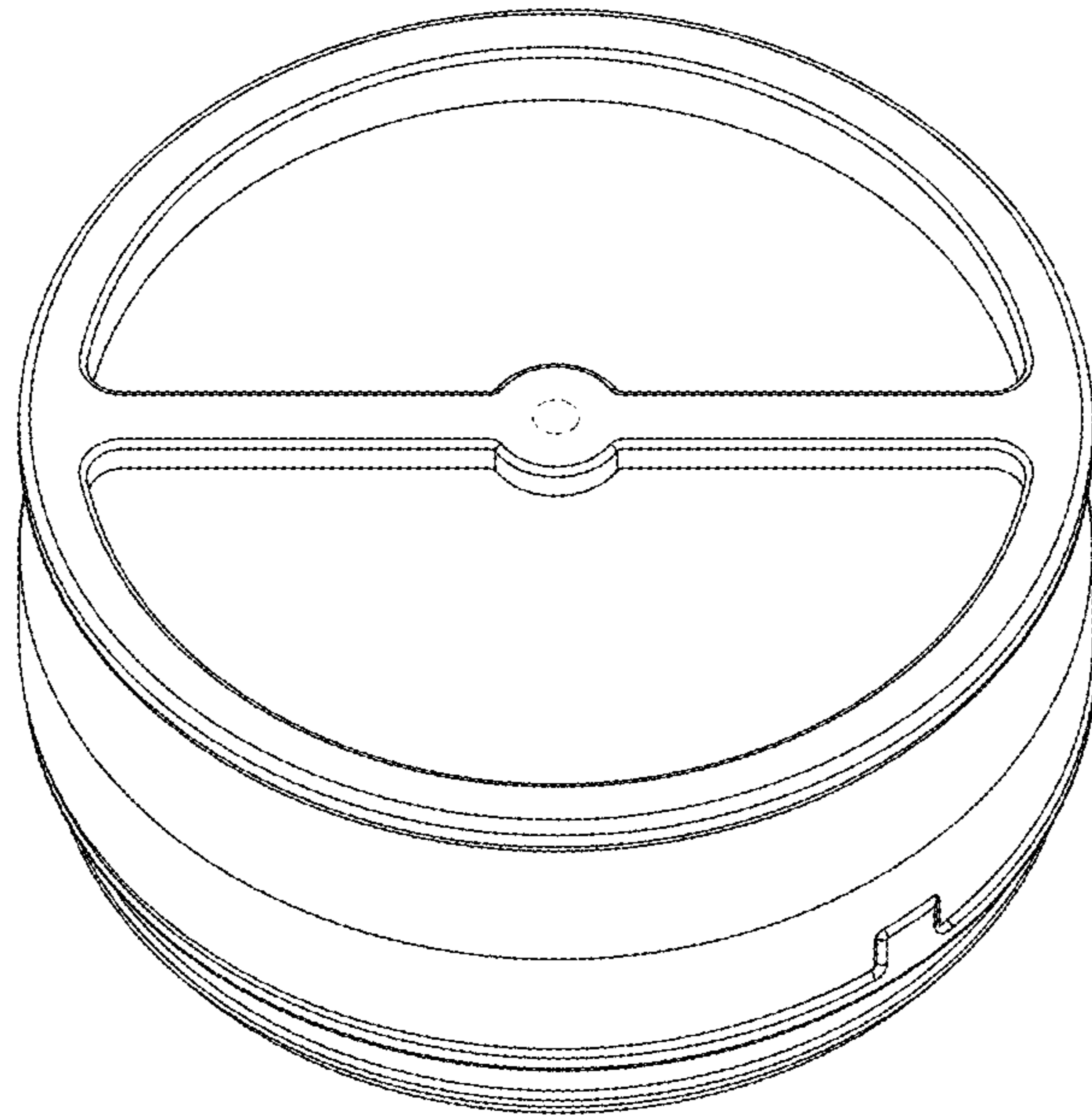


FIG. 13

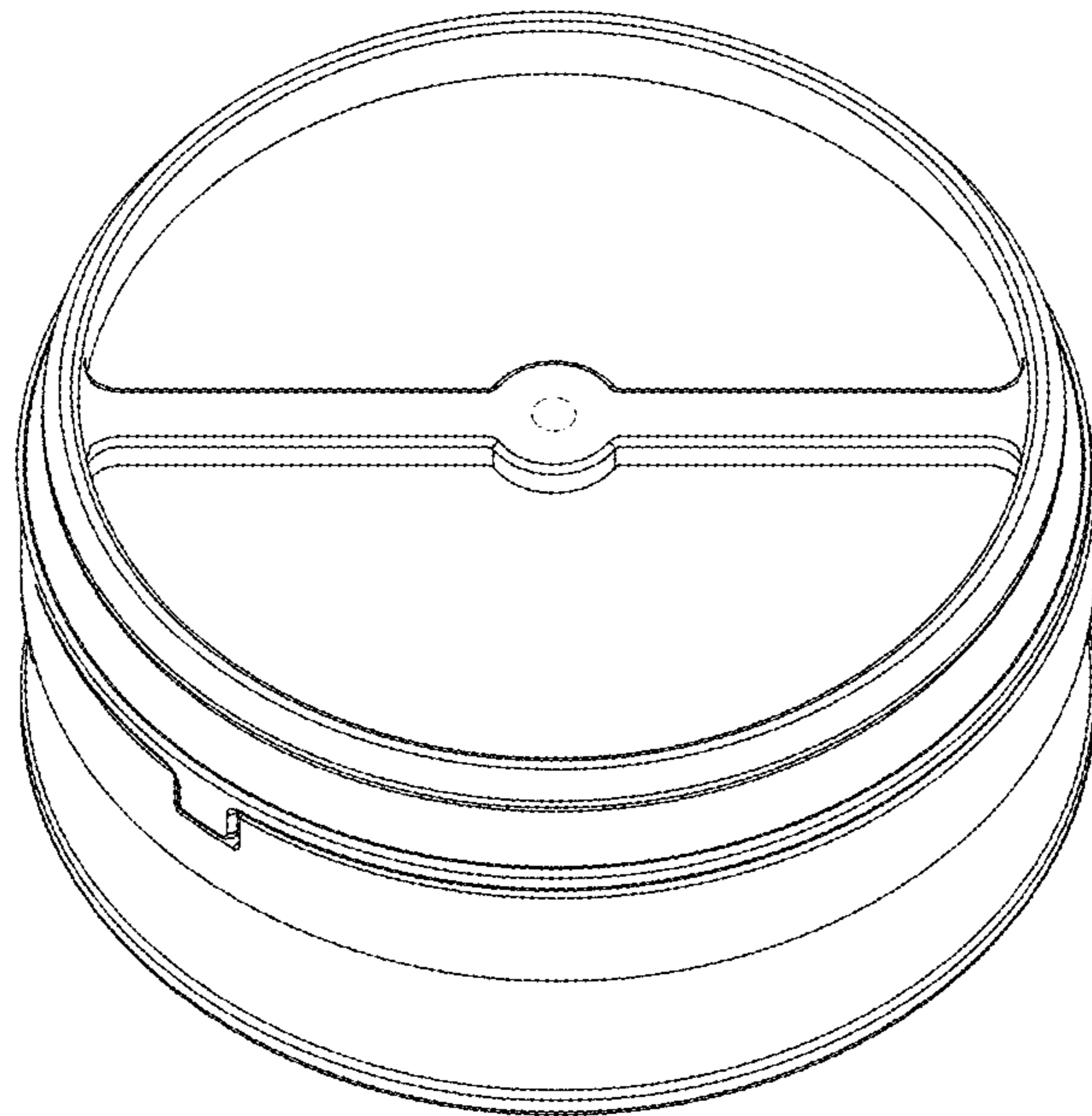


FIG. 14

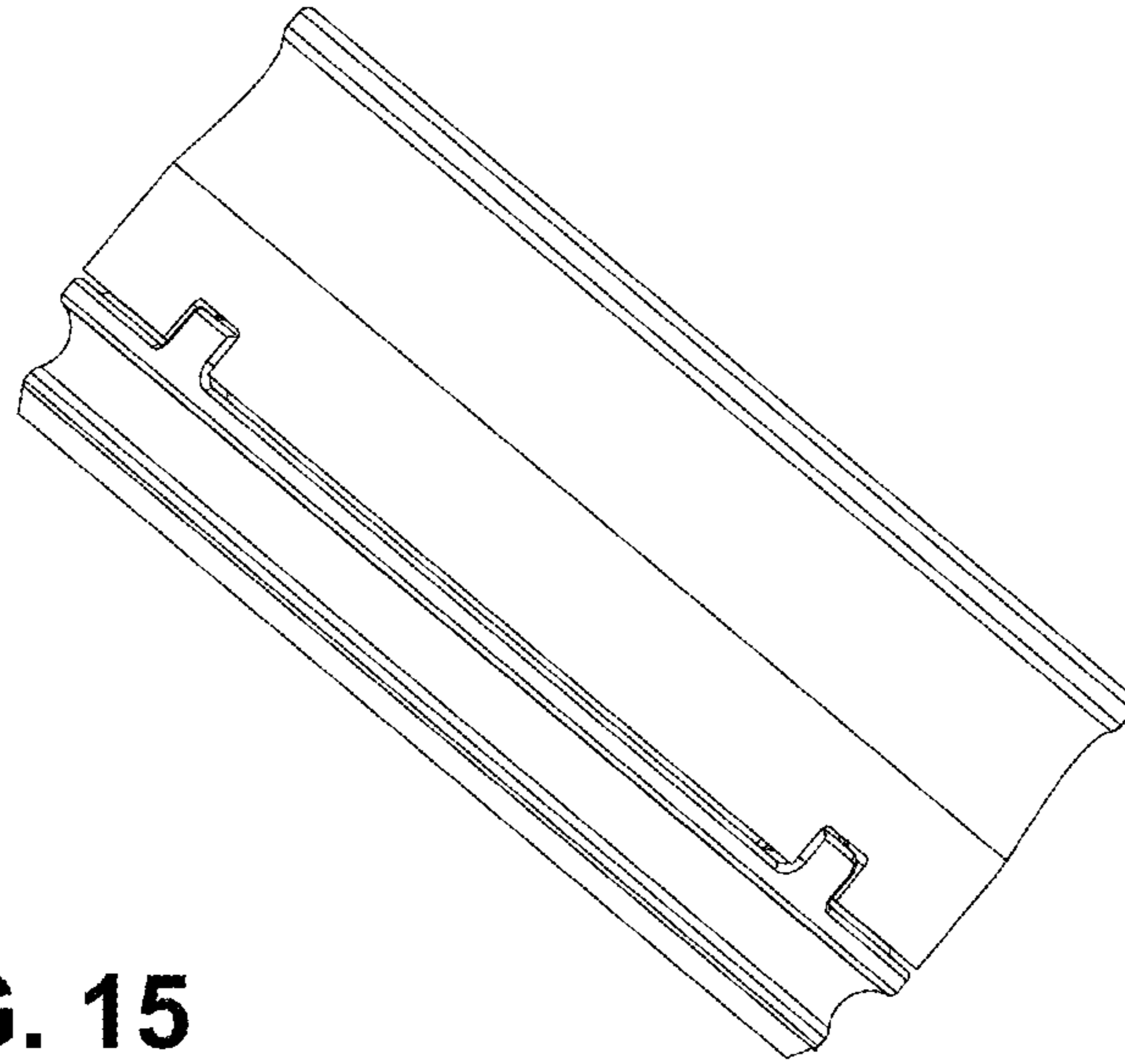


FIG. 15

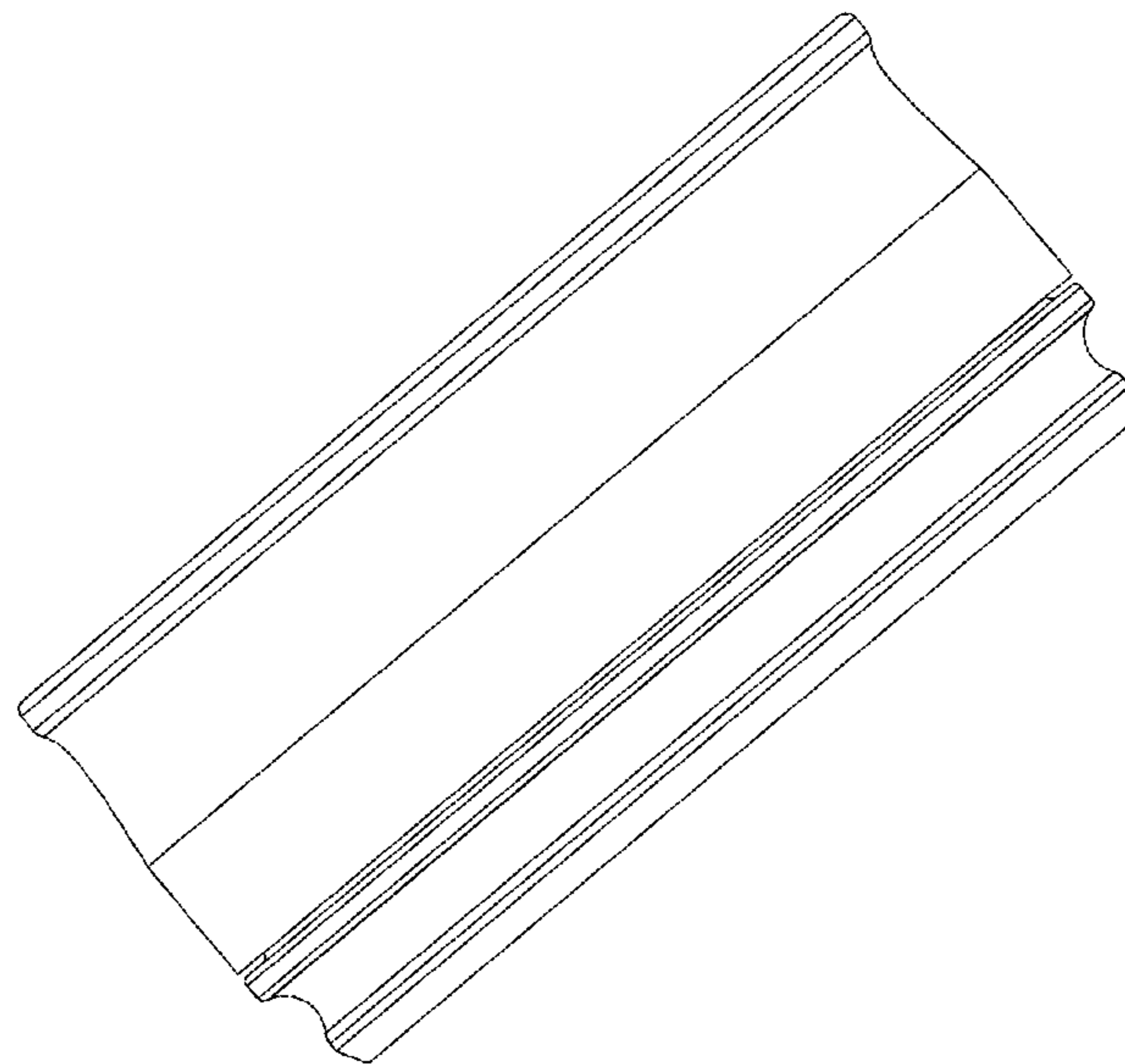


FIG. 16