



US00D929568S

(12) **United States Design Patent**  
**Baldus**

(10) **Patent No.:** **US D929,568 S**

(45) **Date of Patent:** **\*\* Aug. 31, 2021**

(54) **ANESTHESIA MASK**

(71) Applicant: **Baldus Medizintechnik GmbH**, Urbar (DE)

(72) Inventor: **Fabian Baldus**, Urbar (DE)

(73) Assignee: **Baldus Medizintechnik GmbH**, Urbar (DE)

(\*\*) Term: **15 Years**

(21) Appl. No.: **29/584,539**

(22) Filed: **Nov. 15, 2016**

(30) **Foreign Application Priority Data**

Sep. 16, 2016	(EM)	003382704-0001
Sep. 16, 2016	(EM)	003382704-0002
Sep. 16, 2016	(EM)	003382704-0003
Sep. 16, 2016	(EM)	003382704-0004

(51) **LOC (13) Cl.** ..... **29-02**

(52) **U.S. Cl.**  
USPC ..... **D24/110.1**

(58) **Field of Classification Search**

USPC	.....	D24/110, 127-128, 110.1-110.6, 164
CPC	.....	A61M 16/06; A61M 16/0683; A61M 16/0816; A61M 16/0622; A61M 16/0066; A61M 16/0666; A61M 16/0611; A61M 2210/0625; A61M 2205/6045

See application file for complete search history.

(56) **References Cited**

**U.S. PATENT DOCUMENTS**

5,018,519 A	5/1991	Brown	
D321,570 S	11/1991	Blasdell et al.	
5,109,839 A	5/1992	Blasdell et al.	
D398,987 S	9/1998	Cotner et al.	
D412,745 S *	8/1999	Scheu	..... D24/110.4
6,019,101 A	2/2000	Cotner et al.	

6,044,844 A	4/2000	Kwok et al.	
6,135,109 A	10/2000	Blasdell et al.	
6,736,140 B1	5/2004	Baczkowski	
D742,501 S *	11/2015	Chen	..... D24/110
D742,502 S *	11/2015	Chen	..... D24/110
D743,021 S *	11/2015	Chen	..... D24/110
D745,139 S *	12/2015	Chen	..... D24/110
D768,287 S *	10/2016	Gusky	..... D24/110.1
2016/0287829 A1 *	10/2016	Whitehead	..... A61M 16/0683

(Continued)

**OTHER PUBLICATIONS**

Baldus Medizintechnik, posted at filtershop-online.de, earliest date posted unknown, [online], acquired on Oct. 16, 2018. Available from Internet, <URL: [http://www.filtershop-online.de/roedix-shop\\_18-masken\\_autoklavierbar-98-4.html](http://www.filtershop-online.de/roedix-shop_18-masken_autoklavierbar-98-4.html)> (Year: 2018).

*Primary Examiner* — Aula Soroush

(74) *Attorney, Agent, or Firm* — Lowe Graham Jones PLLC

(57) **CLAIM**

The ornamental design for an anesthesia mask, as shown and described.

**DESCRIPTION**

FIGS. 1-7 illustrate a transparent anesthesia mask, showing my new design.

FIG. 1 is a front view of the anesthesia mask.

FIG. 2 is a back view of the anesthesia mask.

FIG. 3 is a top view of the anesthesia mask.

FIG. 4 is a bottom view of the anesthesia mask.

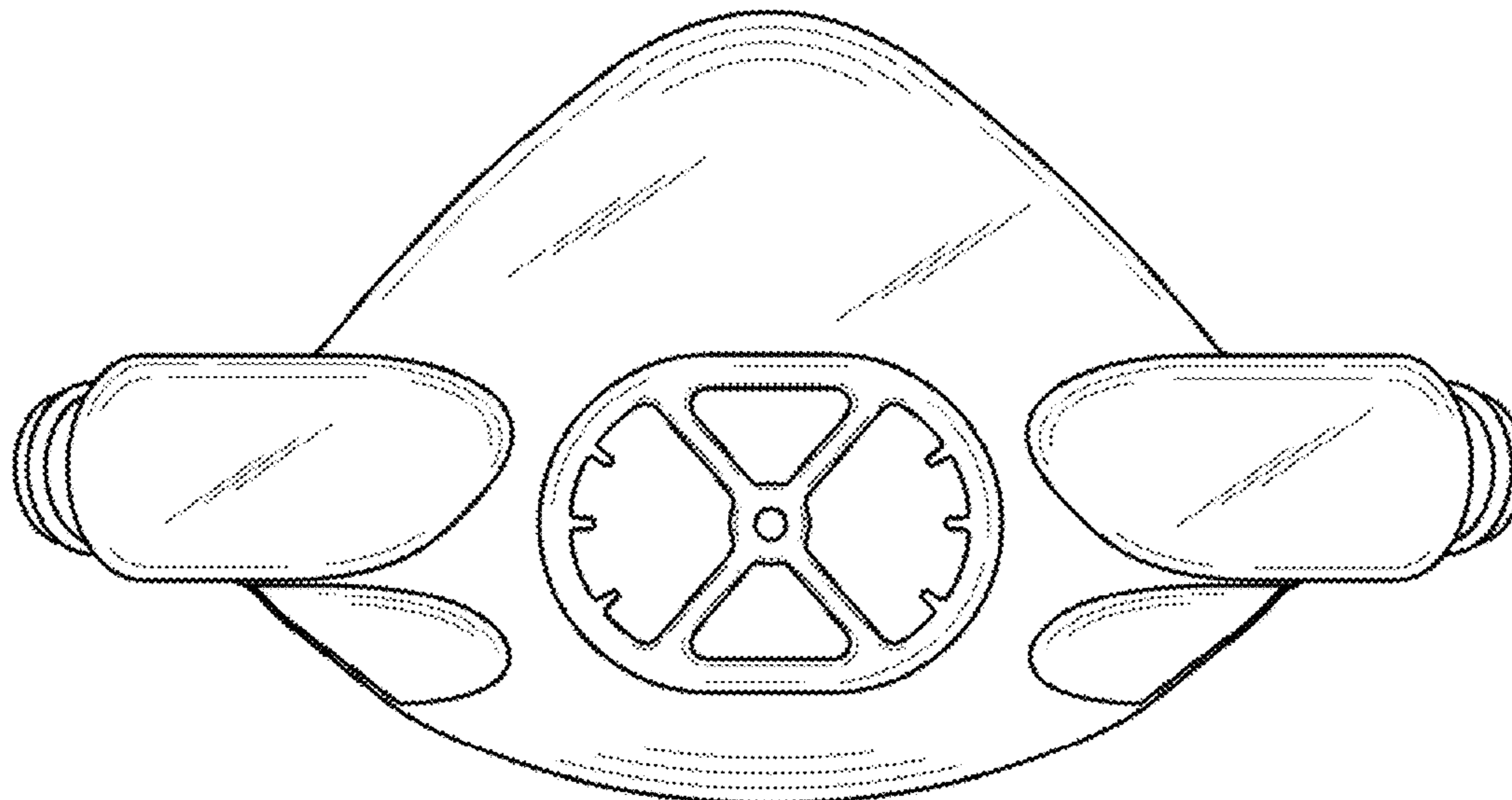
FIG. 5 is a front perspective view of the anesthesia mask.

FIG. 6 is a back perspective view of the anesthesia mask; and,

FIG. 7 is a left perspective view of the anesthesia mask.

The surface shading is for purposes of illustrating the character and/or contour of the surfaces of the claimed invention and forms no part of the claimed design.

**1 Claim, 7 Drawing Sheets**



(56)

**References Cited**

U.S. PATENT DOCUMENTS

2017/0259018 A1 9/2017 Blasdel et al.  
2017/0361057 A1 12/2017 Blasdel et al.

\* cited by examiner

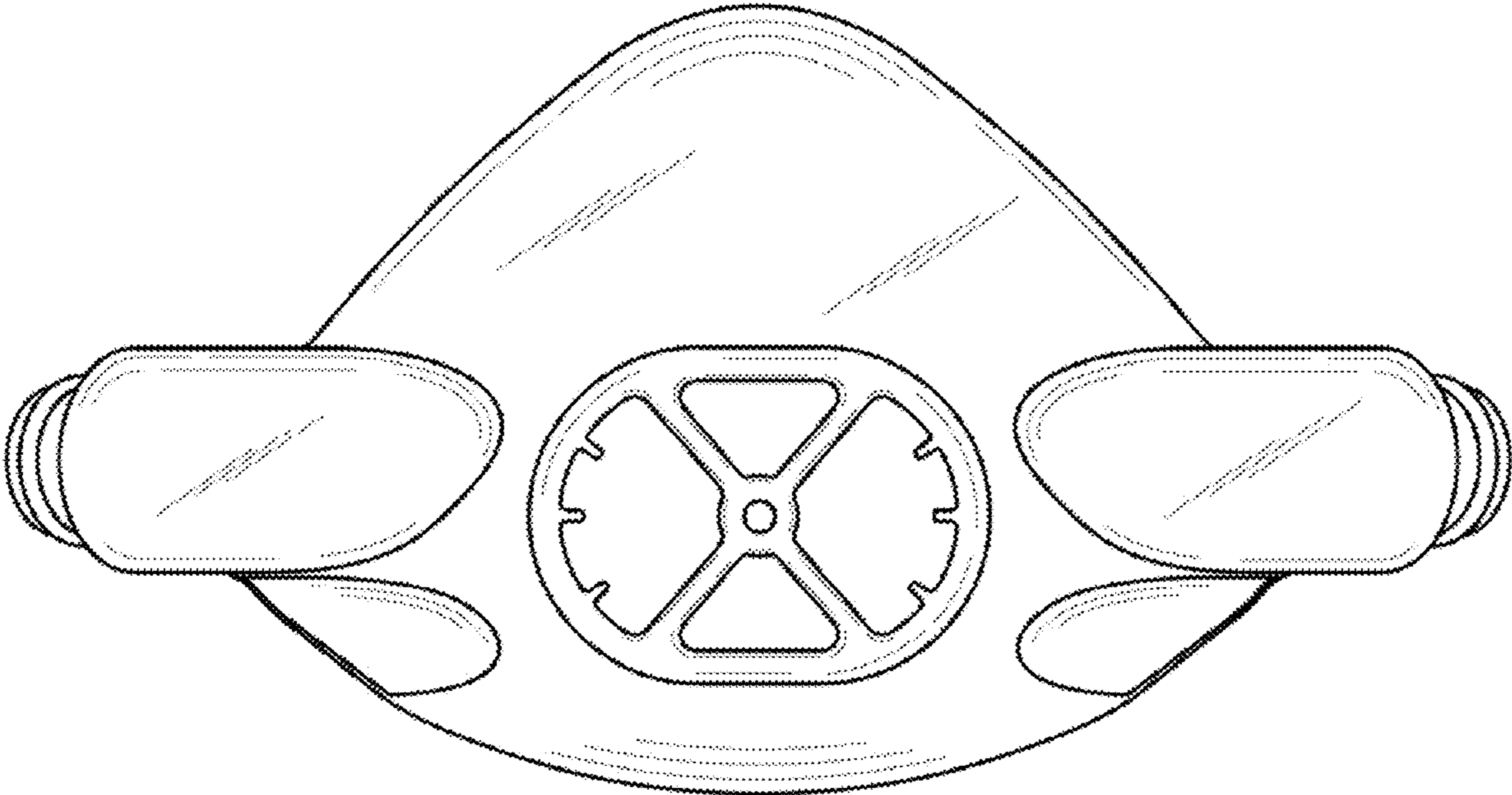


FIG. 1

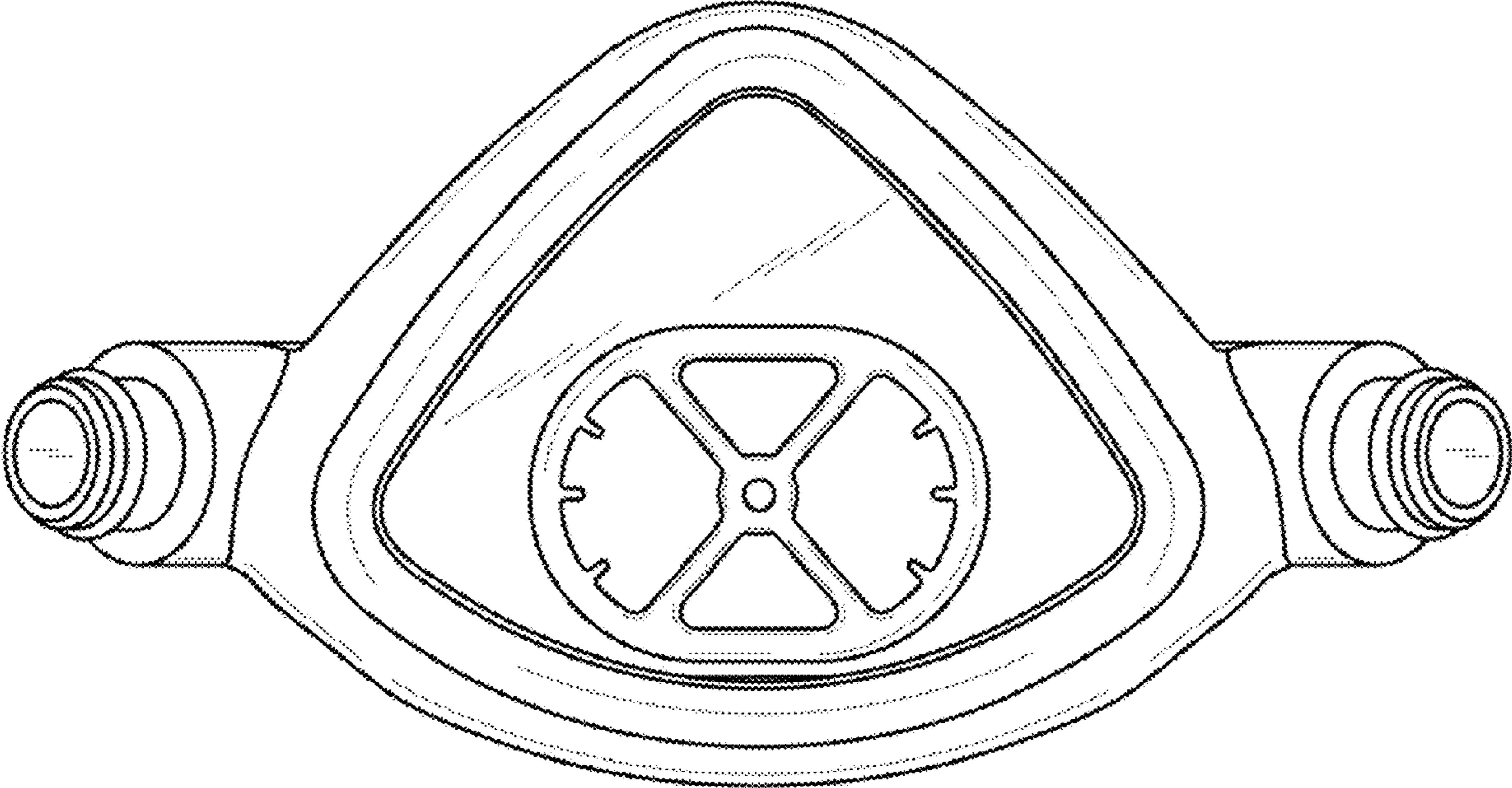


FIG. 2

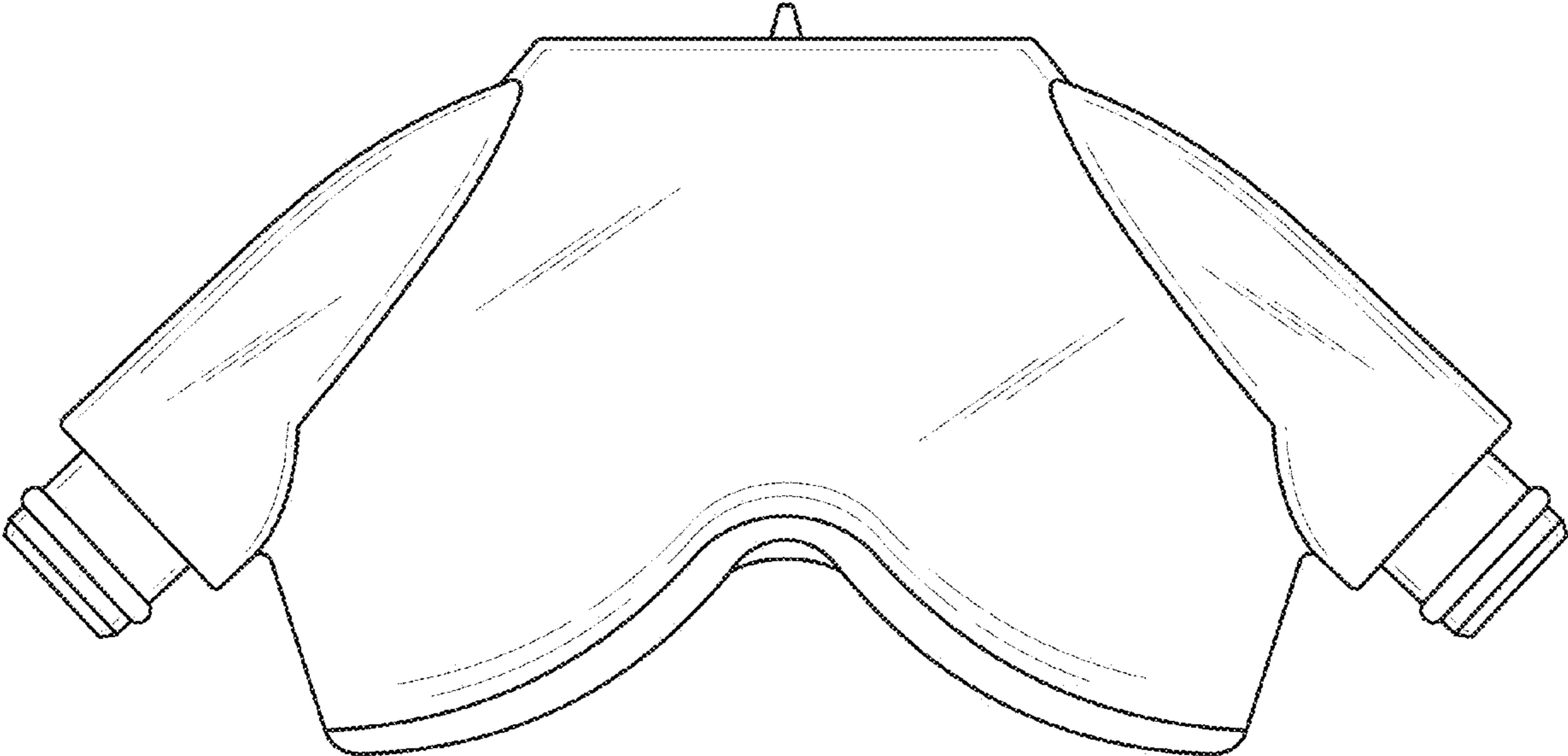


FIG. 3

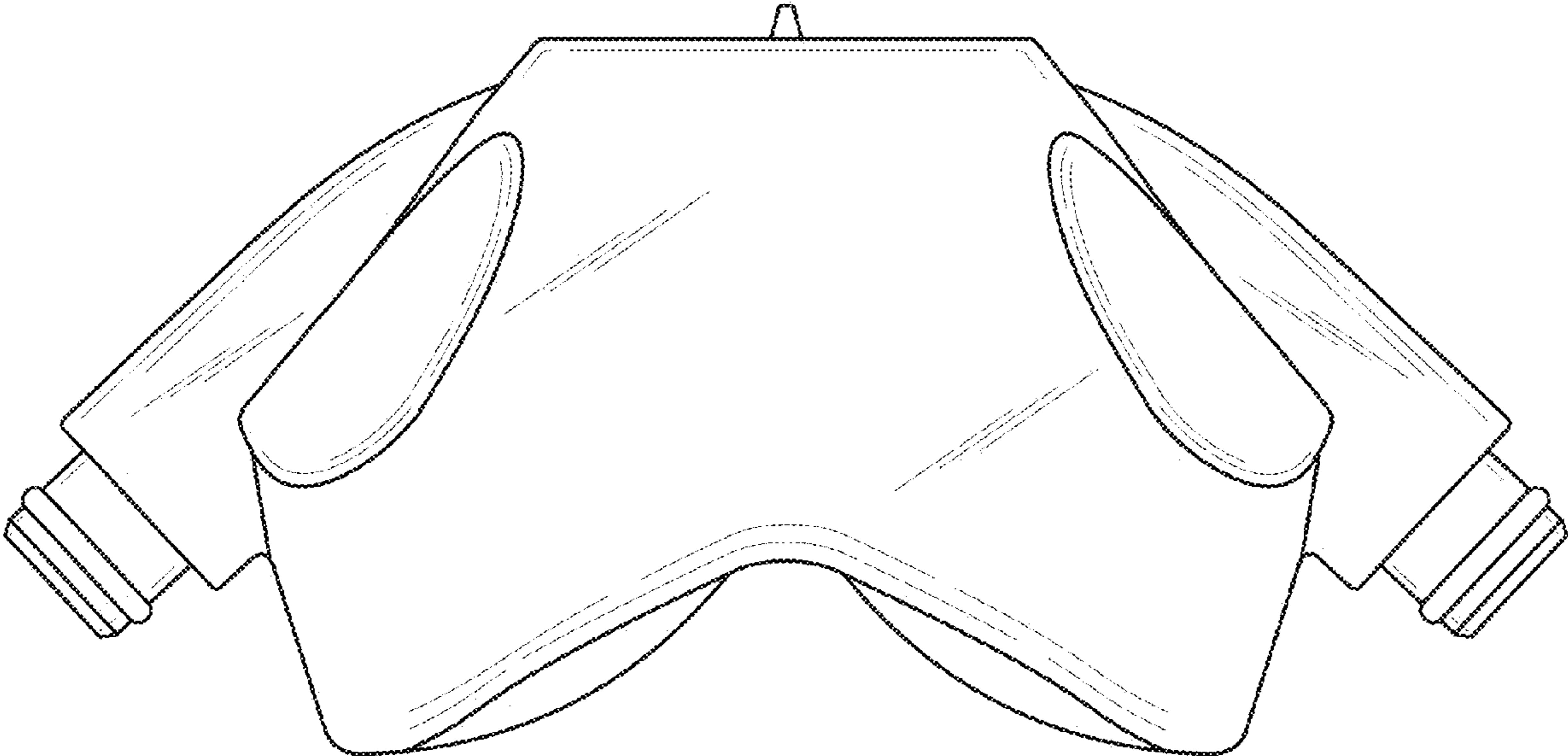


FIG. 4

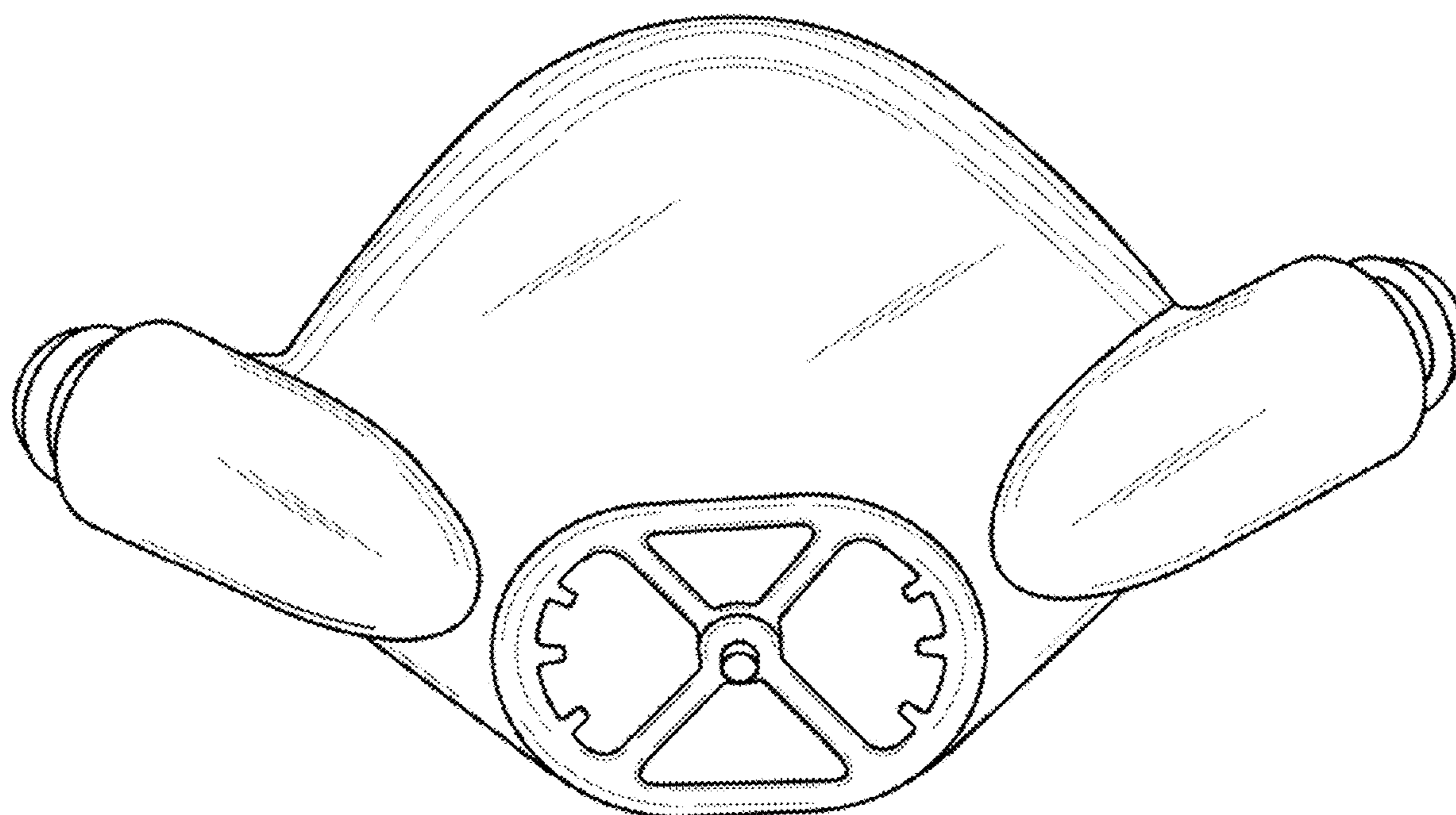


FIG. 5

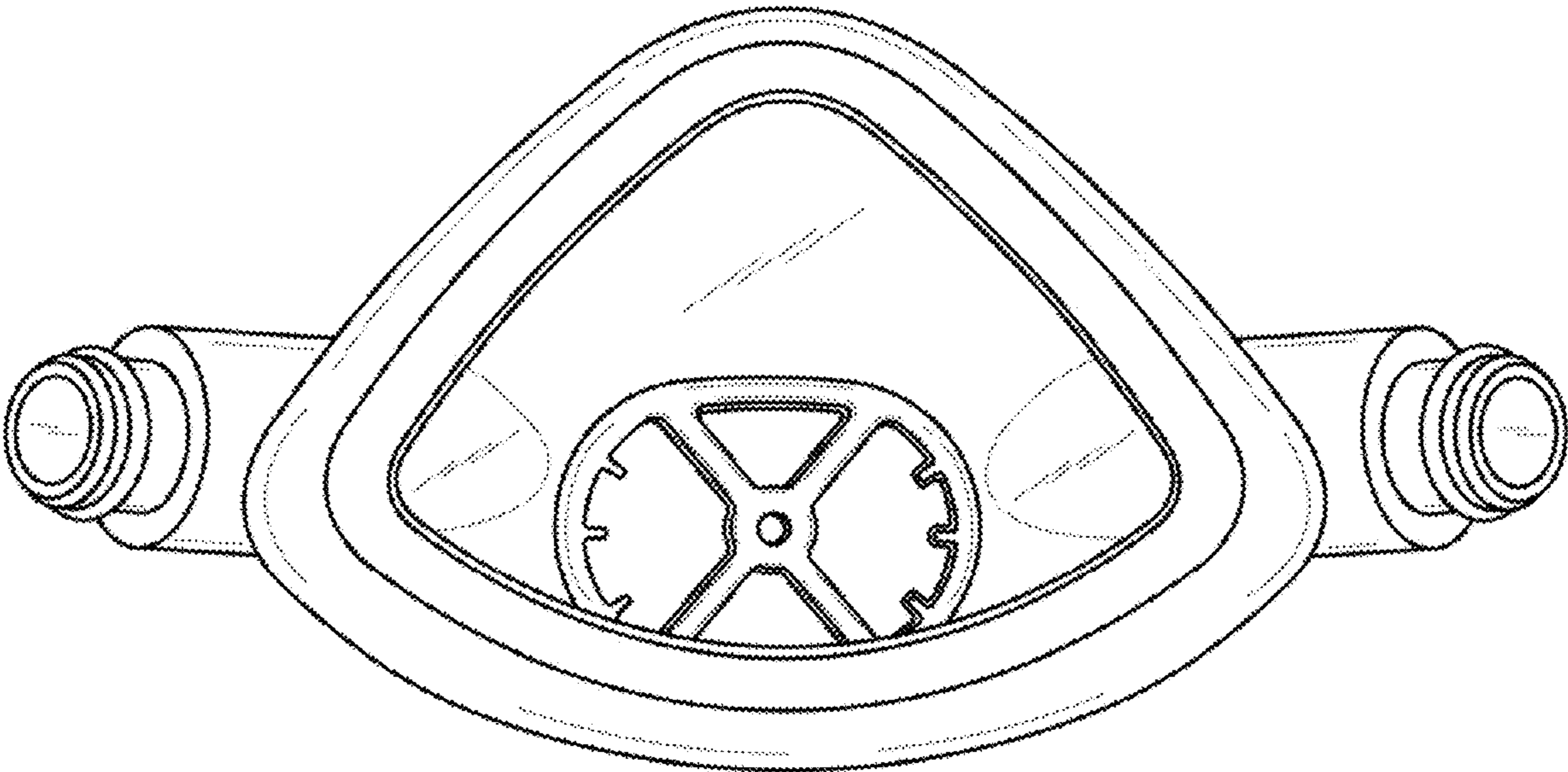


FIG. 6



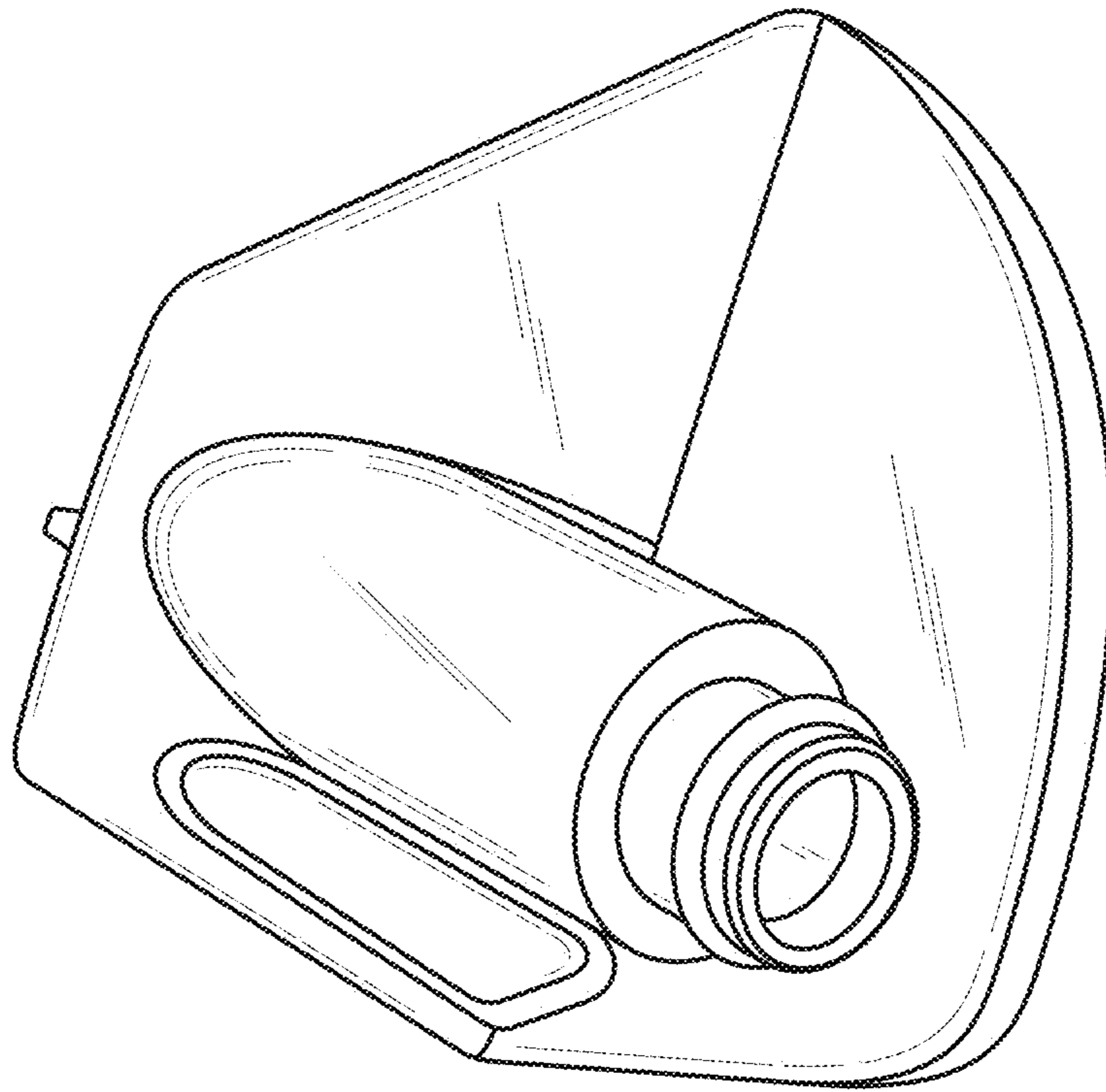


FIG. 7