



US00D929566S

(12) **United States Design Patent** (10) **Patent No.:** **US D929,566 S**  
**Wu** (45) **Date of Patent:** **\*\* Aug. 31, 2021**

(54) **OXYGEN PUMP**  
(71) Applicant: **SHENZHEN BSV SOLAR ENERGY CO., LTD**, Shenzhen (CN)  
(72) Inventor: **Huiqiang Wu**, Shenzhen (CN)

D861,973 S \* 10/2019 Qiu ..... D27/101  
D871,663 S \* 12/2019 Lord ..... D27/101  
D888,934 S \* 6/2020 Nguyen ..... D24/110  
D893,023 S \* 8/2020 Hogenauer ..... D24/127  
D908,952 S \* 1/2021 Guo ..... D27/101  
D912,641 S \* 3/2021 Dai ..... D14/158  
D912,890 S \* 3/2021 Liu ..... D27/162

(\*\*) Term: **15 Years**

**OTHER PUBLICATIONS**

(21) Appl. No.: **29/713,743**

Sunbell Air Pump Solar Kit Solar, posted at amazon.com, earliest date reviewed on Oct. 29, 2019, [online], acquired on Apr. 10, 2021, Available on internet. url:https://www.amazon.com/Sunbell-Powered-Oxygenator-Aerator-Upgrade/dp/B07WHNW411/ref=cm\_cr\_arpd\_product\_top?ie=UTF8 (Year: 2019).\*

(22) Filed: **Nov. 18, 2019**

(51) **LOC (13) Cl.** ..... **29-02**

(52) **U.S. Cl.**  
USPC ..... **D24/110**

\* cited by examiner

(58) **Field of Classification Search**  
USPC ..... D24/107, 108, 110, 110.1-110.5, 127, D24/164; D29/108; D27/163-167  
CPC ..... A61M 15/0085; A61M 15/0005; A61M 11/005; A61M 11/00; A61M 11/02; A61M 11/04; A61M 5/087; A61M 5/0871; A61M 5/091; A61M 5/097; A61M 15/00; A61M 15/0065; A61M 15/0091; A61M 15/0021; A61M 15/0026; A61M 15/008; A61M 15/007; A63B 23/18

*Primary Examiner* — Sheryl Lane  
*Assistant Examiner* — Aula Soroush

See application file for complete search history.

(57) **CLAIM**

The ornamental design for a oxygen pump, as shown and described.

(56) **References Cited**

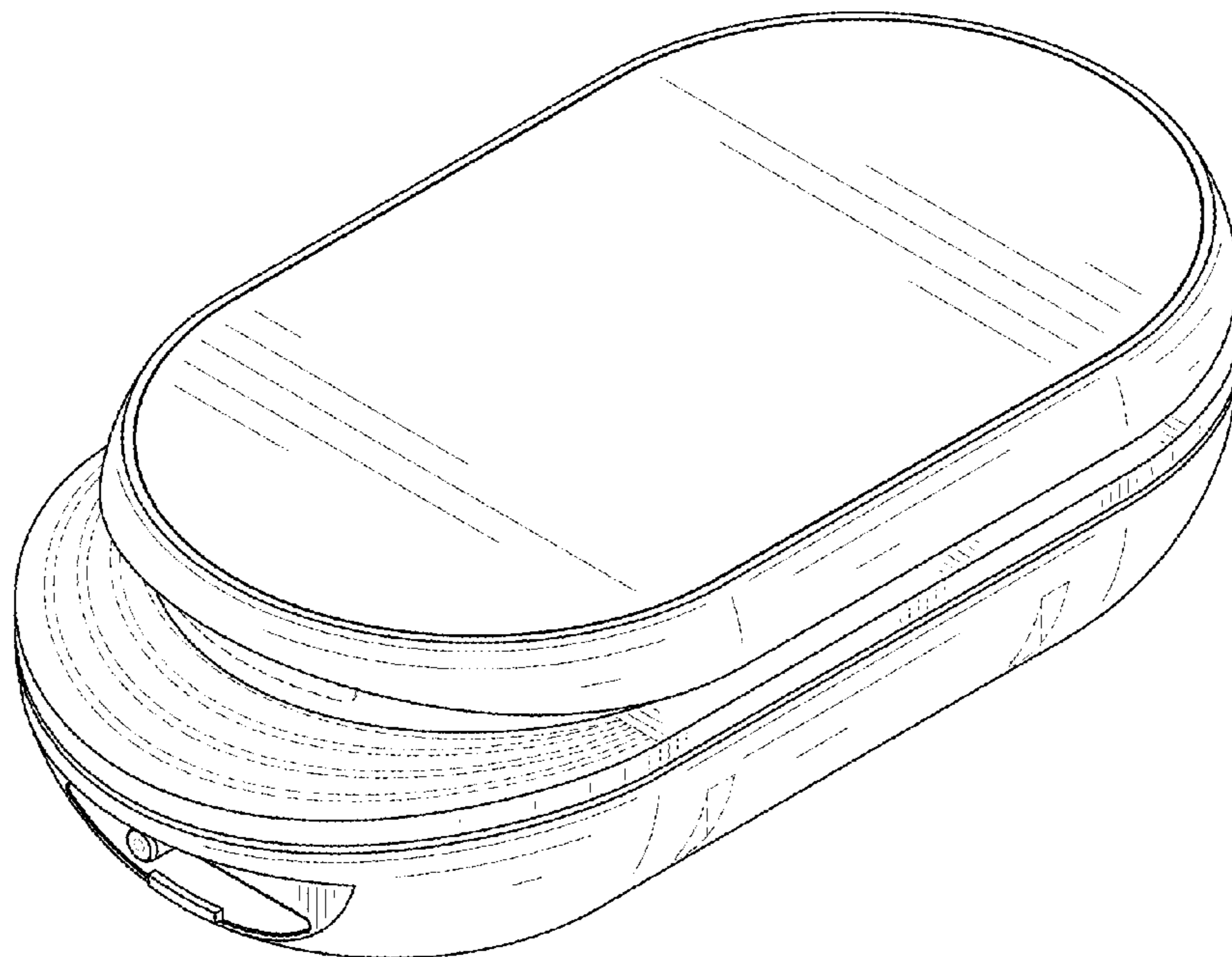
**DESCRIPTION**

**U.S. PATENT DOCUMENTS**

D532,927 S \* 11/2006 Sann ..... D27/101  
D744,109 S \* 11/2015 Yoneta ..... D24/186  
D744,110 S \* 11/2015 Kubo ..... D24/186  
D776,270 S \* 1/2017 Wilcox ..... D24/127  
D779,719 S \* 2/2017 Qiu ..... D27/101  
D804,334 S \* 12/2017 Becker ..... D10/70  
D837,446 S \* 1/2019 Durand ..... D27/101  
D855,251 S \* 7/2019 Qiu ..... D27/162

FIG. 1 is a first perspective view of a oxygen pump showing my new design;  
FIG. 2 is a second perspective view thereof;  
FIG. 3 is a front view thereof;  
FIG. 4 is a back view thereof;  
FIG. 5 is a left side view thereof;  
FIG. 6 is a right side view thereof;  
FIG. 7 is atop view thereof; and,  
FIG. 8 is a bottom view thereof.  
The broken lines shown in the drawings depict portions of the oxygen pump in which the design is embodied that form no part of the claimed design.

**1 Claim, 8 Drawing Sheets**



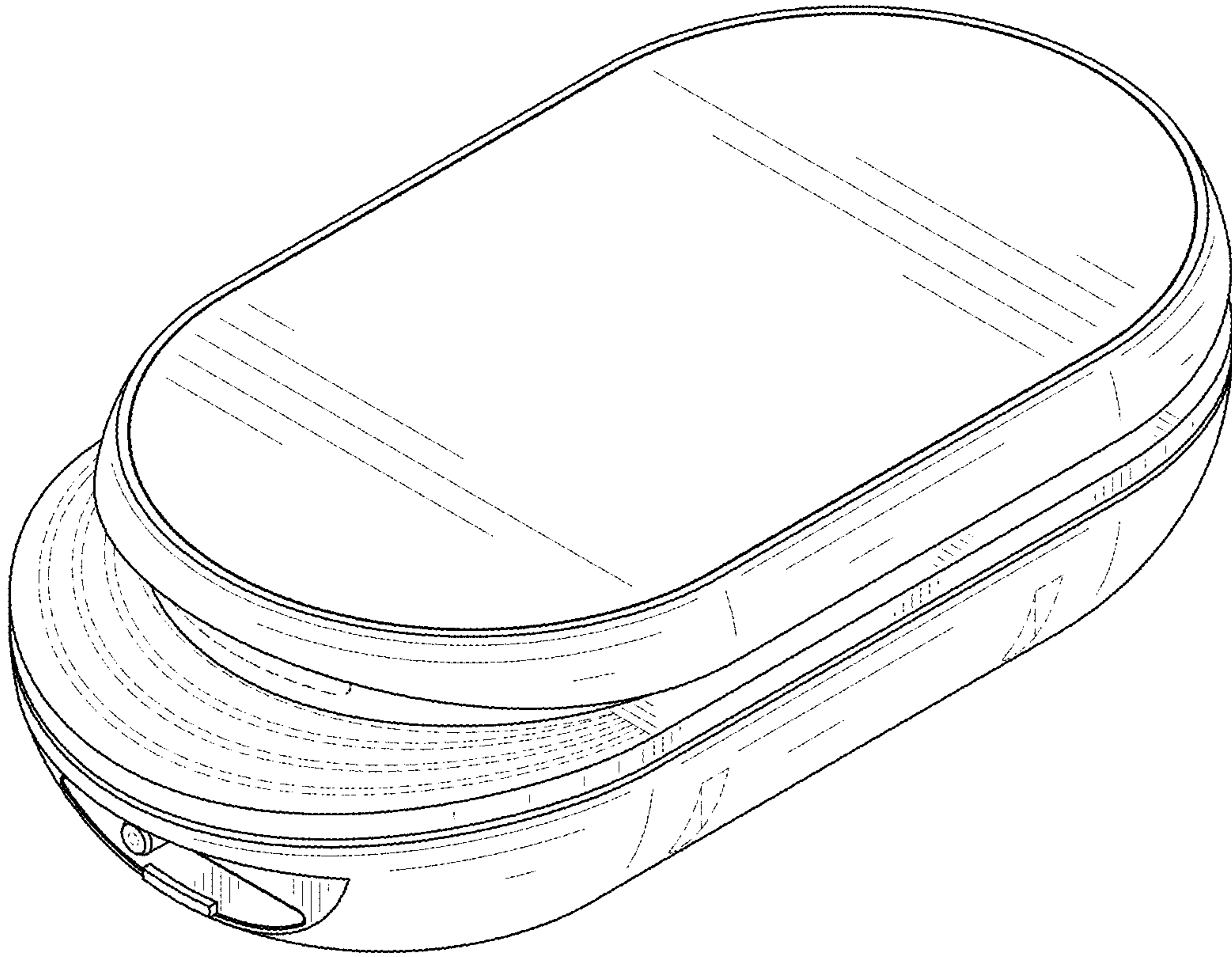


FIG. 1

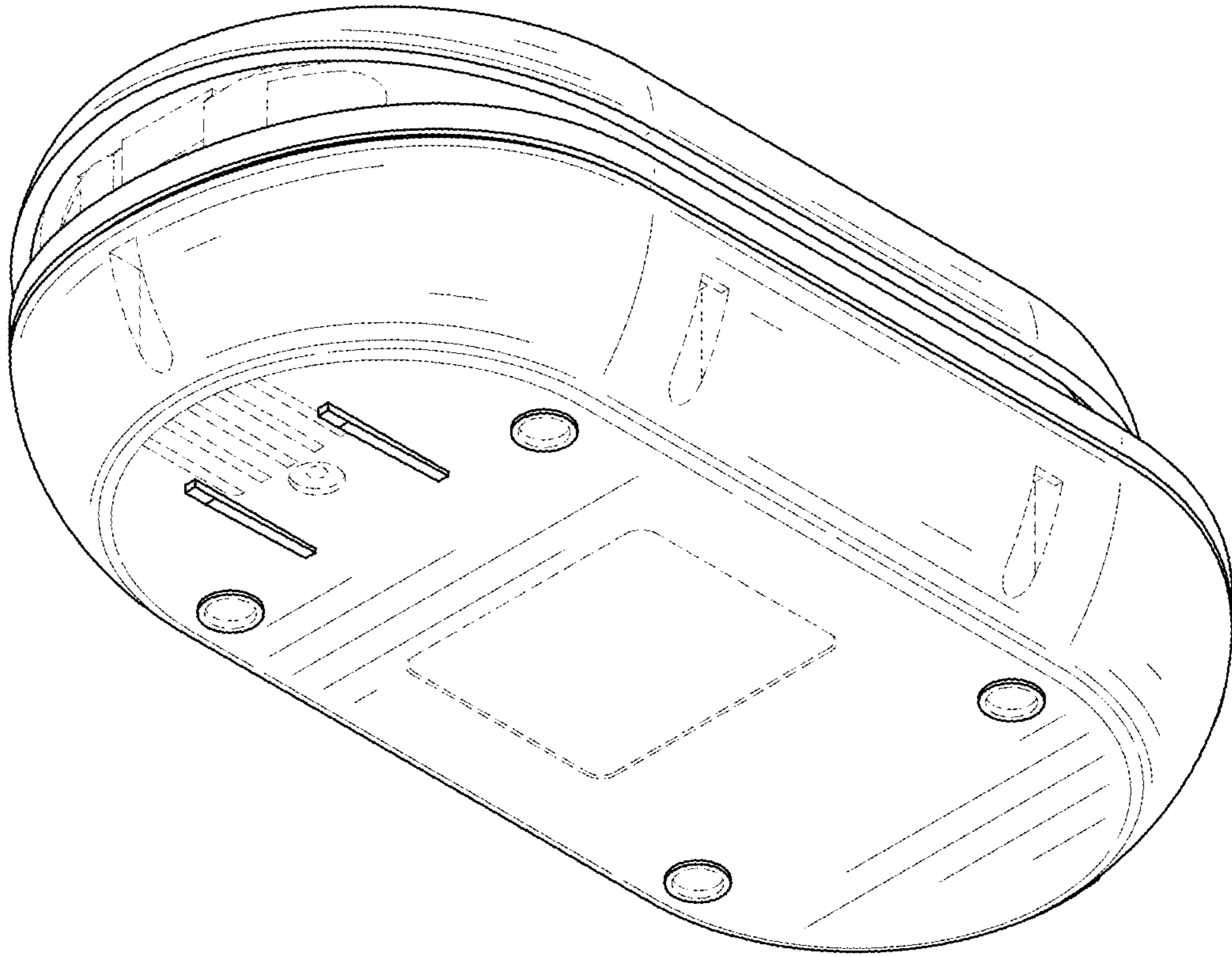


FIG. 2

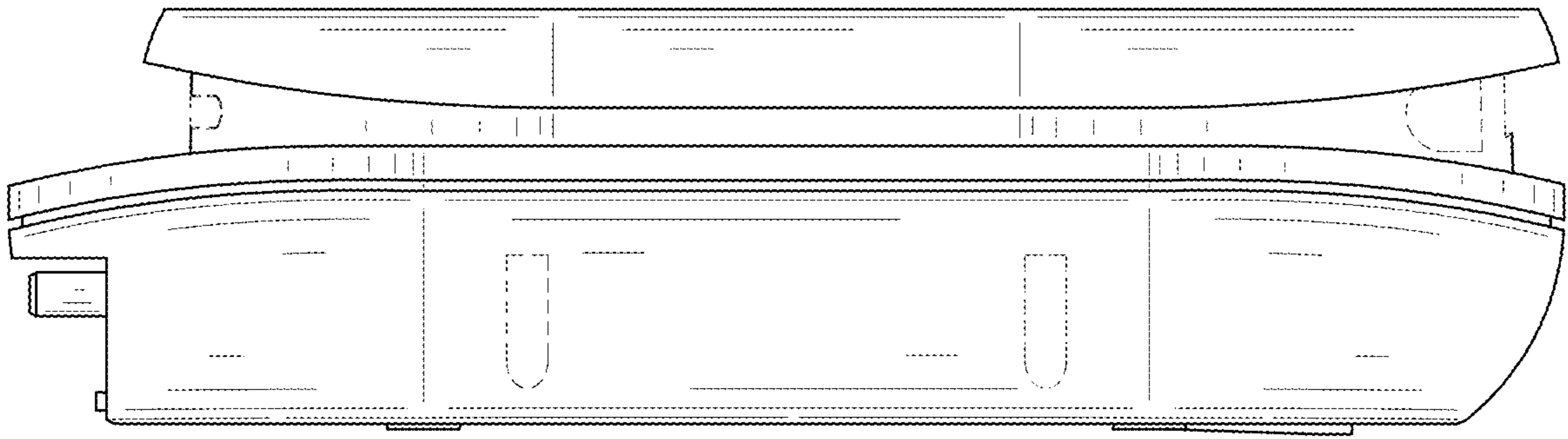


FIG. 3

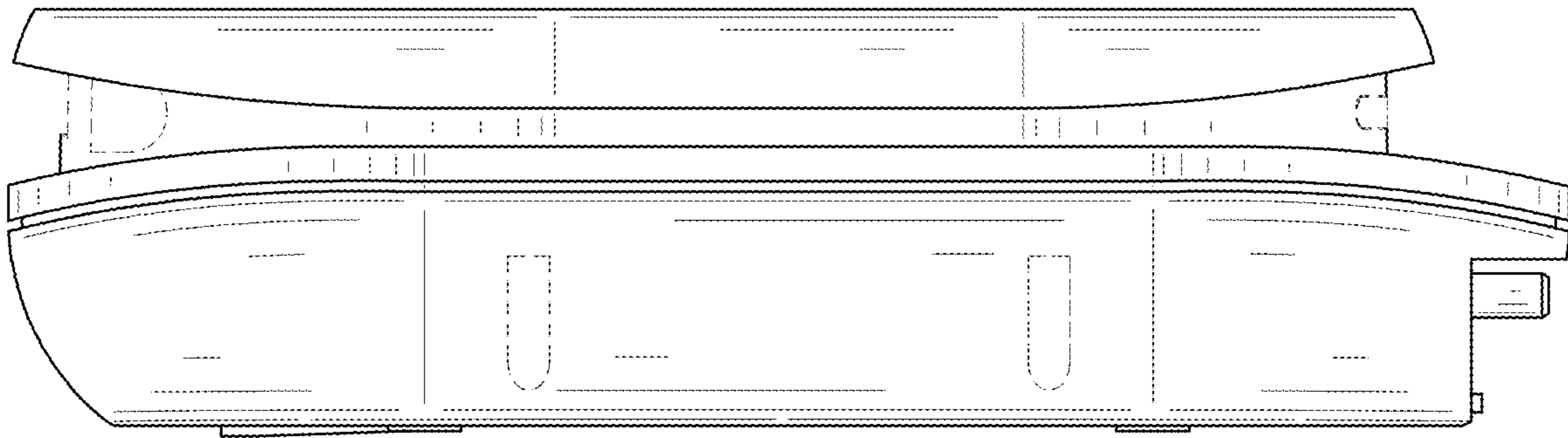


FIG. 4

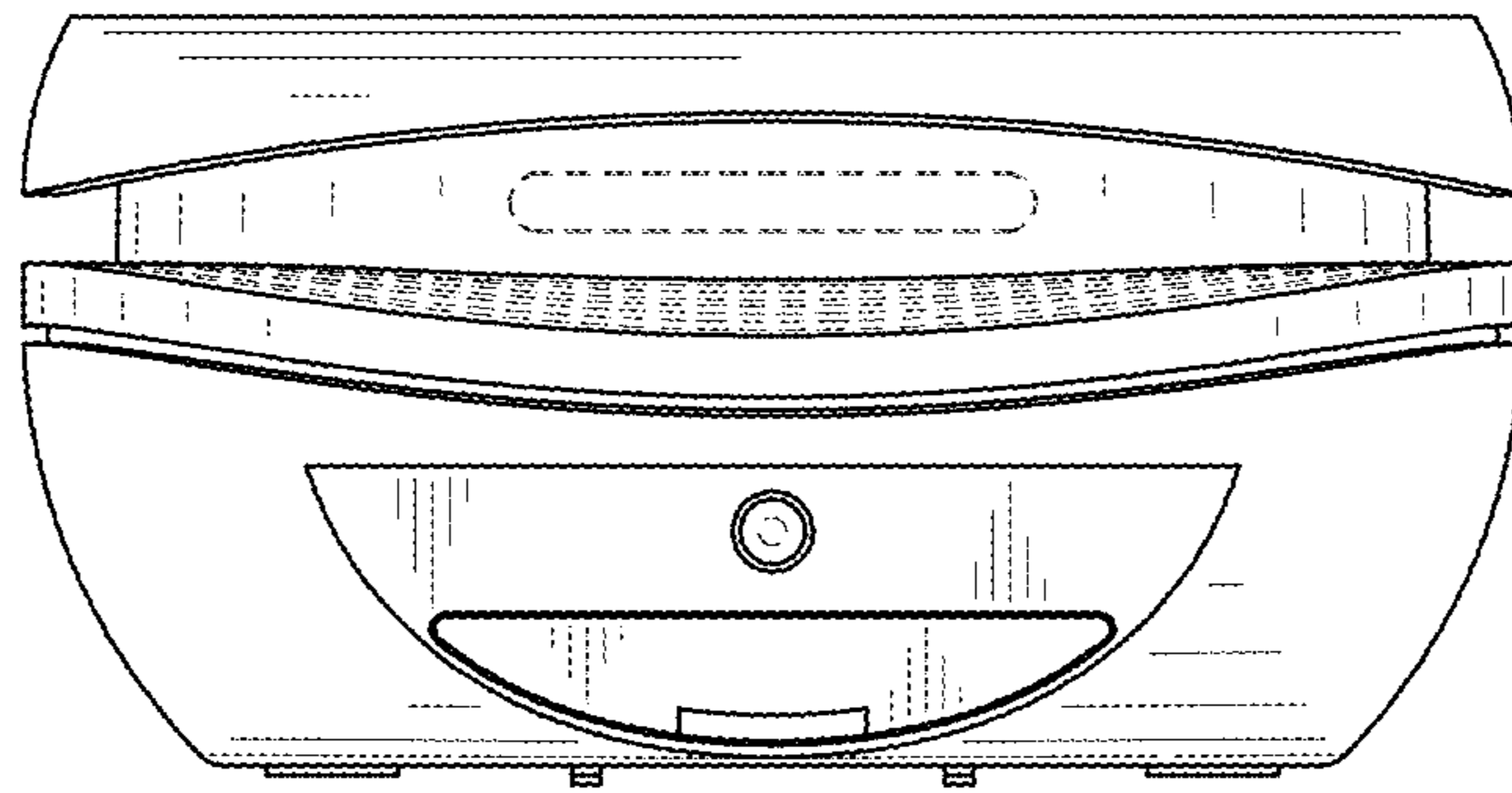


FIG. 5

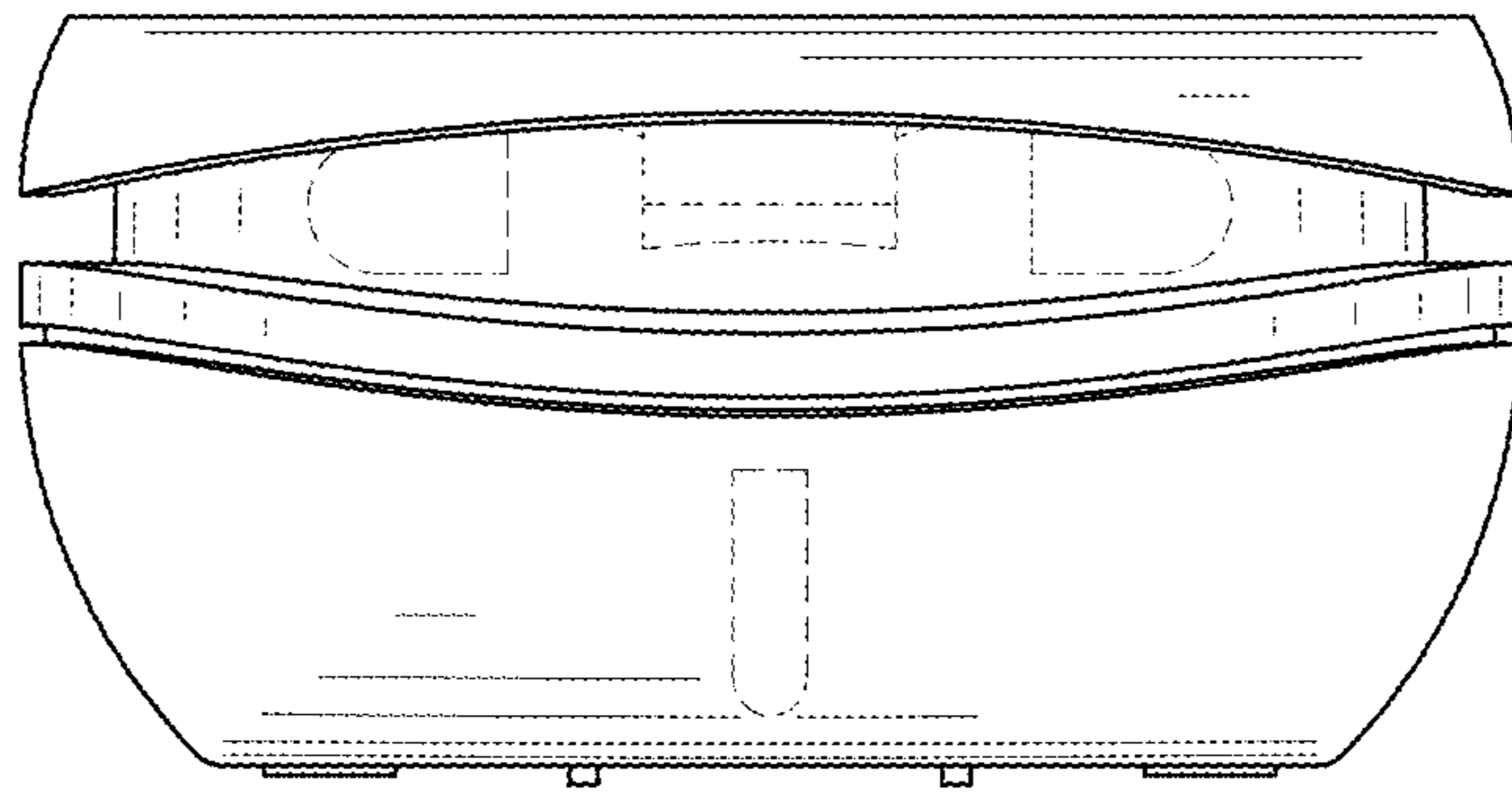


FIG. 6

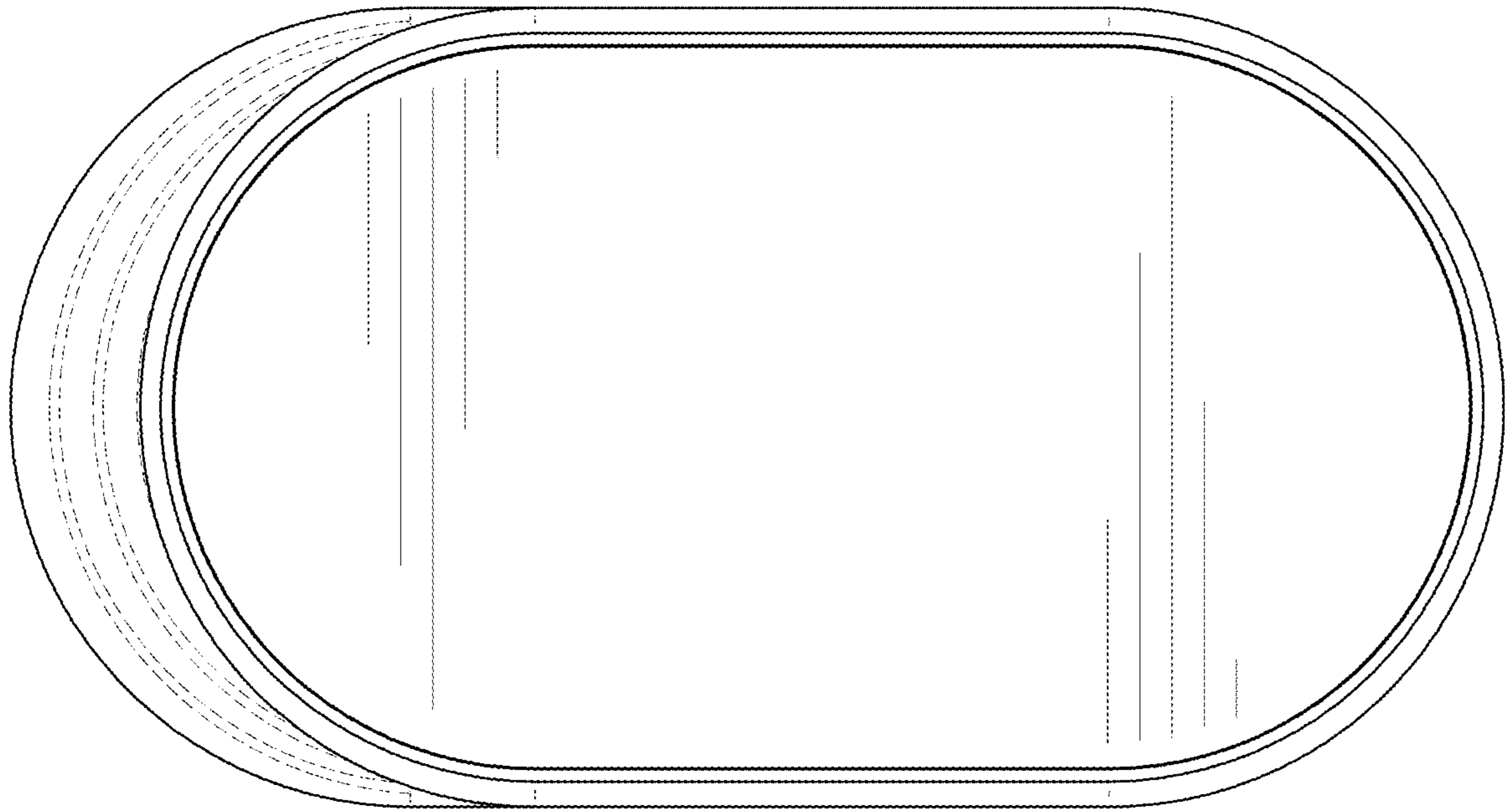


FIG. 7



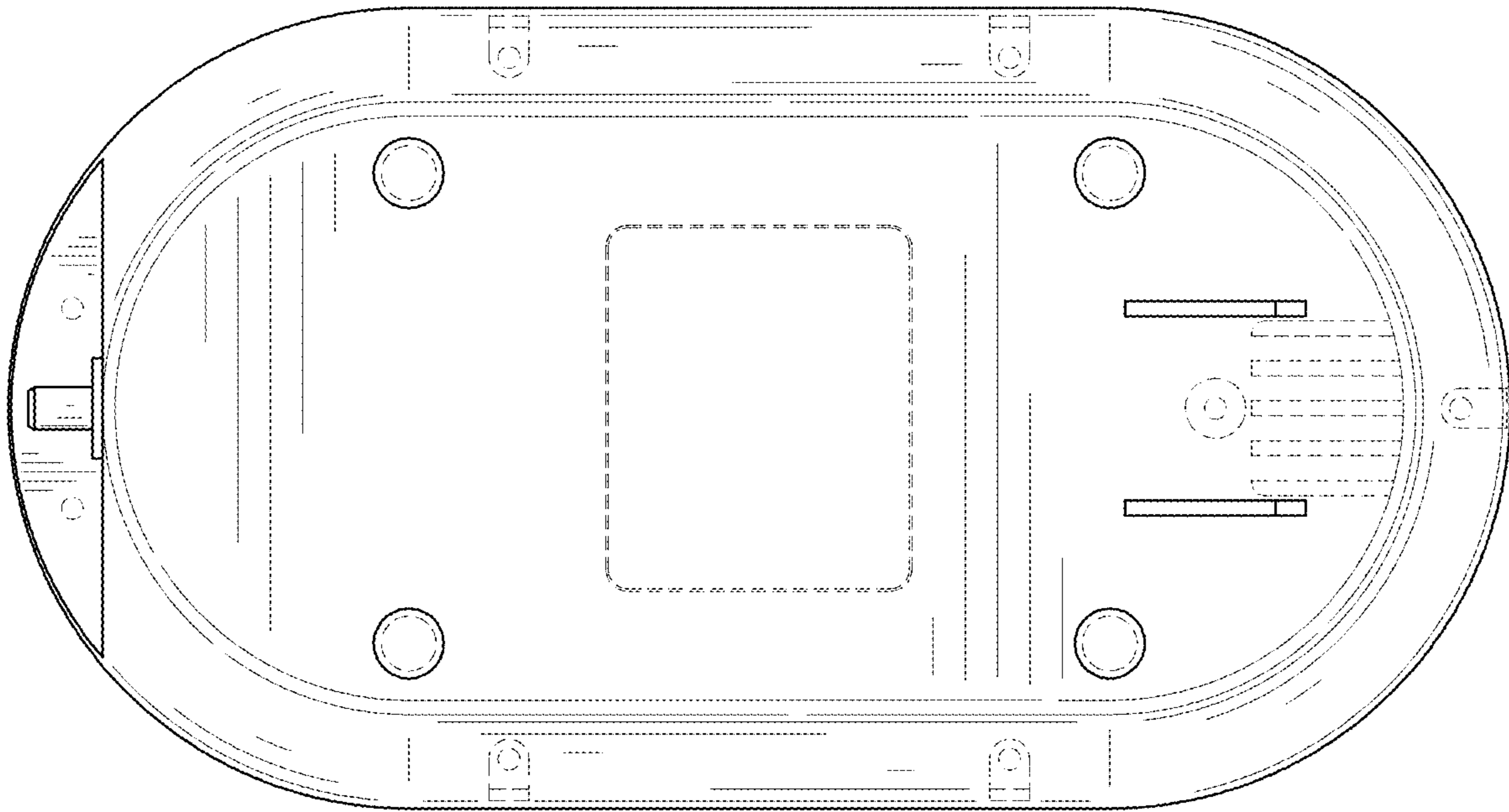


FIG. 8