



US00D929564S

(12) **United States Design Patent** (10) **Patent No.:** **US D929,564 S**
Lee (45) **Date of Patent:** **** Aug. 31, 2021**

(54) **BREAST PUMP**

(71) Applicant: **PUMPABLES PTE. LTD**, Singapore (SG)

(72) Inventor: **Banhee Lee**, Hwasung-si (KR)

(73) Assignee: **PUMPABLES PTE. LTD**, Singapore (SG)

(**) Term: **15 Years**

(21) Appl. No.: **29/674,593**

(22) Filed: **Dec. 21, 2018**

(51) **LOC (13) Cl.** **24-02**

(52) **U.S. Cl.**
USPC **D24/109**

(58) **Field of Classification Search**
USPC D24/108, 109, 127; D9/500, 549;
604/74-76; D13/168; D14/203.2-203.7
CPC A61M 1/062; A61M 1/06; A61M 1/066;
A61M 1/064; A61J 9/00; A61J 9/001
See application file for complete search history.

(56) **References Cited**

U.S. PATENT DOCUMENTS

D424,577 S *	5/2000	Backs	D13/168
D565,174 S *	3/2008	Pukall	D24/109
D573,249 S *	7/2008	Solberg	D24/109
D576,268 S *	9/2008	Solberg	D24/109
D576,269 S *	9/2008	Solberg	D24/109
D597,038 S *	7/2009	Glassman	D13/168
D681,802 S *	5/2013	Marks	D24/109
D695,885 S *	12/2013	Thomas	D24/109
D708,643 S *	7/2014	Akana	D14/496
D719,928 S *	12/2014	Birger	D14/203.3
D744,086 S *	11/2015	Yamashita	D24/109
D759,121 S *	6/2016	Akana	D14/496
D759,804 S *	6/2016	Singh	D24/108

(Continued)

Primary Examiner — Sheryl Lane
Assistant Examiner — Aula Soroush

(74) *Attorney, Agent, or Firm* — JCIP; Joseph G. Chu; Jeremy I. Maynard

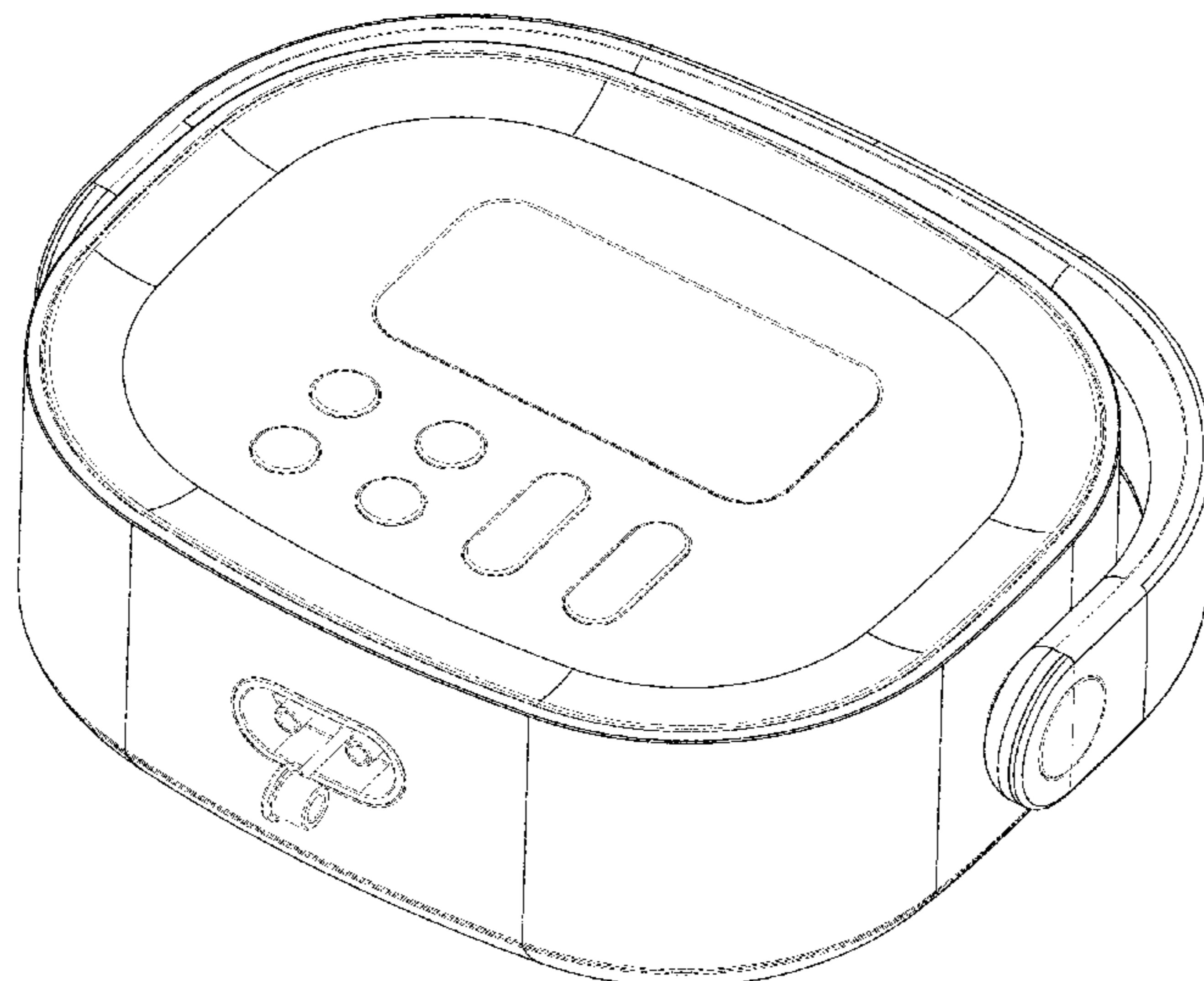
(57) **CLAIM**

The ornamental design for a breast pump, as shown and described.

DESCRIPTION

FIG. 1 is a top perspective view of a breast pump with a handle in a down position;
FIG. 2 is a front elevation view of the breast pump with the handle in the down position;
FIG. 3 is a rear elevation view of the breast pump with the handle in the down position;
FIG. 4 is a top plan view of the breast pump with the handle in the down position;
FIG. 5 is a bottom plan view of the breast pump with the handle in the down position;
FIG. 6 is a left side elevation view of the breast pump with the handle in the down position;
FIG. 7 is a right side elevation view of the breast pump with the handle in the down position;
FIG. 8 is a top perspective of the breast pump with the handle in a raised position;
FIG. 9 is a front elevation view of the breast pump with the handle in the raised position;
FIG. 10 is a rear elevation view of the breast pump with the handle in the raised position;
FIG. 11 is a top plan view of the breast pump with the handle in the raised position;
FIG. 12 is a bottom plan view of the breast pump with the handle in the raised position;
FIG. 13 is a left side elevation view of the breast pump with the handle in the raised position; and,
FIG. 14 is a right side elevation view of the breast pump with the handle in the raised position.
Evenly spaced broken lines represent portions of the breast pump that form no part of the claimed design.

1 Claim, 14 Drawing Sheets



(56)

References Cited

U.S. PATENT DOCUMENTS

D776,270 S * 1/2017 Wilcox D24/127
D794,770 S * 8/2017 Wu D24/108

* cited by examiner

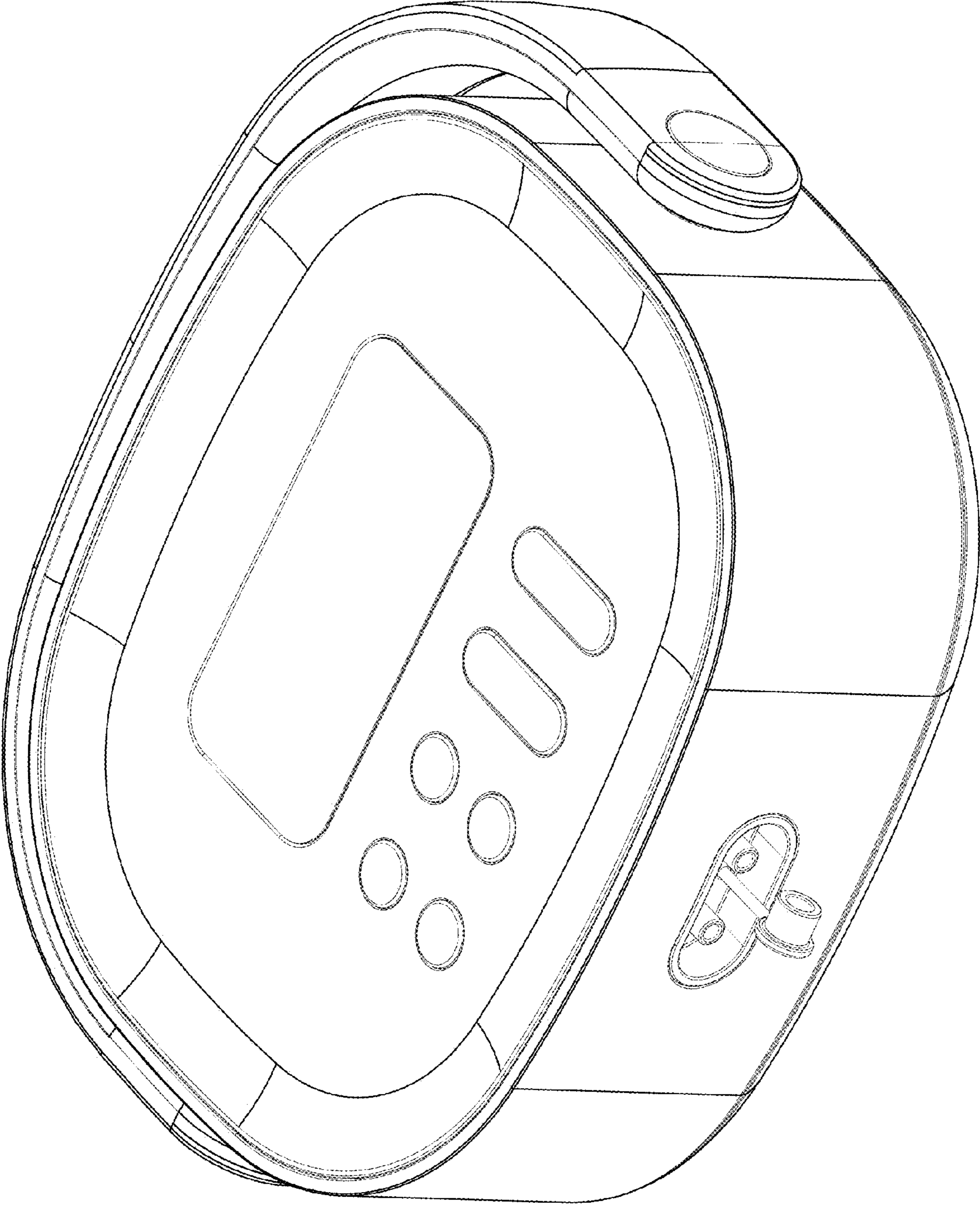


Fig. 1

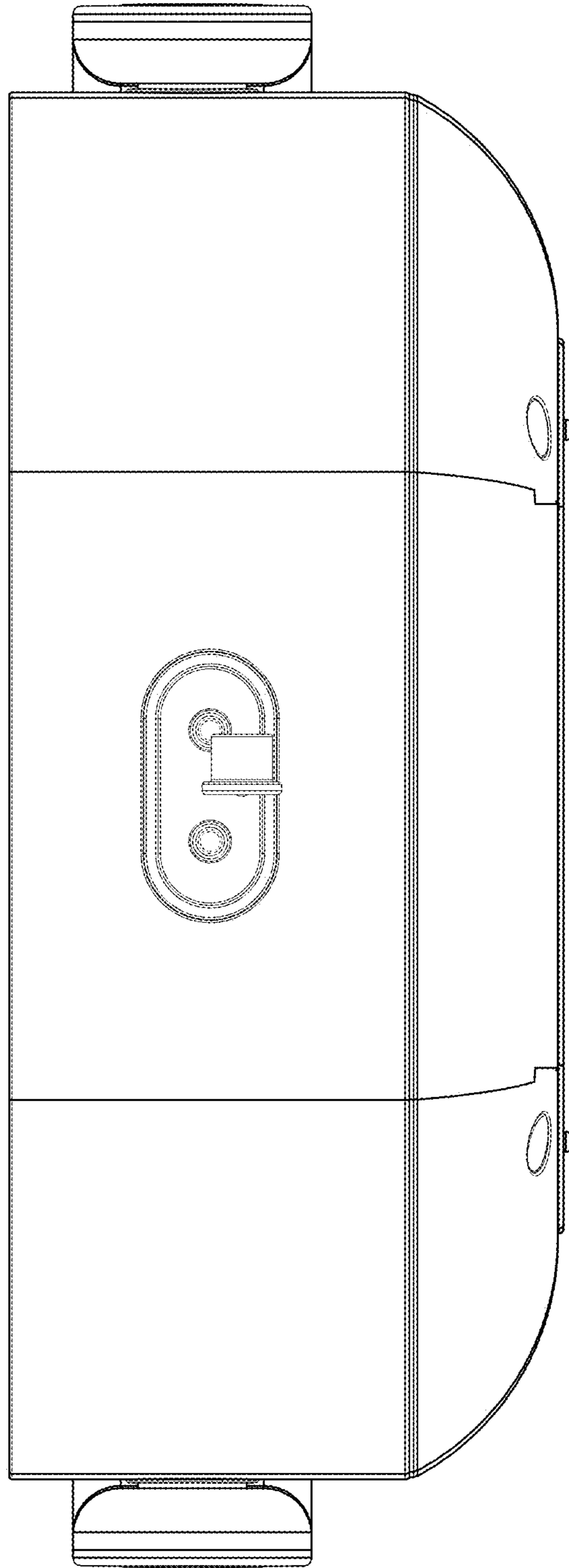


Fig. 2

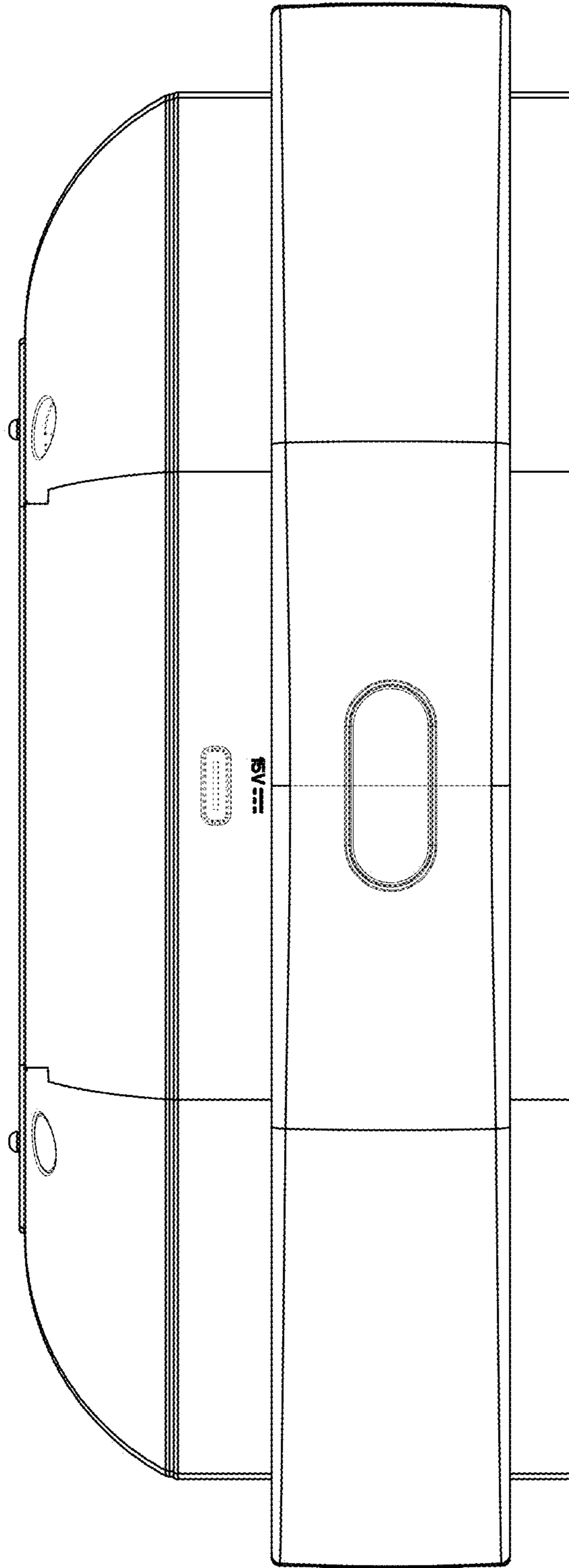


Fig. 3

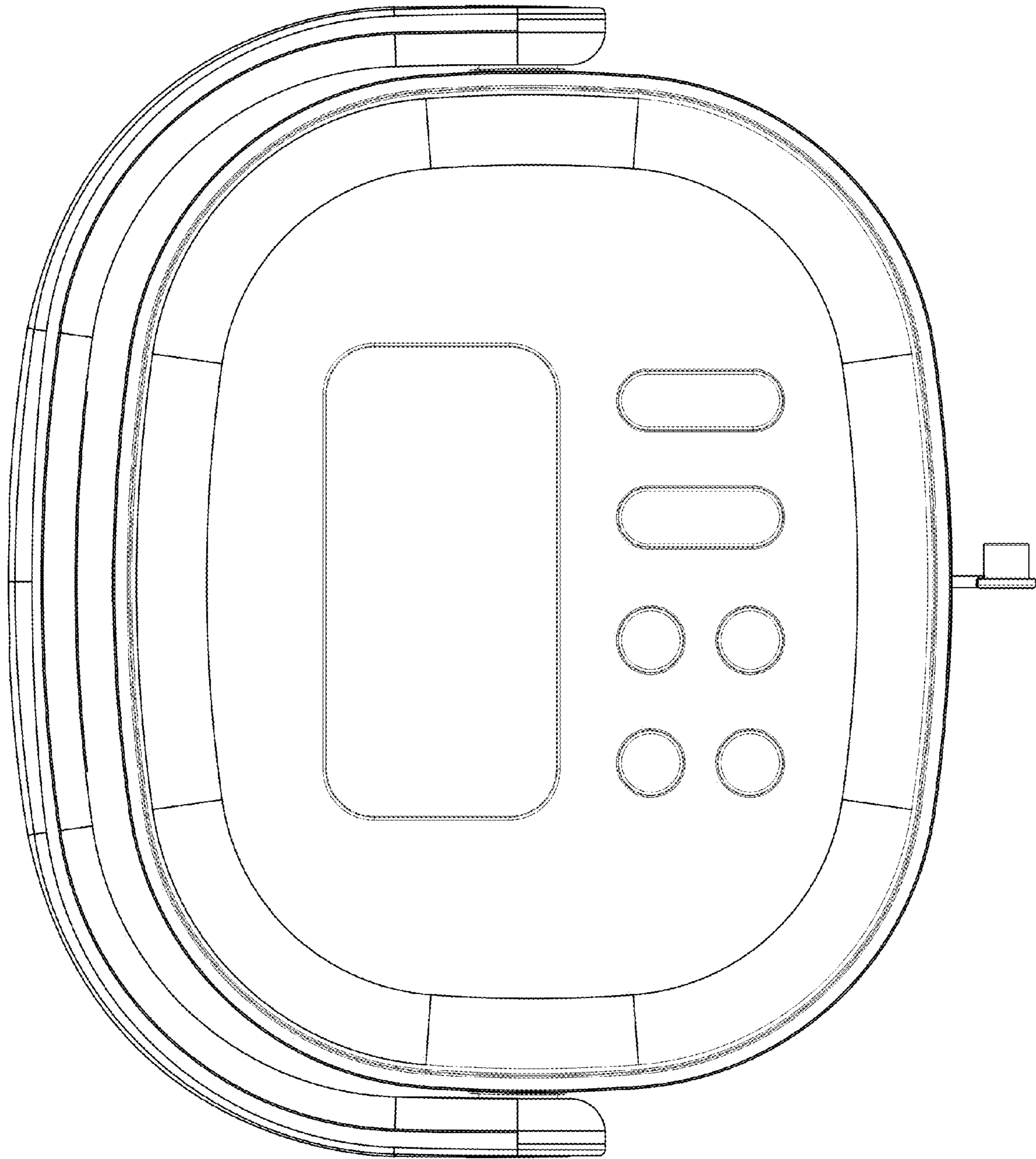


Fig. 4

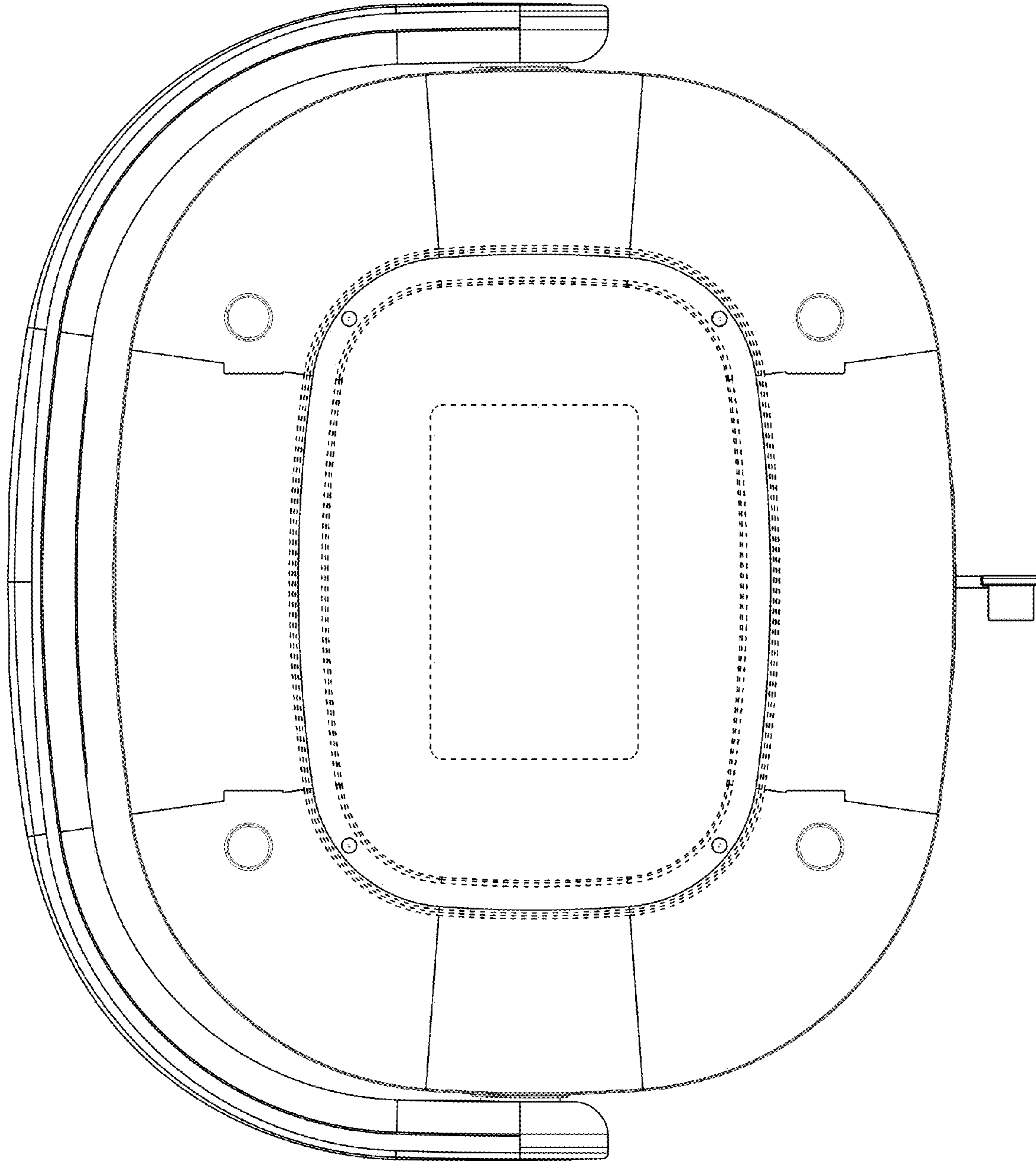


Fig. 5

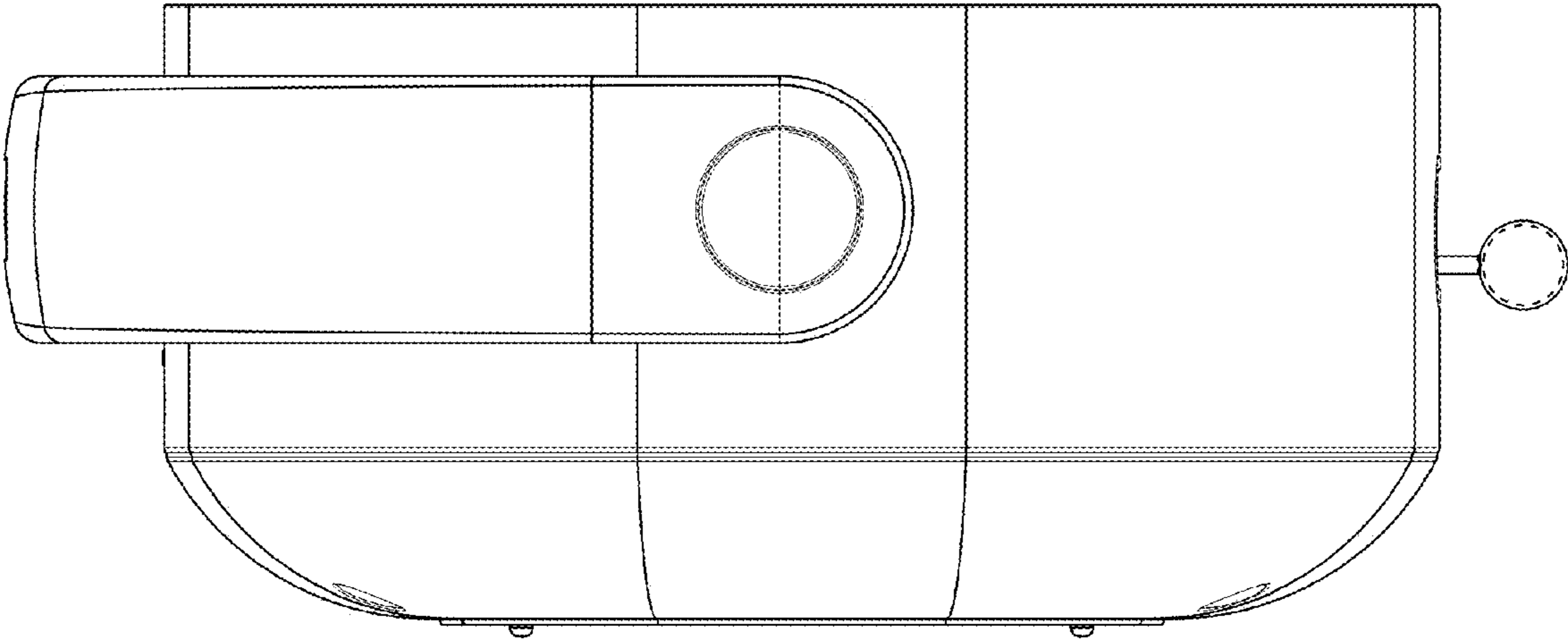


Fig. 6

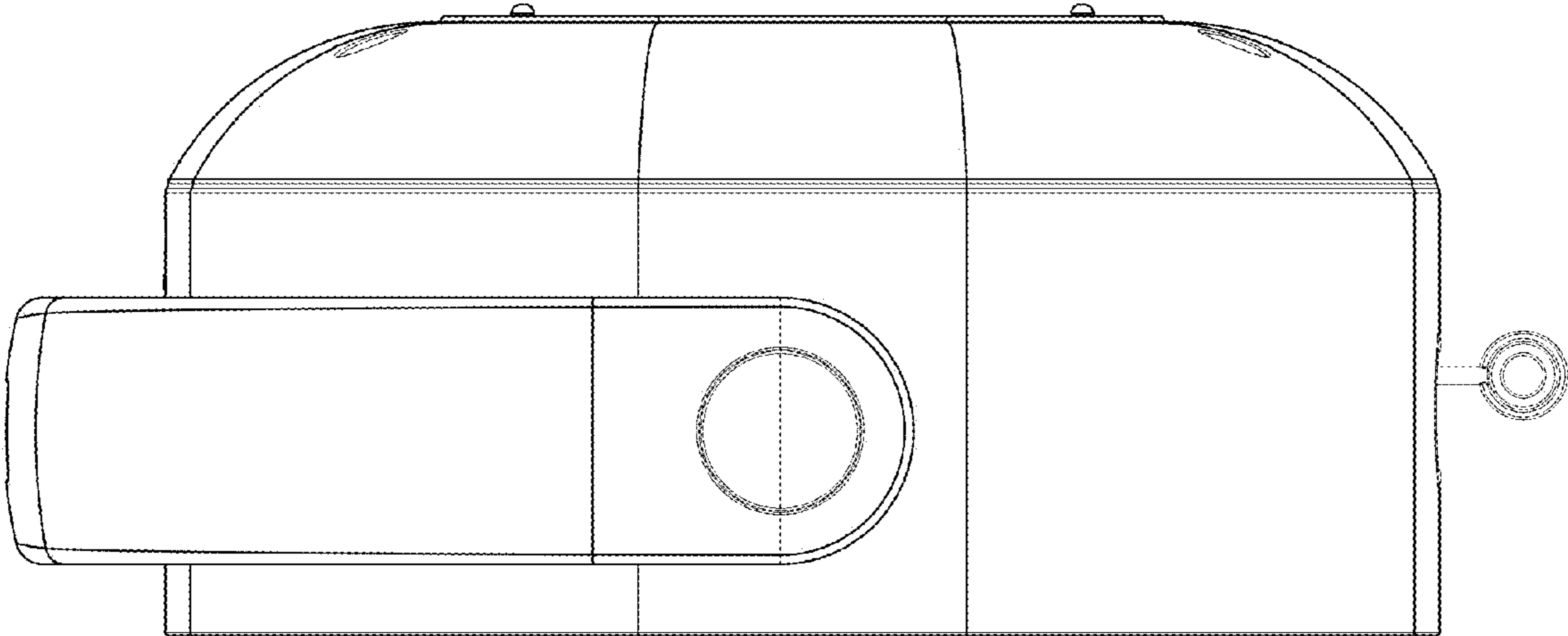


Fig. 7

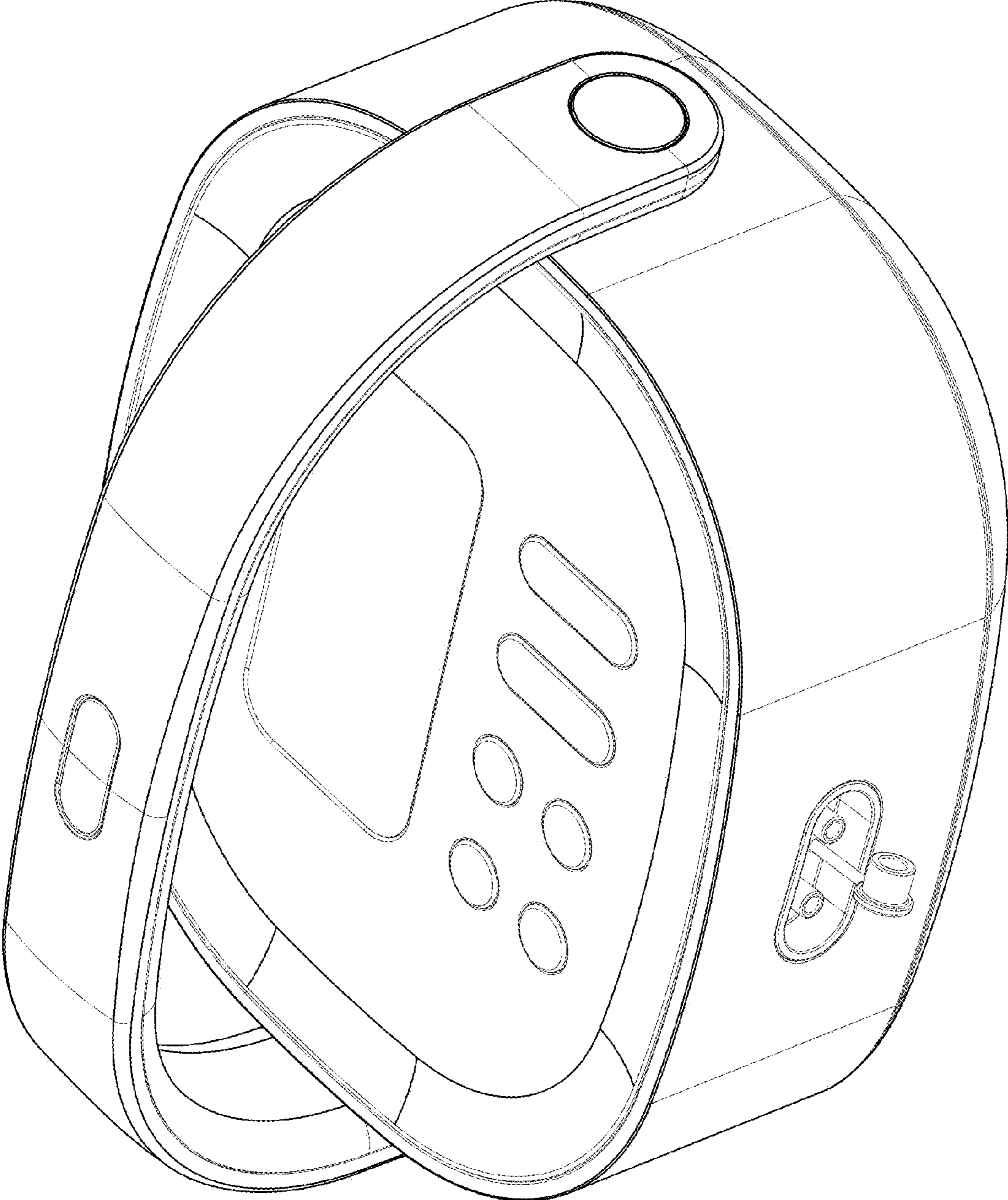


Fig. 8

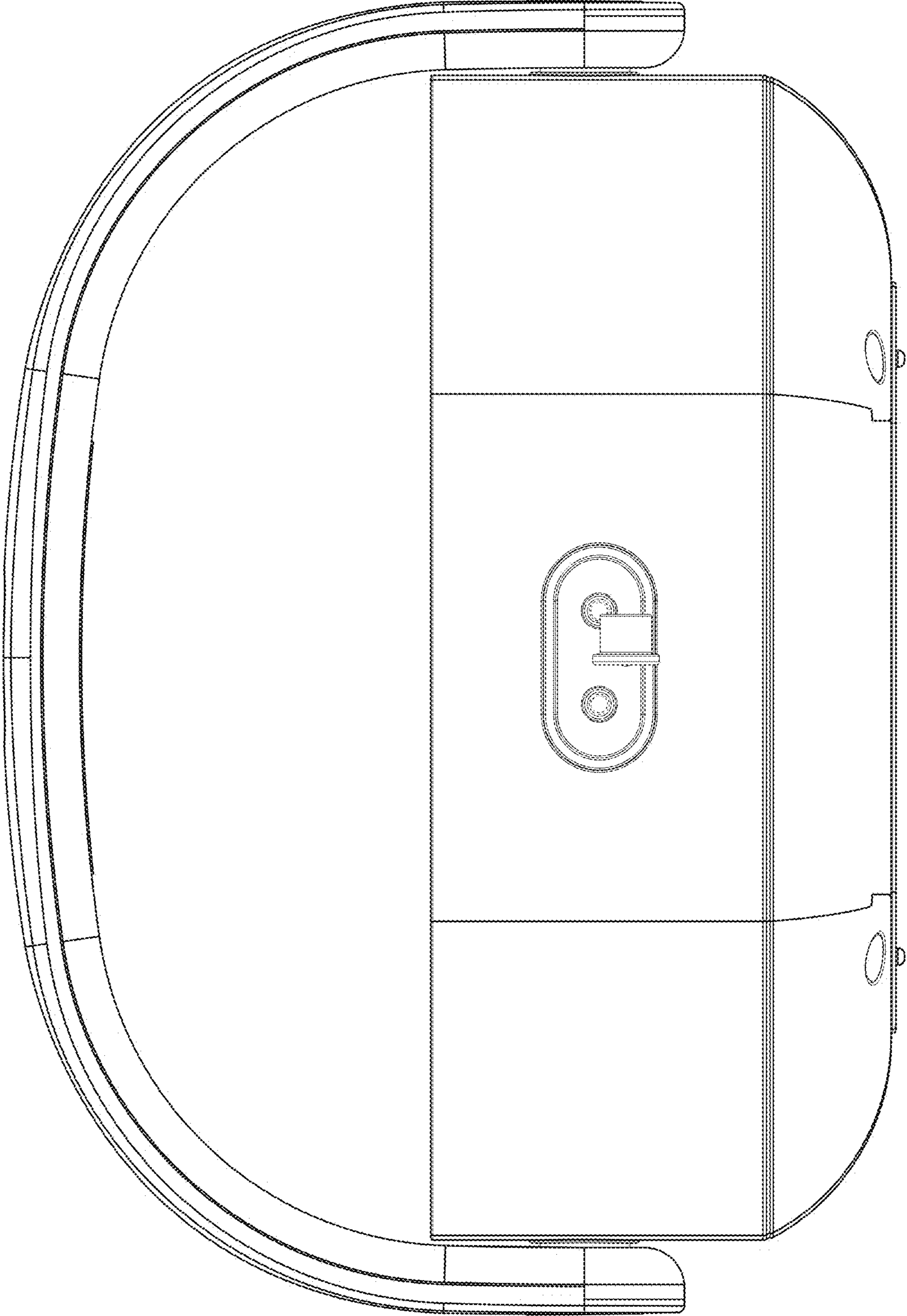


Fig. 9

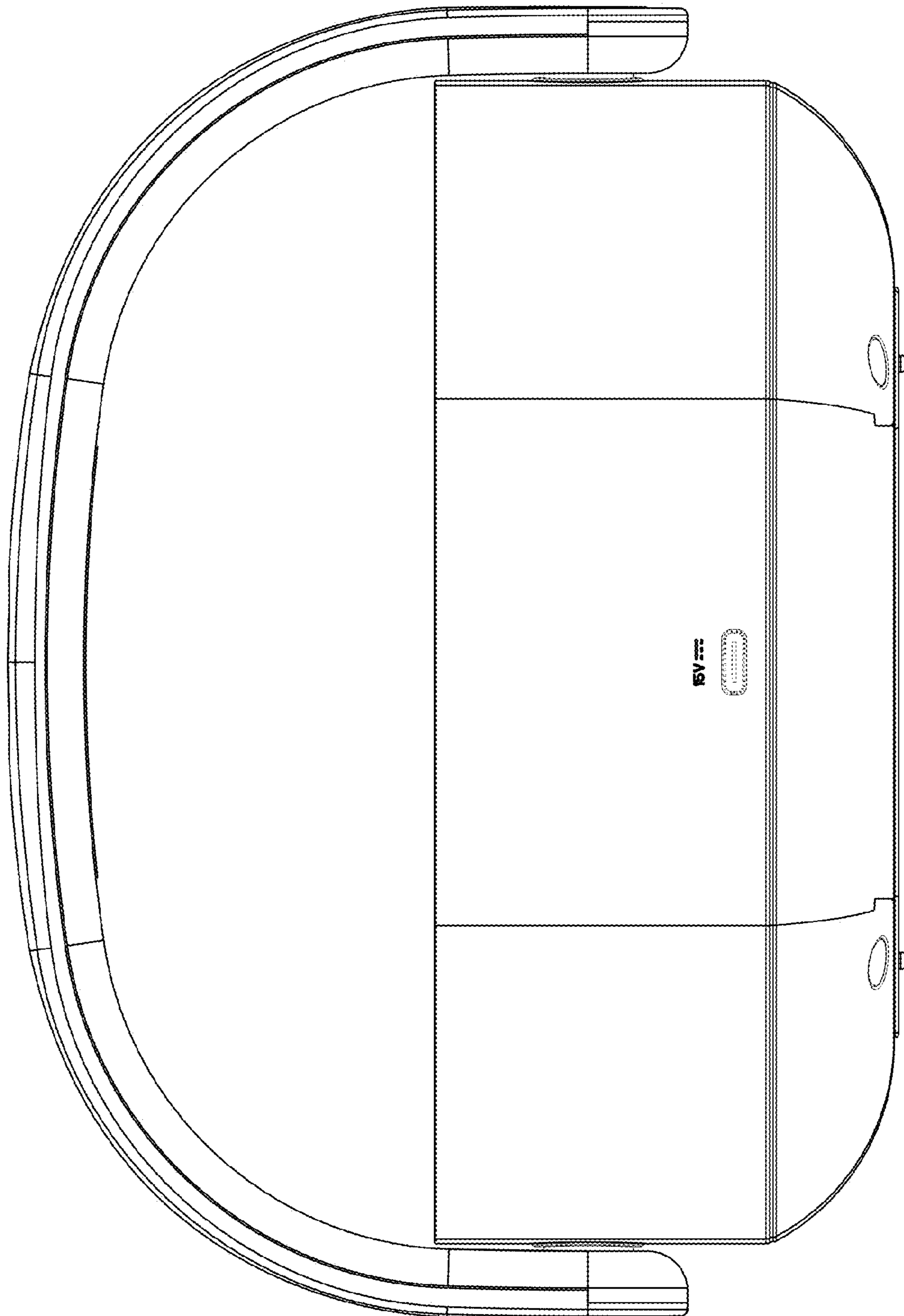


Fig. 10

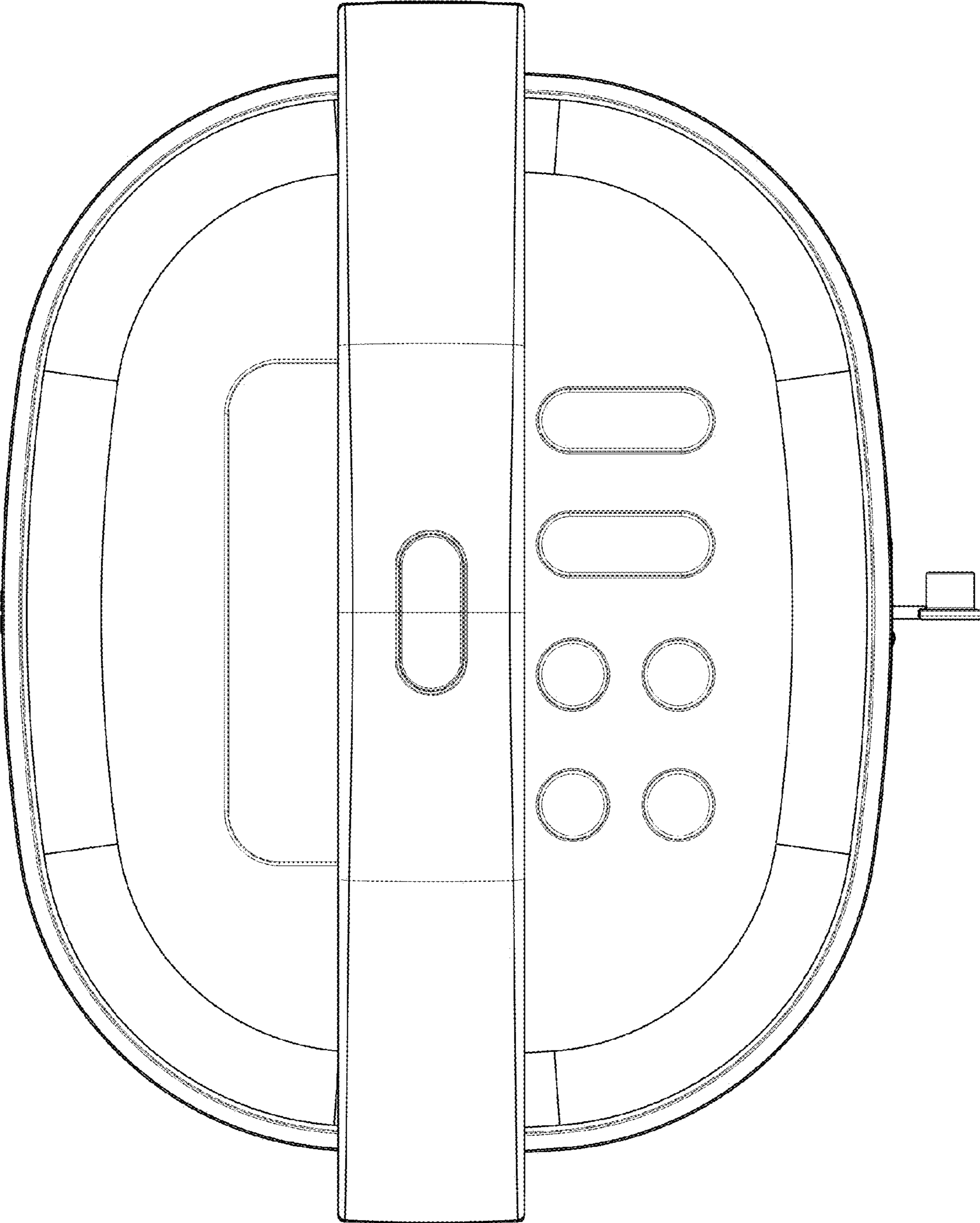


Fig. 11

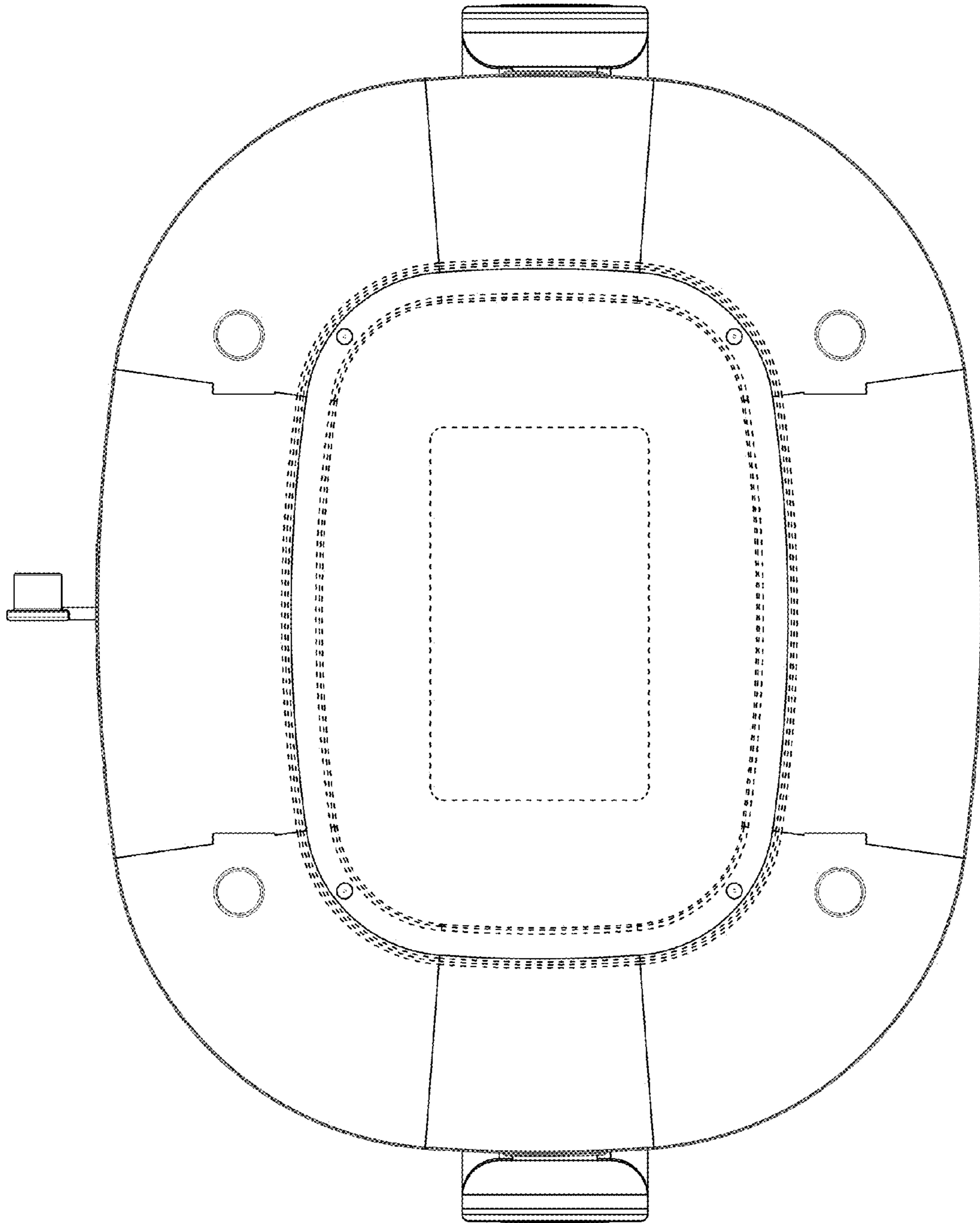


Fig. 12

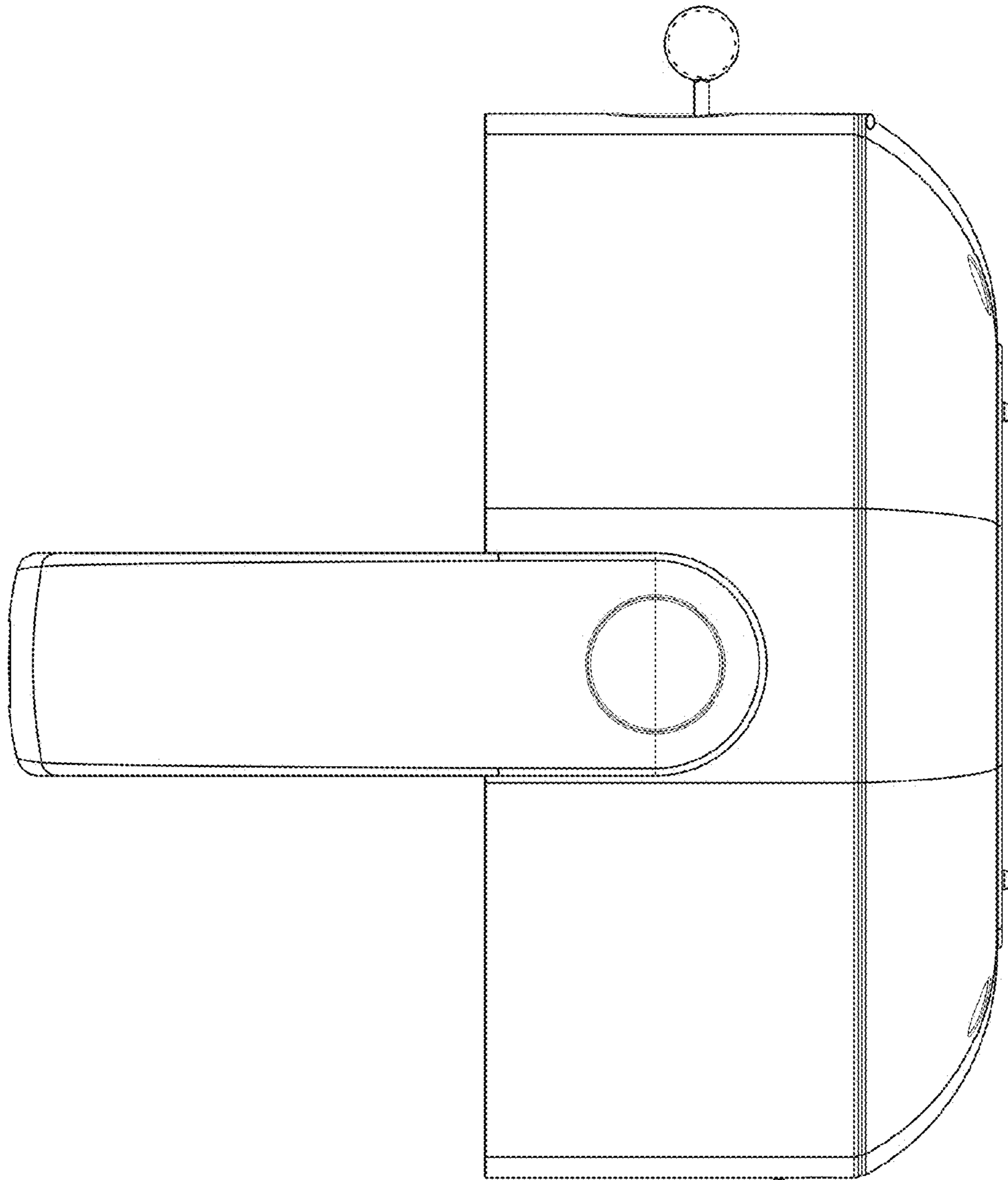


Fig. 13

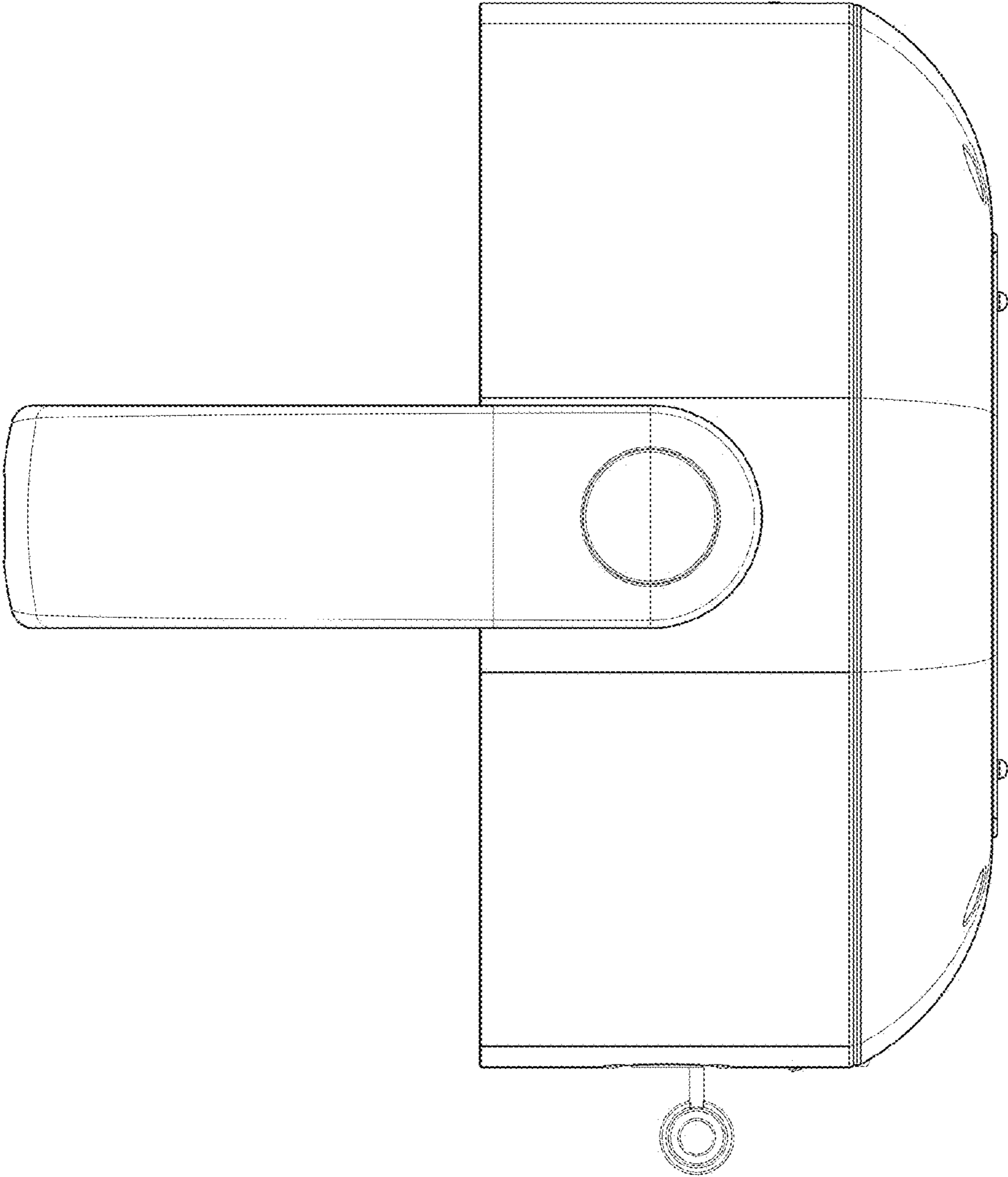


Fig. 14