



US00D929563S

(12) **United States Design Patent**
Biancuzzo

(10) **Patent No.:** **US D929,563 S**

(45) **Date of Patent:** **** Aug. 31, 2021**

(54) **CEILING FAN MOTOR HOUSING**

D876,612 S * 2/2020 Hidalgo D23/411
D879,940 S * 3/2020 Orozco D23/411
D903,849 S * 12/2020 Li D23/377

(71) Applicant: **AIR COOL INDUSTRIAL CO., LTD.**, Taichung (TW)

* cited by examiner

(72) Inventor: **Francisco Biancuzzo**, Davie, FL (US)

Primary Examiner — Janice Hallmark

(73) Assignee: **AIR COOL INDUSTRIAL CO., LTD.**, Taichung (TW)

(74) *Attorney, Agent, or Firm* — Pai Patent & Trademark Law Firm; Chao-Chang David Pai

(**) Term: **15 Years**

(21) Appl. No.: **29/684,989**

(22) Filed: **Mar. 25, 2019**

(51) **LOC (13) Cl.** **23-04**

(52) **U.S. Cl.**
USPC **D23/411**

(58) **Field of Classification Search**
USPC D23/370, 377, 411; D26/59
CPC F21V 33/0092; F24F 2221/02
See application file for complete search history.

(57) **CLAIM**

The ornamental design for a ceiling fan motor housing, as shown and described.

DESCRIPTION

FIG. 1 is a front top perspective view of a ceiling fan motor housing showing my new design; FIG. 2 is a front elevational view thereof; FIG. 3 is a rear elevational view thereof; FIG. 4 is a left side elevational view thereof; FIG. 5 is a right side elevational view thereof; FIG. 6 is a top plan view thereof; FIG. 7 is a bottom plan view thereof; FIG. 8 is a front bottom perspective view thereof; and, FIG. 9 is a front end view of the ceiling fan motor housing in accordance with my design, shown in an environment thereof.

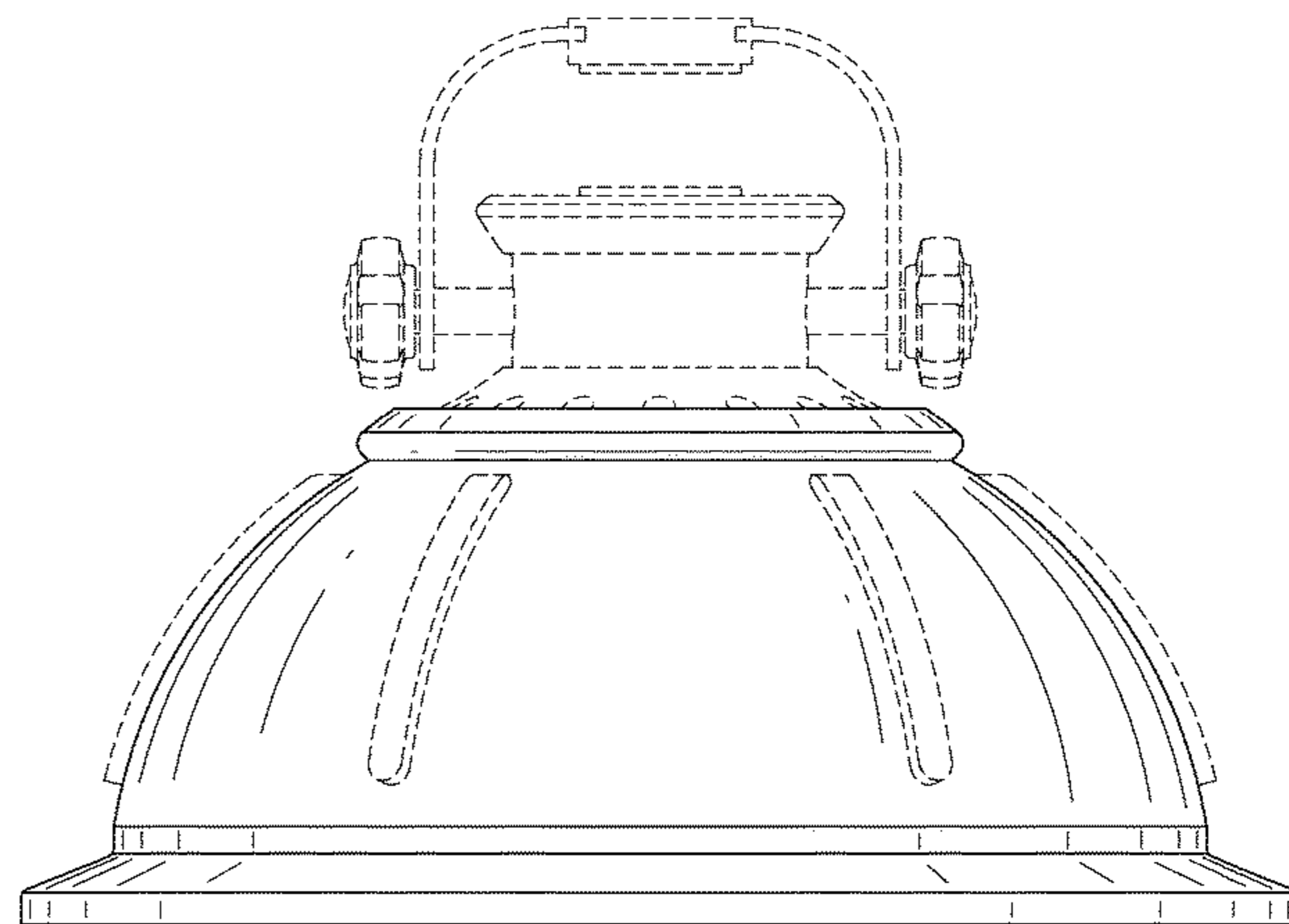
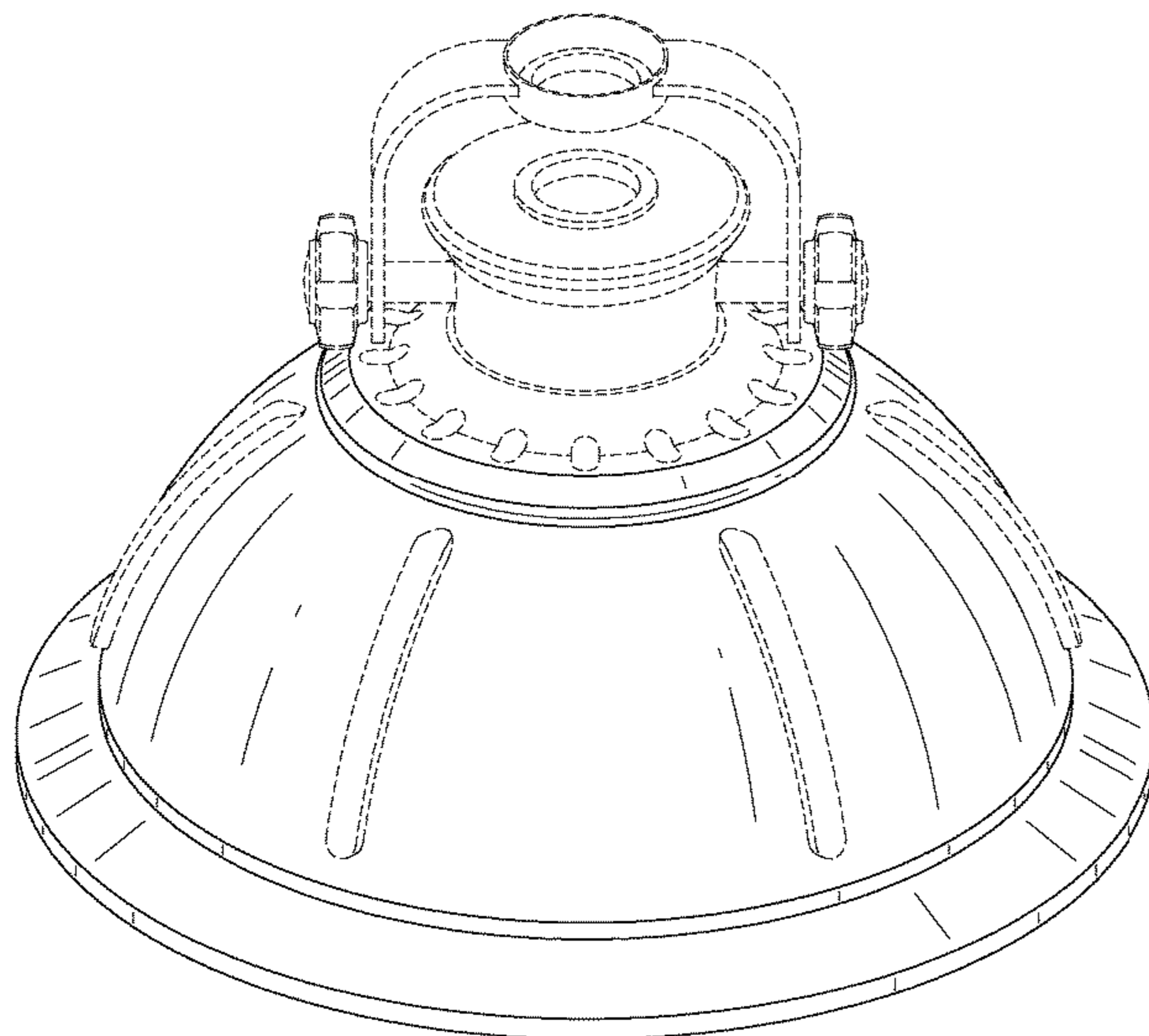
The broken lines illustrate portions of the ceiling fan motor housing and form no part of the claimed design.

1 Claim, 9 Drawing Sheets

(56) **References Cited**

U.S. PATENT DOCUMENTS

| | | | | |
|--------------|---------|-----------|-------|---------|
| D476,411 S * | 6/2003 | Friedes | | D23/411 |
| D488,554 S * | 4/2004 | Bacon | | D23/411 |
| D556,939 S * | 12/2007 | Gajewski | | D26/128 |
| D706,477 S * | 6/2014 | Wang | | D26/59 |
| D807,488 S * | 1/2018 | McRoberts | | D23/377 |
| D808,512 S * | 1/2018 | Hidalgo | | D23/411 |
| D812,215 S * | 3/2018 | Hidalgo | | D23/377 |
| D821,559 S * | 6/2018 | Hidalgo | | D23/377 |
| D846,728 S * | 4/2019 | Wang | | D23/382 |



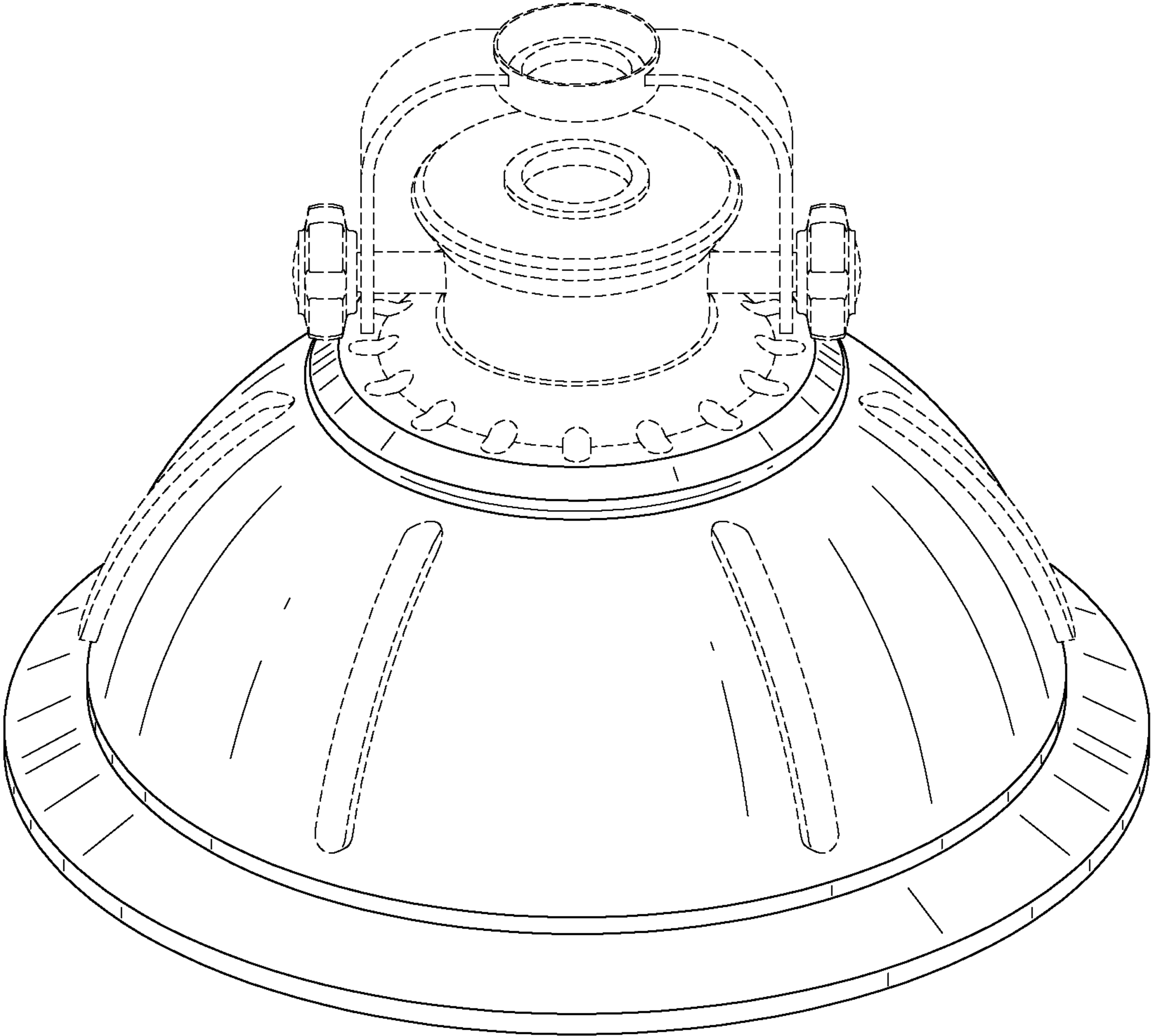


FIG. 1

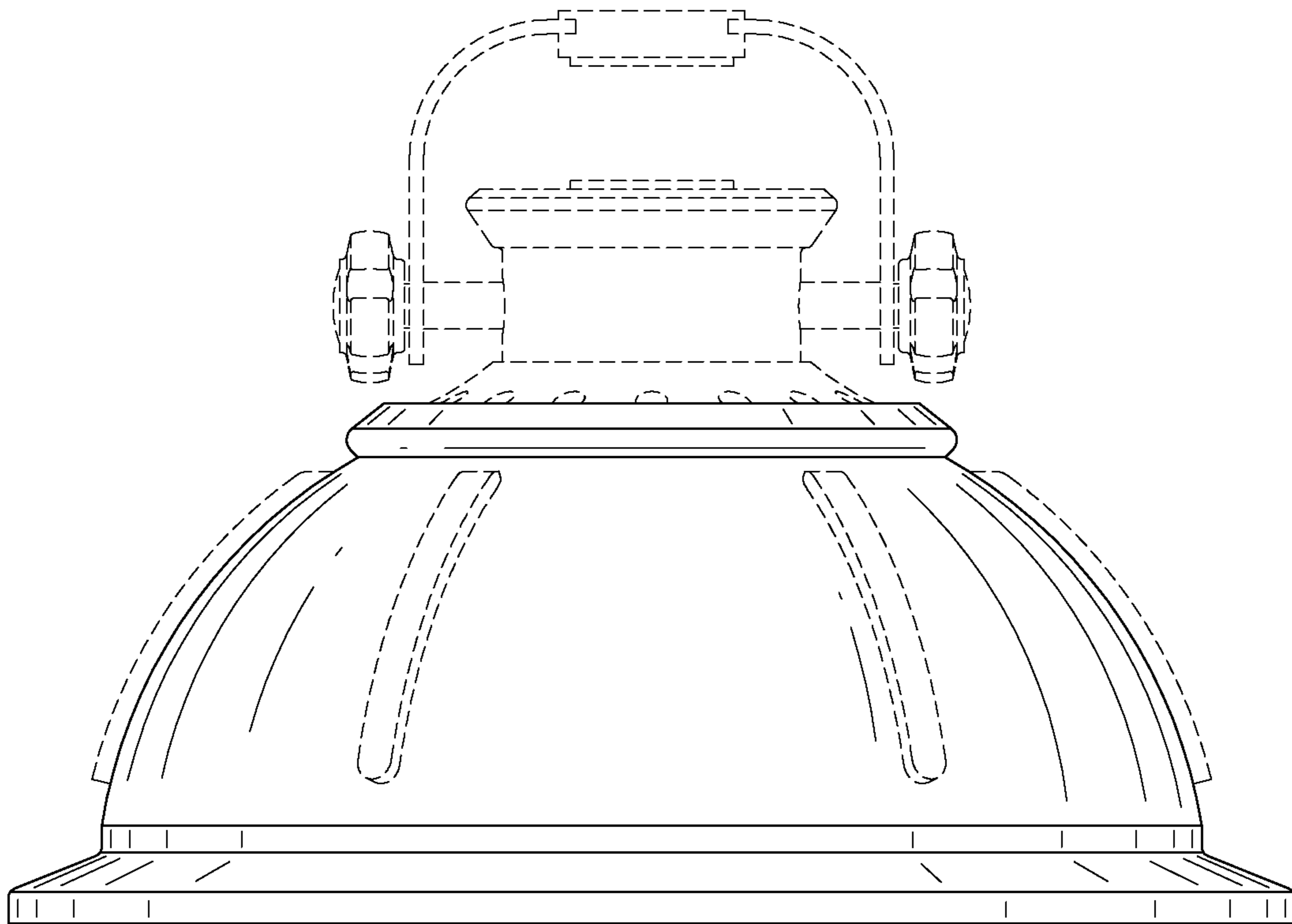


FIG. 2

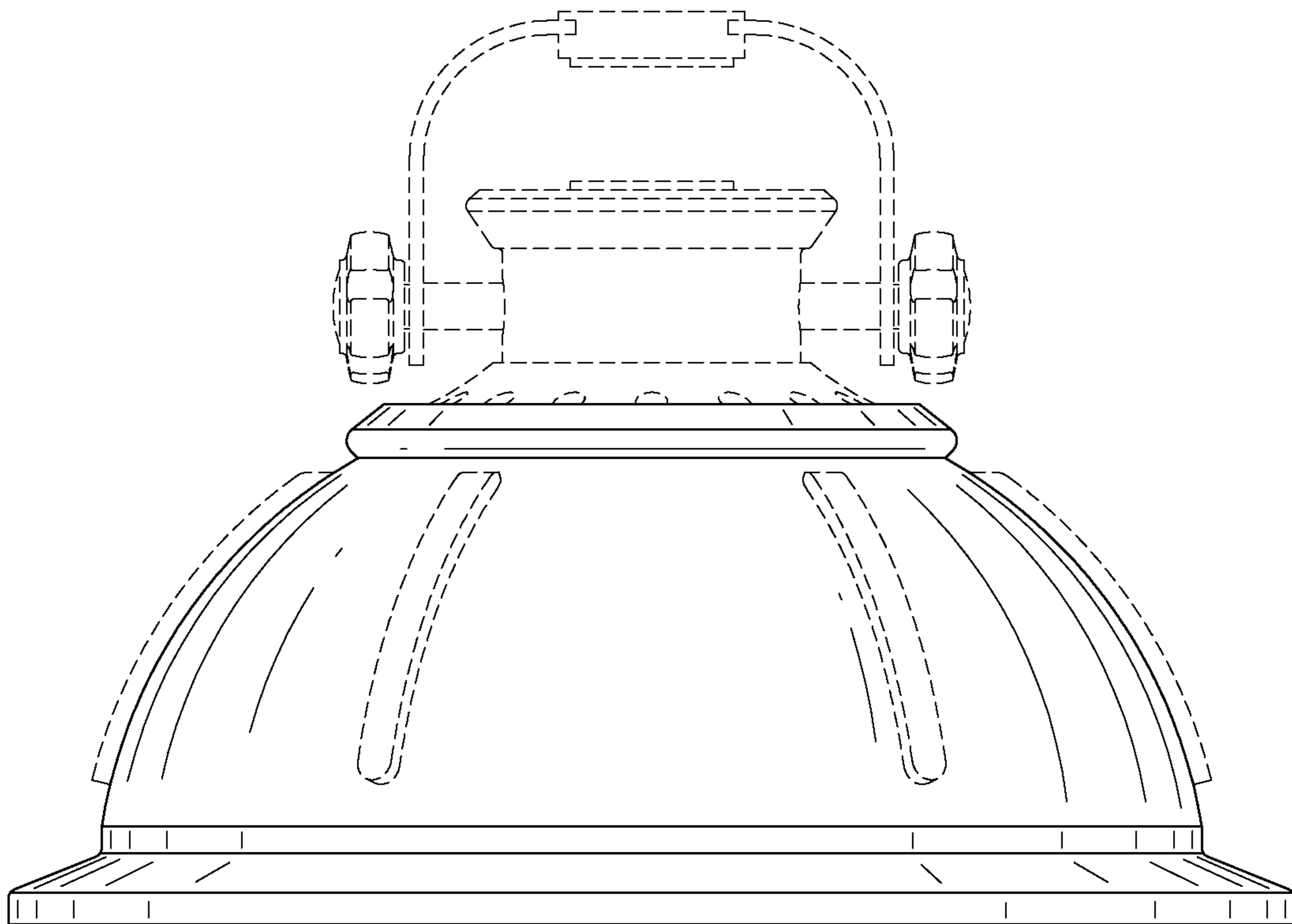


FIG. 3

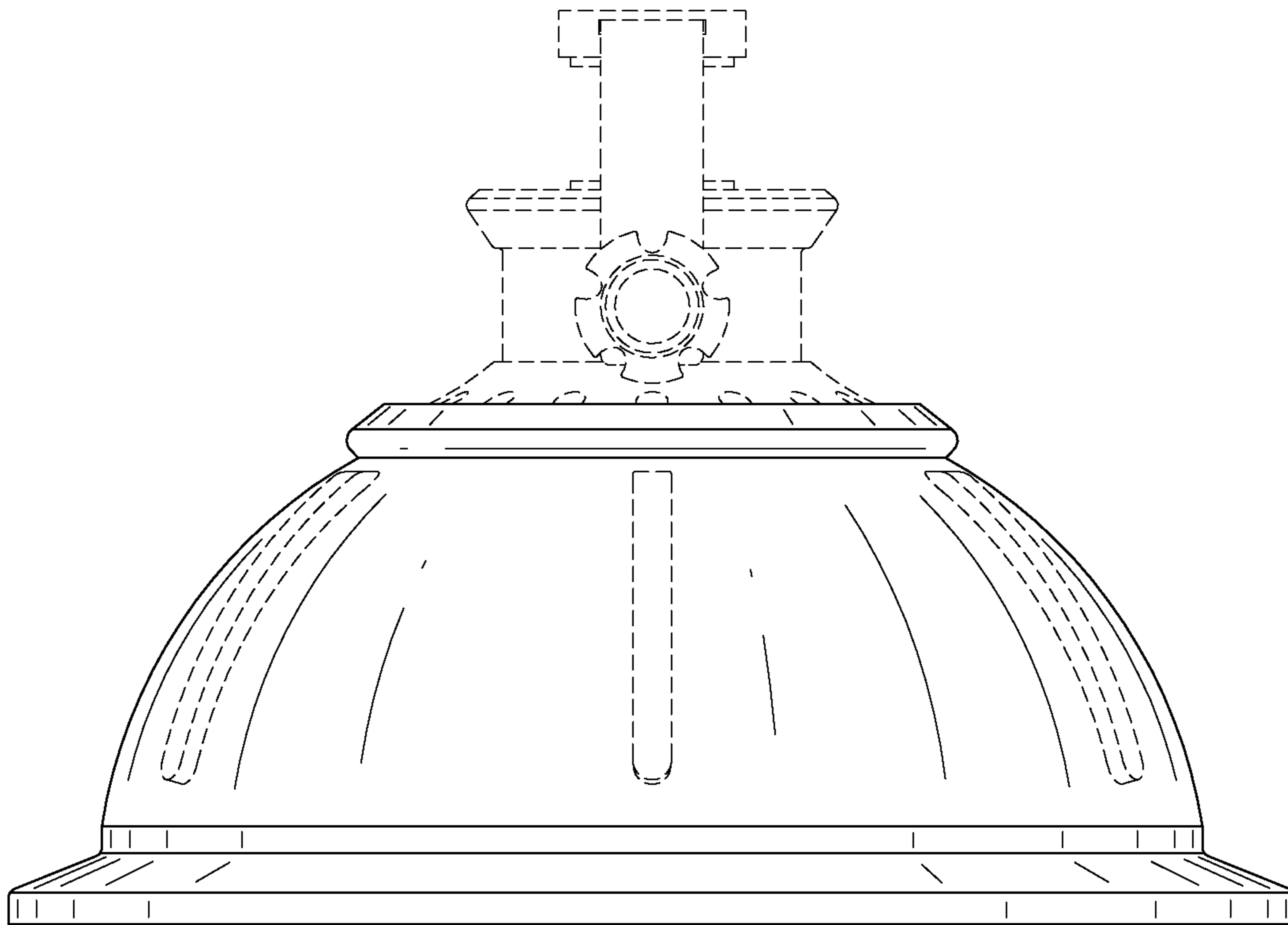


FIG. 4

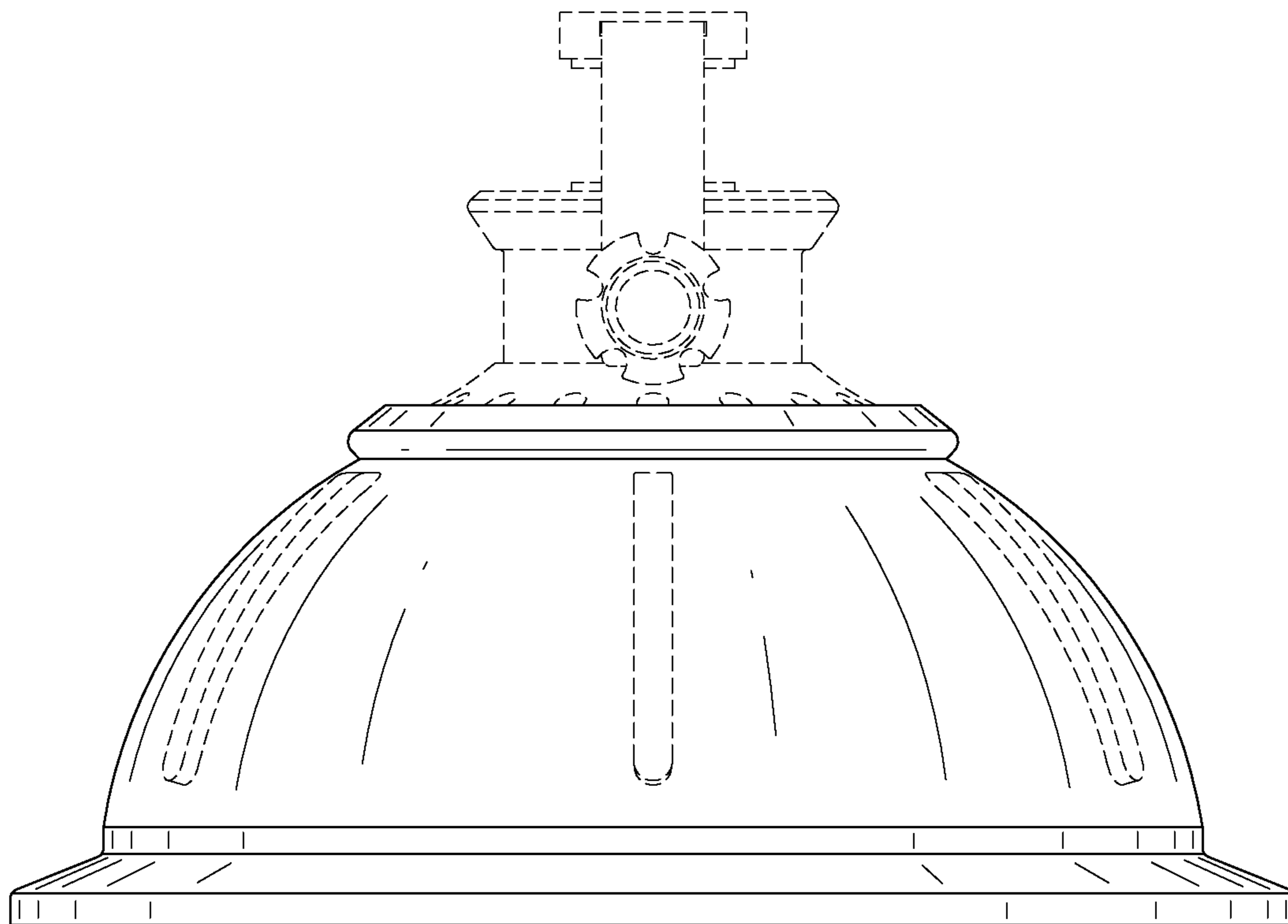


FIG. 5

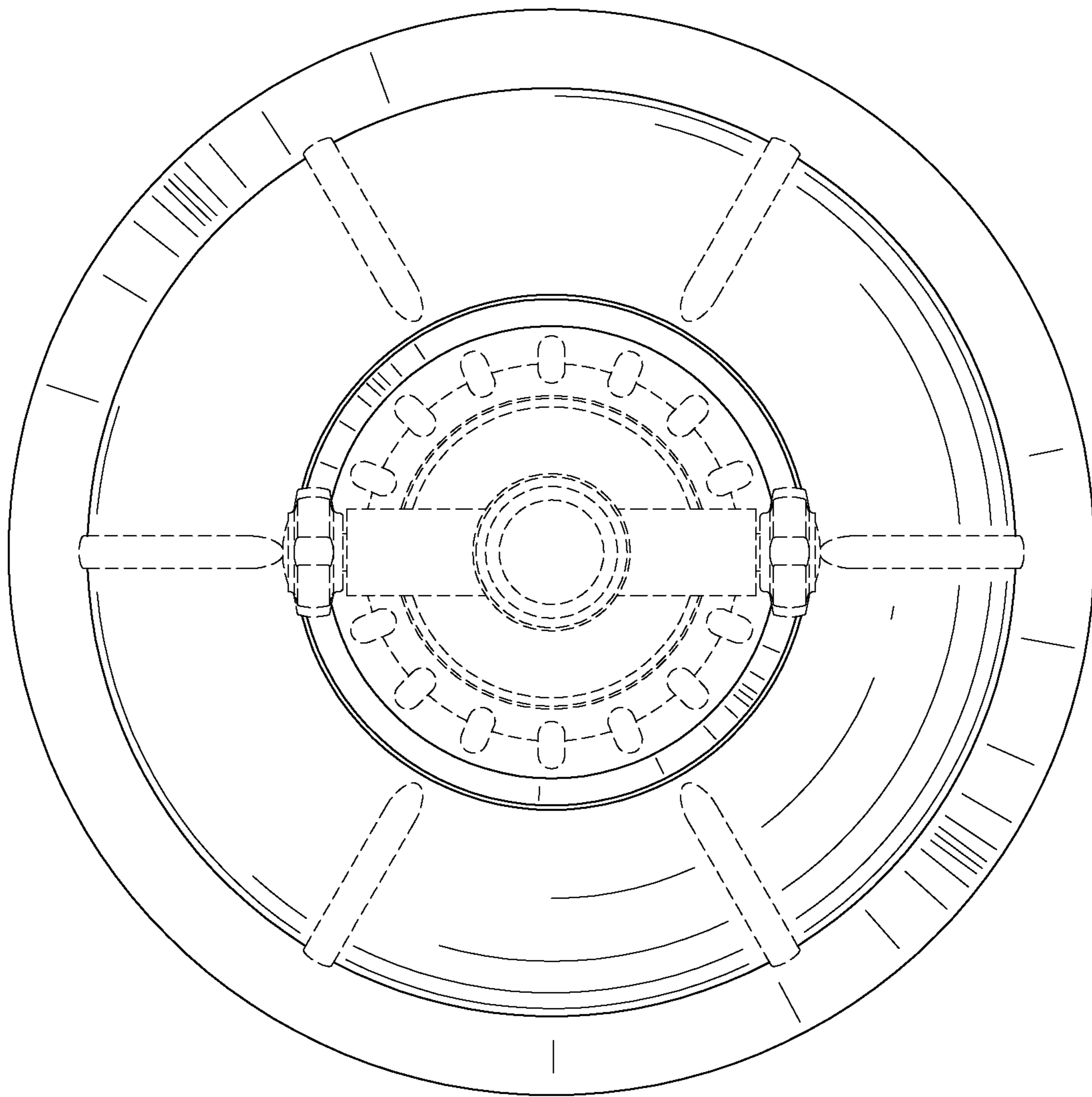


FIG. 6

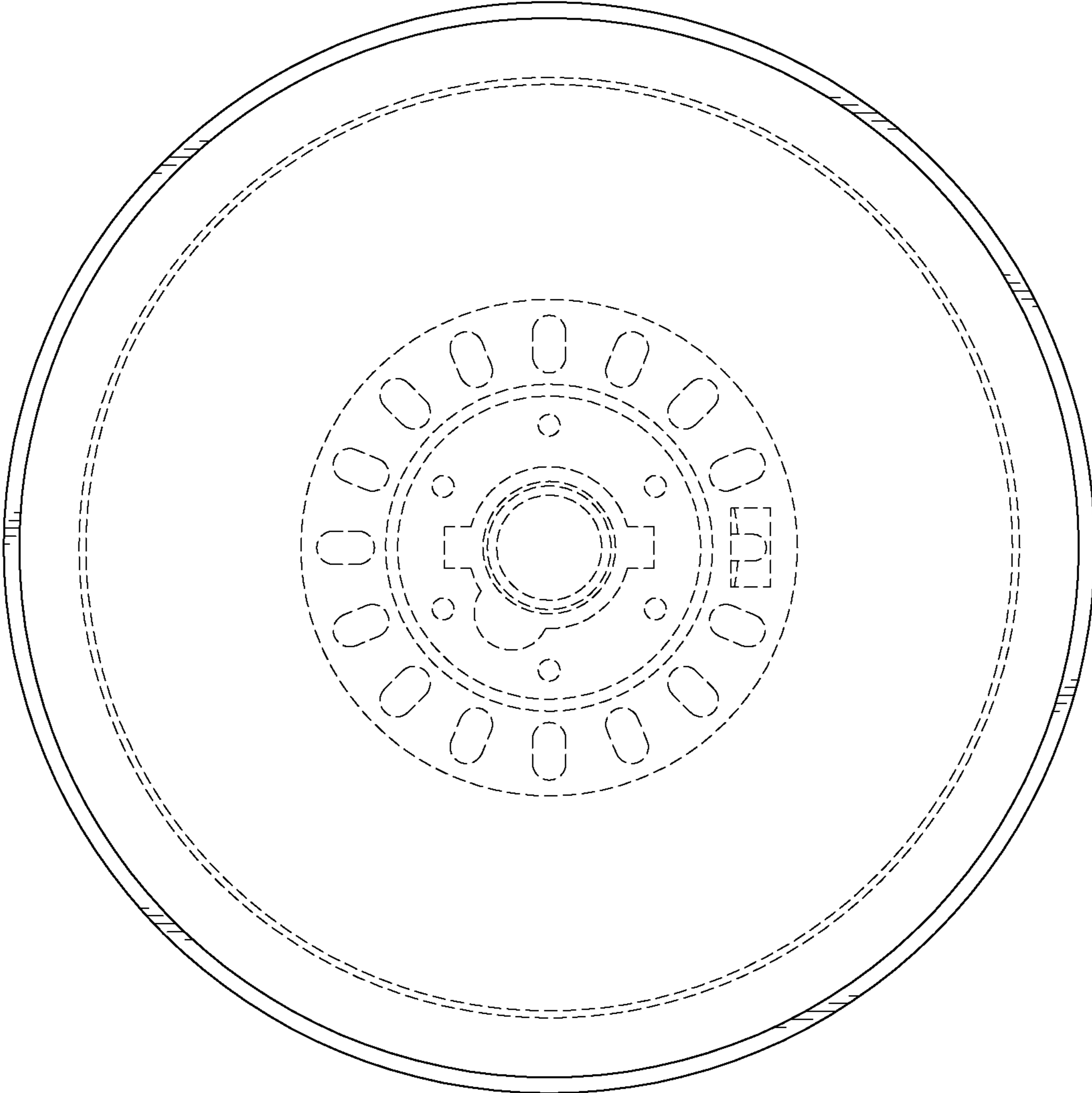


FIG. 7

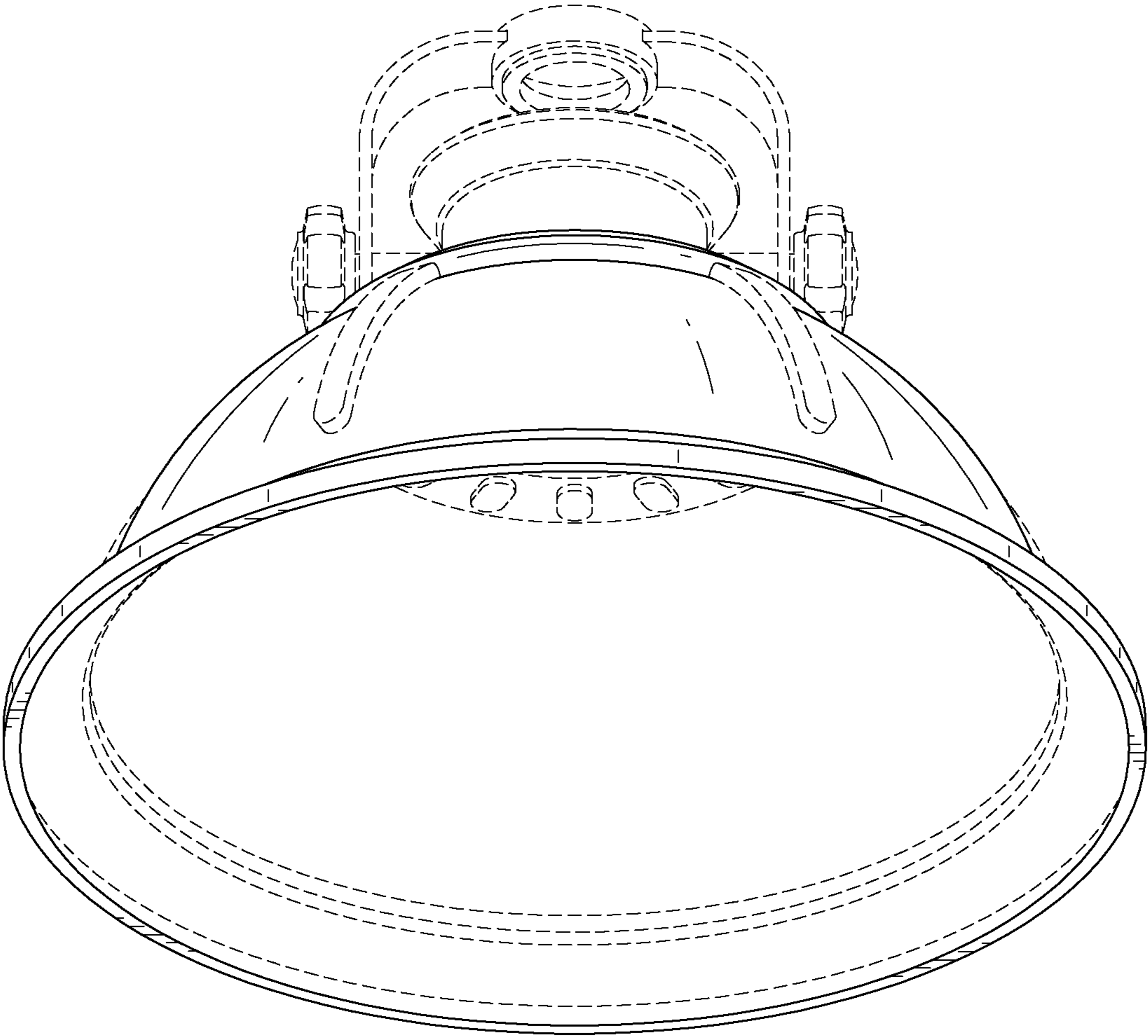


FIG. 8

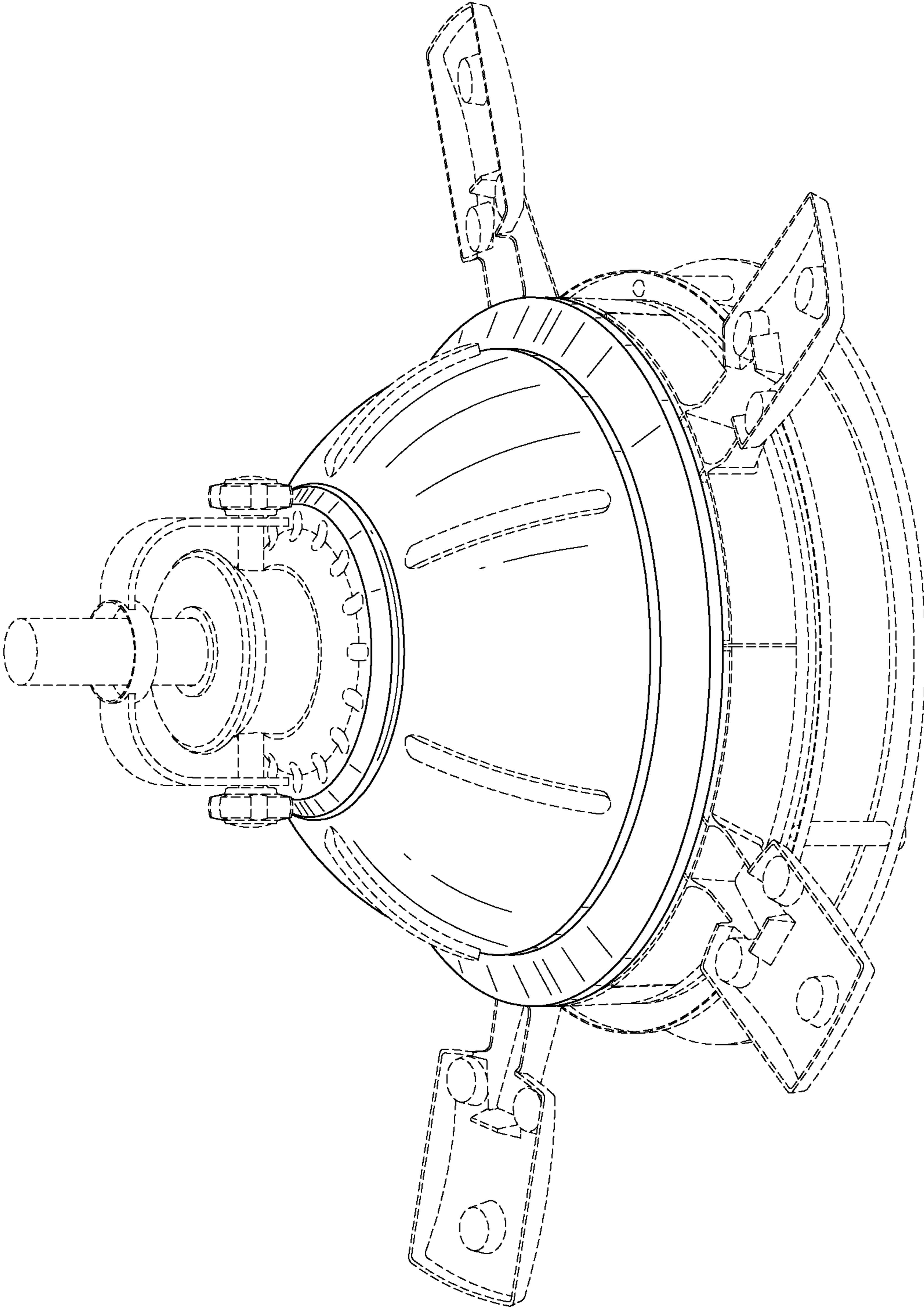


FIG. 9