



US00D929560S

(12) **United States Design Patent**
Yang

(10) **Patent No.:** **US D929,560 S**

(45) **Date of Patent:** **** Aug. 31, 2021**

(54) **HEAT DISSIPATING ROPE**

(71) Applicant: **Guangzhou North and South Lighting Technology Co., Ltd.**, Guangdong (CN)

(72) Inventor: **Kun Yang**, Guangdong (CN)

(**) Term: **15 Years**

(21) Appl. No.: **29/659,914**

(22) Filed: **Aug. 14, 2018**

(51) **LOC (13) Cl.** **23-03**

(52) **U.S. Cl.**
USPC **D23/386**

(58) **Field of Classification Search**
USPC D26/25, 27, 28; D23/386
CPC F21S 48/00; F21S 48/115; F21V 29/004;
B60Q 9/1375

See application file for complete search history.

(56) **References Cited**

U.S. PATENT DOCUMENTS

- 4,877,305 A * 10/1989 Ricciardelli G02B 6/14
385/123
- 4,885,663 A * 12/1989 Parker G02B 6/001
362/561
- 5,606,637 A * 2/1997 Dolby F21V 17/04
385/115
- D577,837 S * 9/2008 Cole D26/25
- 7,484,860 B2 * 2/2009 Demarest H01J 61/327
362/253
- D651,329 S * 12/2011 Bonang D26/27

- D700,695 S * 3/2014 Koga D23/386
- 8,864,354 B2 * 10/2014 Lorati F21V 33/0004
362/554
- D884,229 S * 5/2020 Huang D26/28

OTHER PUBLICATIONS

Sunsky website, Car Headlight with 2 COB Lamps and Heat Dissipation Cable, Publication date unknown, [site visited Jul. 30, 2020], Available on the Internet URL <https://www.sunsky-online.com/product/default!view.do?subject.itemNo=CMS8775WL> (Year: 2020).*

* cited by examiner

Primary Examiner — Karen S Acker

Assistant Examiner — Steven B Reinholdt, Jr.

(74) *Attorney, Agent, or Firm* — Prakash Nama; Global IP Services, PLLC

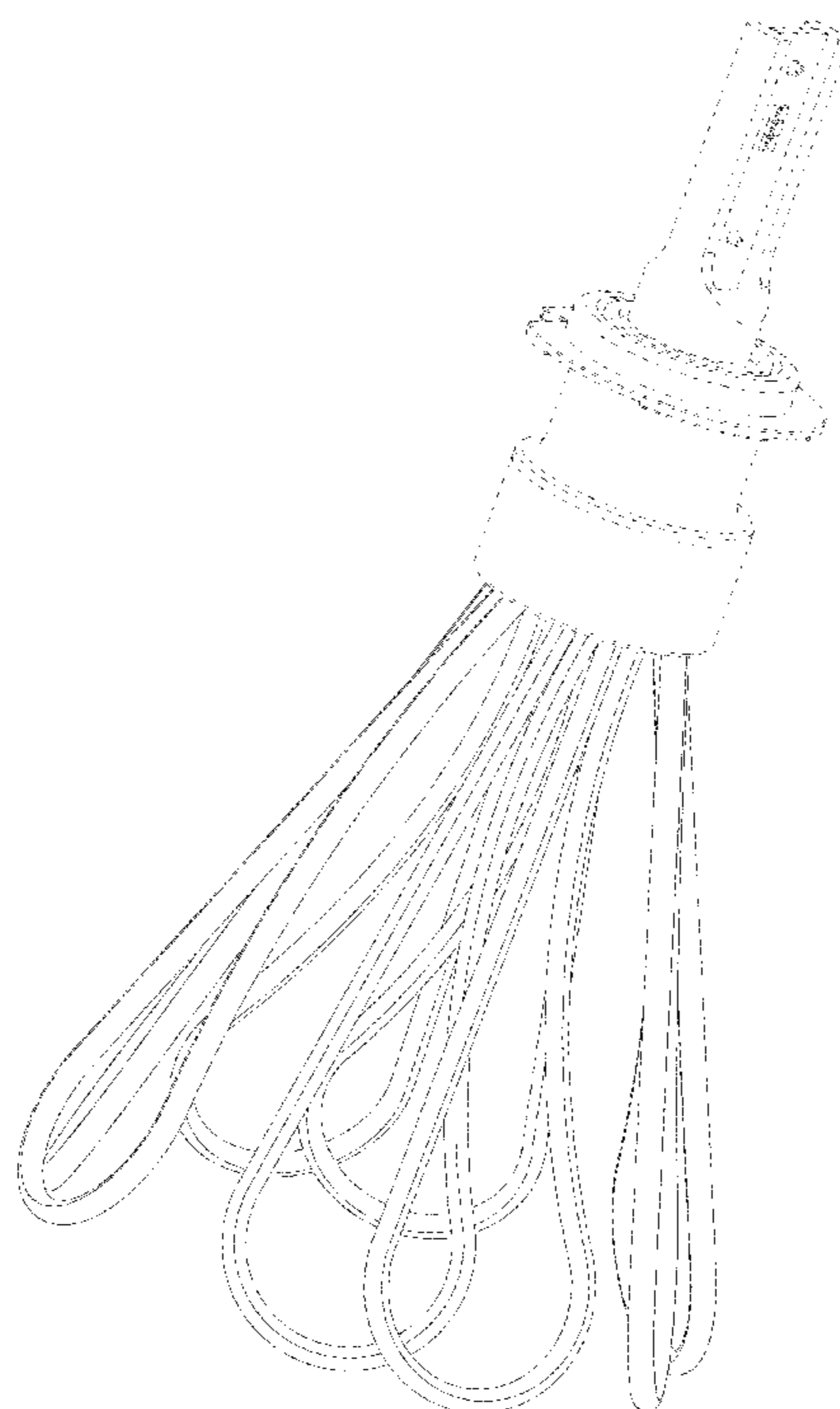
(57) **CLAIM**

The ornamental design for a heat dissipating rope, as shown and described.

DESCRIPTION

FIG. 1 is a front elevational view of a heat dissipating rope showing my new design;
FIG. 2 is a rear elevational view thereof;
FIG. 3 is a right side view thereof;
FIG. 4 is a left side view thereof;
FIG. 5 is an enlarged top plan view thereof;
FIG. 6 is a perspective view thereof; and,
FIG. 7 is another perspective view thereof.
The broken lines depict environment that forms no part of the claimed design.

1 Claim, 7 Drawing Sheets



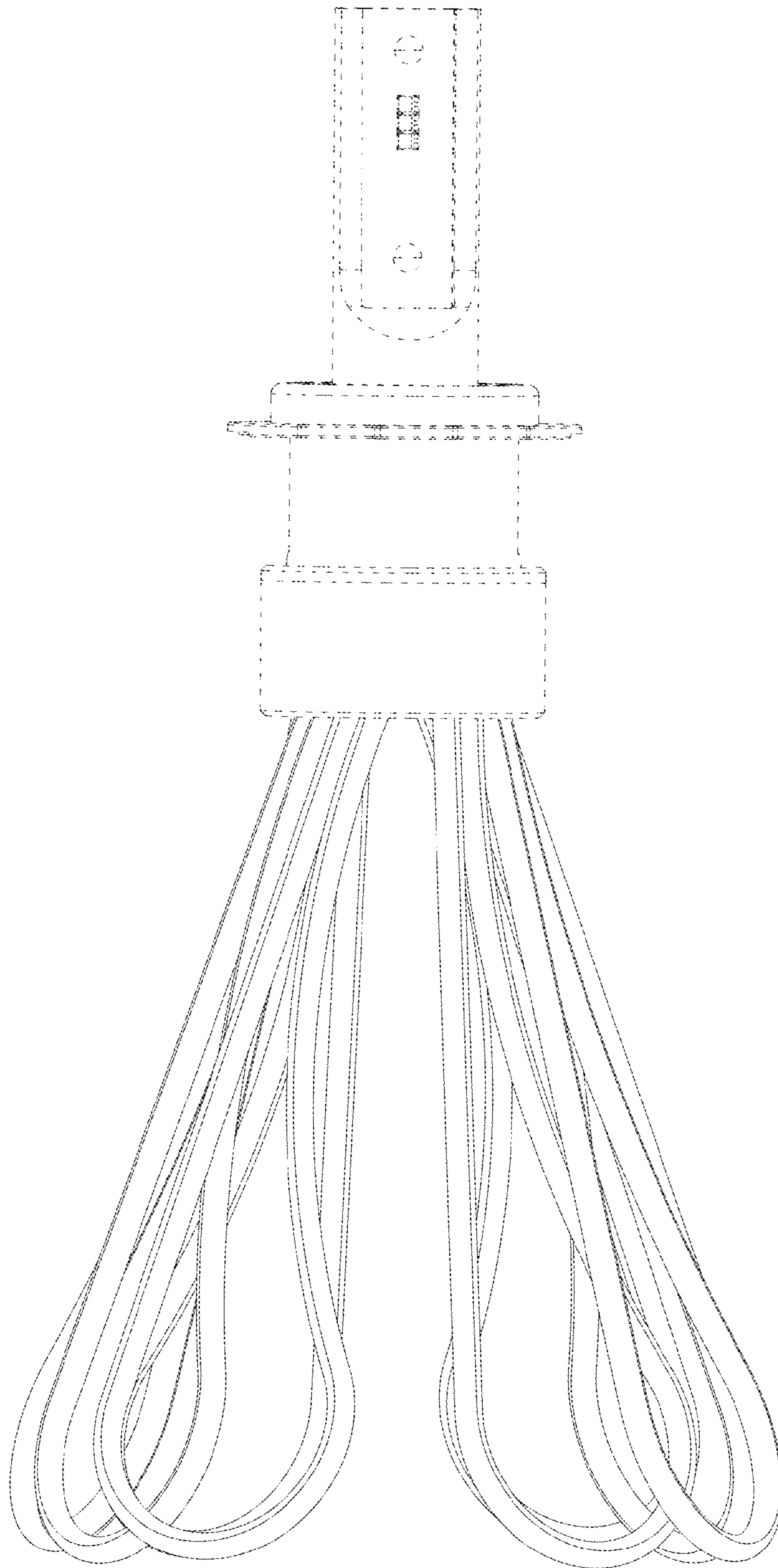


FIG. 1

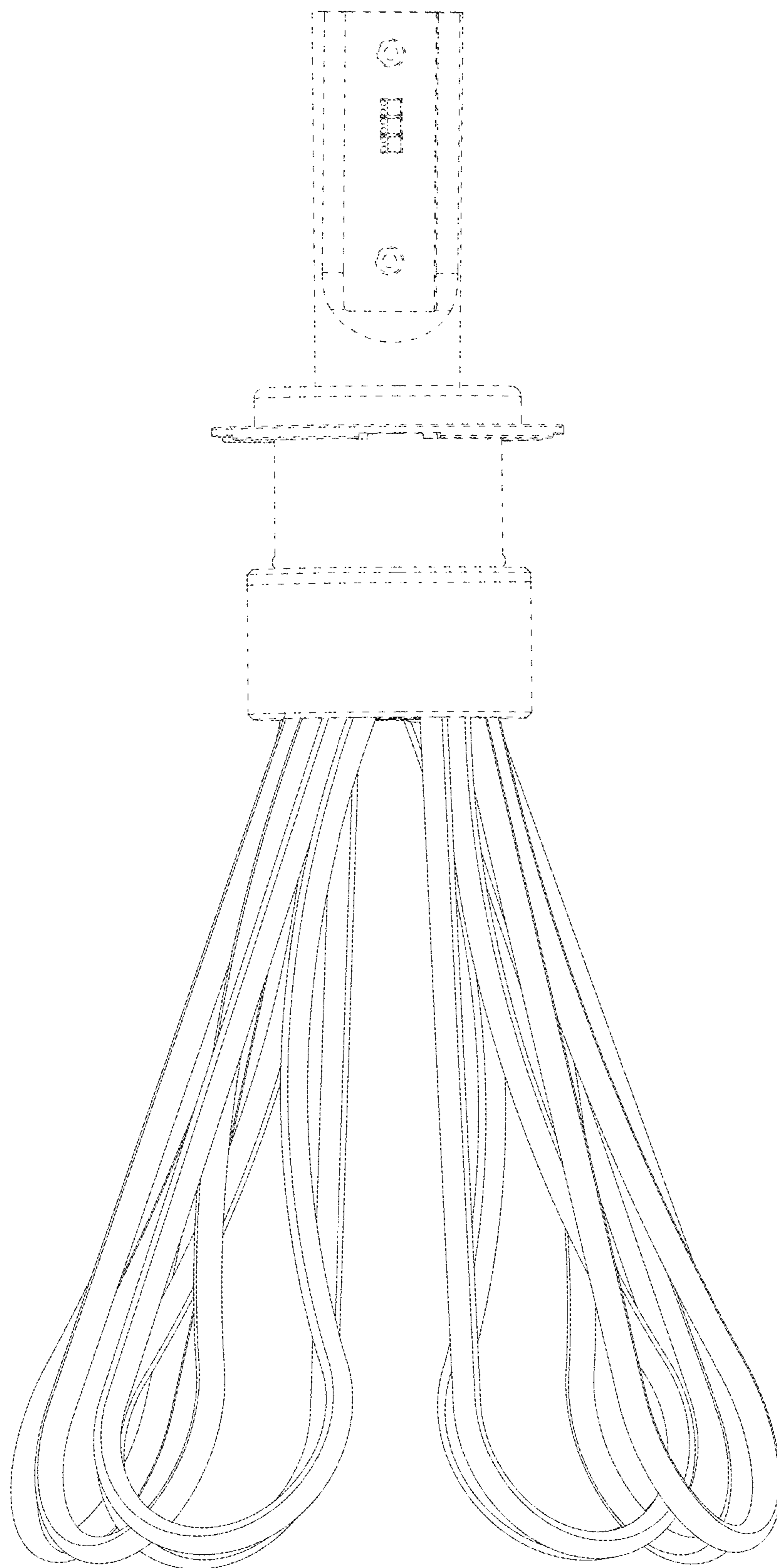


FIG. 2

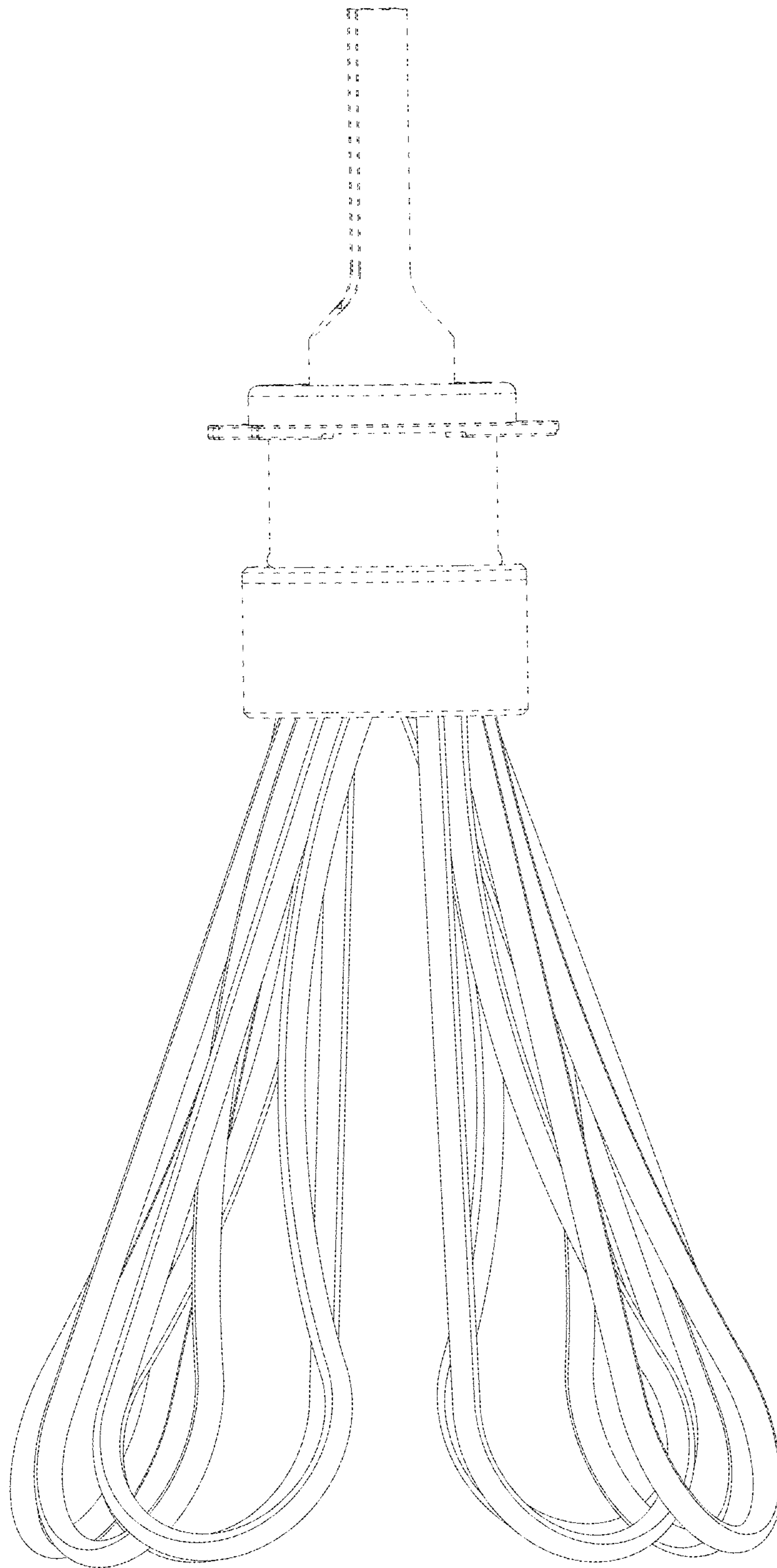


FIG. 3

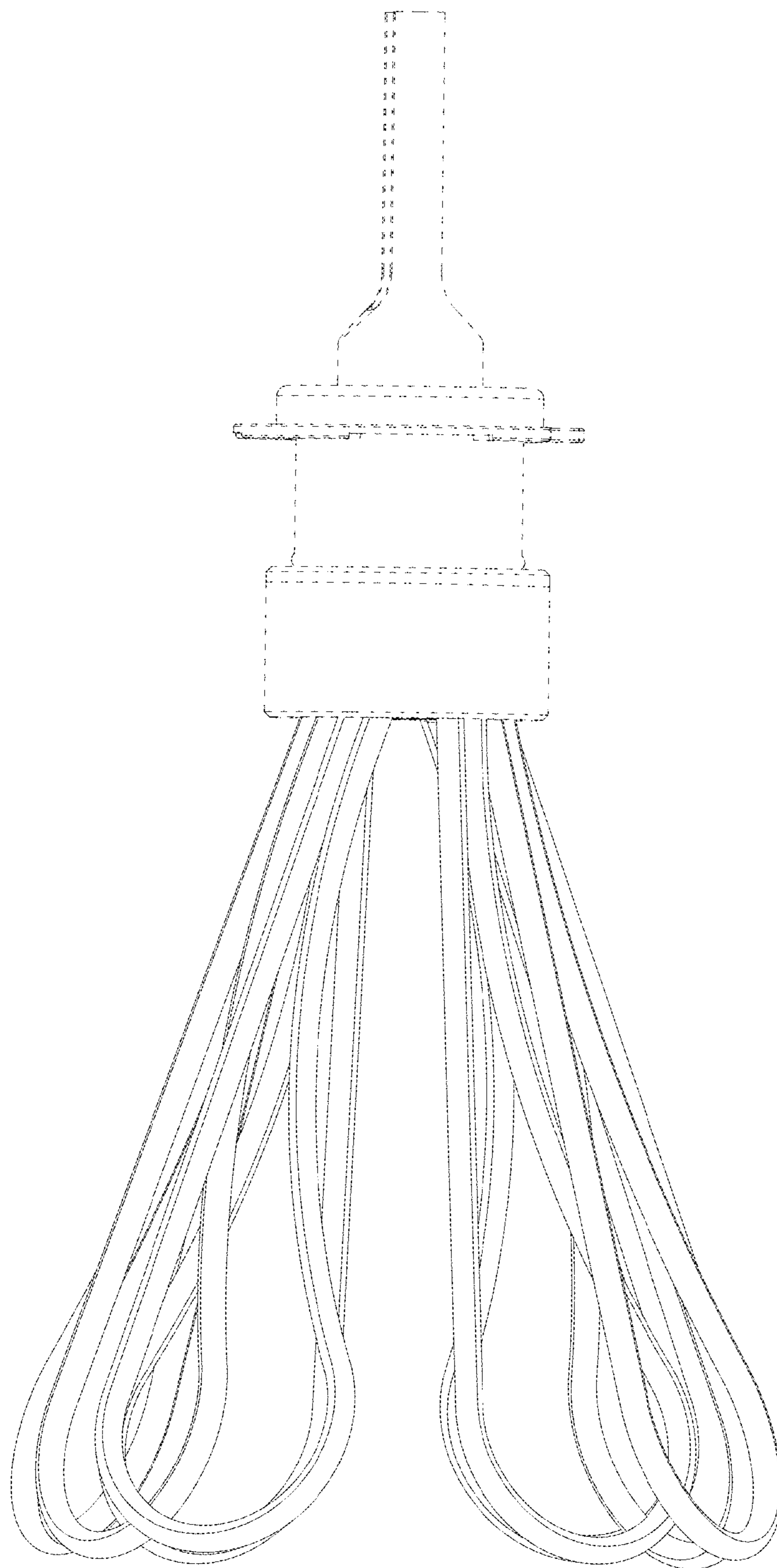


FIG. 4

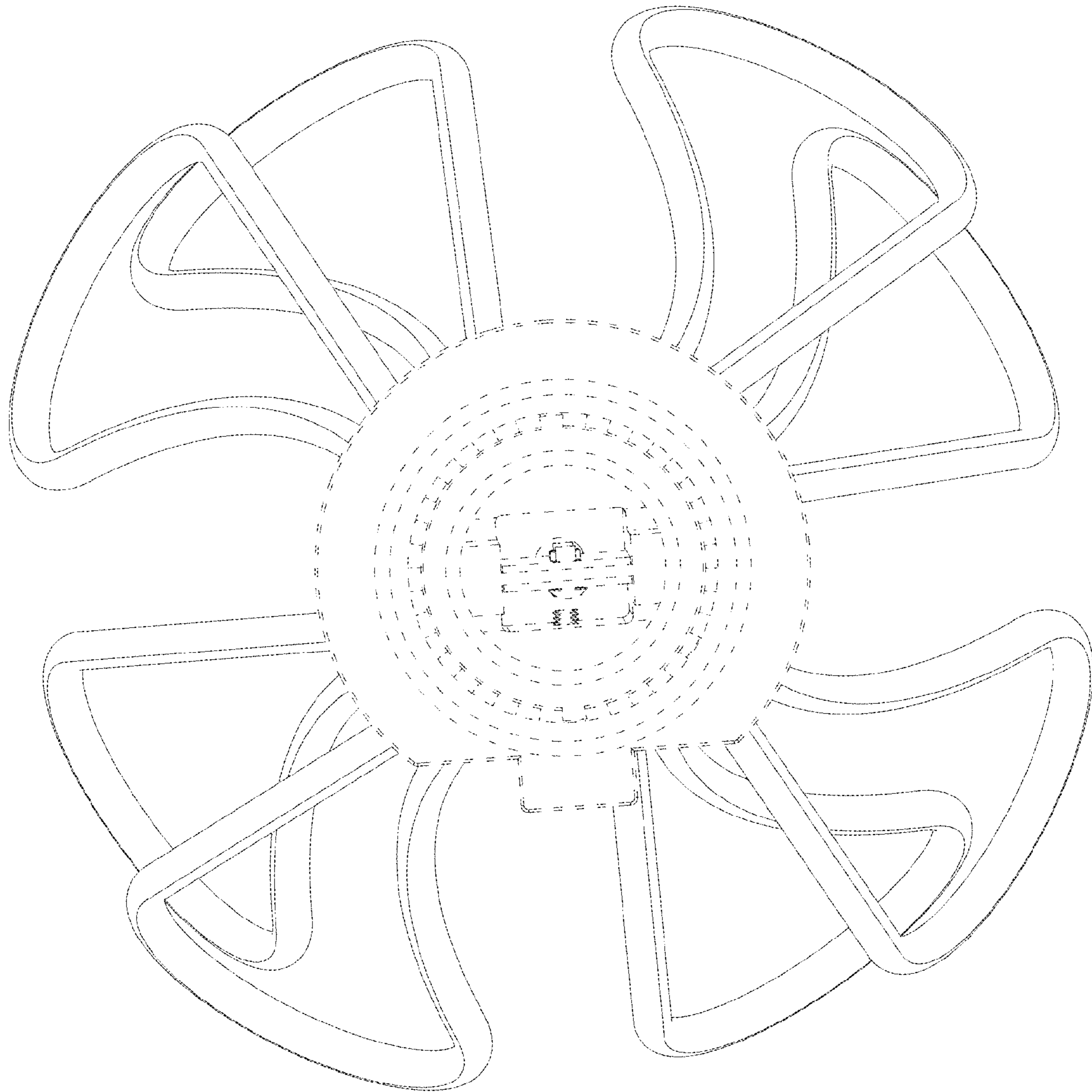


FIG. 5

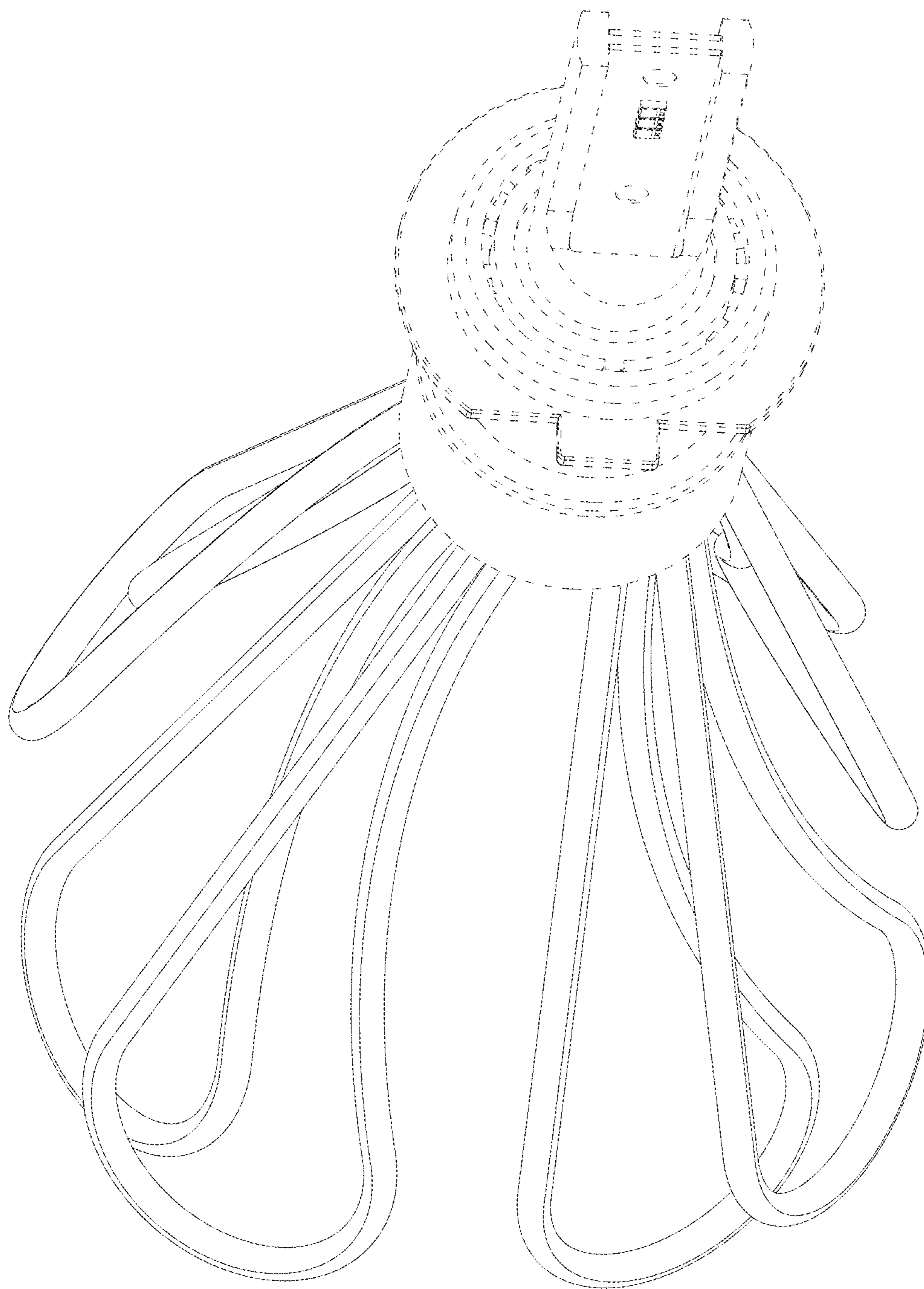


FIG. 6

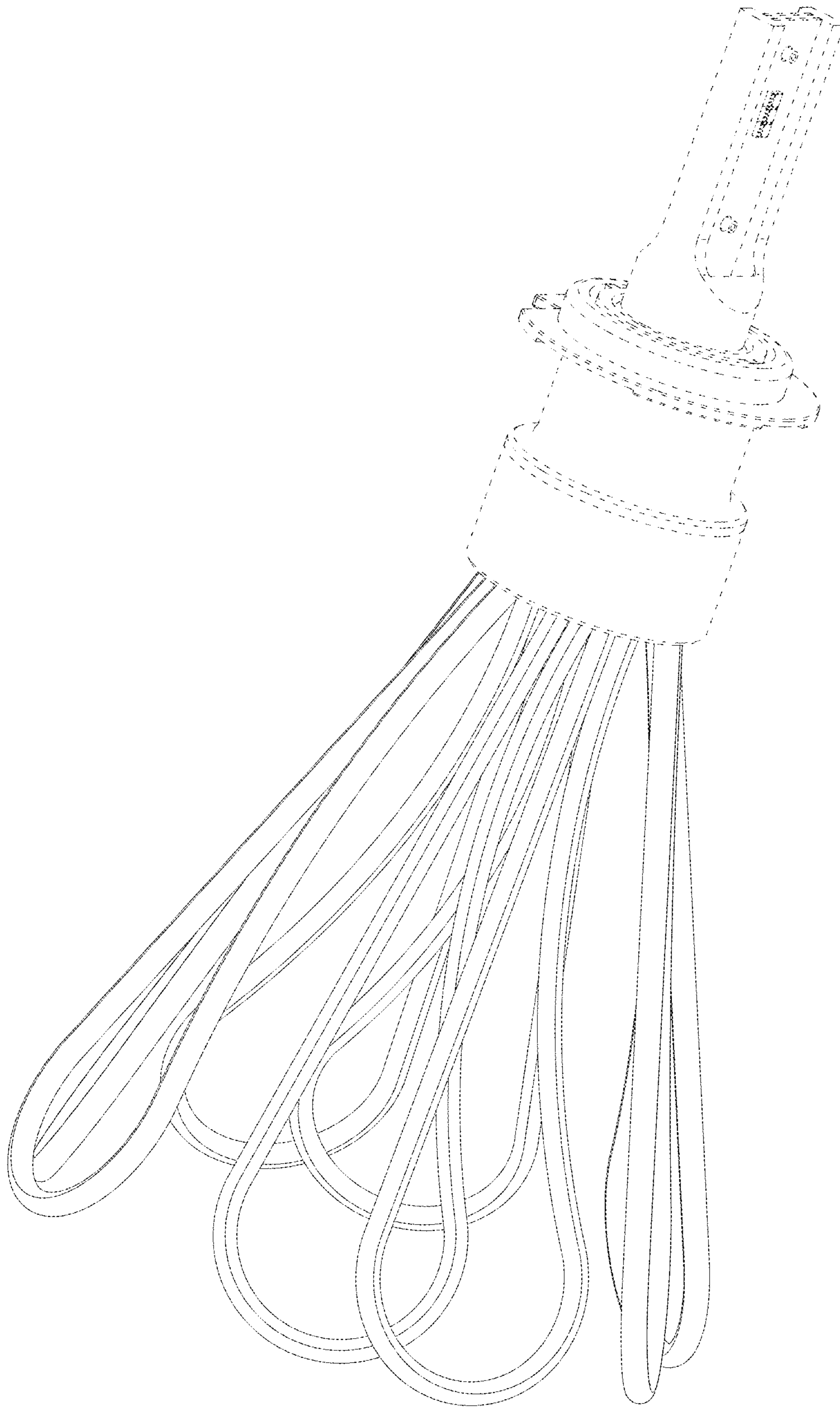


FIG. 7