



US00D929559S

(12) **United States Design Patent** (10) **Patent No.:** **US D929,559 S**
Ren (45) **Date of Patent:** **** Aug. 31, 2021**

(54) **OUTDOOR PORTABLE AROMA DIFFUSER**

(71) Applicant: **Junan Ren**, Shenzhen (CN)

(72) Inventor: **Junan Ren**, Shenzhen (CN)

(73) Assignee: **Shenzhen Qianhai Maci Technology Co., Ltd.**, Shenzhen (CN)

(**) Term: **15 Years**

(21) Appl. No.: **29/725,740**

(22) Filed: **Feb. 26, 2020**

(30) **Foreign Application Priority Data**

Sep. 6, 2019 (CN) 201930429459.1

(51) **LOC (13) Cl.** **23-04**

(52) **U.S. Cl.**
USPC **D23/366**

(58) **Field of Classification Search**
USPC D23/209, 355, 356, 358, 359, 360, 364,
D23/365, 366, 367; D99/5; D7/603
CPC . A61L 9/03; A61L 9/012; A61L 9/015; A61L
9/037; F41J 1/01
See application file for complete search history.

(56) **References Cited**

U.S. PATENT DOCUMENTS

D449,877 S * 10/2001 Delmenico D23/356
D660,657 S * 5/2012 Picozza D7/629
D725,909 S * 4/2015 Oxer D3/304
D766,878 S * 9/2016 Park D14/216
D784,093 S * 4/2017 Boroski D7/629
D821,359 S * 6/2018 Tong D14/216
D868,739 S * 12/2019 Ryu D14/216
D882,745 S * 4/2020 Martouzet D23/364

D885,550 S * 5/2020 Avedon D23/370
D891,595 S * 7/2020 Ediger D23/356
D909,557 S * 2/2021 Jeon D23/364
D917,685 S * 4/2021 Jung D23/364
2015/0354578 A1* 12/2015 Avedon F04D 29/542
417/53

OTHER PUBLICATIONS

ARVIDSSON Portable Essential Oil Diffuser [May 10, 2021] found online [May 10, 2021]—<https://www.amazon.com/ARVIDSSON-Rechargeable-Ultrasonic-Aromatherapy-Whisper-Quiet/dp/B08BZ7C7BF>.*

* cited by examiner

Primary Examiner — John A Voytek

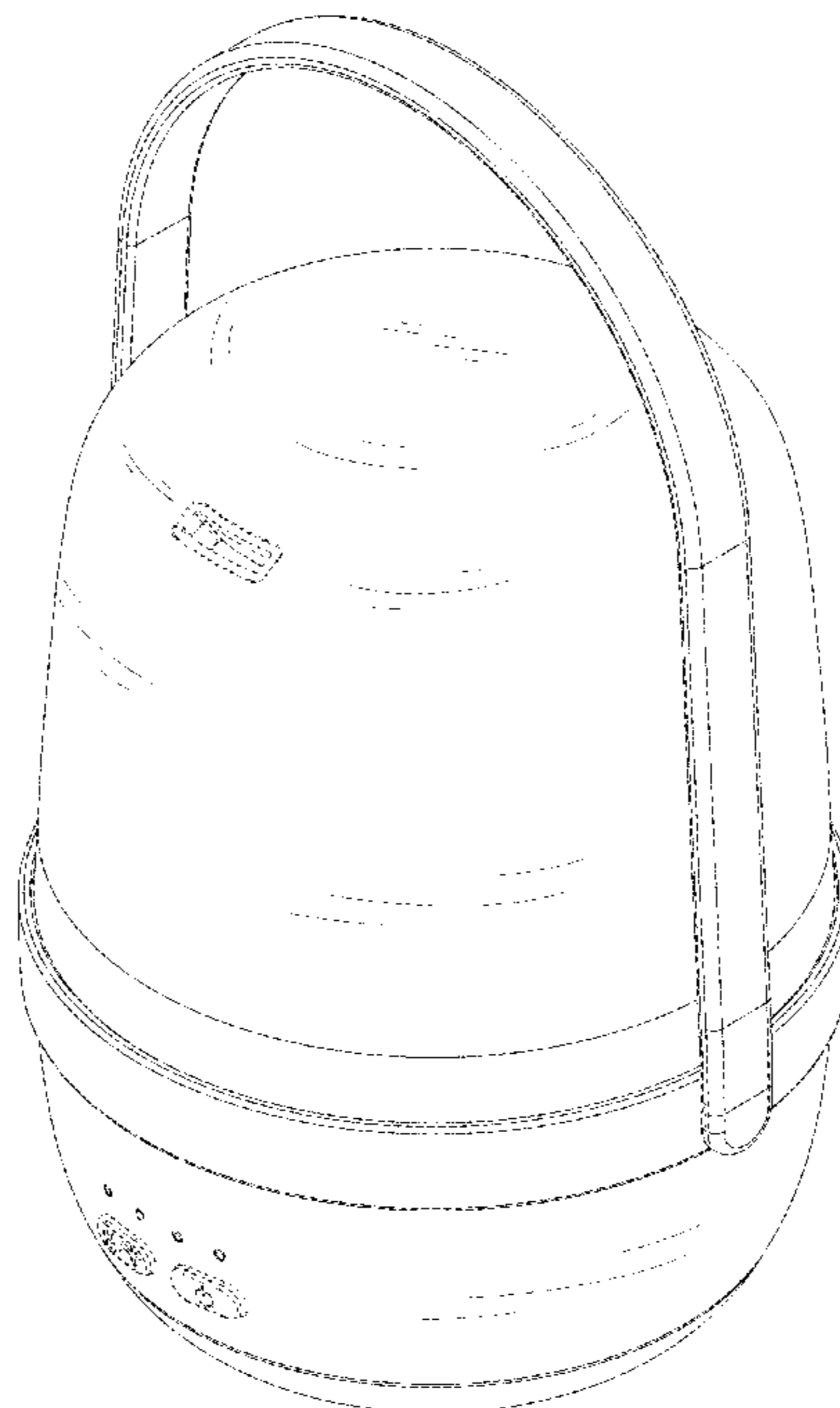
(57) **CLAIM**

The ornamental design for an outdoor portable aroma diffuser, as shown and described.

DESCRIPTION

FIG. 1 is a front, top perspective view of an outdoor portable aroma diffuser showing my new design;
FIG. 2 is a rear, bottom perspective view thereof;
FIG. 3 is a front elevational view thereof;
FIG. 4 is a rear elevational view thereof;
FIG. 5 is a left side elevational view thereof;
FIG. 6 is a right side elevational view thereof;
FIG. 7 is a top plan view thereof; and,
FIG. 8 is a bottom plan view thereof.
The broken lines in the figures depict the portions of the outdoor portable aroma diffuser that form no part of the claimed design.

1 Claim, 8 Drawing Sheets



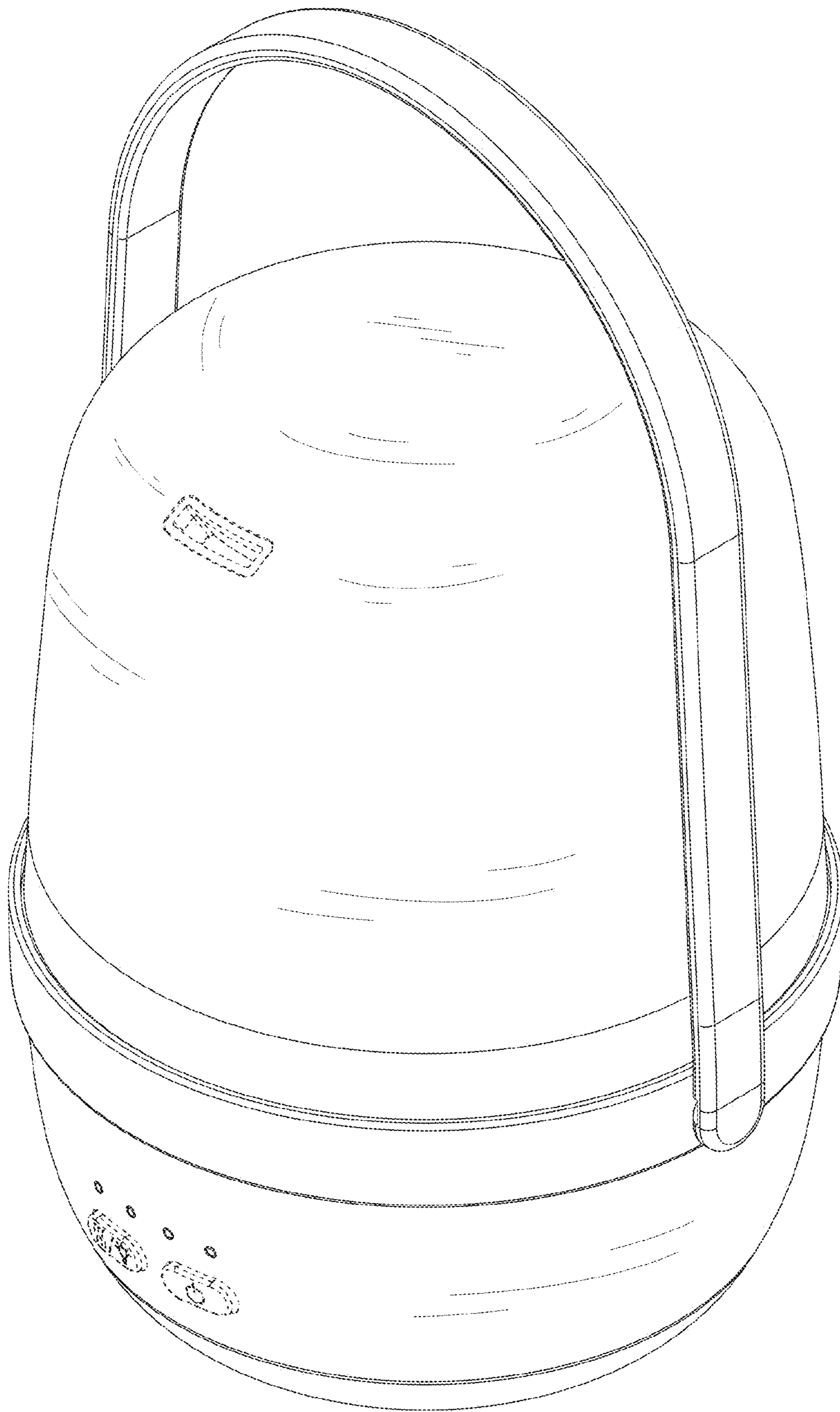


FIG. 1

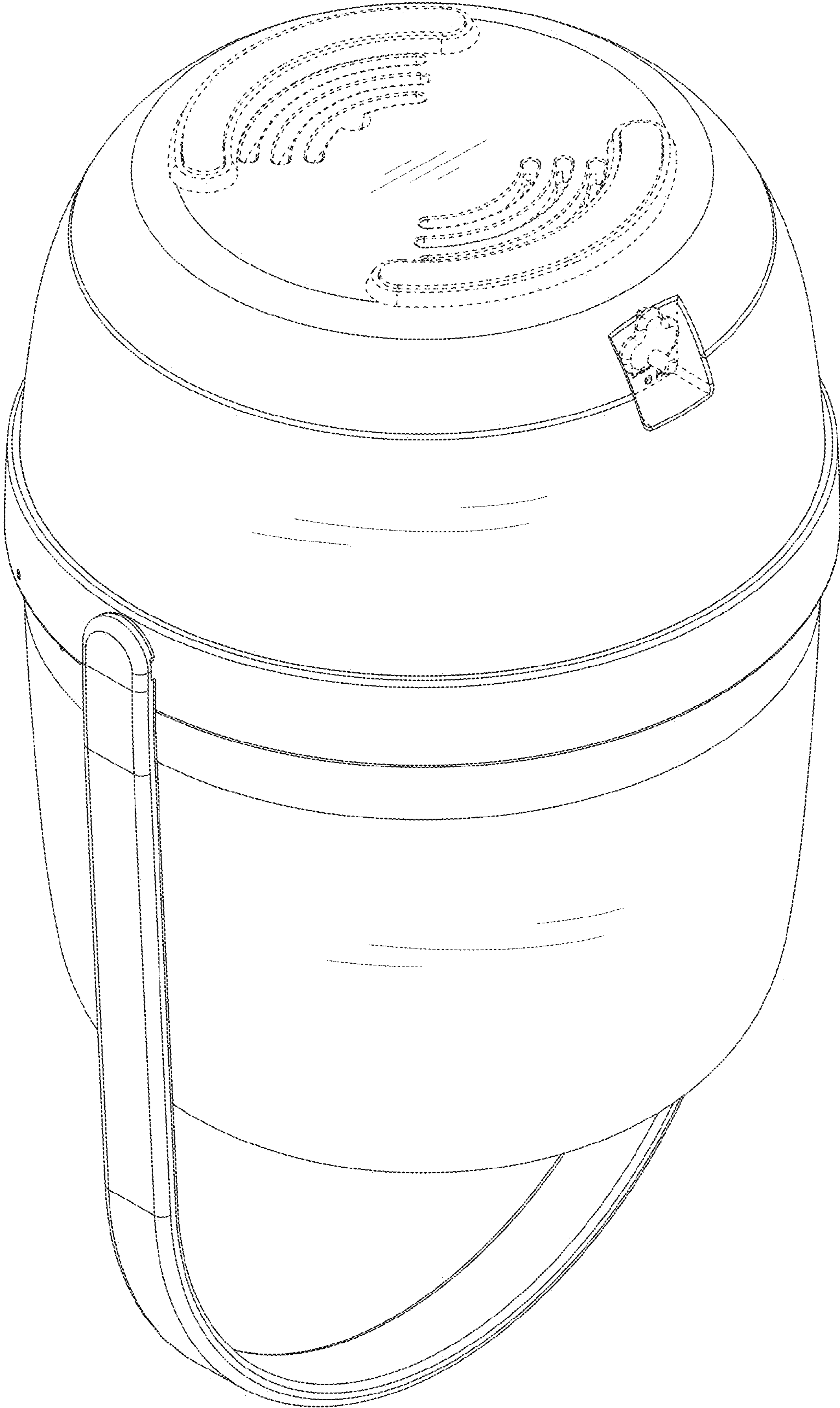


FIG. 2



FIG. 3

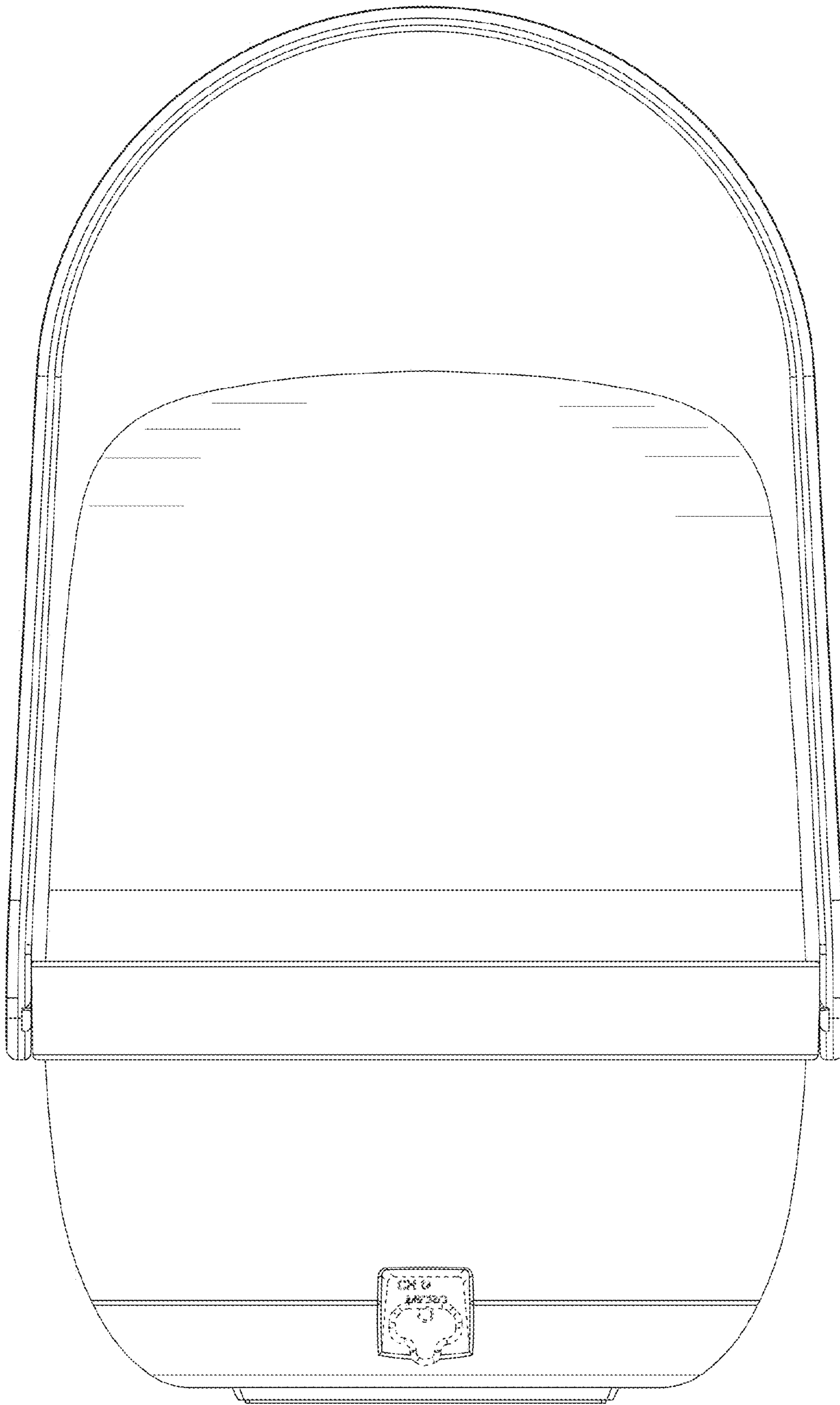


FIG. 4

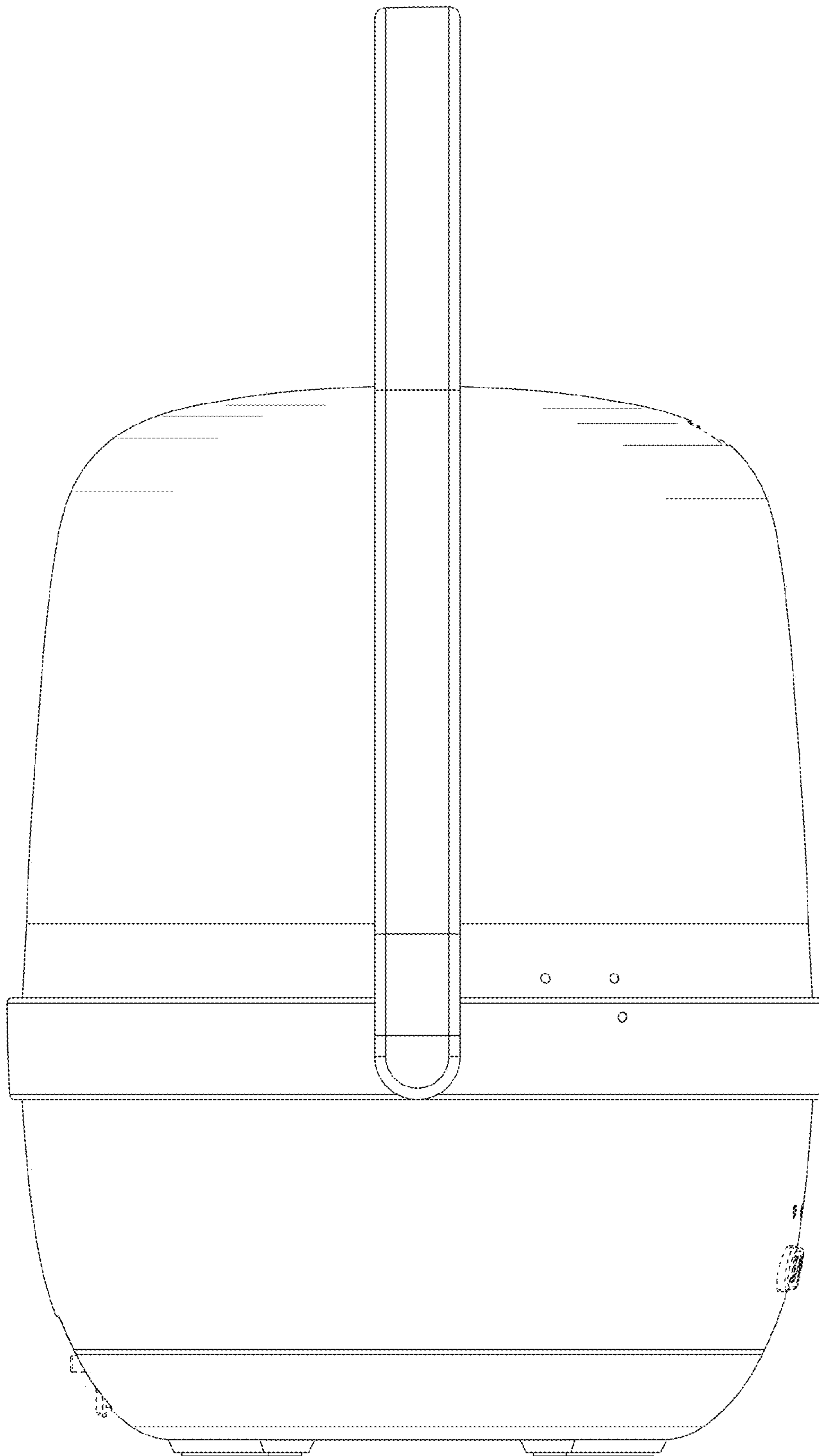


FIG. 5

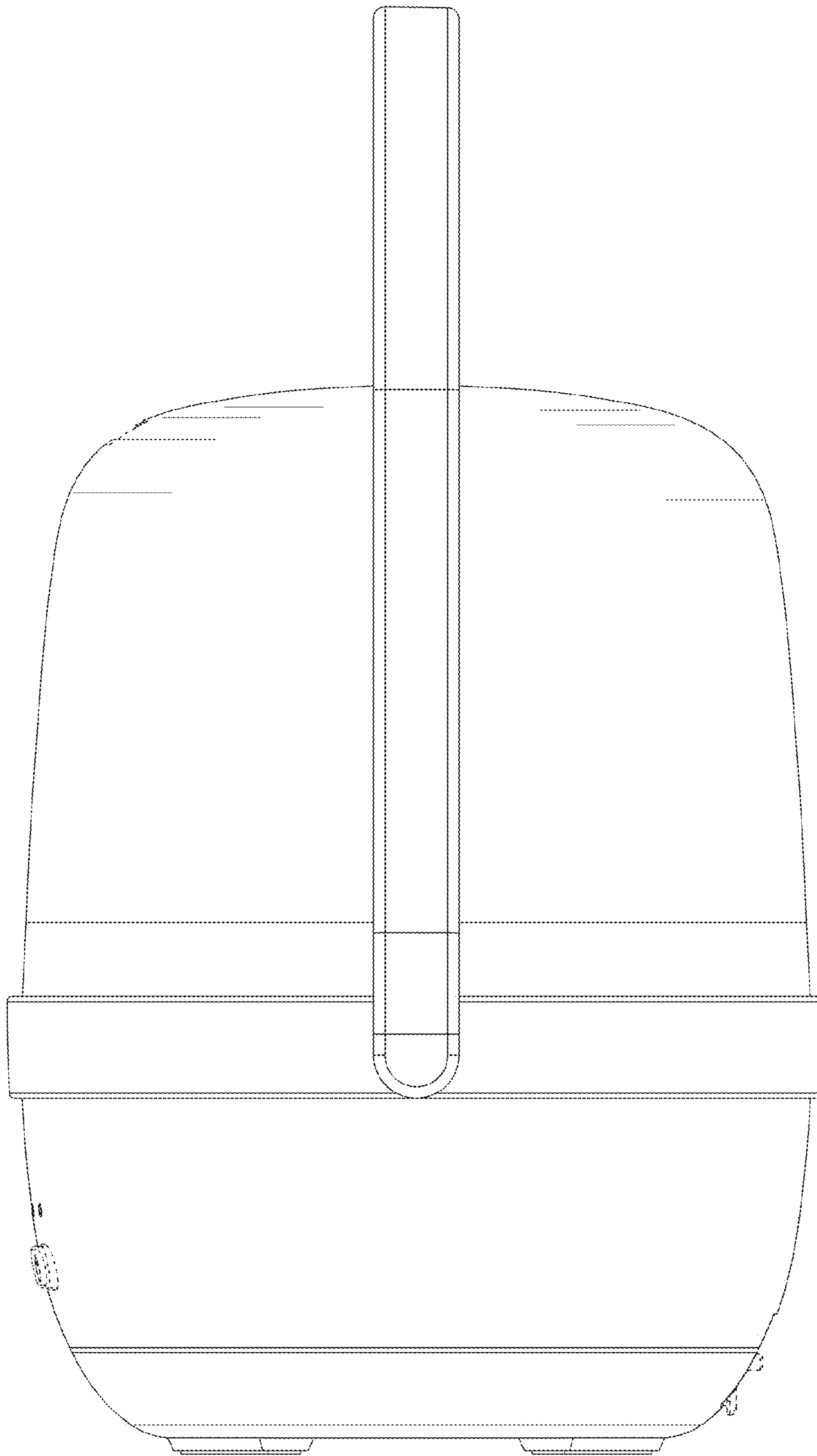


FIG. 6

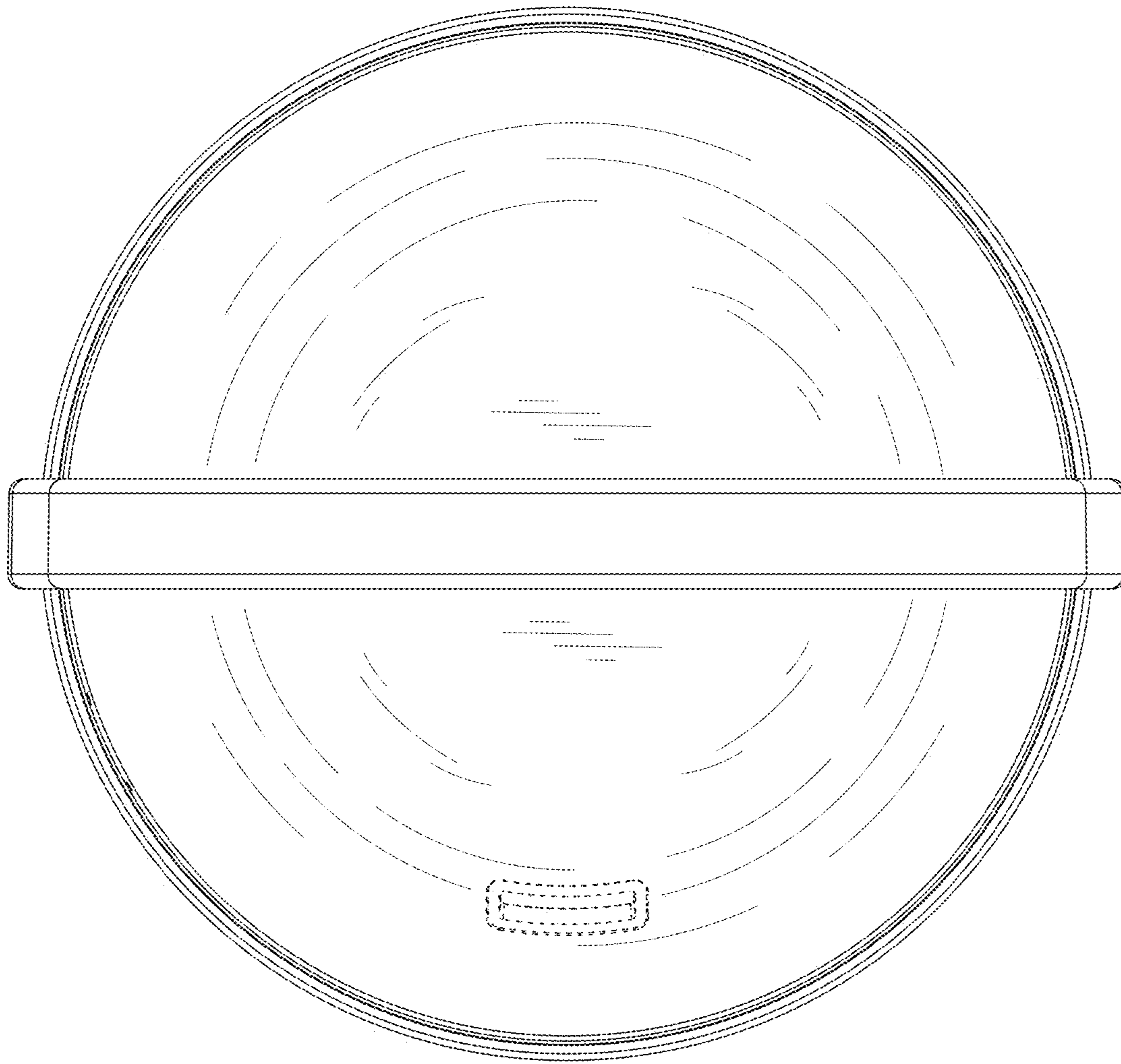


FIG. 7

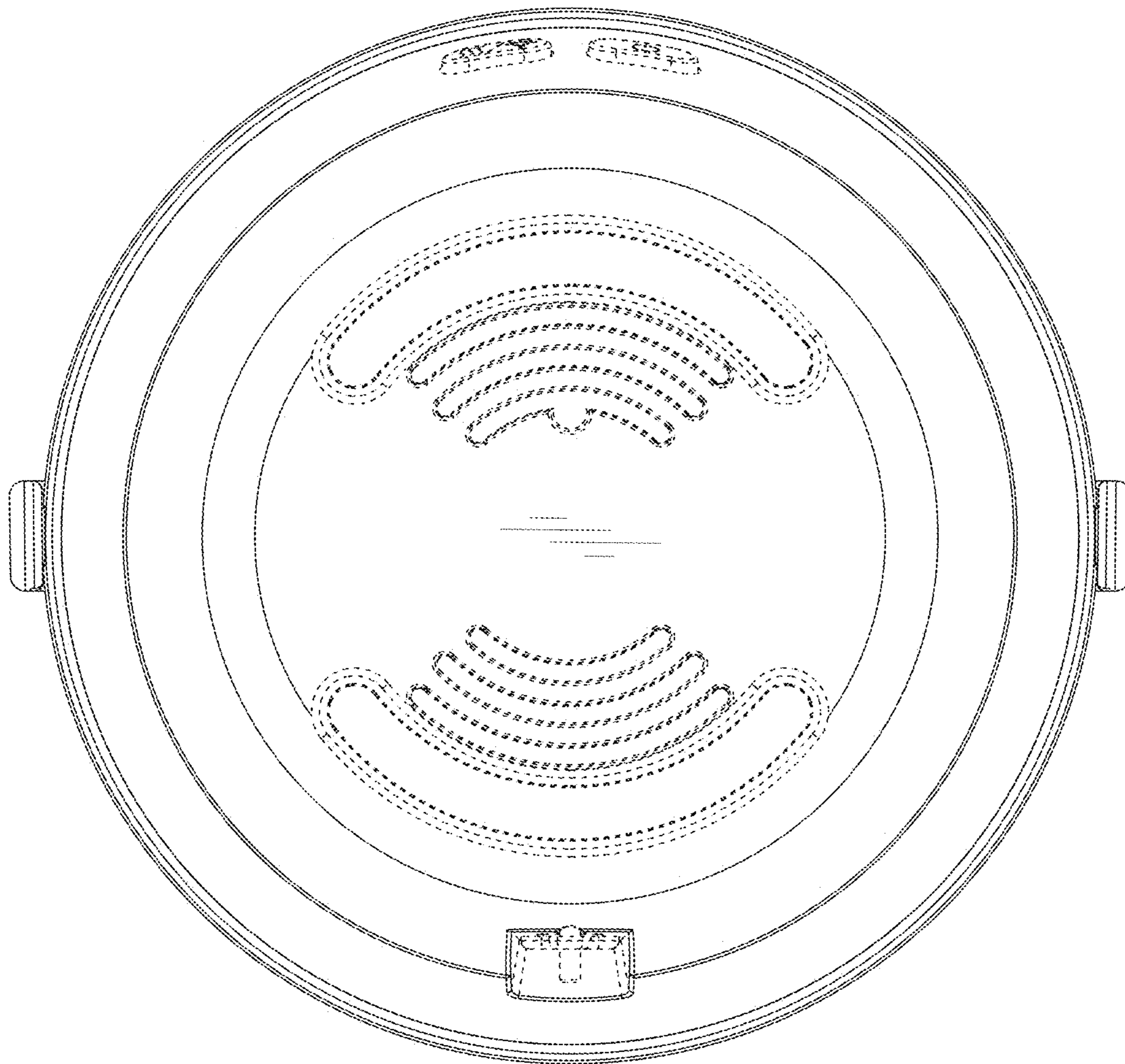


FIG. 8