



US00D929558S

(12) **United States Design Patent**
Leyden

(10) **Patent No.:** **US D929,558 S**

(45) **Date of Patent:** **** Aug. 31, 2021**

(54) **DIFFUSER**

(71) Applicant: **The Coleman Company, Inc.**, Wichita,
KS (US)

(72) Inventor: **Chris Leyden**, Portage, MI (US)

(73) Assignee: **The Coleman Company, Inc.**, Wichita,
KS (US)

(**) Term: **15 Years**

(21) Appl. No.: **29/708,464**

(22) Filed: **Oct. 7, 2019**

(51) **LOC (13) Cl.** **28-99**

(52) **U.S. Cl.**
USPC **D23/366**

(58) **Field of Classification Search**
USPC D23/209, 355, 356, 358, 359, 360, 364,
D23/365, 366, 367; D99/5; D26/40
CPC . A61L 9/03; A61L 9/012; A61L 9/015; A61L
9/037; F41J 1/01
See application file for complete search history.

(56) **References Cited**

U.S. PATENT DOCUMENTS

D610,283 S * 2/2010 Loibl D26/40
D617,480 S * 6/2010 DeBrunner D26/40
D806,844 S * 1/2018 Kim D23/364

D827,802 S * 9/2018 Chen D23/366
D829,312 S * 9/2018 Riering-Czekalla D23/364
D832,414 S * 10/2018 Sharma D23/364
D834,694 S * 11/2018 Walter D23/366
D838,825 S * 1/2019 Sullivan D23/366
D844,875 S * 4/2019 Jeon D26/51
D845,527 S * 4/2019 Hsu D26/41
10,625,207 B2 * 4/2020 Rao B01D 53/885
D886,975 S * 6/2020 Yang D23/364
2006/0221600 A1 * 10/2006 Long F21L 19/003
362/161

* cited by examiner

Primary Examiner — John A Voytek

(74) *Attorney, Agent, or Firm* — Husch Blackwell LLP

(57) **CLAIM**

I claim the ornamental design for a diffuser, as shown and described.

DESCRIPTION

FIG. 1 is a perspective view of a diffuser according to our new design;
FIG. 2 is a top plan view thereof;
FIG. 3 is a front elevation view thereof;
FIG. 4 is a right side elevation view thereof;
FIG. 5 is a rear elevation view thereof; and,
FIG. 6 is a left side elevation view thereof.
In the drawings, the broken lines depict portions of the diffuser that form no part of the claimed design.

1 Claim, 6 Drawing Sheets

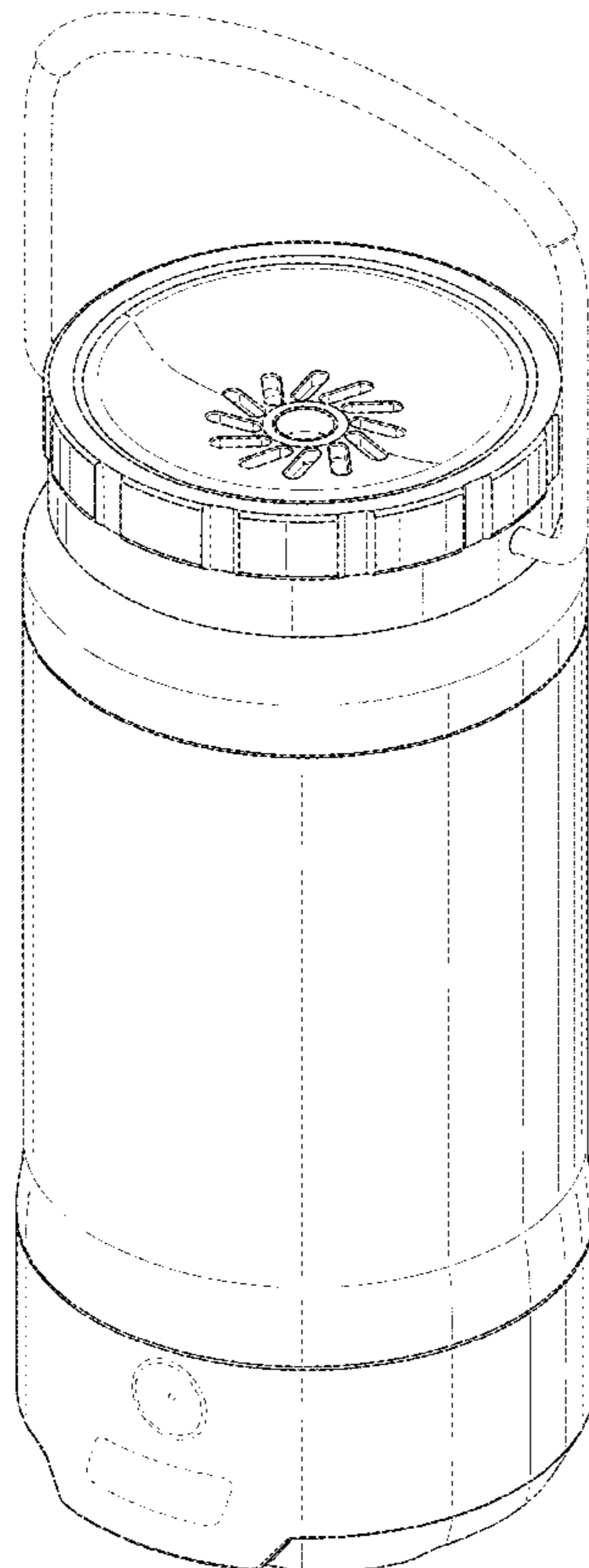


FIG. 1

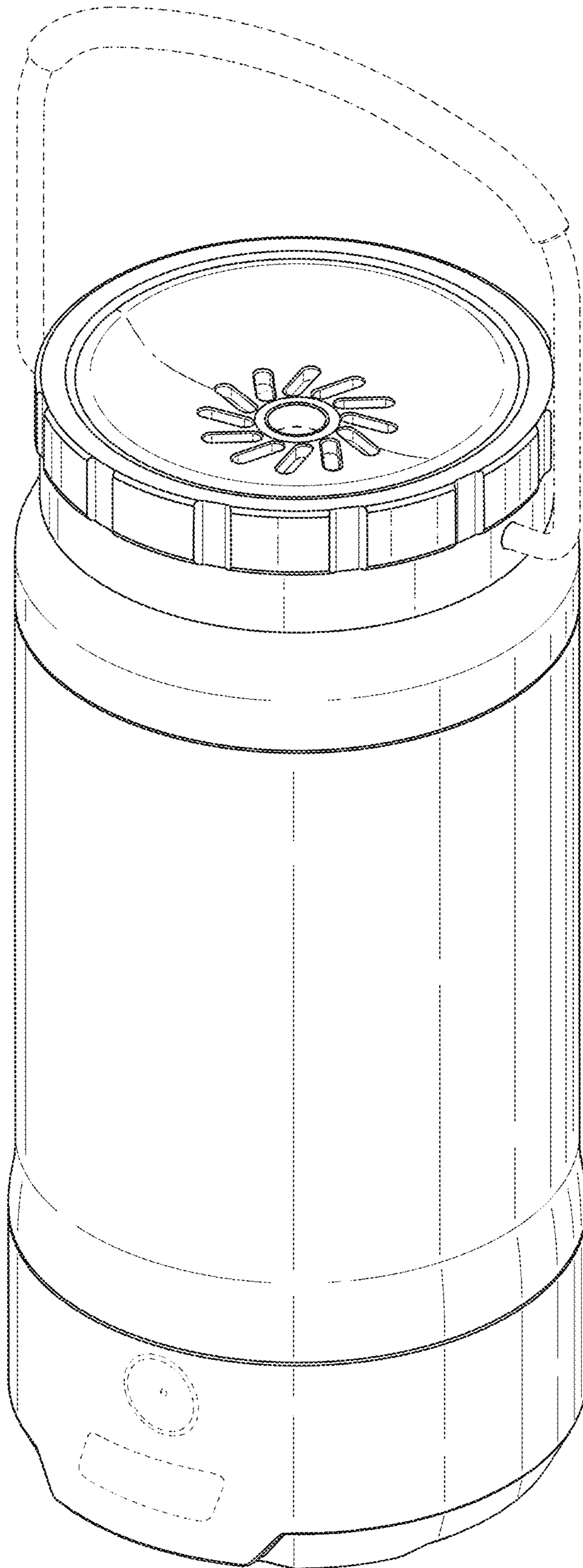


FIG. 2

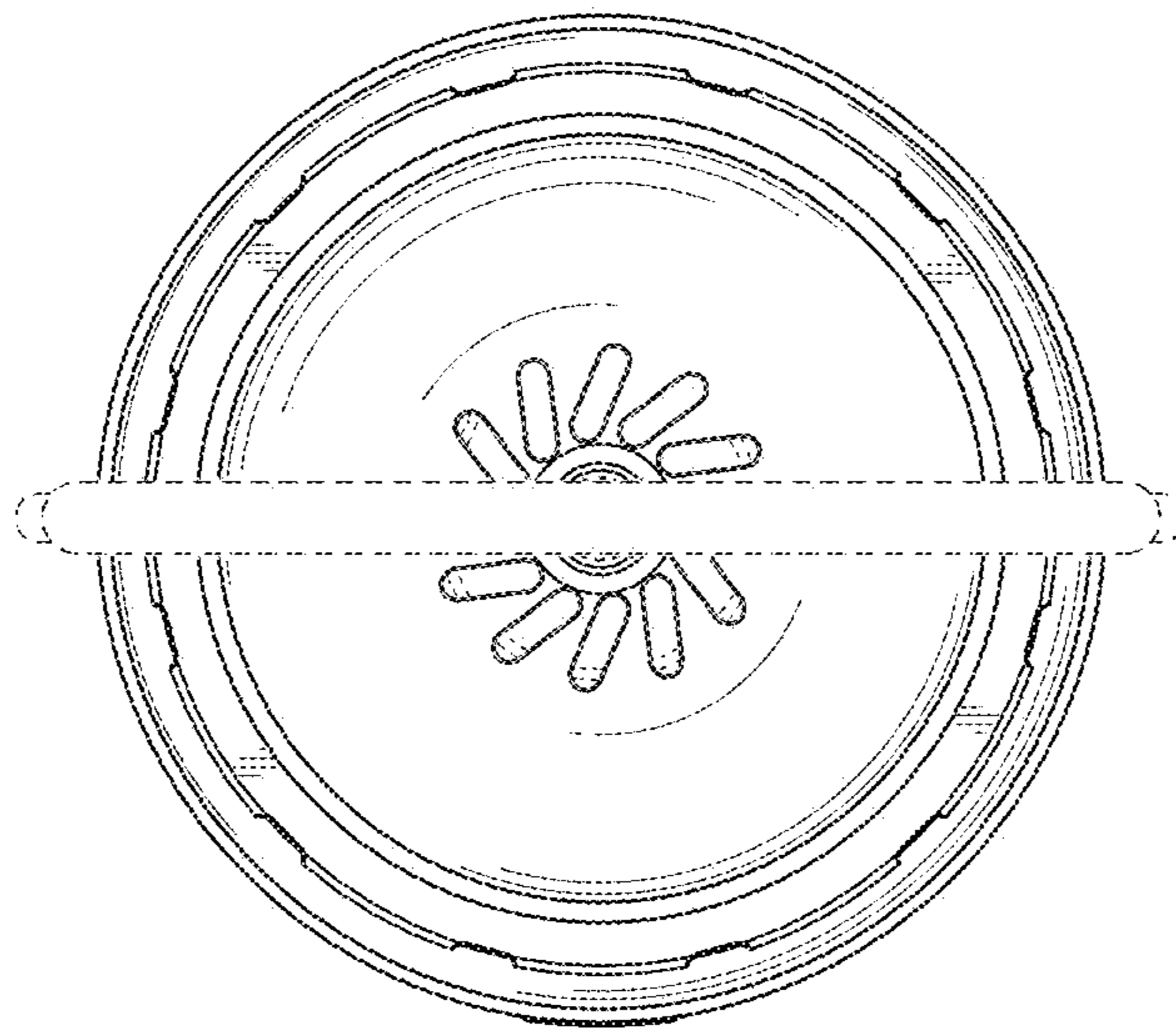


FIG. 3

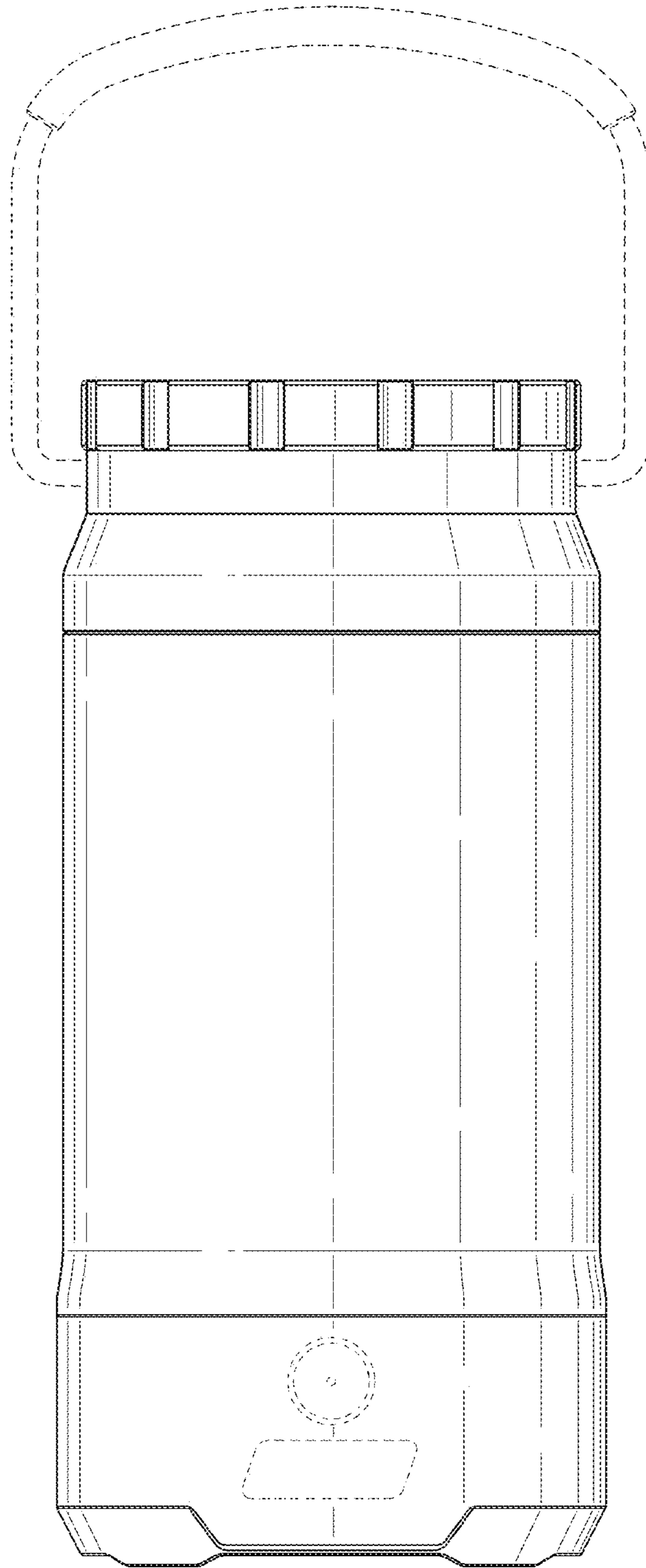


FIG. 4

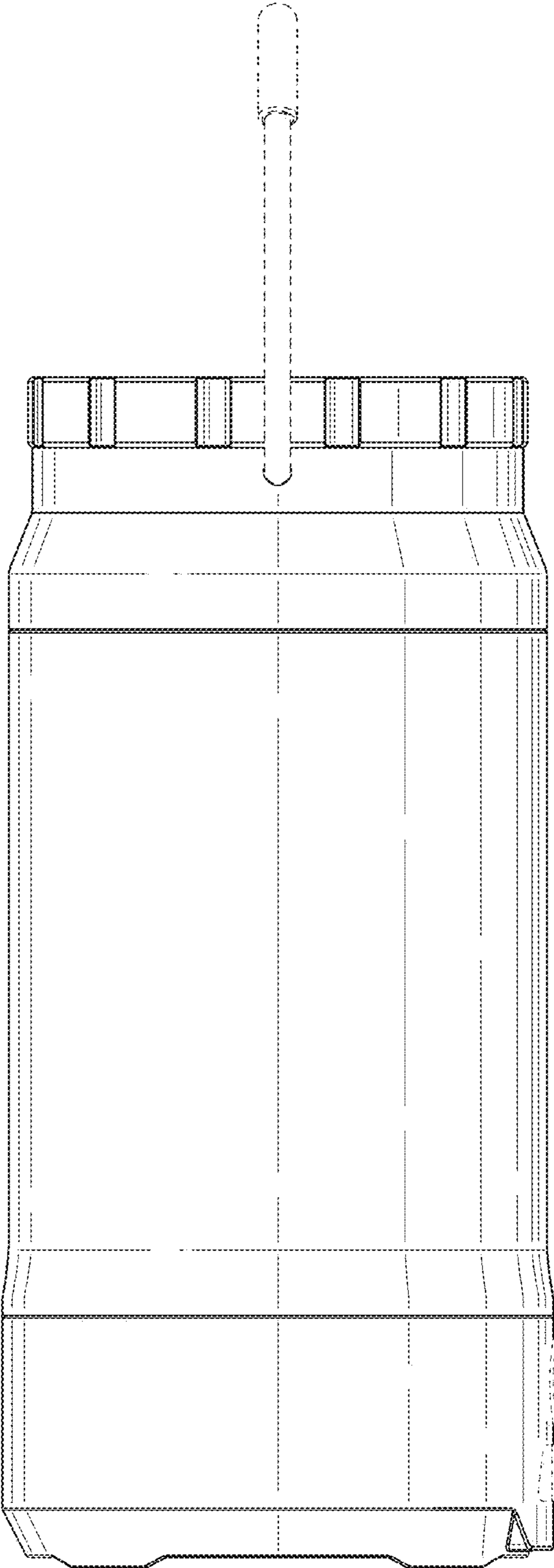


FIG. 5

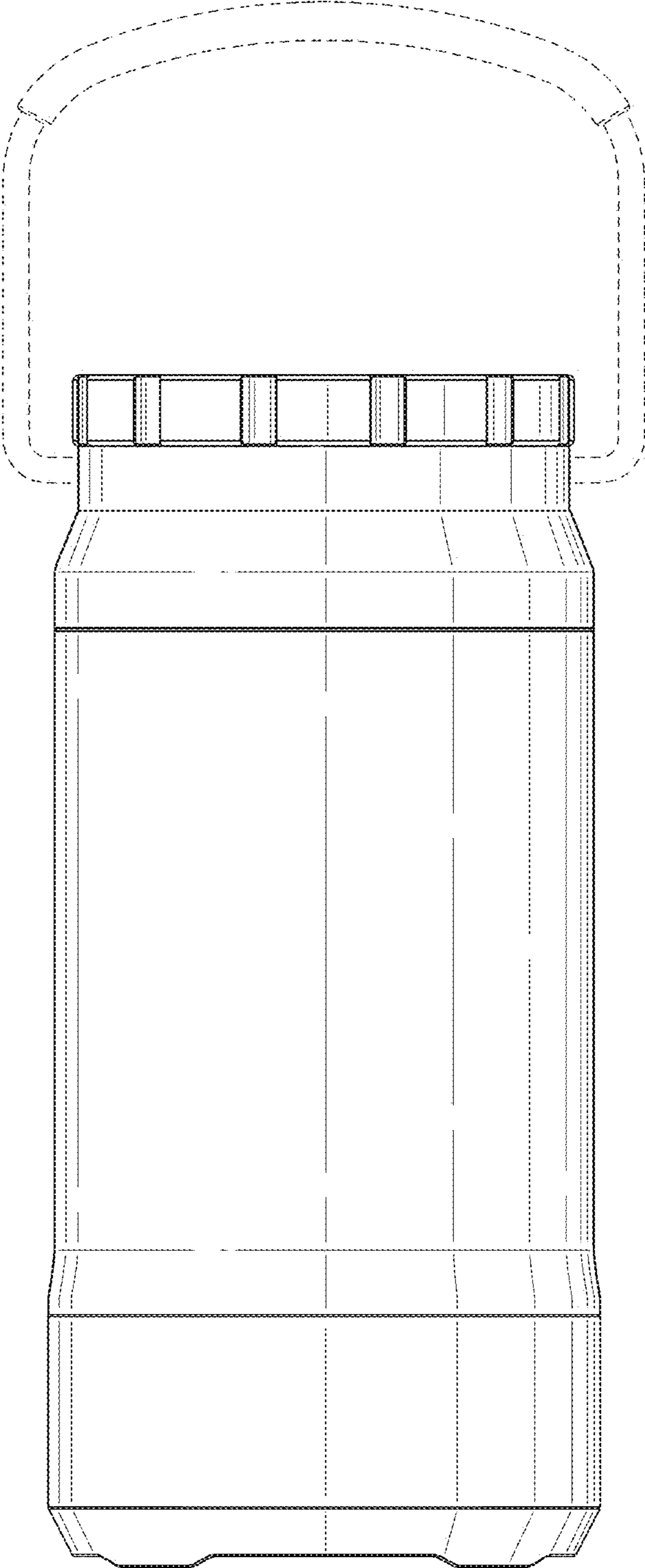


FIG. 6

