



US00D929557S

(12) **United States Design Patent** (10) **Patent No.:** **US D929,557 S**
Du (45) **Date of Patent:** **** Aug. 31, 2021**

(54) **FILTER**
(71) Applicant: **Tianjin Bright Sight Commerce Co., Ltd.**, Tianjin (CN)
(72) Inventor: **Zhigang Du**, Tianjin (CN)
(**) Term: **15 Years**
(21) Appl. No.: **29/721,698**
(22) Filed: **Jan. 22, 2020**
(51) **LOC (13) Cl.** **23-04**
(52) **U.S. Cl.**
USPC **D23/365**
(58) **Field of Classification Search**
USPC D23/209, 314, 325, 333-336, 355-366, D23/386-388
CPC Y10T 428/1366; B32B 2597/00; B01D 46/00; B01D 46/0004; B01D 27/04; F25D 17/042; A61L 9/01
See application file for complete search history.

D660,913 S * 5/2012 Podd D20/42
D727,857 S * 4/2015 Acera D13/162
D733,278 S * 6/2015 Newlin D23/366
D754,315 S * 4/2016 Morin D23/365
D810,908 S * 2/2018 Mork D23/365
D835,918 S * 12/2018 Lattorre D6/300
D890,317 S * 7/2020 Riley D23/366
D896,362 S * 9/2020 Riley D23/366
2020/0338487 A1* 10/2020 Chuang B01D 46/0093

* cited by examiner

Primary Examiner — John A Voytek
(74) *Attorney, Agent, or Firm* — Jiangip LLC; Yanling Jiang

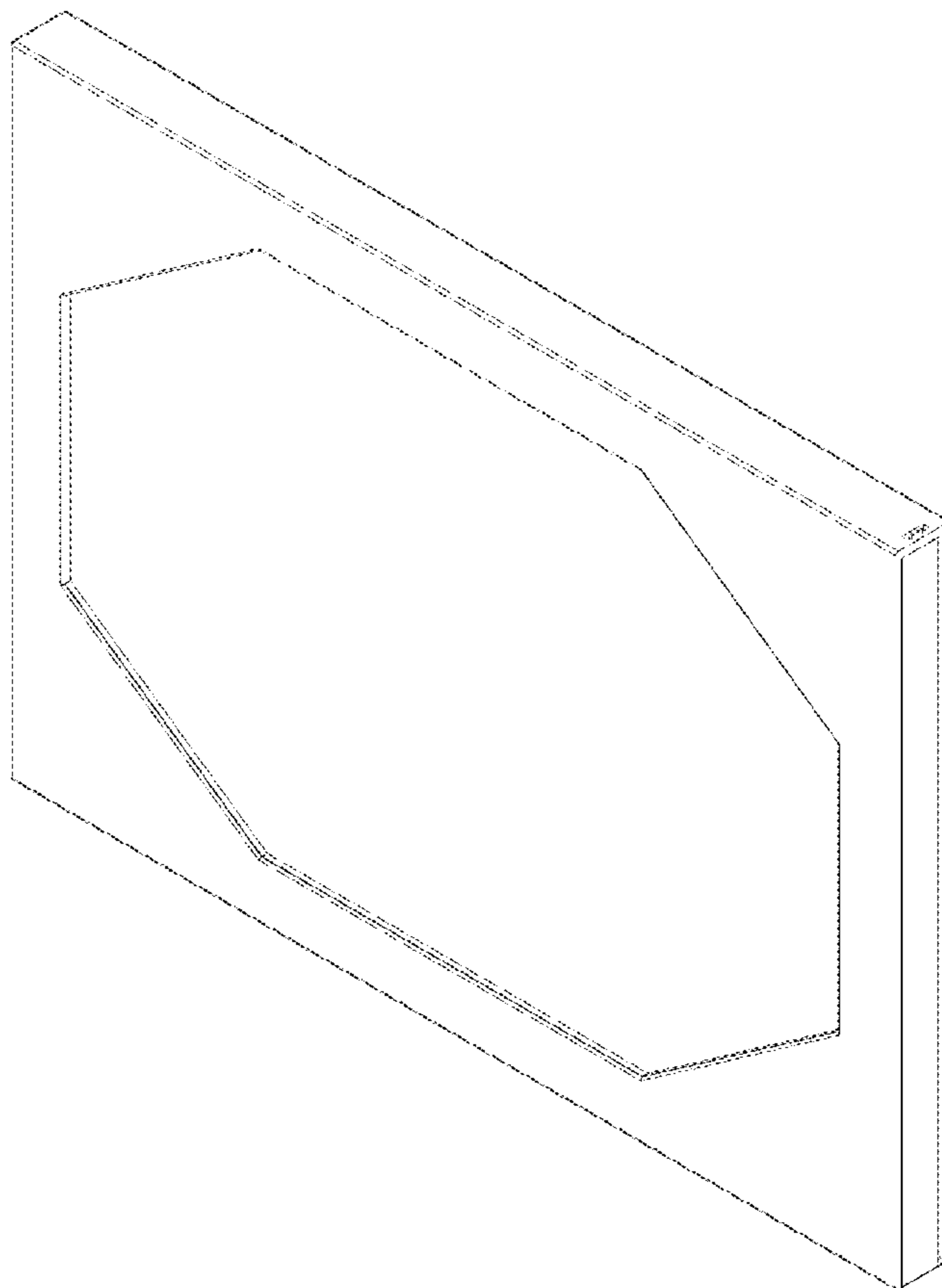
(57) **CLAIM**
The ornamental design for a filter, as shown and described.

DESCRIPTION

FIG. 1 is a top right perspective view of a filter, showing my new design;
FIG. 2 is a front elevation view thereof;
FIG. 3 is a rear elevation view thereof;
FIG. 4 is a top plan view thereof;
FIG. 5 is a bottom plan view thereof;
FIG. 6 is a side view thereof; and,
FIG. 7 is an opposite side view thereof.
The broken lines depict portions of the filter which form no part of the claimed design.

1 Claim, 7 Drawing Sheets

(56) **References Cited**
U.S. PATENT DOCUMENTS
D366,107 S * 1/1996 Shaffer D20/18
D481,113 S * 10/2003 Groene D23/366
D557,874 S * 12/2007 Dong D34/38
D614,871 S * 5/2010 Tang D6/308



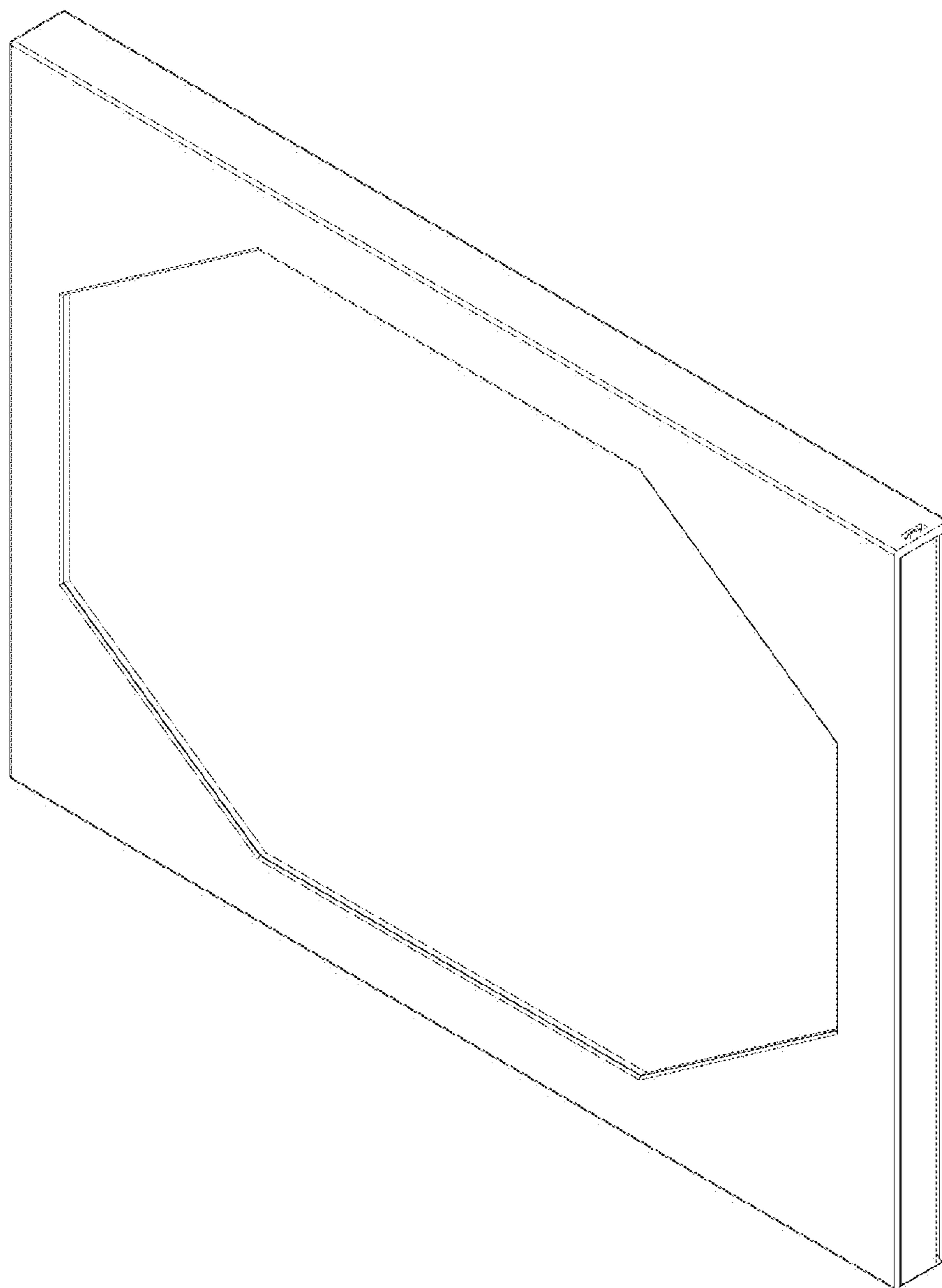


FIG. 1

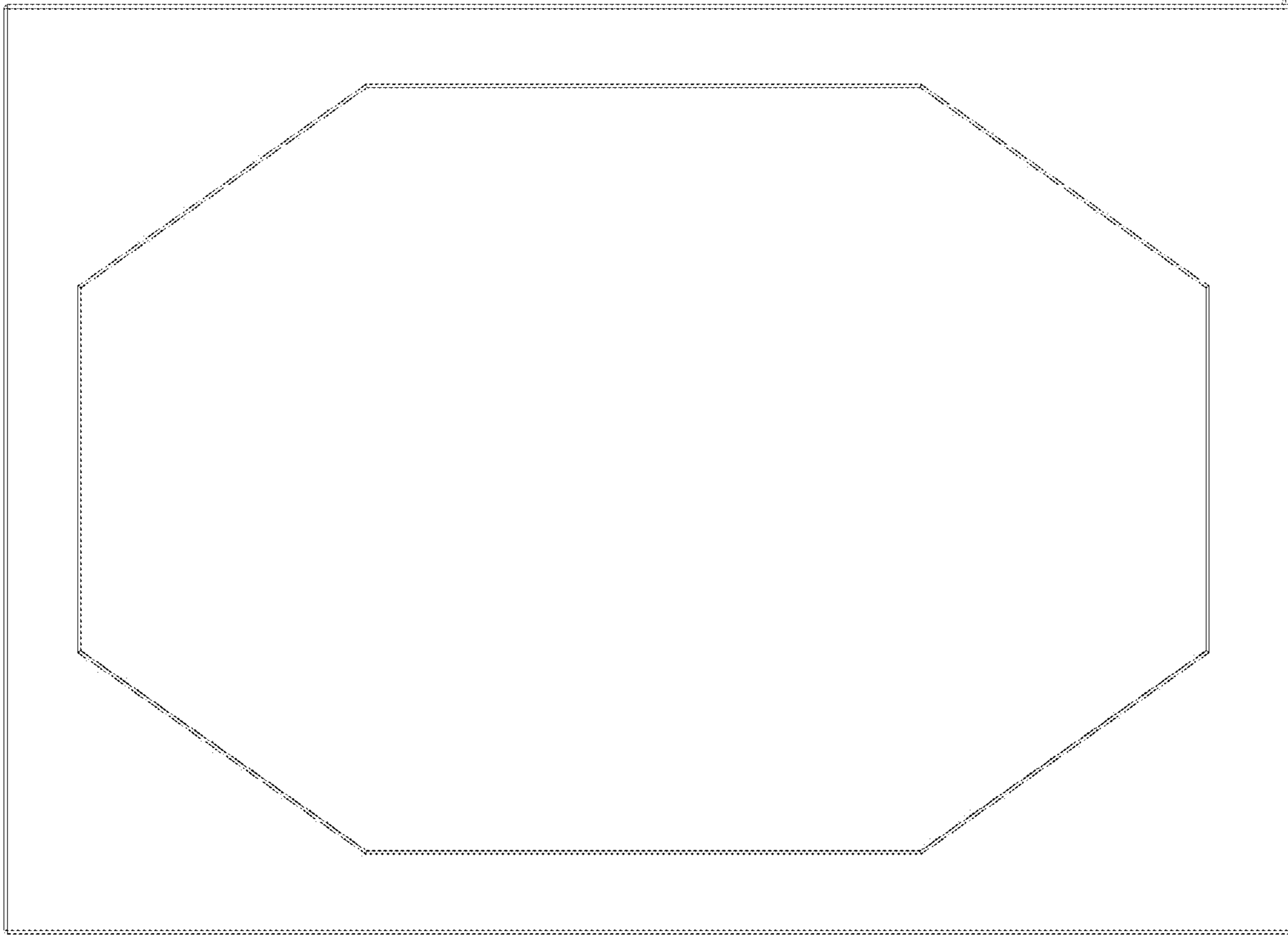


FIG.2

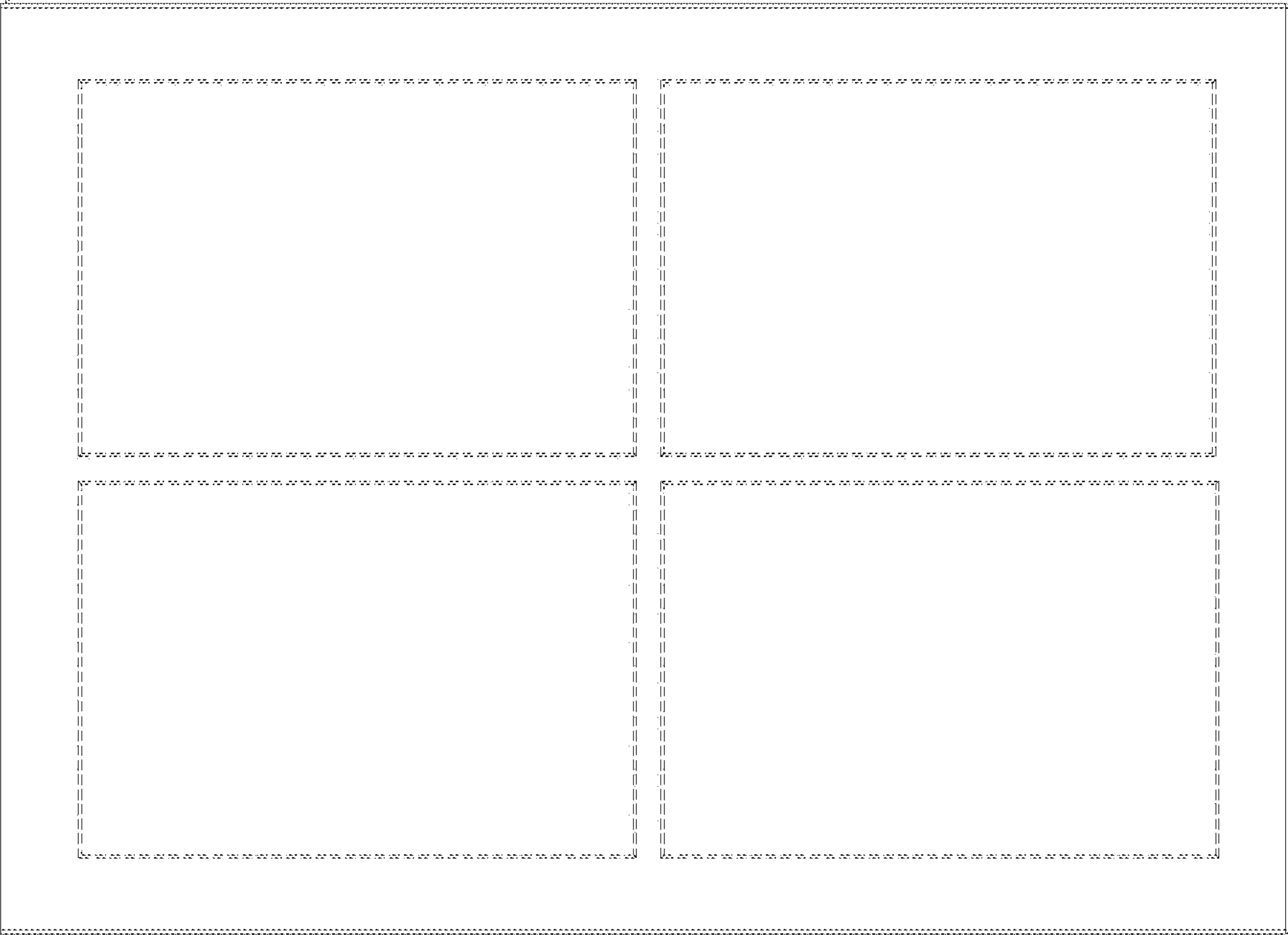


FIG.3



FIG.4



FIG.5



FIG.6

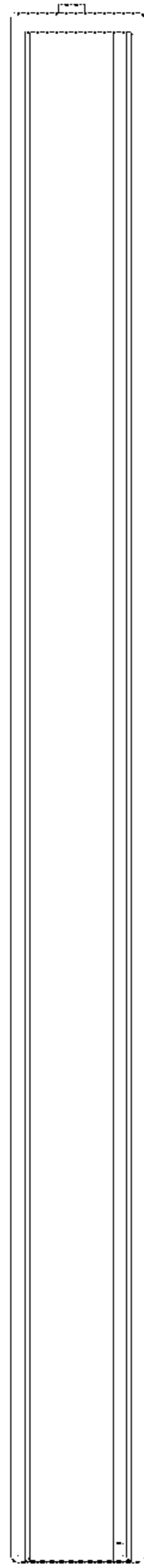


FIG.7