



US00D929553S

(12) **United States Design Patent**
Hattori et al.

(10) **Patent No.:** **US D929,553 S**

(45) **Date of Patent:** **** Aug. 31, 2021**

(54) **INSULATING MATERIAL FOR ELECTRIC COMPRESSOR**

(71) Applicant: **mitsubishi heavy industries thermal systems, ltd.**, Tokyo (JP)

(72) Inventors: **Makoto Hattori**, Tokyo (JP); **Hiroyuki Kamitani**, Tokyo (JP); **Hiroto Higuchi**, Tokyo (JP); **Takayuki Takashige**, Tokyo (JP)

(73) Assignee: **mitsubishi heavy industries thermal systems, ltd.**, Tokyo (JP)

(**) Term: **15 Years**

(21) Appl. No.: **29/708,772**

(22) Filed: **Oct. 9, 2019**

(30) **Foreign Application Priority Data**

Apr. 12, 2019 (JP) 2019-008051

(51) **LOC (13) Cl.** **12-16**

(52) **U.S. Cl.**
USPC **D23/324; D23/341**

(58) **Field of Classification Search**
USPC D15/6-9, 9.1, 9.2; D23/225, 231, 232, D23/314, 324, 325, 328, 341, 499
CPC H02G 3/22; H02K 5/12; F04C 2240/20; F04C 2240/803
See application file for complete search history.

(56) **References Cited**

U.S. PATENT DOCUMENTS

D293,021 S * 12/1987 McCartney D23/314
D376,412 S * 12/1996 Bodell D23/233

D534,628 S * 1/2007 Chisenhall D12/192
D587,358 S * 2/2009 Stephan D23/314
D622,738 S * 8/2010 Huang D15/9
D665,902 S * 8/2012 Esjunin D23/499
D695,788 S * 12/2013 Wilkinson D15/7
D695,882 S * 12/2013 Rejkowski D23/324
D706,832 S * 6/2014 Bayyouk D15/7
10,027,098 B1 * 7/2018 Ciappa H02G 3/22
D868,951 S * 12/2019 Rejkowski D23/324

OTHER PUBLICATIONS

Automotive Air Conditioners, posted on mhi-mth.co.jp, no posted date given, no production date given, [online], [site visited May 17, 2021], online, URL: https://www.mhi-mth.co.jp/en/products/detail/car_air_conditioning.html (Year: 2021).*

* cited by examiner

Primary Examiner — Michael C Stout

Assistant Examiner — Fritzgerald L Butac

(74) *Attorney, Agent, or Firm* — Birch, Stewart, Kolasch & Birch, LLP.

(57) **CLAIM**

The ornamental design for an insulating material for electric compressor, as shown and described.

DESCRIPTION

FIG. 1 is a perspective view of an insulating material for electric compressor.

FIG. 2 is a front view thereof.

FIG. 3 is a rear view thereof.

FIG. 4 is a left side view thereof.

FIG. 5 is a right side view thereof.

FIG. 6 is a top view thereof; and,

FIG. 7 is a bottom view thereof.

1 Claim, 7 Drawing Sheets

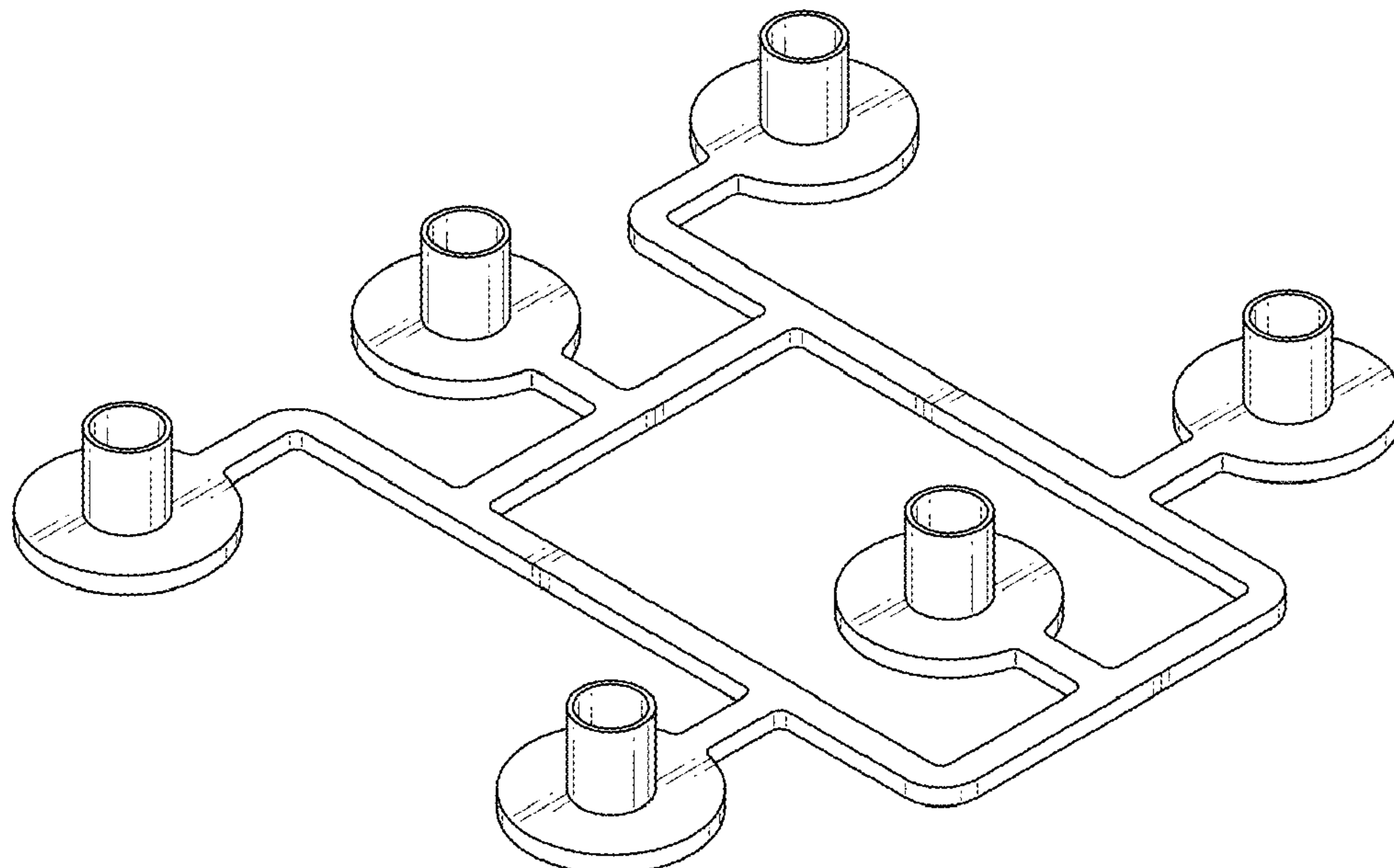


FIG. 1

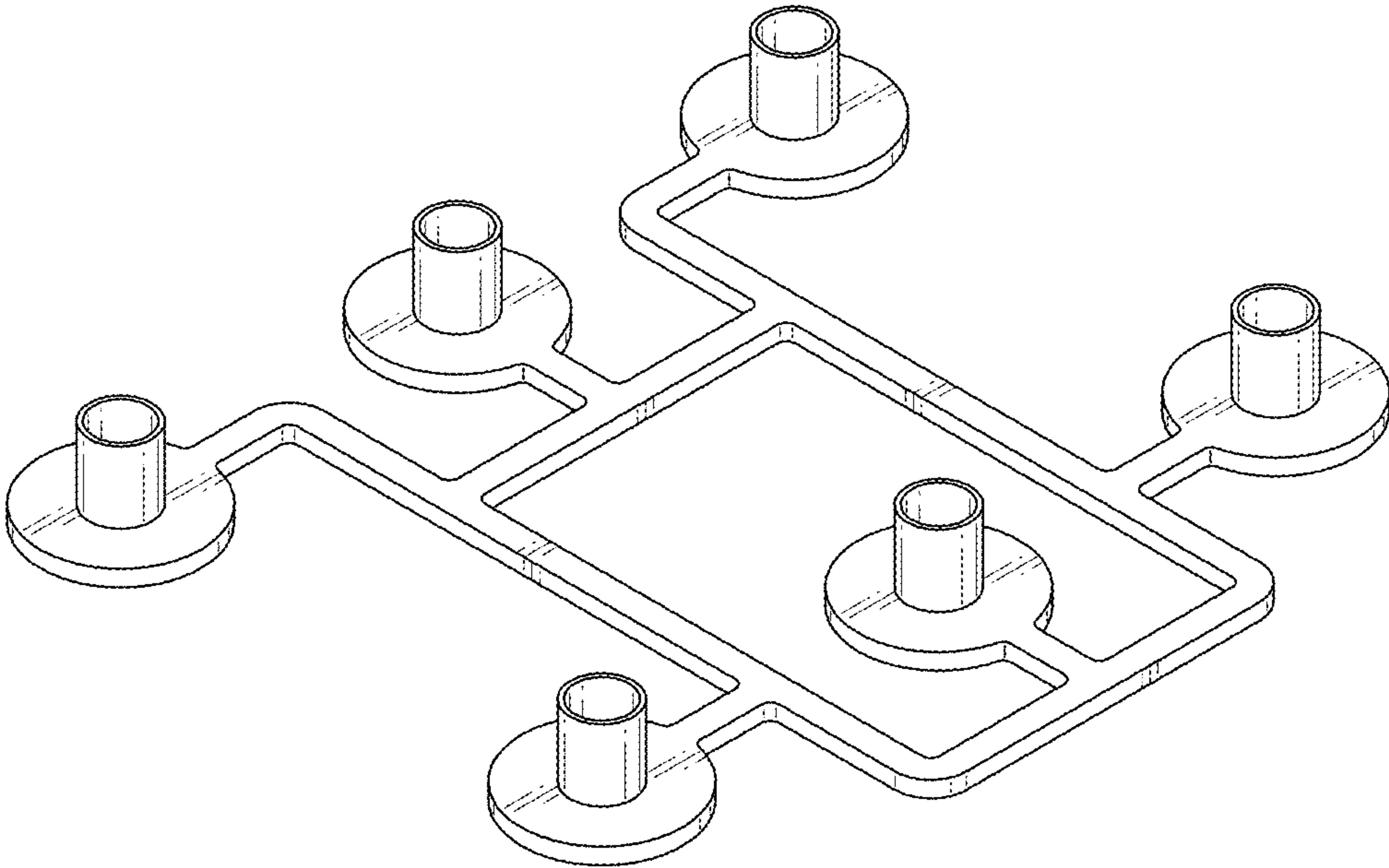


FIG. 2

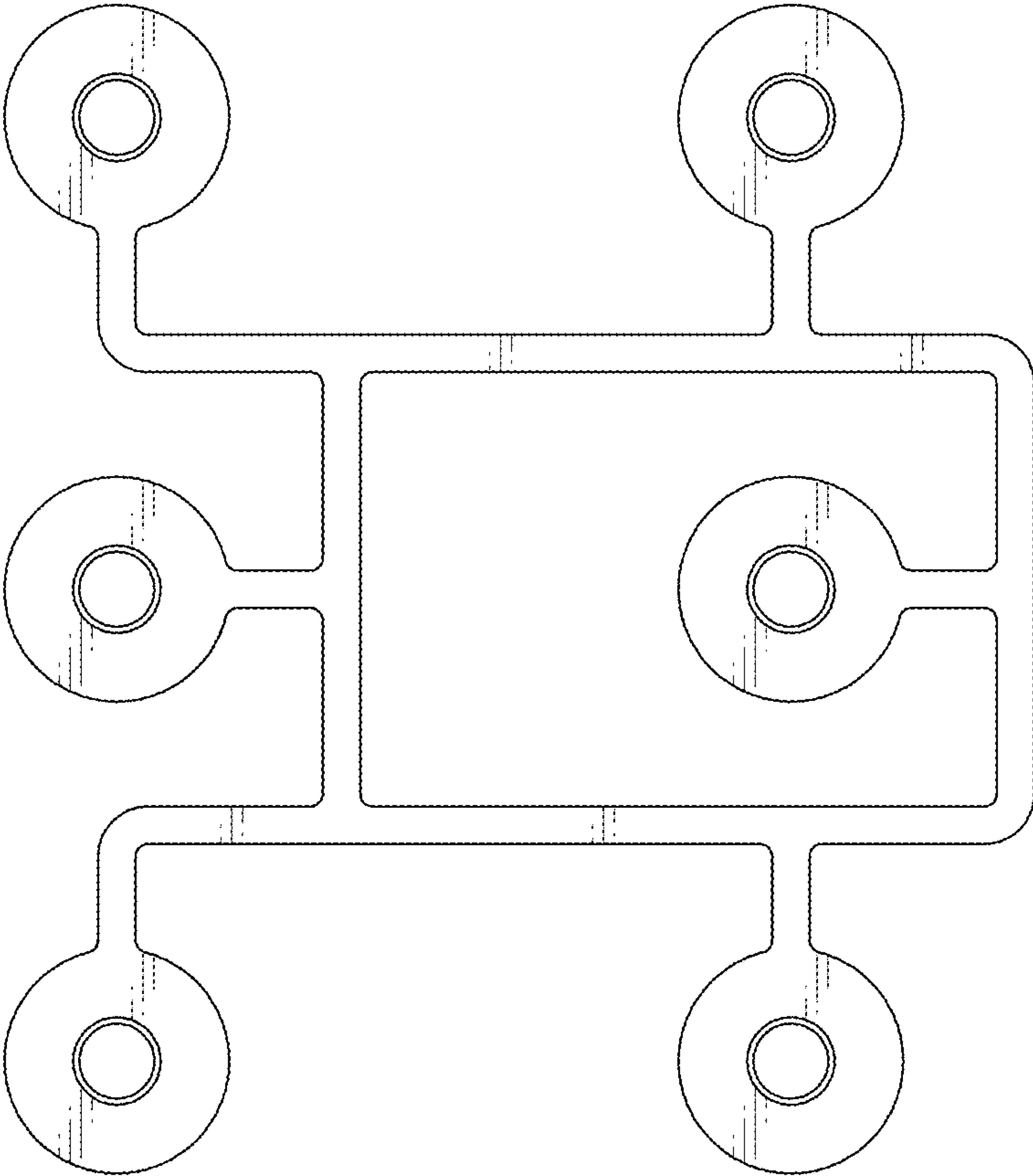


FIG. 3

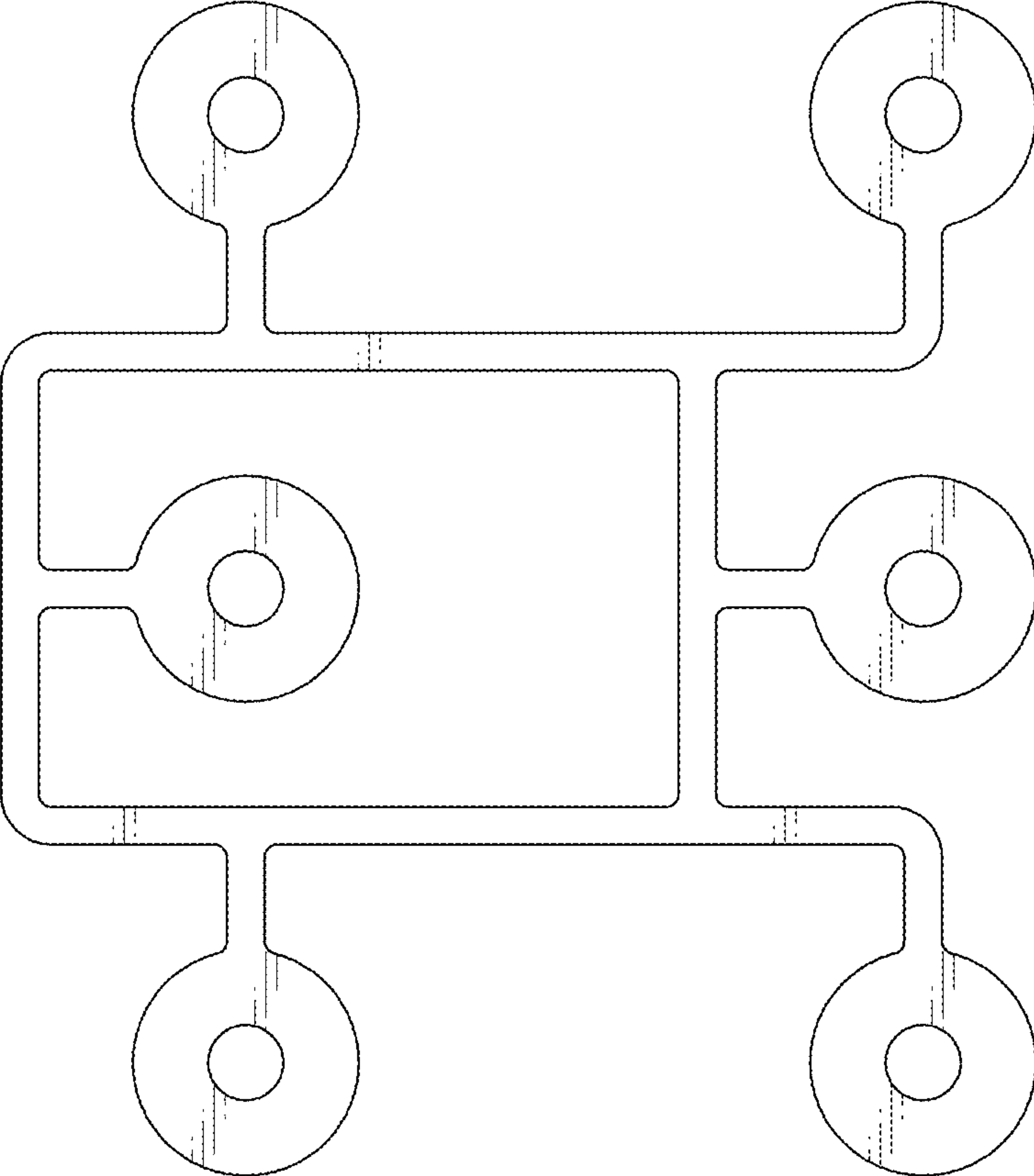


FIG. 4

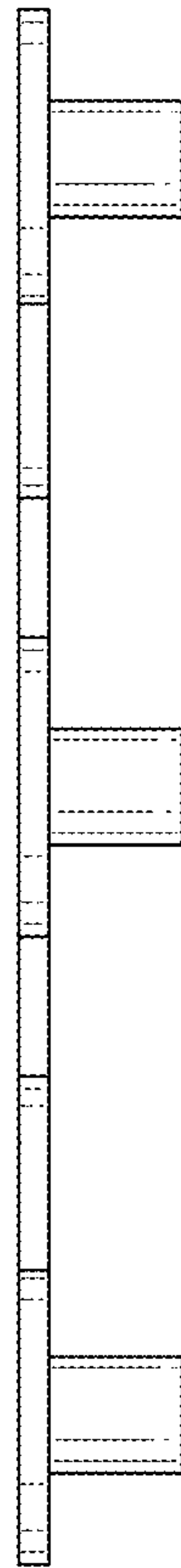


FIG. 5

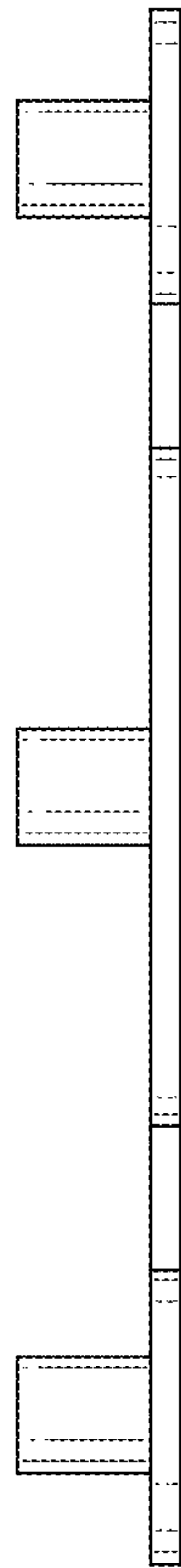


FIG. 6



FIG. 7

