



US00D929551S

(12) **United States Design Patent** (10) **Patent No.:** **US D929,551 S**
Moller et al. (45) **Date of Patent:** **** Aug. 31, 2021**

(54) **SINK**
(71) Applicant: **Kohler Co.**, Kohler, WI (US)
(72) Inventors: **Adam M. Moller**, Grafton, WI (US);
Shawn J. Booth, Sheboygan, WI (US);
Richard C. Kong, Sheboygan, WI (US)
(73) Assignee: **Kohler Co.**, Kohler, WI (US)
(**) Term: **15 Years**
(21) Appl. No.: **29/768,110**
(22) Filed: **Jan. 27, 2021**

D609,315 S 2/2010 Soulier
D710,978 S 8/2014 Spangler
D854,129 S 7/2019 Kluck
D890,311 S 7/2020 Belozerova
D912,225 S * 3/2021 Moller D23/284
2021/0015307 A1* 1/2021 Oberholzer E03C 1/182

* cited by examiner

Primary Examiner — Robert A Delehanty
(74) *Attorney, Agent, or Firm* — Lempia Summerfield
Katz LLC

Related U.S. Application Data

(62) Division of application No. 29/692,255, filed on May 23, 2019, now Pat. No. Des. 912,224.
(51) **LOC (13) Cl.** **23-02**
(52) **U.S. Cl.**
USPC **D23/308**
(58) **Field of Classification Search**
USPC D23/284, 286, 293.1, 308
CPC A47B 77/06
See application file for complete search history.

References Cited

U.S. PATENT DOCUMENTS

D274,642 S 7/1984 Doman
D282,201 S 1/1986 Doman
D295,669 S 5/1988 Kolada
D295,670 S 5/1988 Reid
D319,691 S 9/1991 Yvetot
D337,376 S 7/1993 Ragonot
D507,334 S 7/2005 Ferrer

(57) **CLAIM**

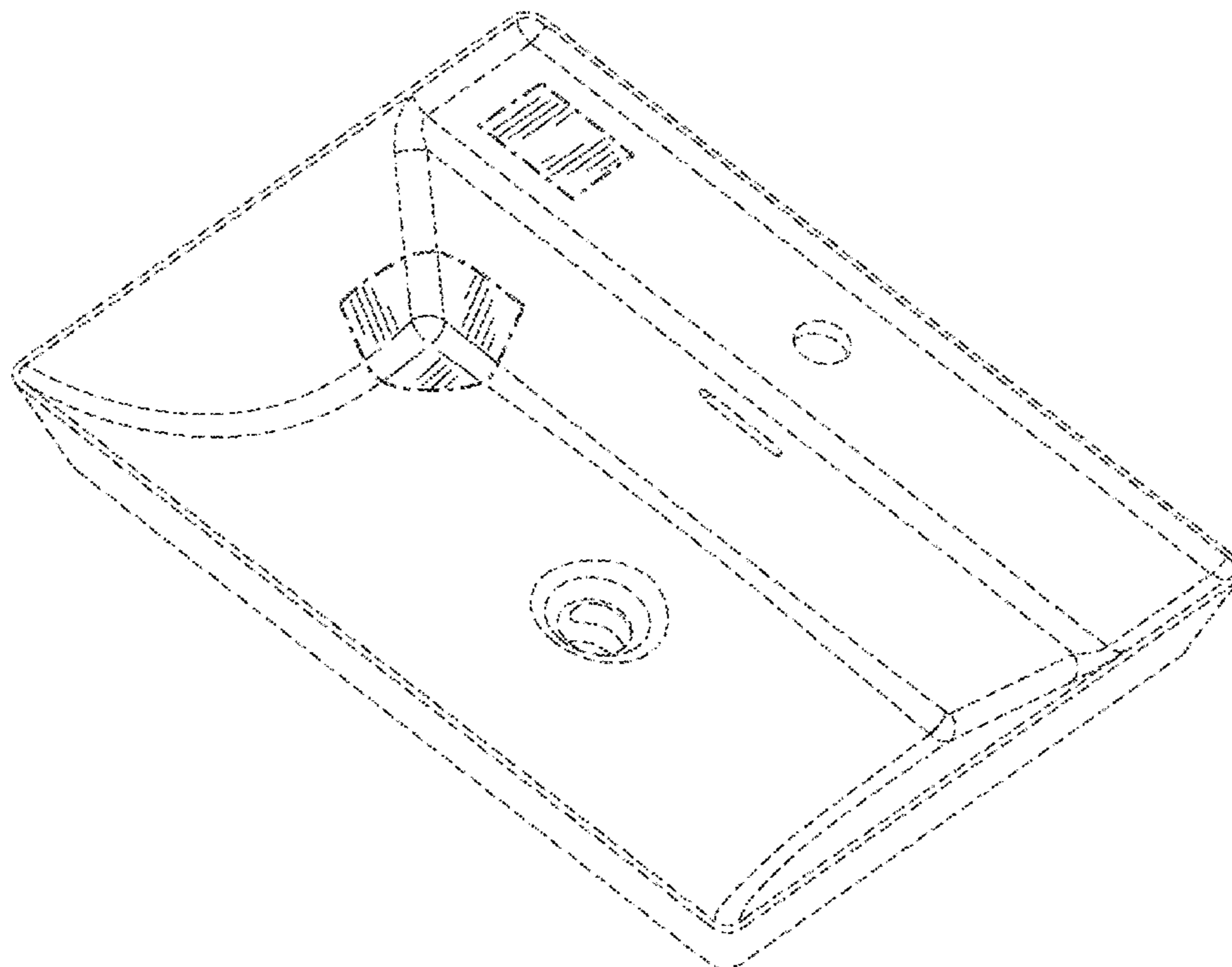
We claim the ornamental design for a sink, as shown and described.

DESCRIPTION

FIG. 1 is a perspective view of another embodiment of the claimed design;
FIG. 2 is a top view of the embodiment of FIG. 1;
FIG. 3 is a cross-sectional view taken along line 15-15 in FIG. 2; and,
FIG. 4 is a cross-sectional view taken along line 16-16 in FIG. 2.

The ornamental design that is claimed is shown in the drawings as solid lines and surfaces having surface shading. The broken lines in the drawings are for illustrative purposes only and form no part of the claimed design. For example, broken lines formed by equal length dashes show unclaimed portions of the design. Broken lines formed of unequal length dashes (i.e., dash-dot) show boundaries between either claimed and unclaimed portions of the design or between unclaimed and unclaimed portions of the design.

1 Claim, 3 Drawing Sheets



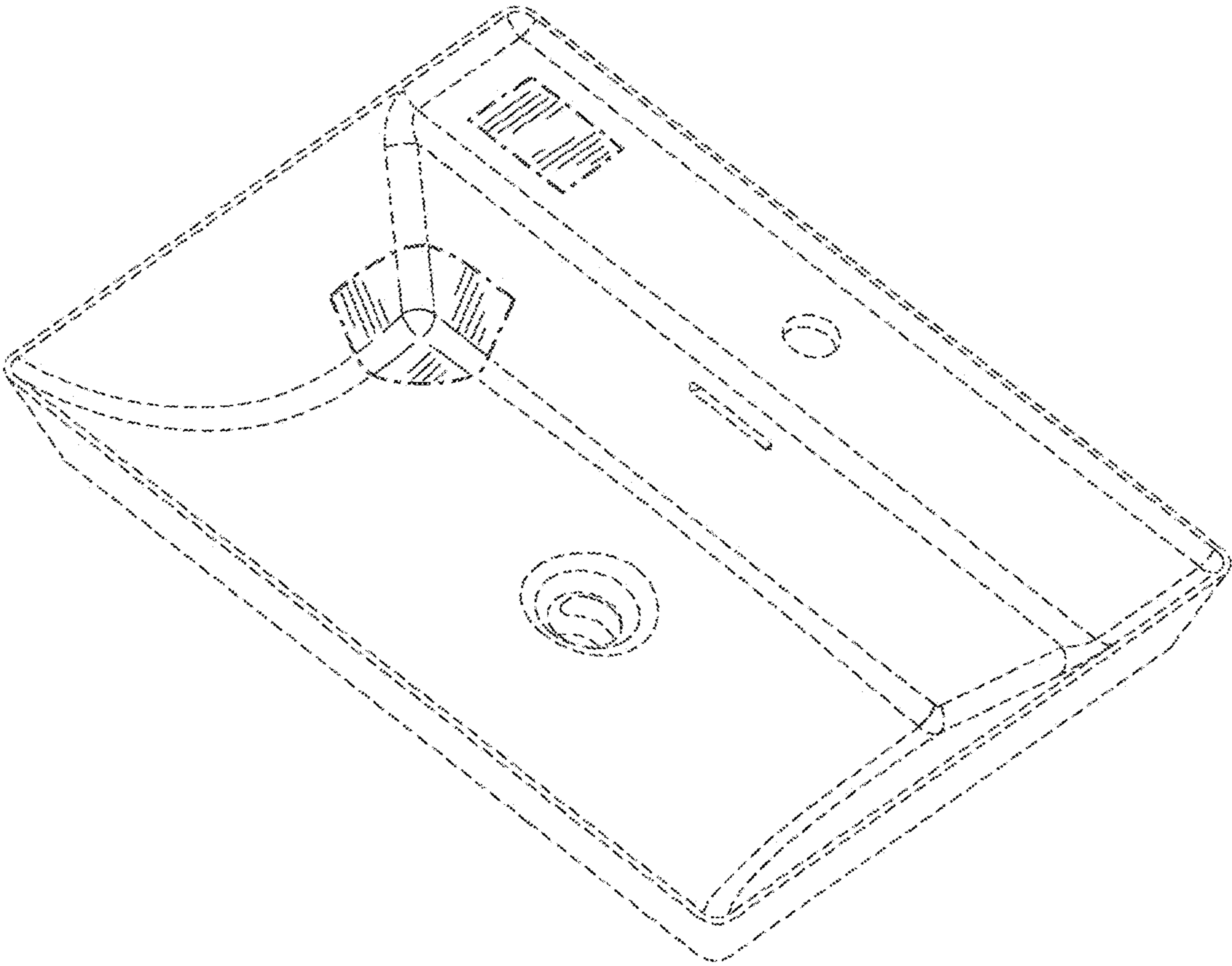


FIG. 1

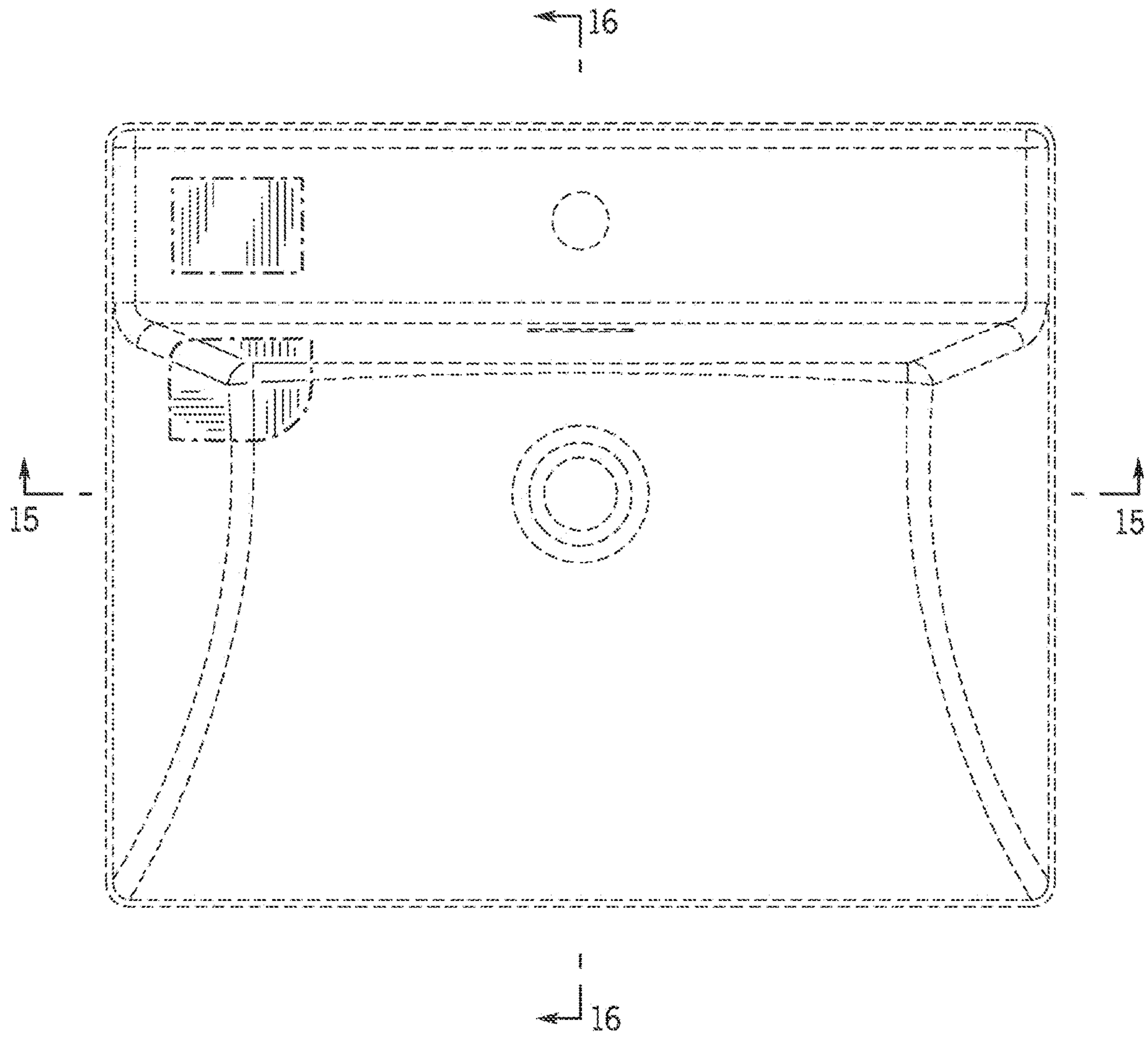


FIG. 2

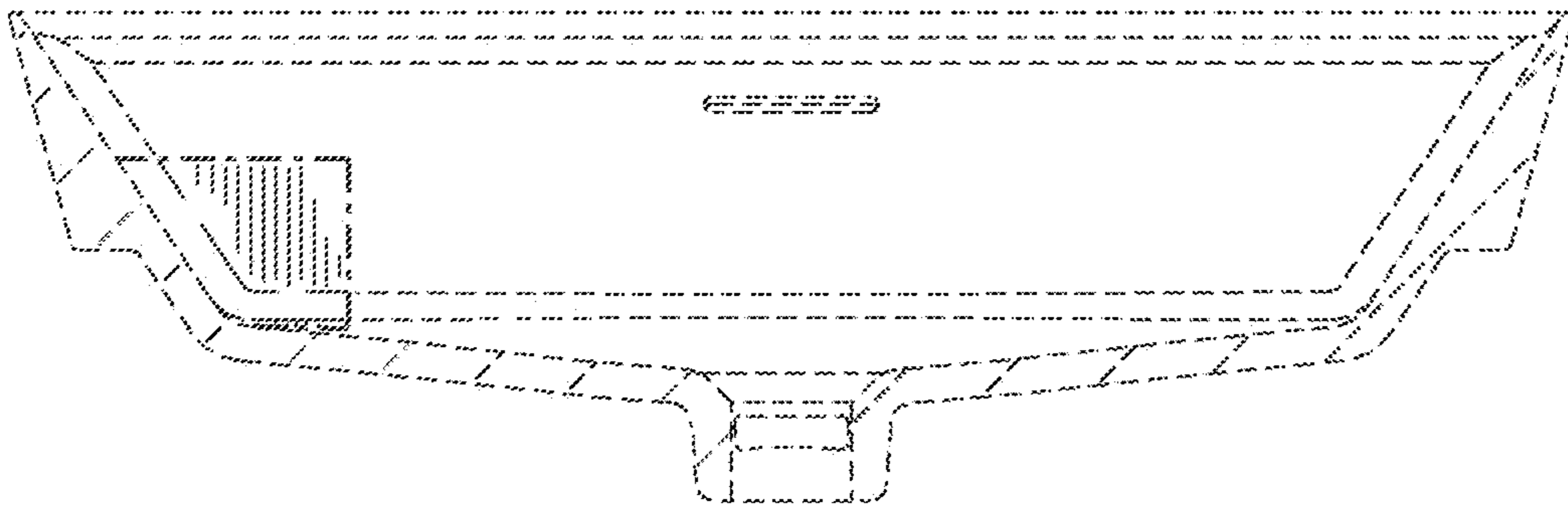


FIG. 3

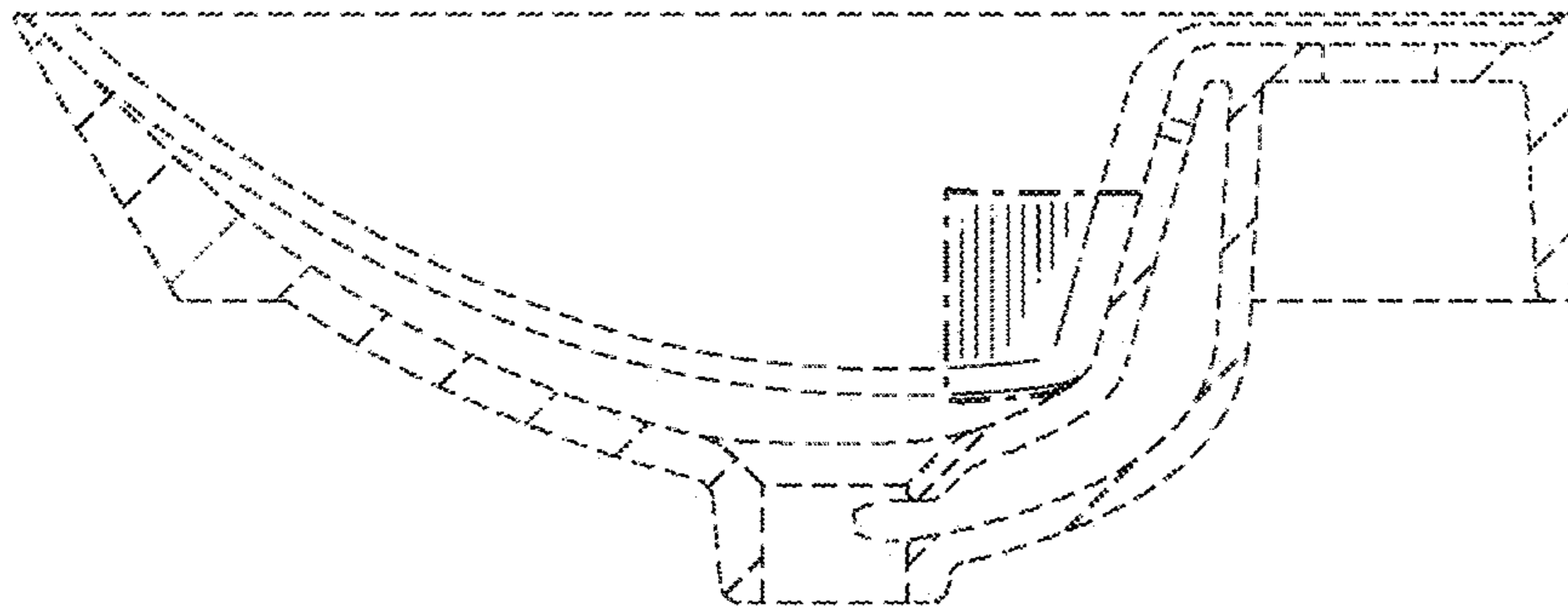


FIG. 4