



US00D929549S

(12) **United States Design Patent** (10) **Patent No.:** **US D929,549 S**
Moller et al. (45) **Date of Patent:** **** Aug. 31, 2021**

(54) **TOILET**
(71) Applicant: **Kohler Co.**, Kohler, WI (US)
(72) Inventors: **Adam M. Moller**, Grafton, WI (US);
Shawn J. Booth, Sheboygan, WI (US);
Richard C. Kong, Sheboygan, WI (US)
(73) Assignee: **Kohler Co.**, Kohler, WI (US)
(**) Term: **15 Years**
(21) Appl. No.: **29/692,252**
(22) Filed: **May 23, 2019**
(51) **LOC (13) Cl.** **23-02**
(52) **U.S. Cl.**
USPC **D23/301**
(58) **Field of Classification Search**
USPC D23/295, 300-301, 309, 313
See application file for complete search history.

Primary Examiner — Robert A Delehanty
(74) *Attorney, Agent, or Firm* — Lempia Summerfield
Katz LLC

(57) **CLAIM**

We claim the ornamental design for a toilet, as shown and described.

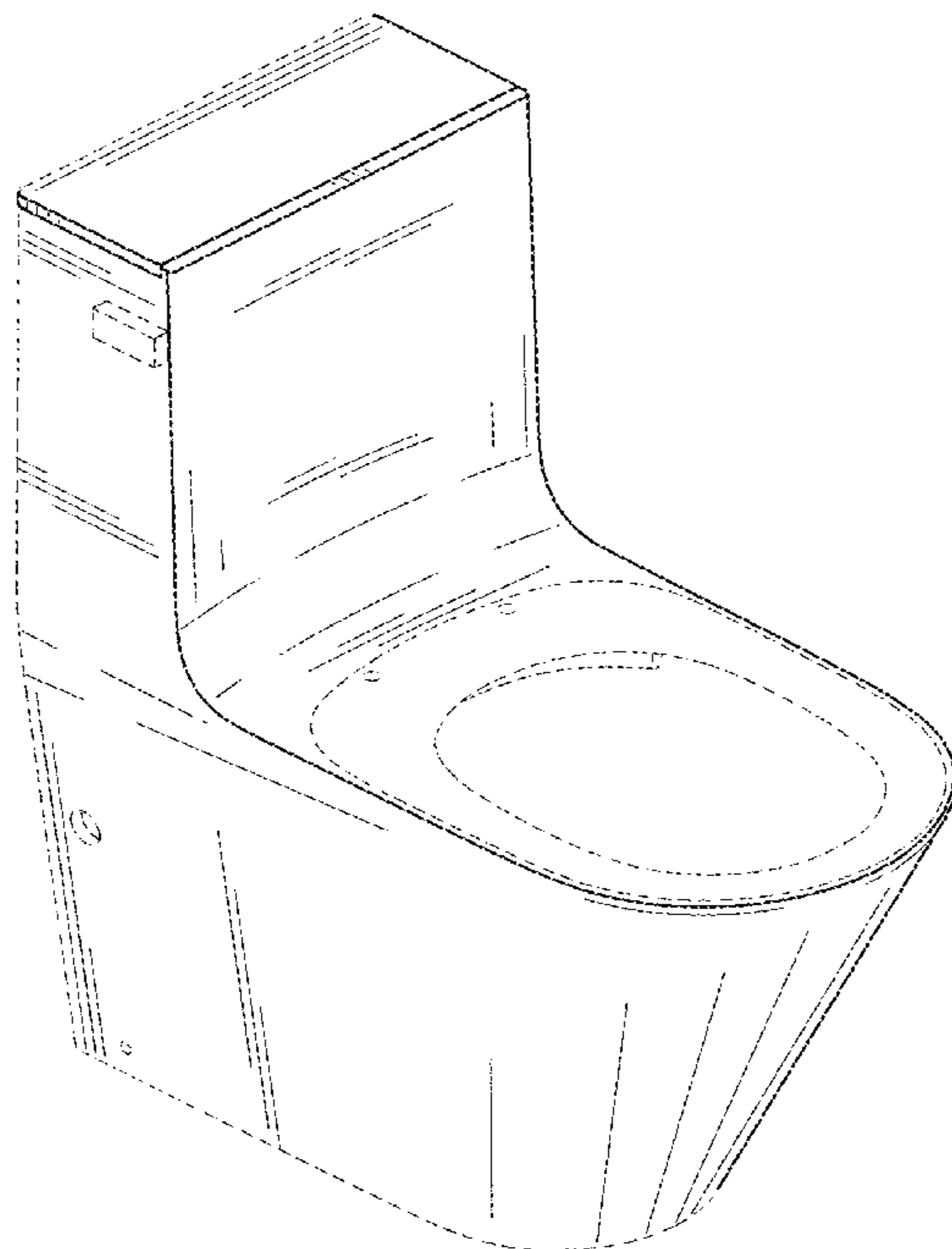
DESCRIPTION

FIG. 1 is a perspective view of the embodiment of the claimed design;
FIG. 2 is a front view of the claimed design shown in FIG. 1;
FIG. 3 is a rear view of the claimed design shown in FIG. 1;
FIG. 4 is a side view of the claimed design shown in FIG. 1;
FIG. 5 is another side view of the claimed design shown in FIG. 1;
FIG. 6 is a top view of the claimed design shown in FIG. 1; and,
FIG. 7 is a bottom view of the claimed design shown in FIG. 1.
The ornamental design which is claimed is shown in solid lines in the drawings. The broken lines in the drawings are for illustrative purposes only and form no part of the claimed design. Broken lines formed of unequal length dashes (i.e., dash-dot) define bounds of the claimed design. Break lines having a jagged element are not part of the claimed design and show that differing lengths (e.g., longer, shorter, etc.) of any portion (e.g., feature) split by a break line are possible.

(56) **References Cited**
U.S. PATENT DOCUMENTS
D309,939 S 8/1990 Yvetot
D349,156 S 7/1994 Kohler, Jr. et al.
D455,202 S 4/2002 Soulier
D496,444 S 9/2004 Kergoet
D508,116 S * 8/2005 Tani D23/301
D594,944 S * 6/2009 Starck D23/301
D653,314 S * 1/2012 Yoshioka D23/301
D654,993 S * 2/2012 Ando D23/301
D708,720 S * 7/2014 Jochim D23/301
D712,525 S * 9/2014 Fullerton, Jr. D23/301
D801,491 S 10/2017 Stevenson et al.
D801,493 S * 10/2017 Bates D23/309
2020/0393284 A1 * 12/2020 Hall E03D 9/00

* cited by examiner

1 Claim, 5 Drawing Sheets



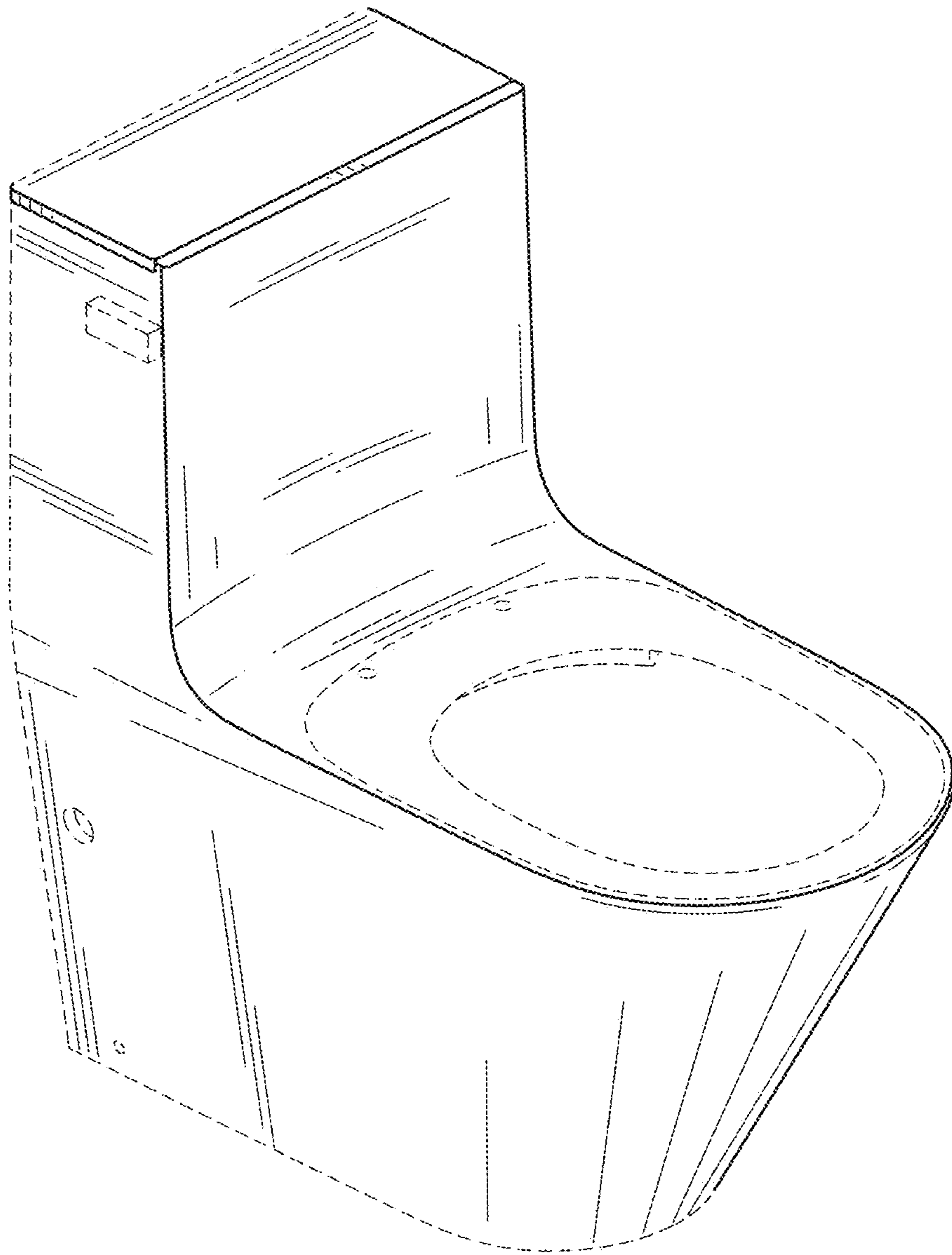


FIG. 1

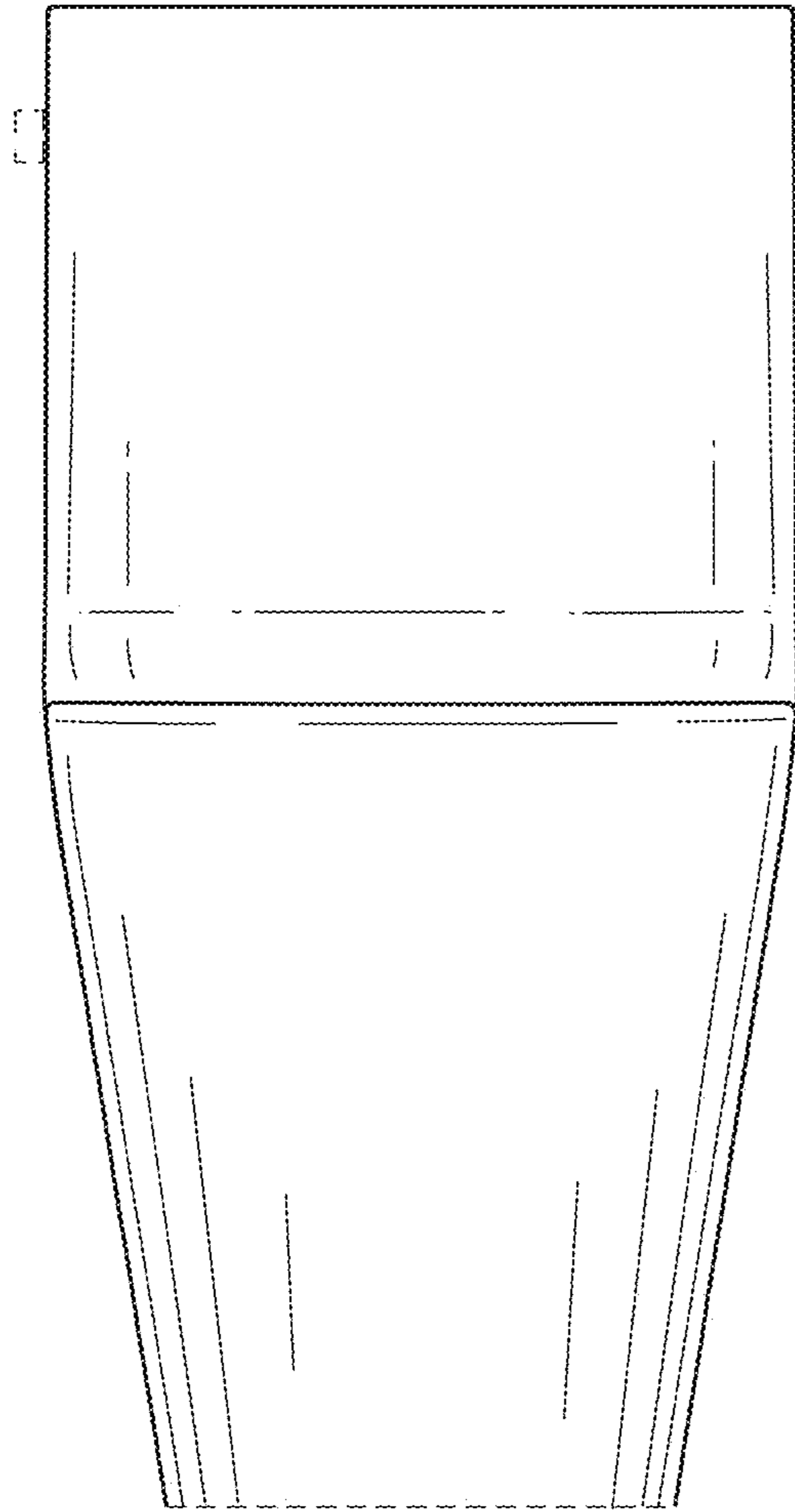


FIG. 2

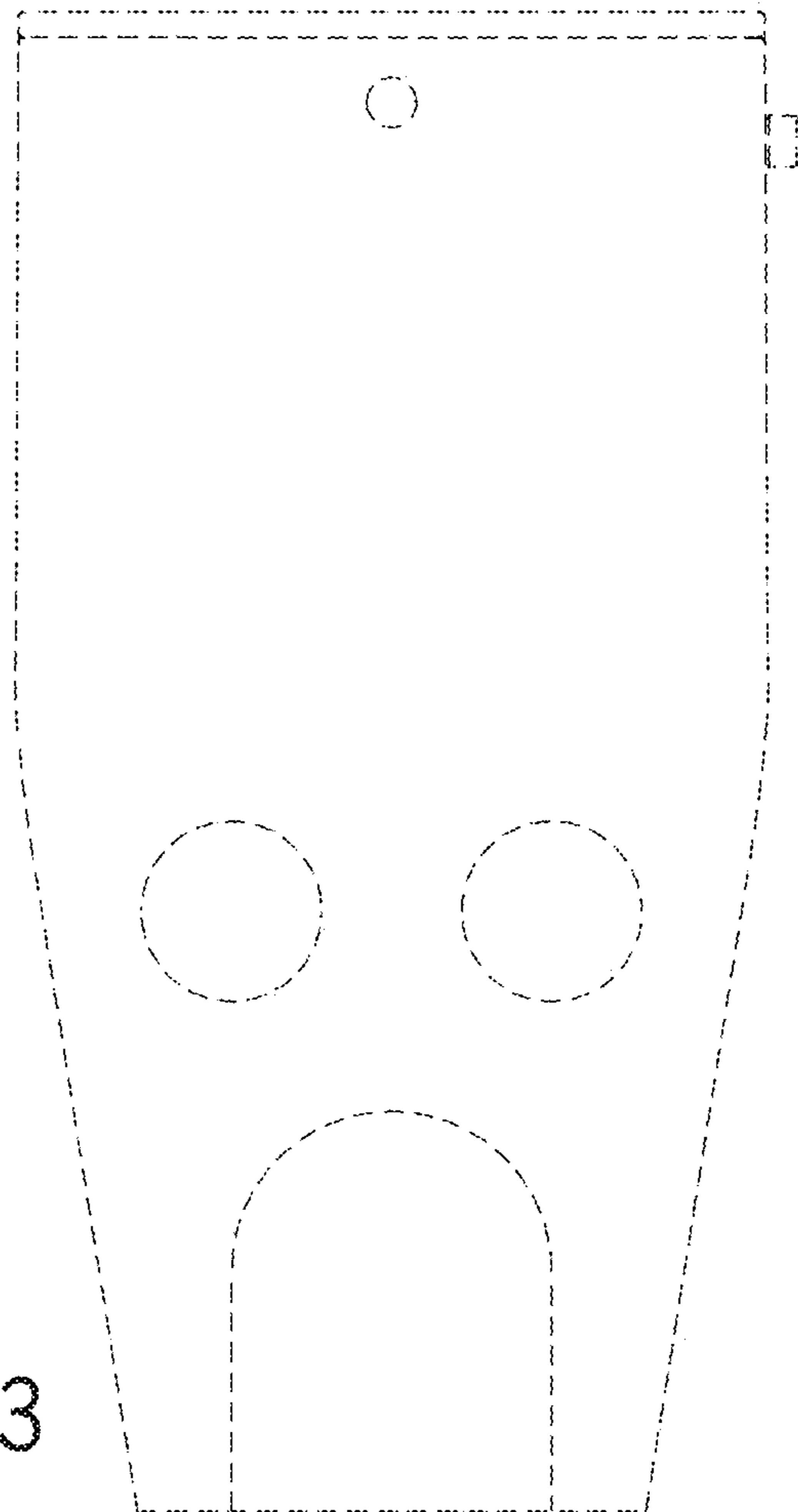


FIG. 3

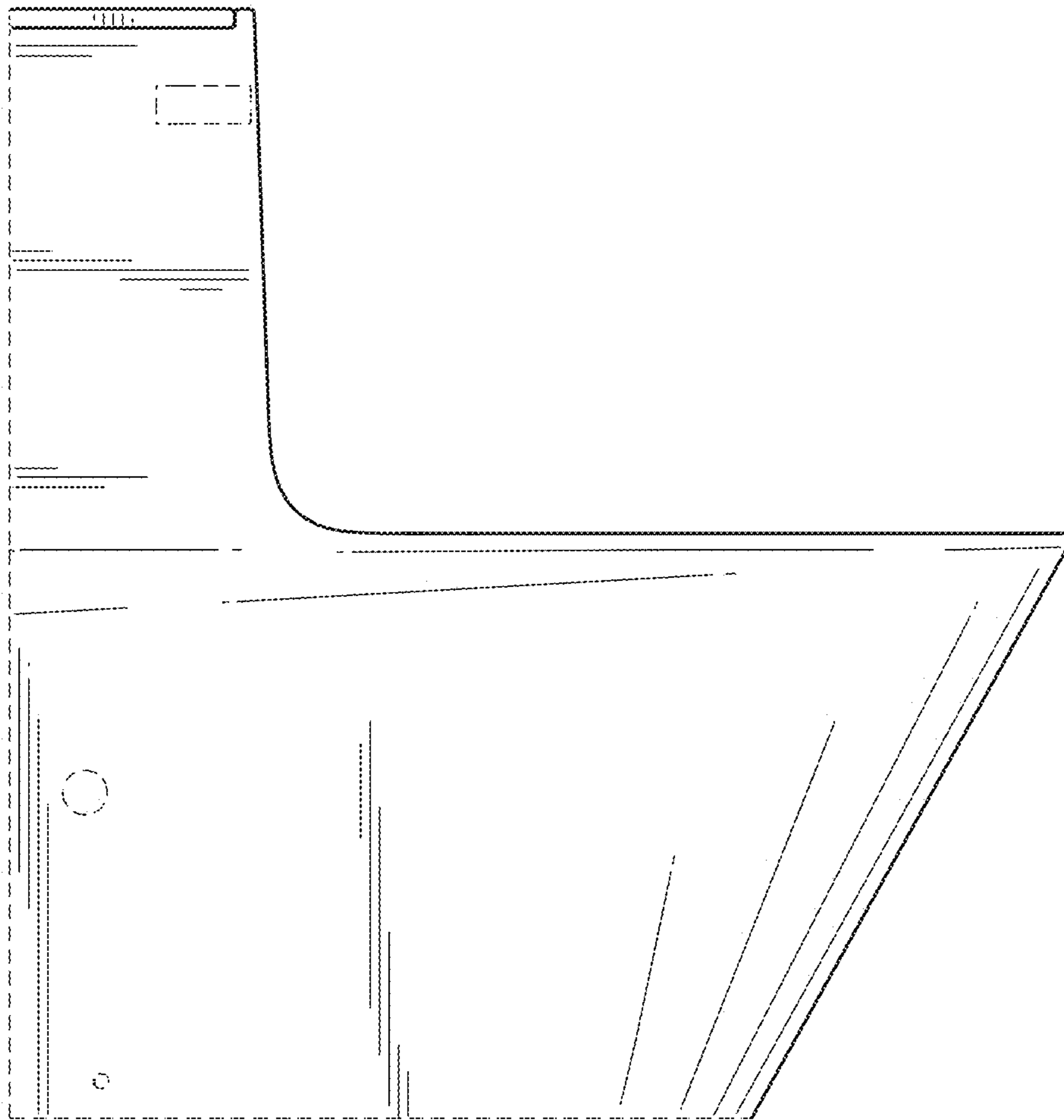


FIG. 4

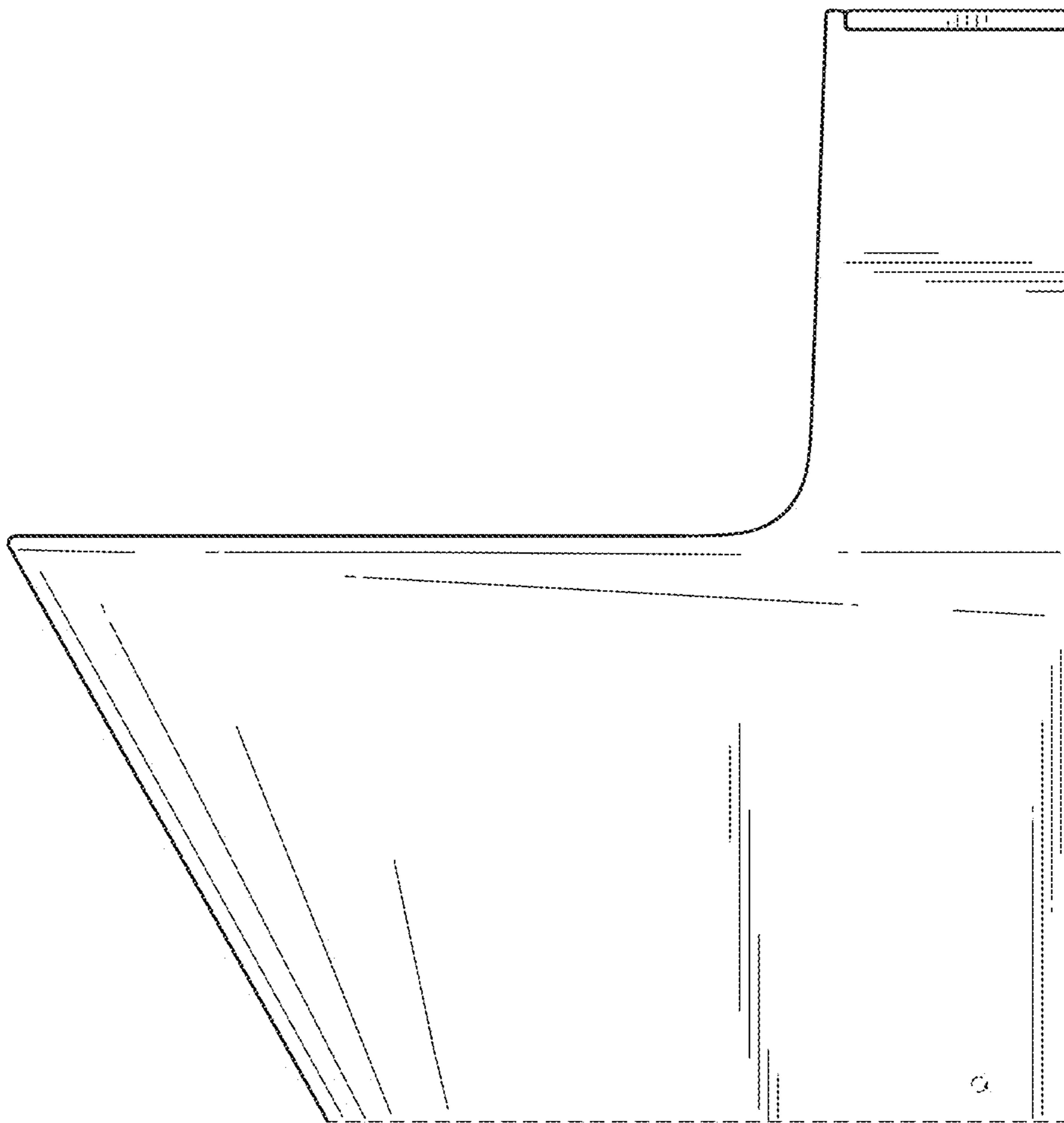


FIG. 5

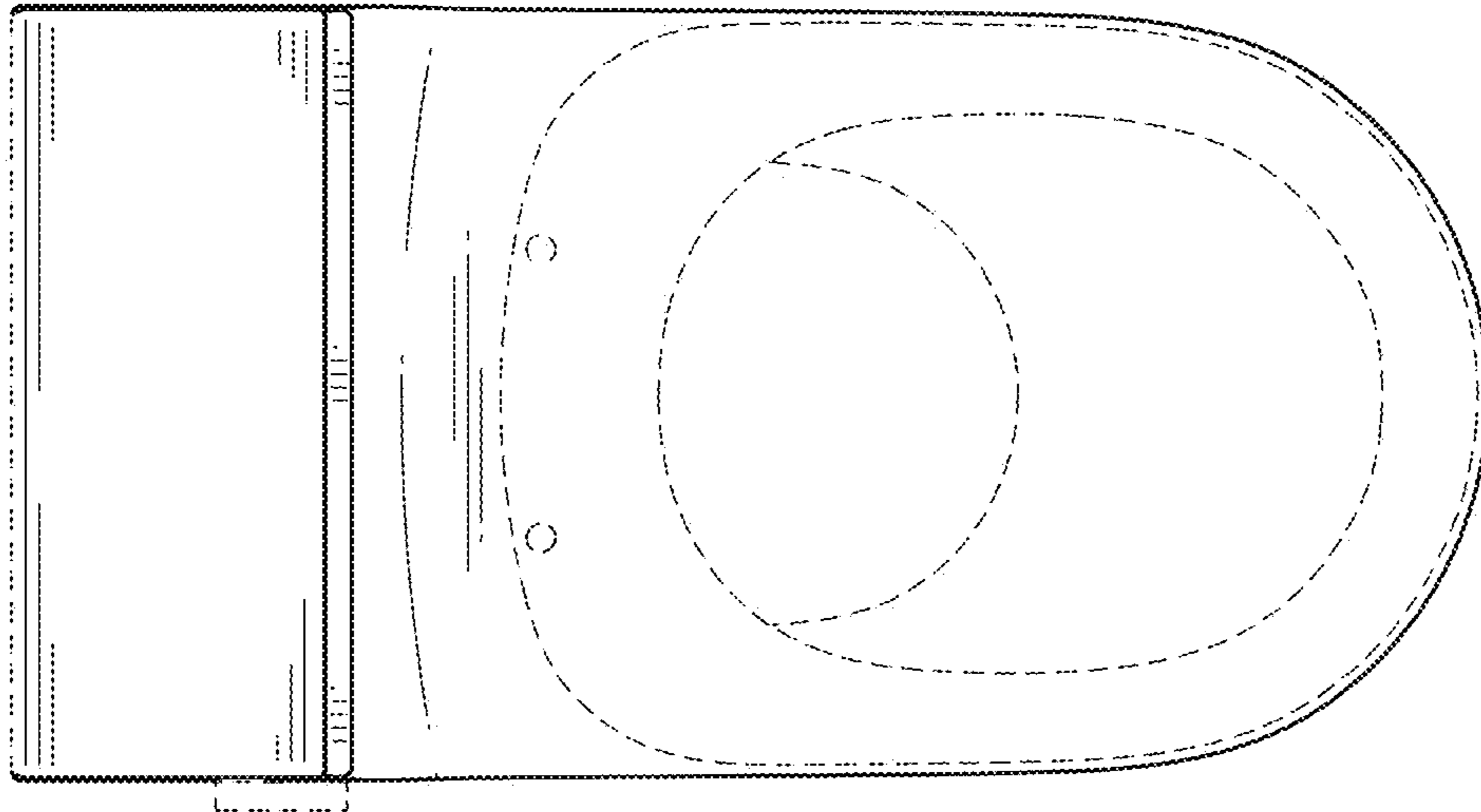


FIG. 6

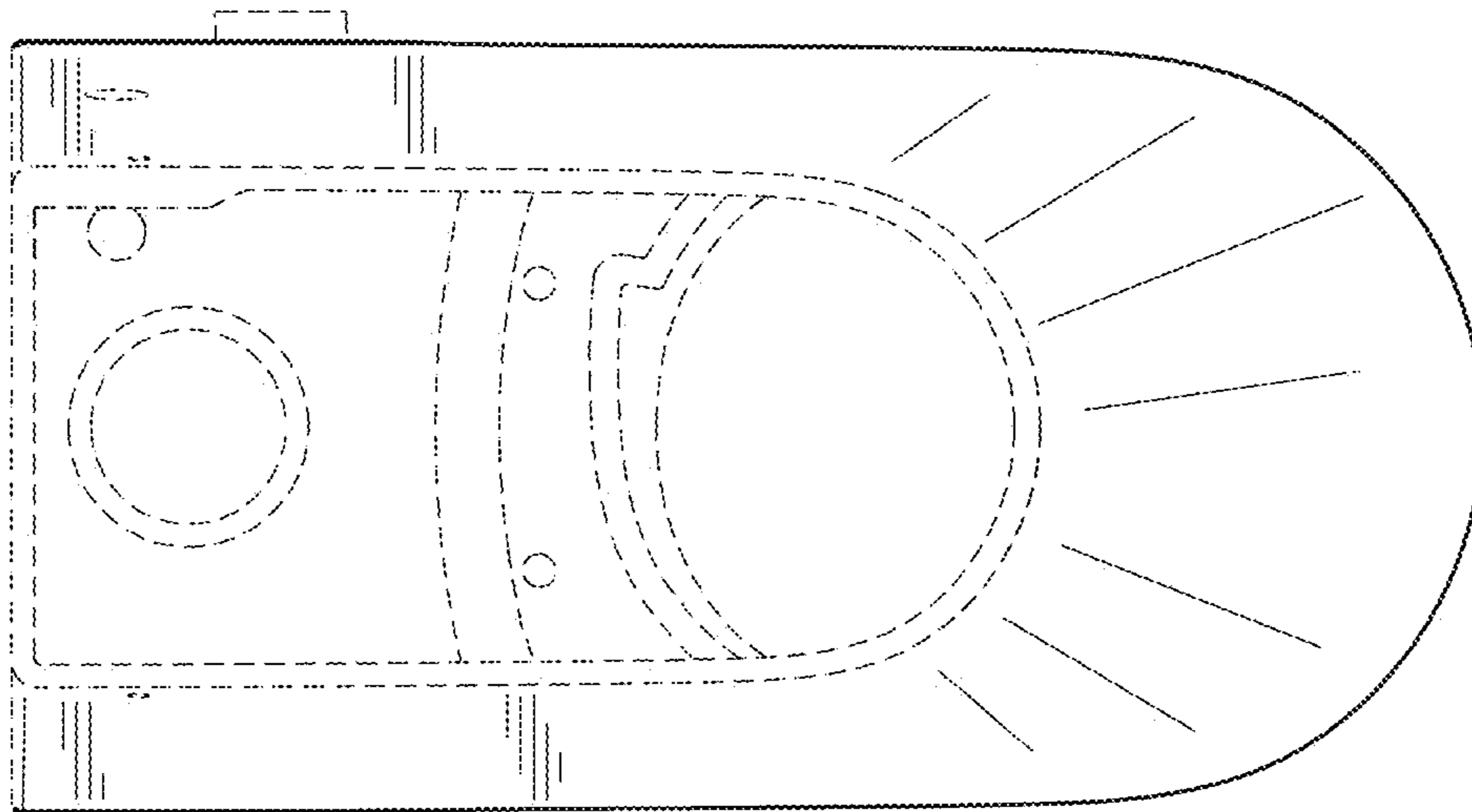


FIG. 7