



US00D929547S

(12) **United States Design Patent** (10) **Patent No.:** **US D929,547 S**
Cochrane (45) **Date of Patent:** **** Aug. 31, 2021**

(54) **WATER LINE MANIFOLD GUARD**

(71) Applicant: **Gary Cochrane**, Dallas, TX (US)

(72) Inventor: **Gary Cochrane**, Dallas, TX (US)

(**) Term: **15 Years**

(21) Appl. No.: **29/775,537**

(22) Filed: **Mar. 24, 2021**

(51) **LOC (13) Cl.** **23-01**

(52) **U.S. Cl.**
USPC **D23/259**

(58) **Field of Classification Search**

USPC D23/213, 233, 235.259, 262-266, 323,
D23/328, 330, 393; 239/135, 139,
239/208-209, 267-268, 273; 137/266,
137/377; 285/119, 125.1

CPC E04C 3/32; E04B 2/789; E03C 2001/028
See application file for complete search history.

(56) **References Cited**

U.S. PATENT DOCUMENTS

D235,998 S *	7/1975	Smith et al.	D23/263
D280,659 S	9/1985	Arthun et al.		
D341,412 S *	11/1993	Werner	D23/259
D357,854 S *	5/1995	Payne	D23/263
6,076,545 A *	6/2000	Cooper	A62C 35/68
				137/360
6,224,024 B1 *	5/2001	Fritz	F16L 3/22
				248/49
D453,953 S	2/2002	Pearl		
D465,012 S	10/2002	Tauzer		
D488,543 S *	4/2004	Fulcher	D23/213
D503,772 S *	4/2005	Mody	D23/213
D545,406 S	6/2007	Surinak		
D583,437 S *	12/2008	Fulcher	D23/213
7,614,525 B2 *	11/2009	Saidman	B05C 5/001
				222/146.2
7,886,837 B1 *	2/2011	Helfgott	A62C 35/68
				169/54

D648,426 S *	11/2011	Yanone	D23/266
D676,533 S	2/2013	Clarke		
D728,626 S	5/2015	Adeni		
D767,736 S *	9/2016	Nasu	D23/266

(Continued)

OTHER PUBLICATIONS

McClellan, J. (Jul. 1, 2009). Under Slab Plumbing. Retrieved Jan. 28, 2021, from <https://brainright.com/>.

(Continued)

Primary Examiner — Amy C Wierenga

(74) *Attorney, Agent, or Firm* — Scott Griggs; Griggs Bergen LLP

(57) **CLAIM**

The ornamental design for a water line manifold guard, as shown and described.

DESCRIPTION

FIG. 1 is a front perspective view of a water line manifold guard shown in a position of use with environmental fluid conduits;

FIG. 2 is a front perspective view of the water line manifold guard shown in FIG. 1;

FIG. 3 is a front elevation view of the water line manifold guard shown in FIG. 1;

FIG. 4 is a rear elevation view of the water line manifold guard shown in FIG. 1;

FIG. 5 is a top plan view of the water line manifold guard as shown in FIG. 1;

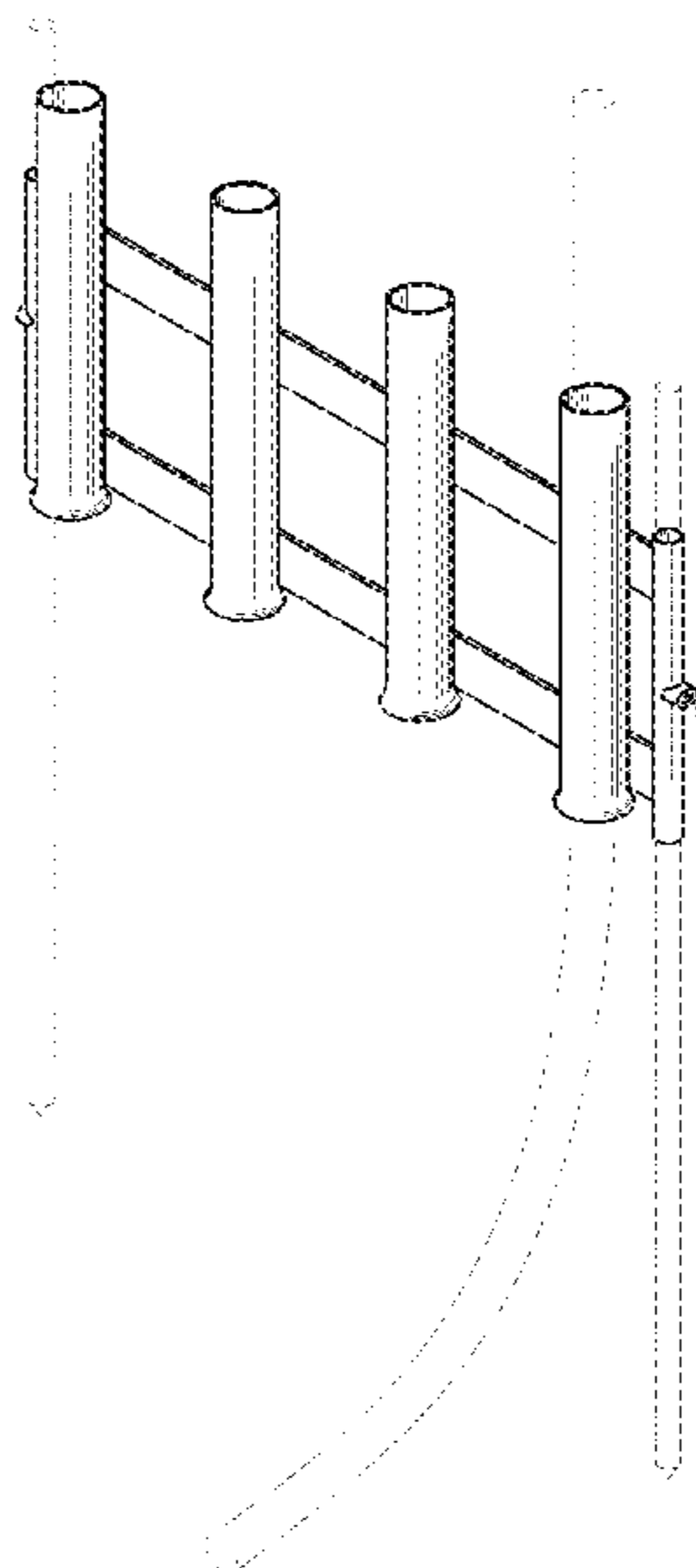
FIG. 6 is a bottom plan view of the water line manifold guard as shown in FIG. 1;

FIG. 7 is a left lateral elevation view of the water line manifold guard as shown in FIG. 1; and,

FIG. 8 is a right lateral elevation view of the water line manifold guard as shown in FIG. 1.

The dashed broken lines shown depict environmental matter only and form no part of the claimed design.

1 Claim, 3 Drawing Sheets



(56)

References Cited

U.S. PATENT DOCUMENTS

D796,011 S * 8/2017 Moore D23/266
D799,639 S * 10/2017 Carter D23/233
D807,478 S 1/2018 Bacon
D854,652 S * 7/2019 Price D23/213
D890,335 S 7/2020 Nelson
2009/0159134 A1* 6/2009 Boyher F16L 41/03
137/15.01

OTHER PUBLICATIONS

Holdrite (Mar. 7, 2000). In-Slab Pex Pipe Supports. Retrieved Jan. 28, 2021, from <https://holdrite.com/>.
De La Fleur, M. (Jun. 11, 2010). Turning Up the Heat. Retrieved Jan. 28, 2021, from <https://blog.delafleur.com/>.
PHCP Pros (Jul. 7, 2017). It's Not Just Tubing in Concrete. Retrieved Jan. 28, 2021, from <https://www.phcpros.com/>.
Grainger (Jan. 2, 2014). 12 Channel Radius Routing System for 1/2 in, 5/8 in Tubes, 9 in in. Overall Length, 1 EA. Retrieved Jan. 28, 2021, from <https://www.grainger.com/>.

* cited by examiner

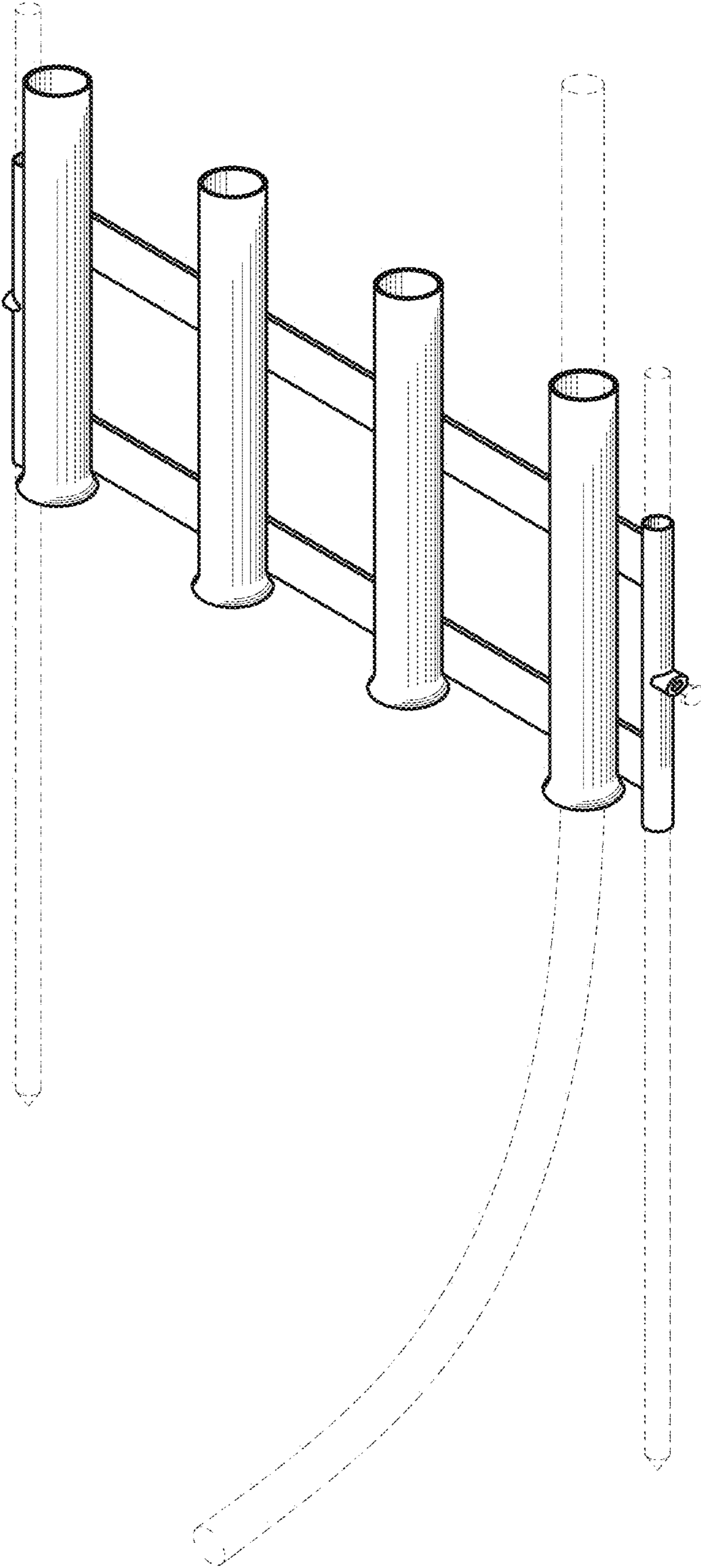


FIG. 1

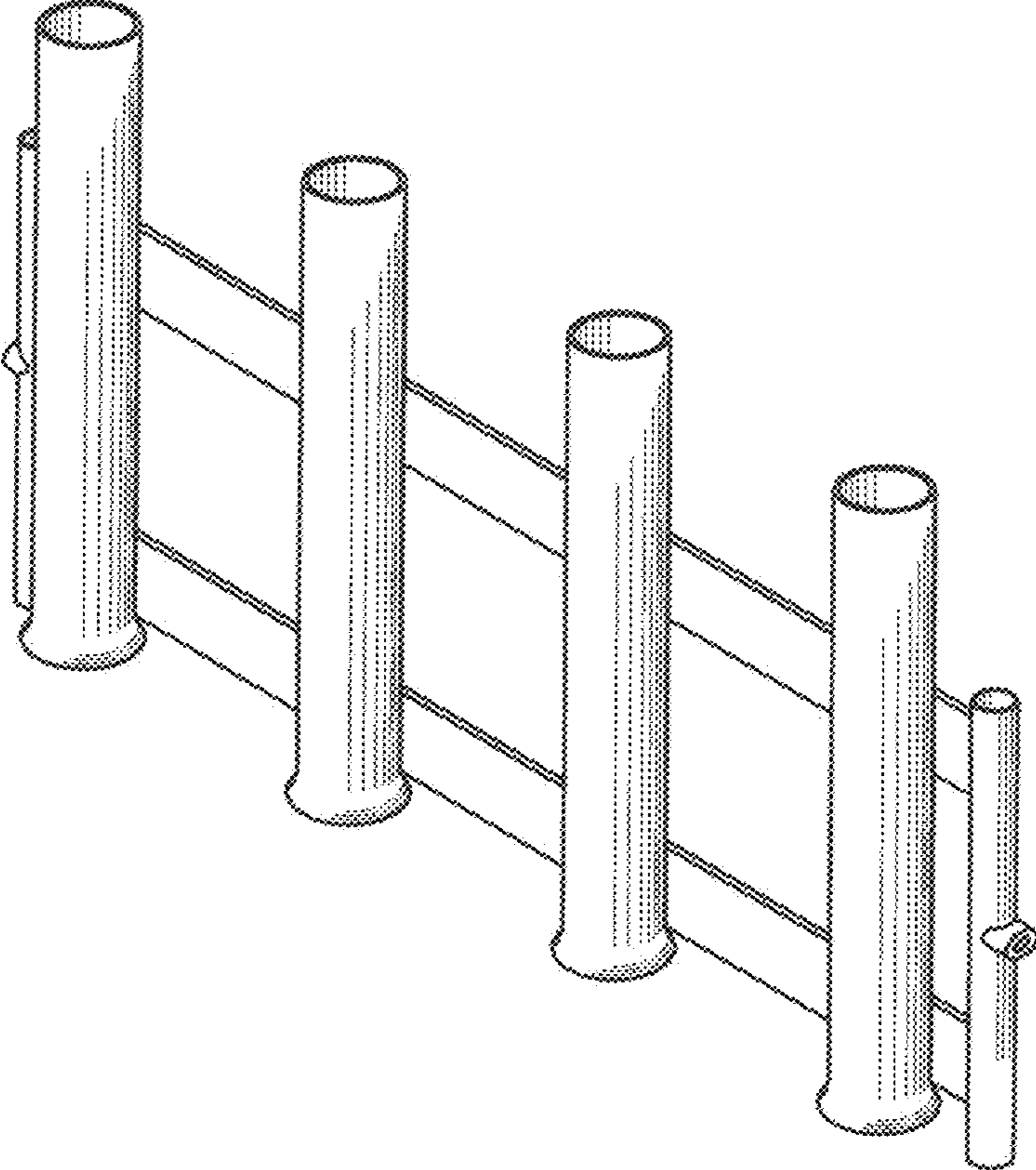


FIG. 2



FIG. 7

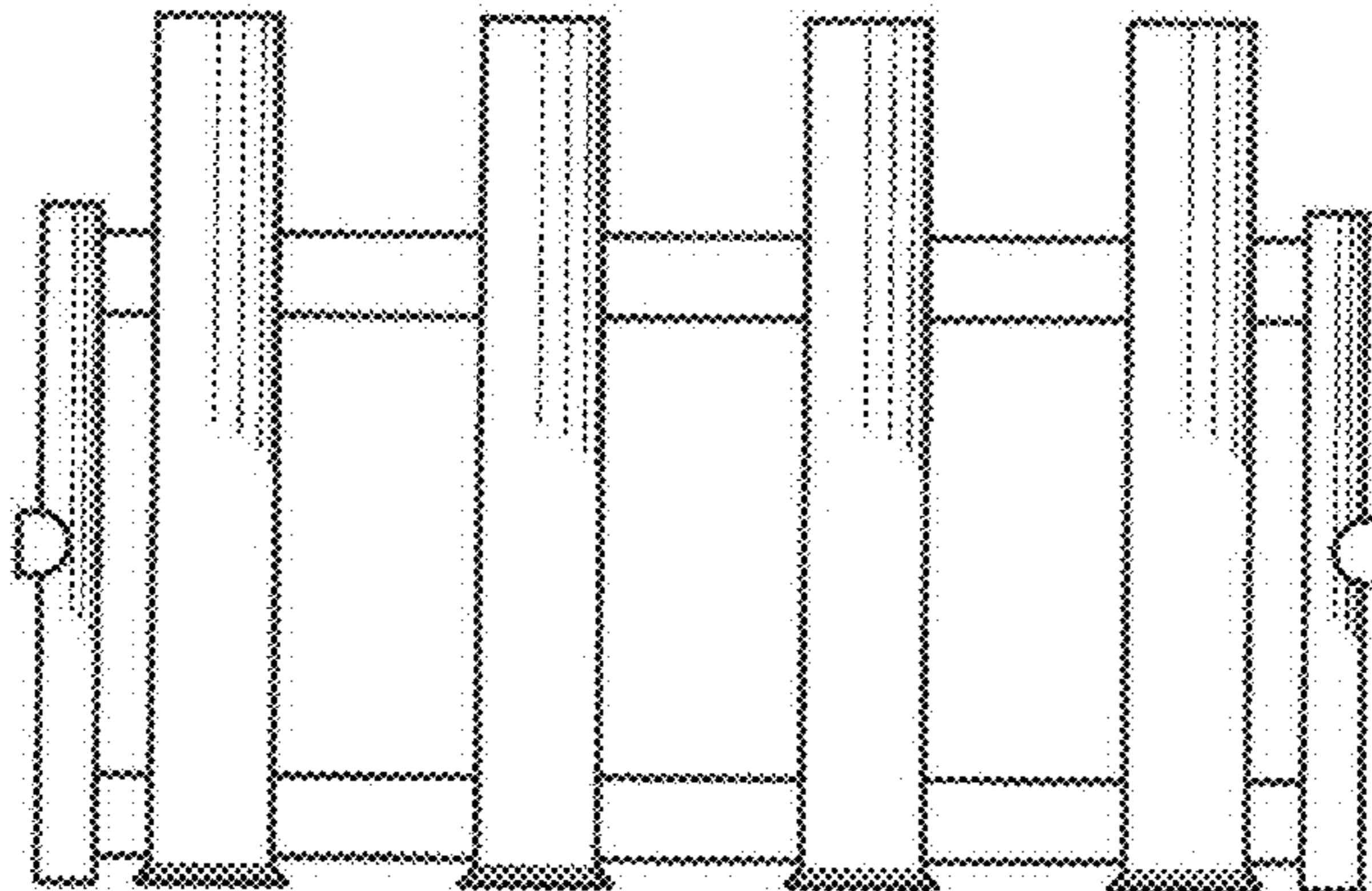


FIG. 3



FIG. 8

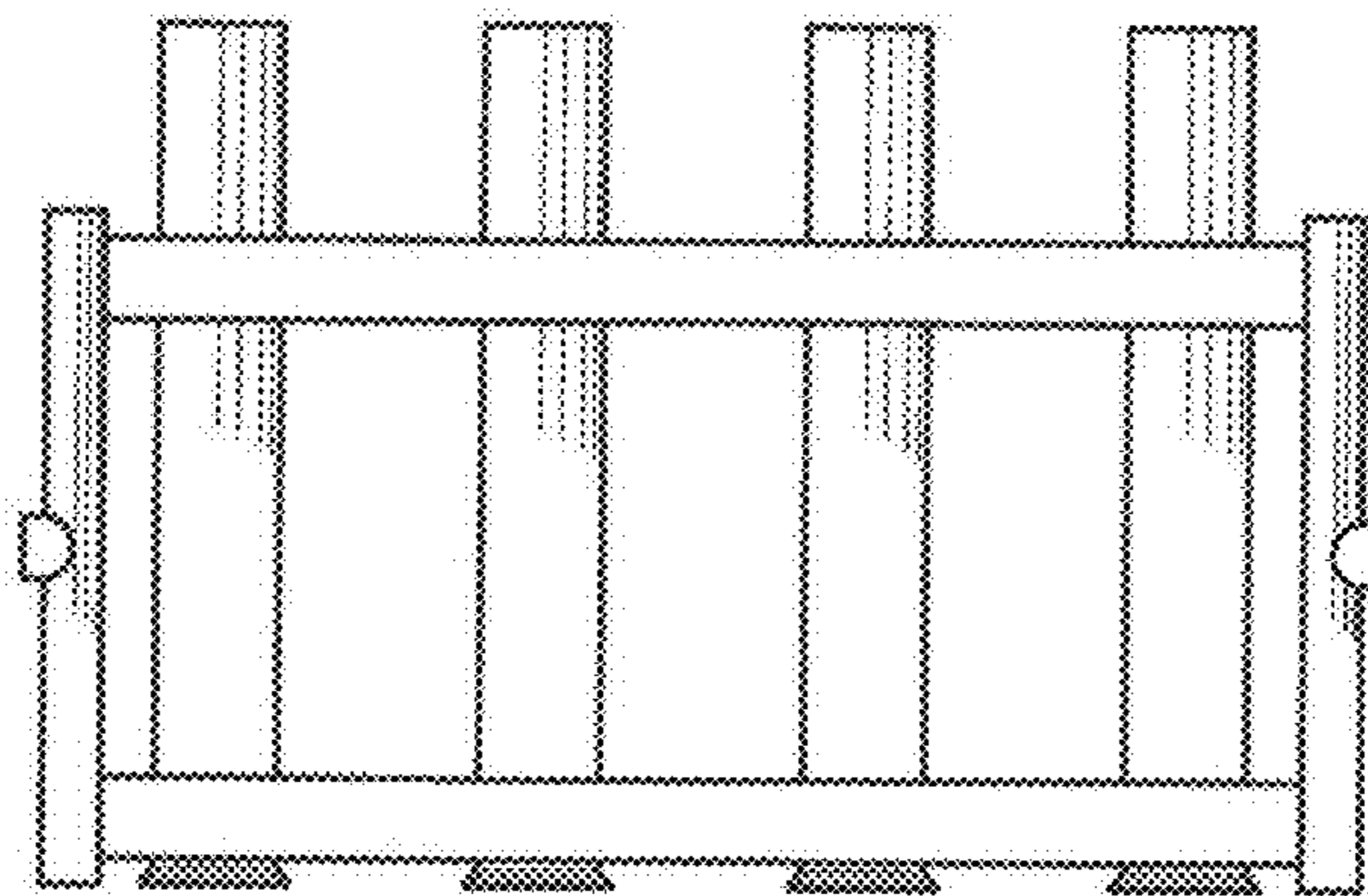


FIG. 4

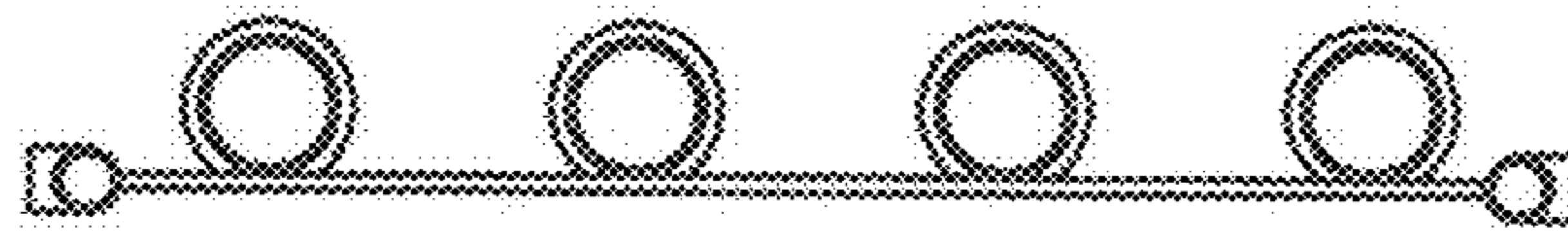


FIG. 5



FIG. 6