



US00D929546S

(12) **United States Design Patent** (10) **Patent No.:** **US D929,546 S**  
**Weber** (45) **Date of Patent:** **\*\* Aug. 31, 2021**

(54) **FAUCET SPOUT**  
(71) Applicant: **DELTA FAUCET COMPANY,**  
Indianapolis, IN (US)  
(72) Inventor: **Kristen Weber,** Park Ridge, IL (US)  
(73) Assignee: **DELTA FAUCET COMPANY,**  
Indianapolis, IN (US)  
(\*\*) Term: **15 Years**  
(21) Appl. No.: **29/710,530**  
(22) Filed: **Oct. 24, 2019**  
(51) **LOC (13) Cl.** ..... **23-01**  
(52) **U.S. Cl.**  
USPC ..... **D23/257**  
(58) **Field of Classification Search**  
USPC ..... D23/238-244, 252, 254-255, 257;  
D8/307-308  
CPC .... F16K 31/602; F16K 31/605; F16K 31/607;  
E03C 1/0412  
See application file for complete search history.

(56) **References Cited**

**U.S. PATENT DOCUMENTS**

D524,424 S \* 7/2006 Schaffeld ..... D23/255  
D604,808 S \* 11/2009 Williams ..... D23/255  
D615,160 S \* 5/2010 Bouroullec ..... D23/238  
D621,005 S \* 8/2010 Bouroullec ..... D23/238  
D685,878 S \* 7/2013 Fritz ..... D23/238  
D724,184 S \* 3/2015 Cahill ..... D23/255  
D741,453 S \* 10/2015 Bahler ..... D23/238  
D754,295 S \* 4/2016 Lord ..... D23/238  
D754,296 S \* 4/2016 Lord ..... D23/238  
D795,393 S \* 8/2017 Fritz ..... D23/238  
D797,892 S \* 9/2017 Fritz ..... D23/238  
D820,399 S \* 6/2018 Garland ..... D23/238  
D820,400 S \* 6/2018 Eads ..... D23/238  
D825,031 S \* 8/2018 Haug ..... D23/238  
D839,394 S \* 1/2019 Mai ..... D23/255  
D846,703 S \* 4/2019 Garland ..... D23/238

D856,483 S \* 8/2019 Spangler ..... D23/238  
D857,166 S \* 8/2019 Spangler ..... D23/238  
D857,167 S \* 8/2019 Spangler ..... D23/238  
D857,176 S \* 8/2019 Spangler ..... D23/255  
D881,353 S \* 4/2020 Lazarini ..... D23/255  
D902,357 S \* 11/2020 Eads ..... D23/255

(Continued)

**FOREIGN PATENT DOCUMENTS**

CA 190268 \* 10/2019

**OTHER PUBLICATIONS**

Delta Faucet 576-BLLPU-LHP-DST Stryke Faucet, first available Dec. 24, 2018[online], [site visited Apr. 29, 2021]. Available from internet, URL:< <https://www.amazon.com/Single-Handle-Faucet-Pop-Up-Stryke/dp/B07KXBZCX1>> (Year: 2018).\*

(Continued)

*Primary Examiner* — Barbara Fox  
*Assistant Examiner* — Jamaal Rasheed  
(74) *Attorney, Agent, or Firm* — Nirav D. Parikh; Edgar A. Zarins

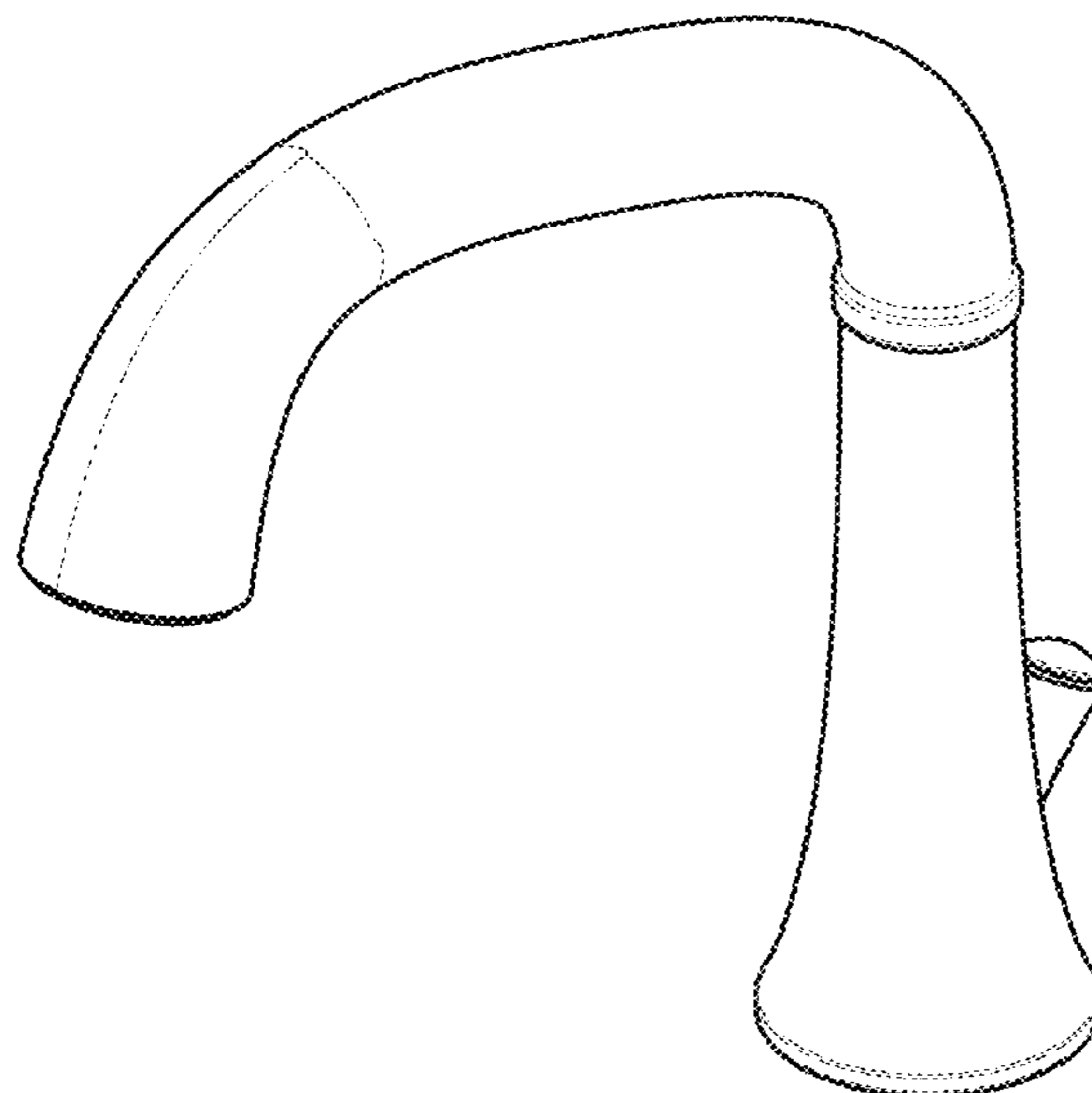
(57) **CLAIM**

The ornamental design for a faucet spout, as shown and described.

**DESCRIPTION**

FIG. 1 is a front perspective view of a faucet spout showing my new design;  
FIG. 2 is a rear perspective view thereof;  
FIG. 3 is a front elevational view thereof;  
FIG. 4 is a left side view thereof;  
FIG. 5 is a rear view thereof;  
FIG. 6 is a right side view thereof;  
FIG. 7 is a top plan view thereof; and,  
FIG. 8 is a bottom view thereof.

**1 Claim, 4 Drawing Sheets**



(56)

**References Cited**

U.S. PATENT DOCUMENTS

D902,358 S \* 11/2020 Garland ..... D23/255  
D907,178 S \* 1/2021 Stoler ..... D23/238

OTHER PUBLICATIONS

Pfister LG42-BS0K Bronson Single Control Bathroom Faucet, first available Feb. 28, 2019[online], [site visited Apr. 29, 2021]. Available from internet, URL:< <https://www.amazon.com/Pfister-LG42-BS0K-Bronson-Control-Bathroom/dp/B07P98BHBM>> (Year: 2019).\*

\* cited by examiner

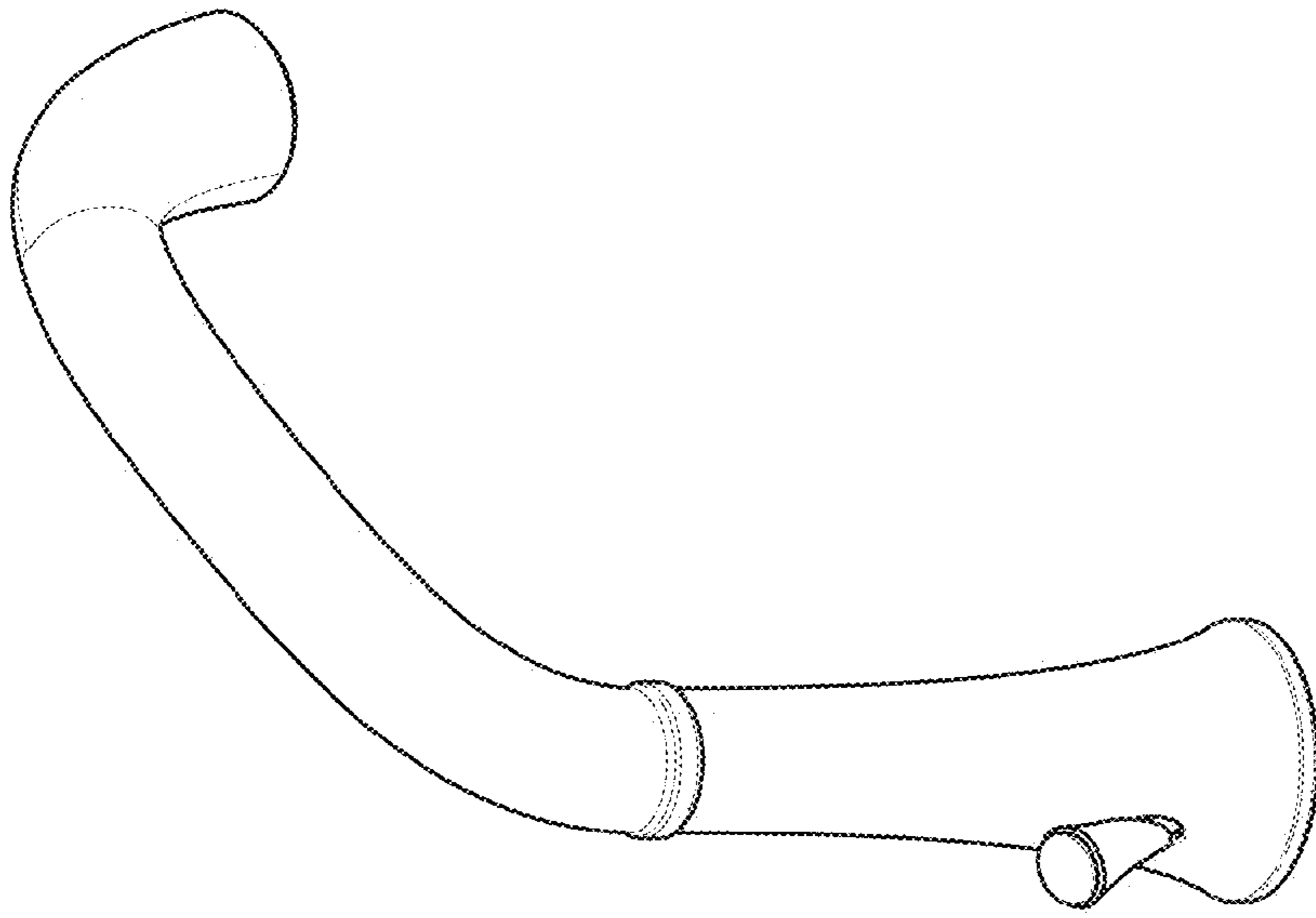


FIG - 2

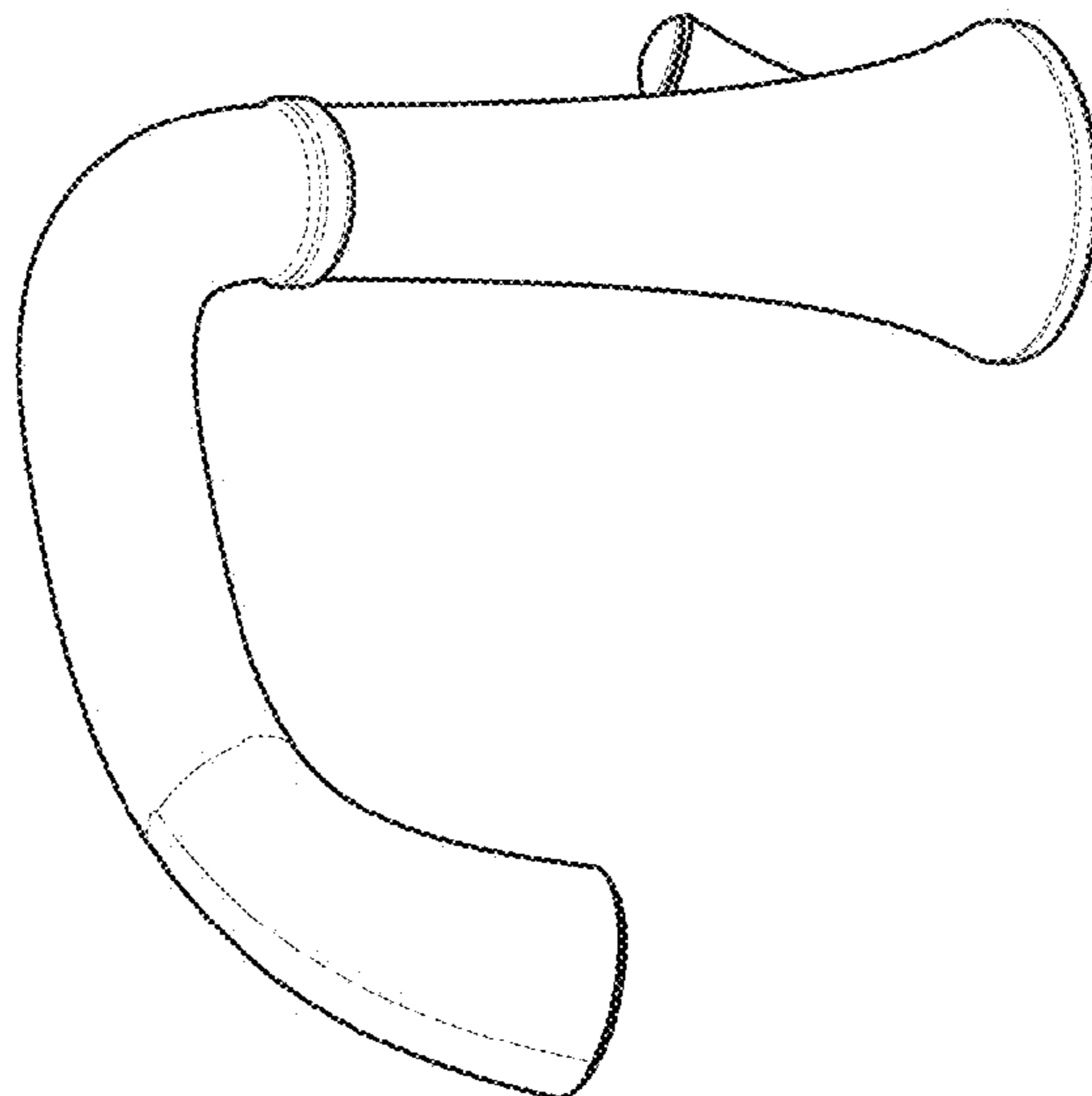


FIG - 1

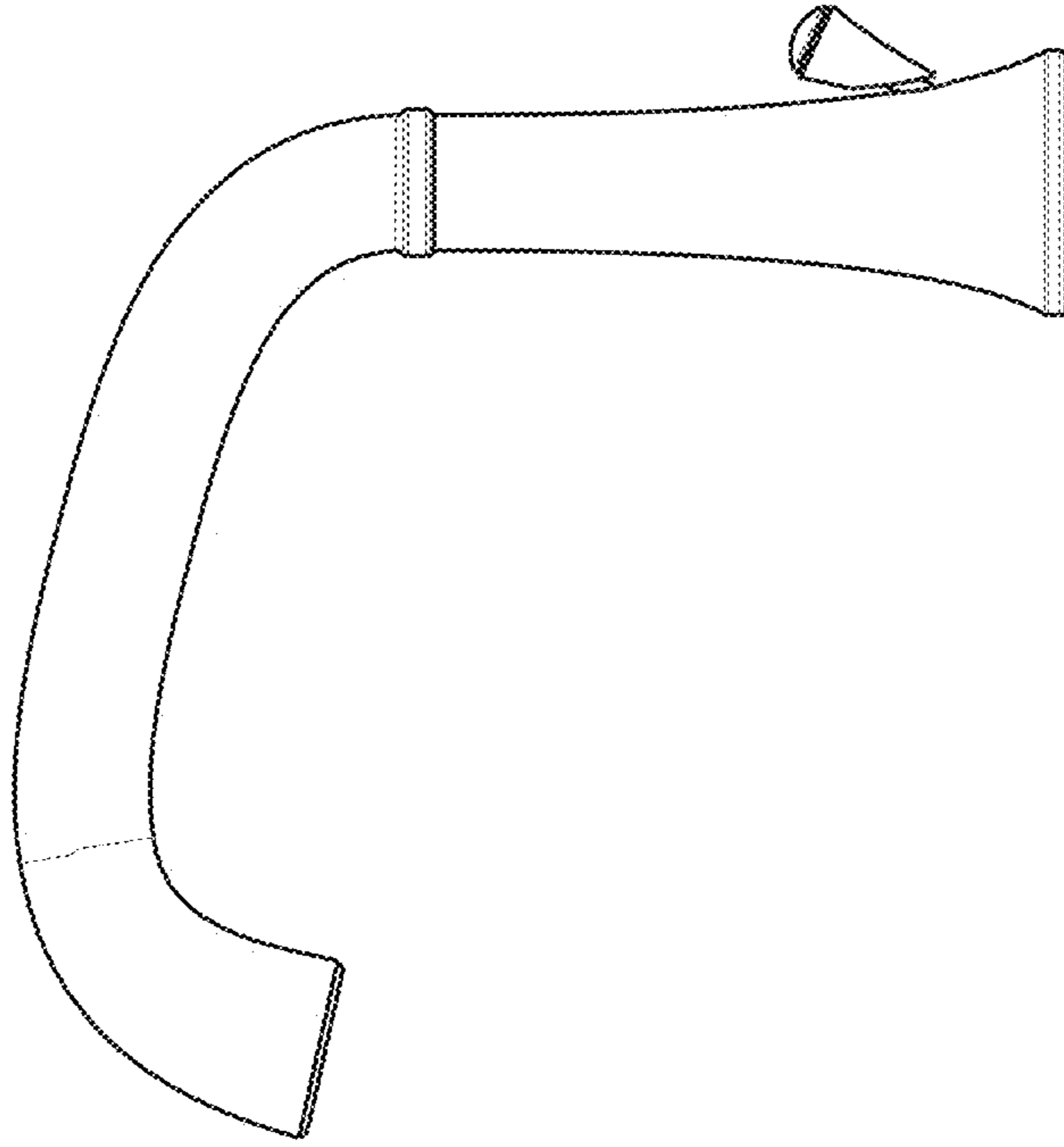


FIG - 4

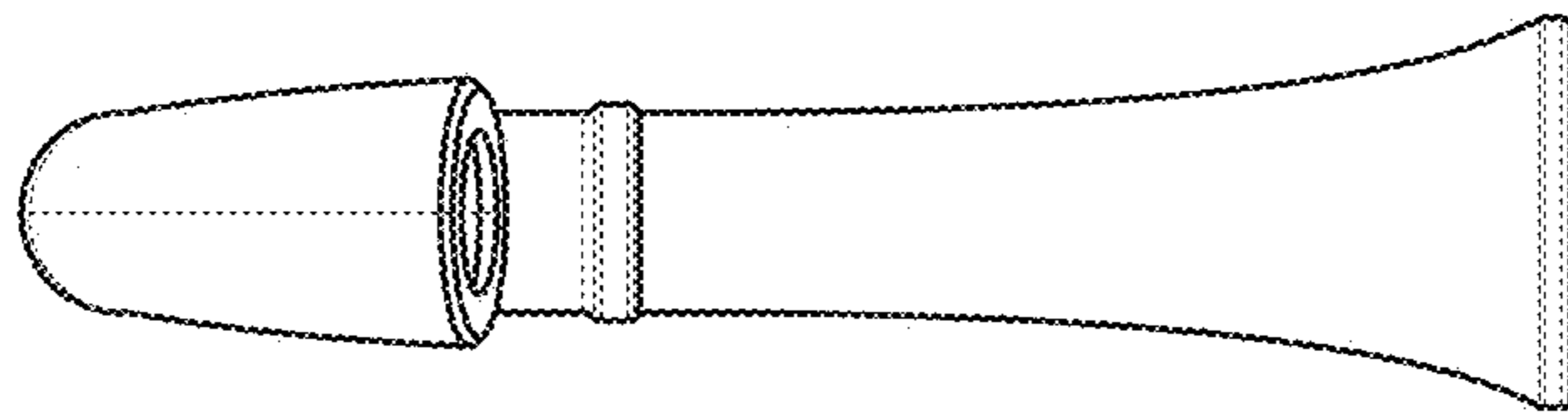


FIG - 3

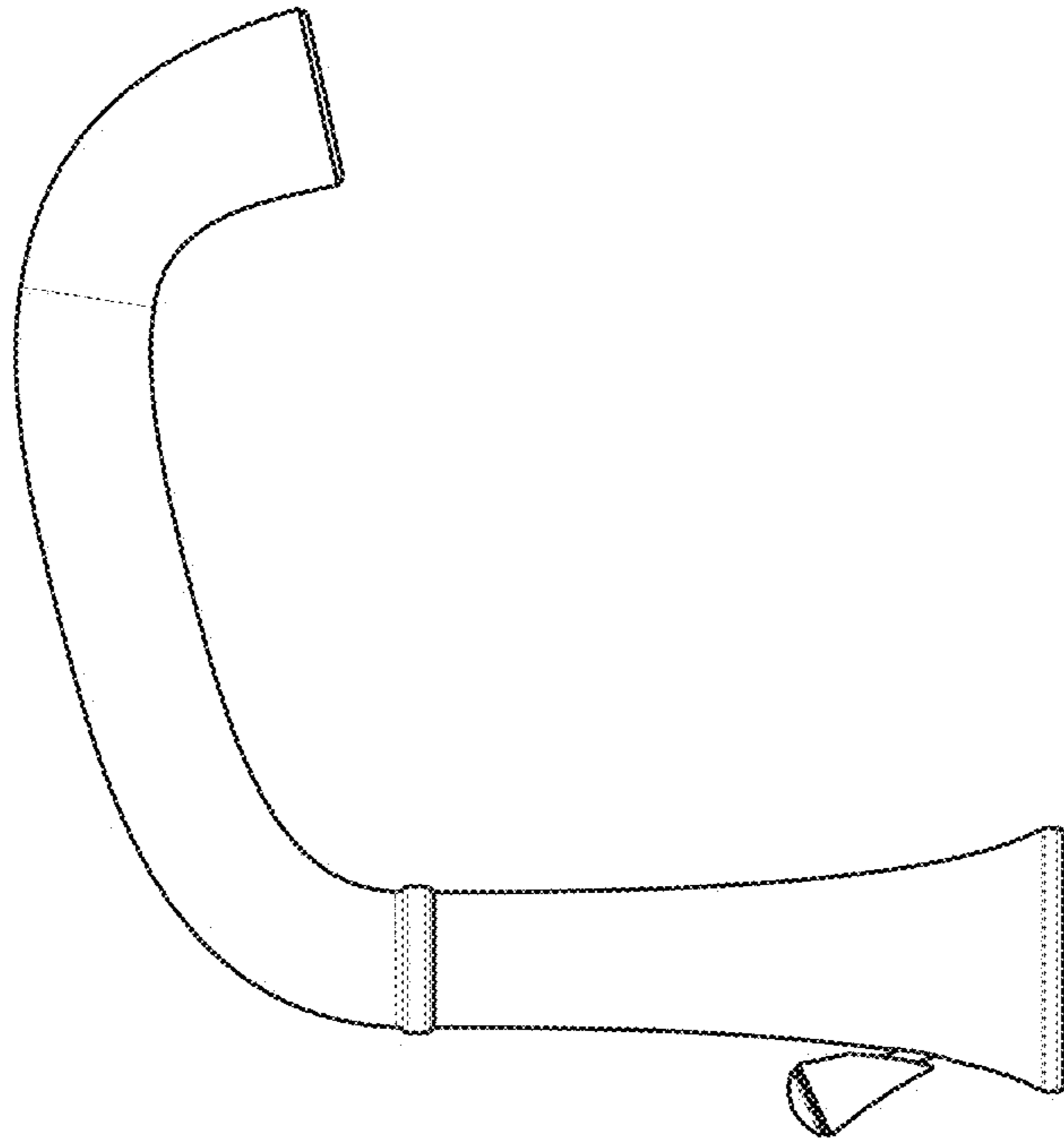


FIG - 6

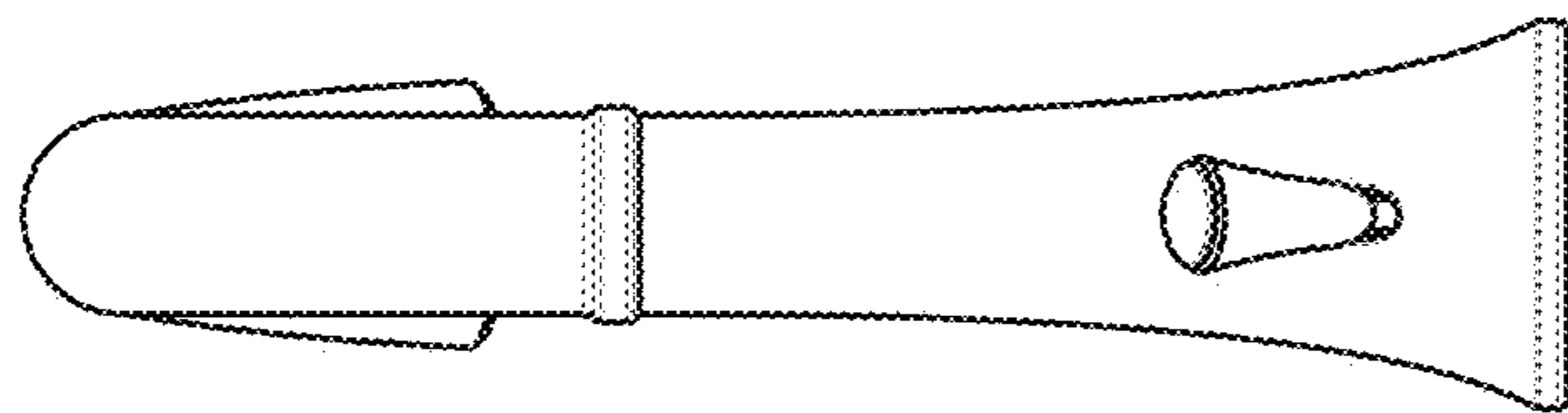


FIG - 5

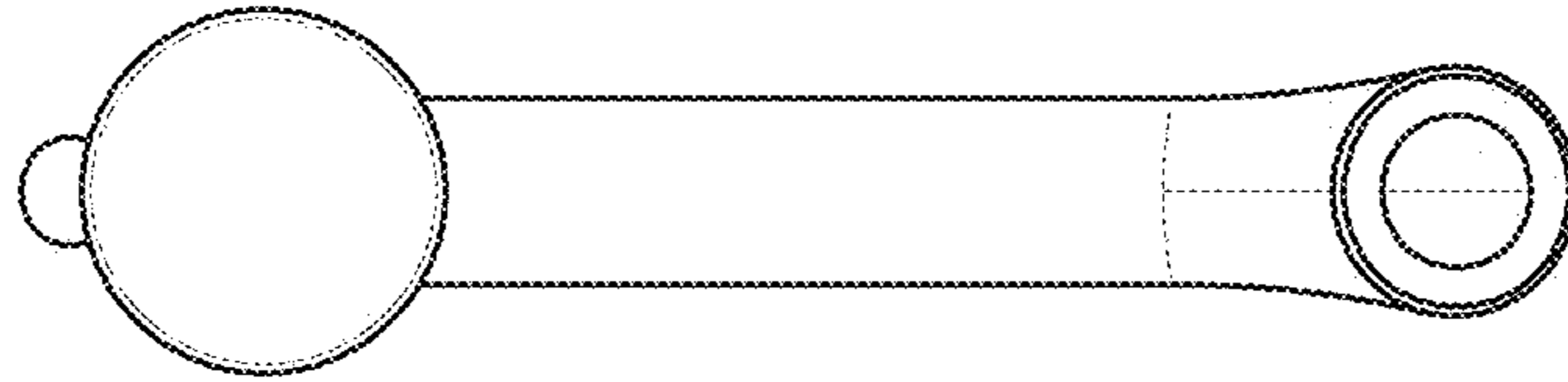


FIG - 8

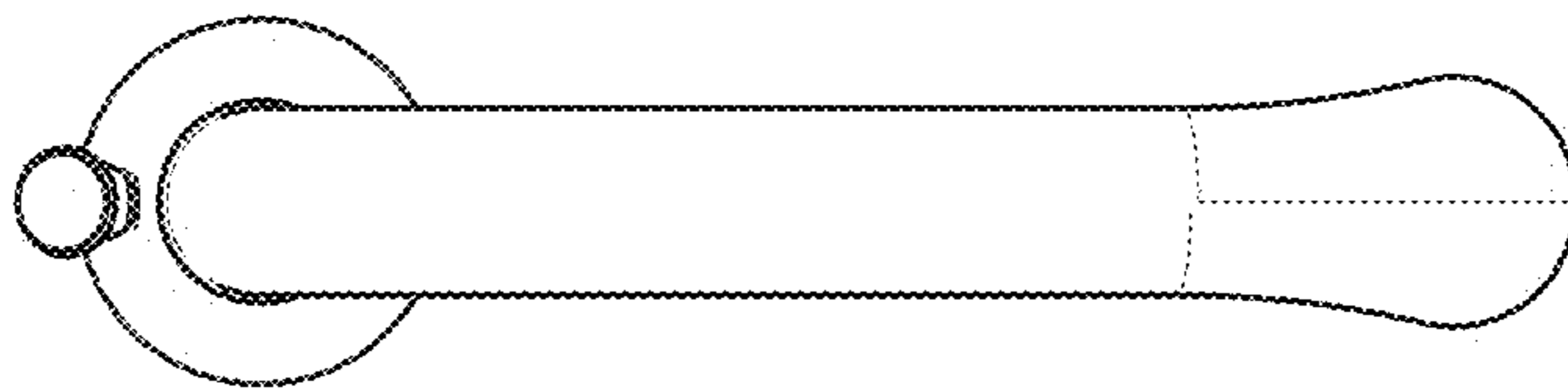


FIG - 7