



US00D929543S

(12) **United States Design Patent**
Okawara et al.

(10) **Patent No.:** **US D929,543 S**

(45) **Date of Patent:** **** Aug. 31, 2021**

(54) **FLOW SWITCH**

(71) Applicant: **SMC CORPORATION**, Tokyo (JP)

(72) Inventors: **Takayoshi Okawara**, Nagareyama (JP);
Takahisa Miura, Tsukubamirai (JP)

(73) Assignee: **SMC CORPORATION**, Tokyo (JP)

(**) Term: **15 Years**

(21) Appl. No.: **29/701,866**

(22) Filed: **Aug. 15, 2019**

(30) **Foreign Application Priority Data**

Mar. 15, 2019 (CN) 201930108470.3

(51) **LOC (13) Cl.** **23-01**

(52) **U.S. Cl.**

USPC **D23/233**; D10/85; D10/96; D23/235

(58) **Field of Classification Search**

USPC D10/85, 96; D23/233, 235

(Continued)

(56) **References Cited**

U.S. PATENT DOCUMENTS

D601,225 S * 9/2009 Kurisaki G01P 13/002

D10/85

D603,341 S * 11/2009 Kawakami D13/158

(Continued)

FOREIGN PATENT DOCUMENTS

CN D301084714 12/2009

JP D1353446 S 3/2009

Primary Examiner — Antoine Duval Davis

(74) *Attorney, Agent, or Firm* — Birch, Stewart, Kolasch
& Birch, LLP

(57) **CLAIM**

The ornamental design for a flow switch, as shown and described.

DESCRIPTION

FIG. 1 is a front, top and left side perspective view of a flow switch showing a first embodiment of our new design; FIG. 2 is a rear, bottom and right side perspective view thereof;

FIG. 3 is a front view thereof;

FIG. 4 is a rear view thereof;

FIG. 5 is a top plan view thereof;

FIG. 6 is a bottom plan view thereof;

FIG. 7 is a left side view thereof;

FIG. 8 is a right side view thereof;

FIG. 9 is a front, top and left side perspective view of a flow switch showing a second embodiment of our new design; FIG. 10 is a rear, bottom and right side perspective view of FIG. 9;

FIG. 11 is a front view of FIG. 9;

FIG. 12 is a rear view of FIG. 9;

FIG. 13 is a top plan view of FIG. 9;

FIG. 14 is a bottom plan view of FIG. 9;

FIG. 15 is a left side view of FIG. 9;

FIG. 16 is a right side view of FIG. 9;

FIG. 17 is a front, top and left side perspective view of a flow switch showing a third embodiment of our new design; FIG. 18 is a rear, bottom and right side perspective view of FIG. 17;

FIG. 19 is a front view of FIG. 17;

FIG. 20 is a rear view of FIG. 17;

FIG. 21 is a top plan view of FIG. 17;

FIG. 22 is a bottom plan view of FIG. 17;

FIG. 23 is a left side view of FIG. 17;

FIG. 24 is a right side view of FIG. 17;

FIG. 25 is a front, top and left side perspective view of a flow switch showing a fourth embodiment of our new design; FIG. 26 is a rear, bottom and right side perspective view of FIG. 25;

FIG. 27 is a front view of FIG. 25;

FIG. 28 is a rear view of FIG. 25;

FIG. 29 is a top plan view of FIG. 25;

FIG. 30 is a bottom plan view of FIG. 25;

(Continued)

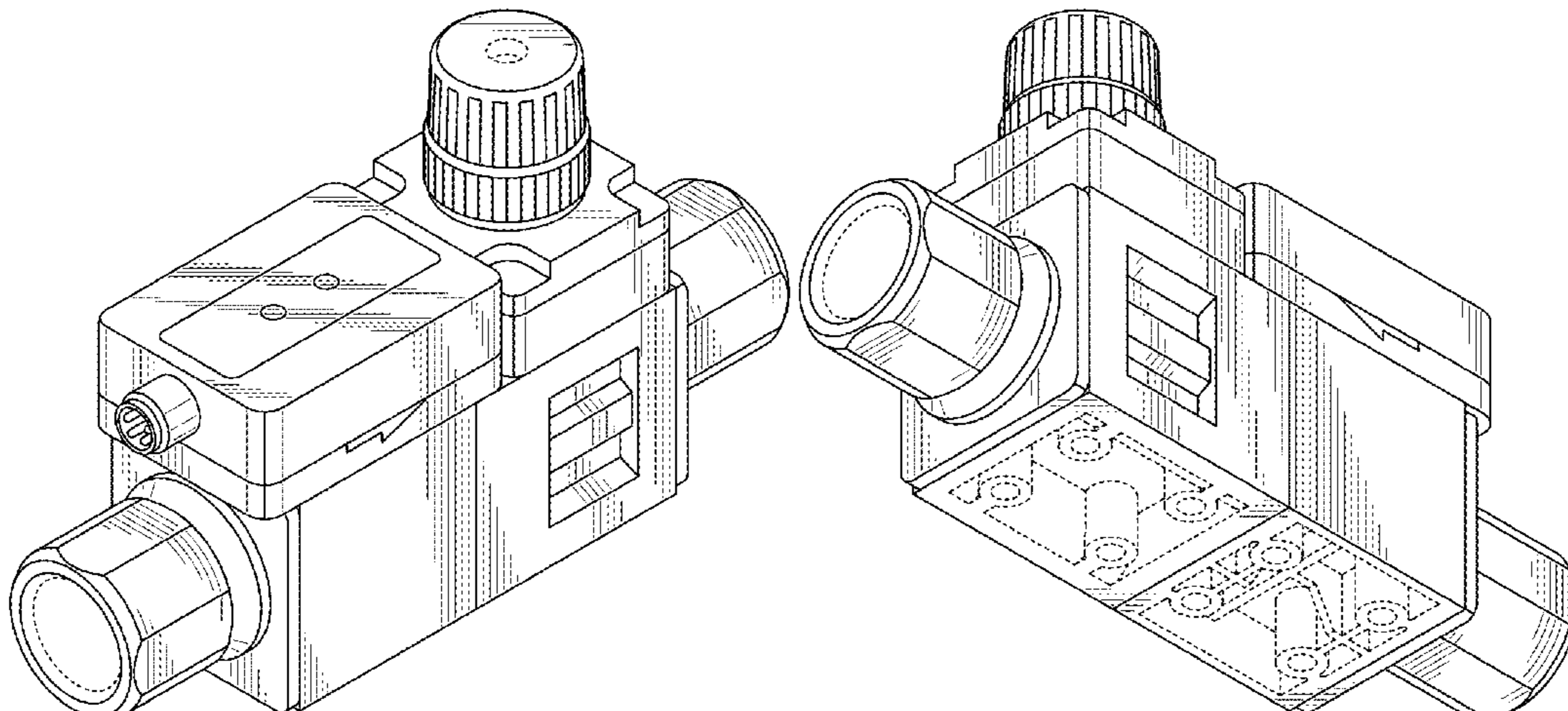


FIG. 31 is a left side view of FIG. 25; and,
FIG. 32 is a right side view of FIG. 25.
The broken lines depict portions of the flow switch that form
no part of the claimed design.

1 Claim, 32 Drawing Sheets

(58) **Field of Classification Search**

CPC G01P 13/002; G01P 13/0013; G01F 1/662;
G01F 1/667; G01F 15/14; H01H 35/02;
H01H 35/24; H01H 35/40; Y10T
137/8326

See application file for complete search history.

(56) **References Cited**

U.S. PATENT DOCUMENTS

D606,164 S *	12/2009	Kawakami	D23/233
D606,166 S	12/2009	Gunji	
D610,233 S *	2/2010	Kurisasi	D23/233
2009/0167540 A1 *	7/2009	Struyk	G01P 13/002 340/610

* cited by examiner

FIG. 1

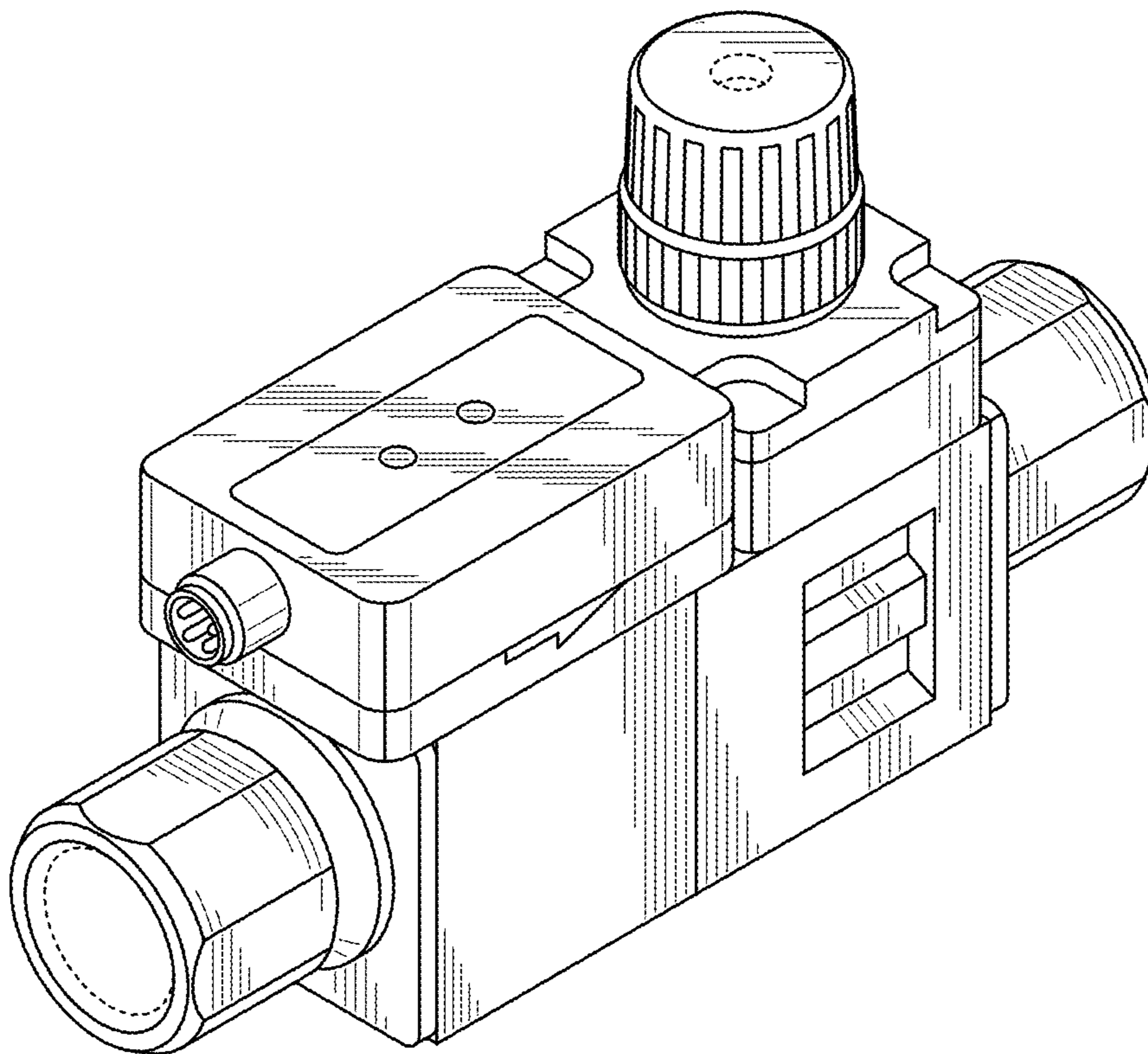


FIG. 2

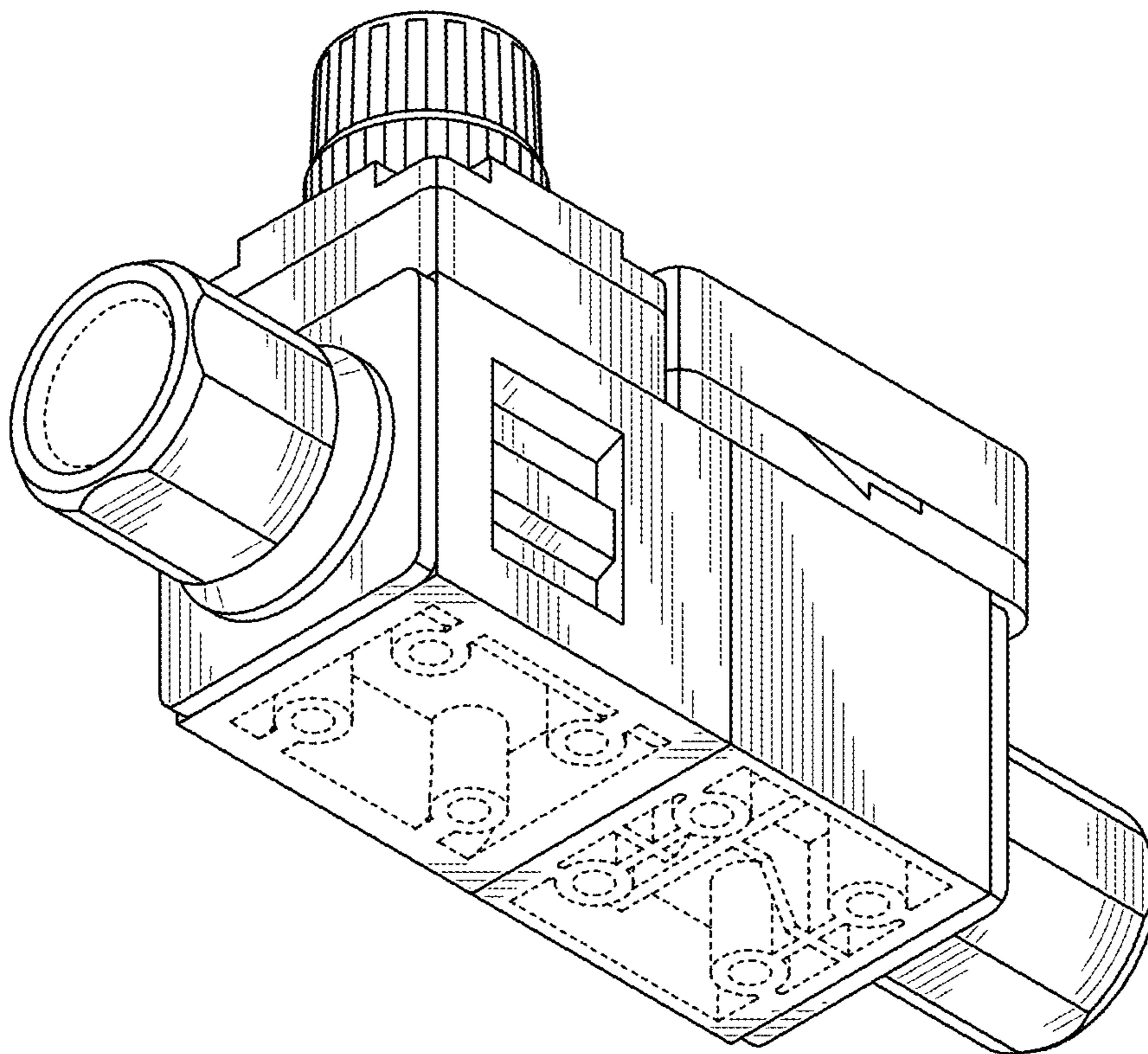


FIG. 3

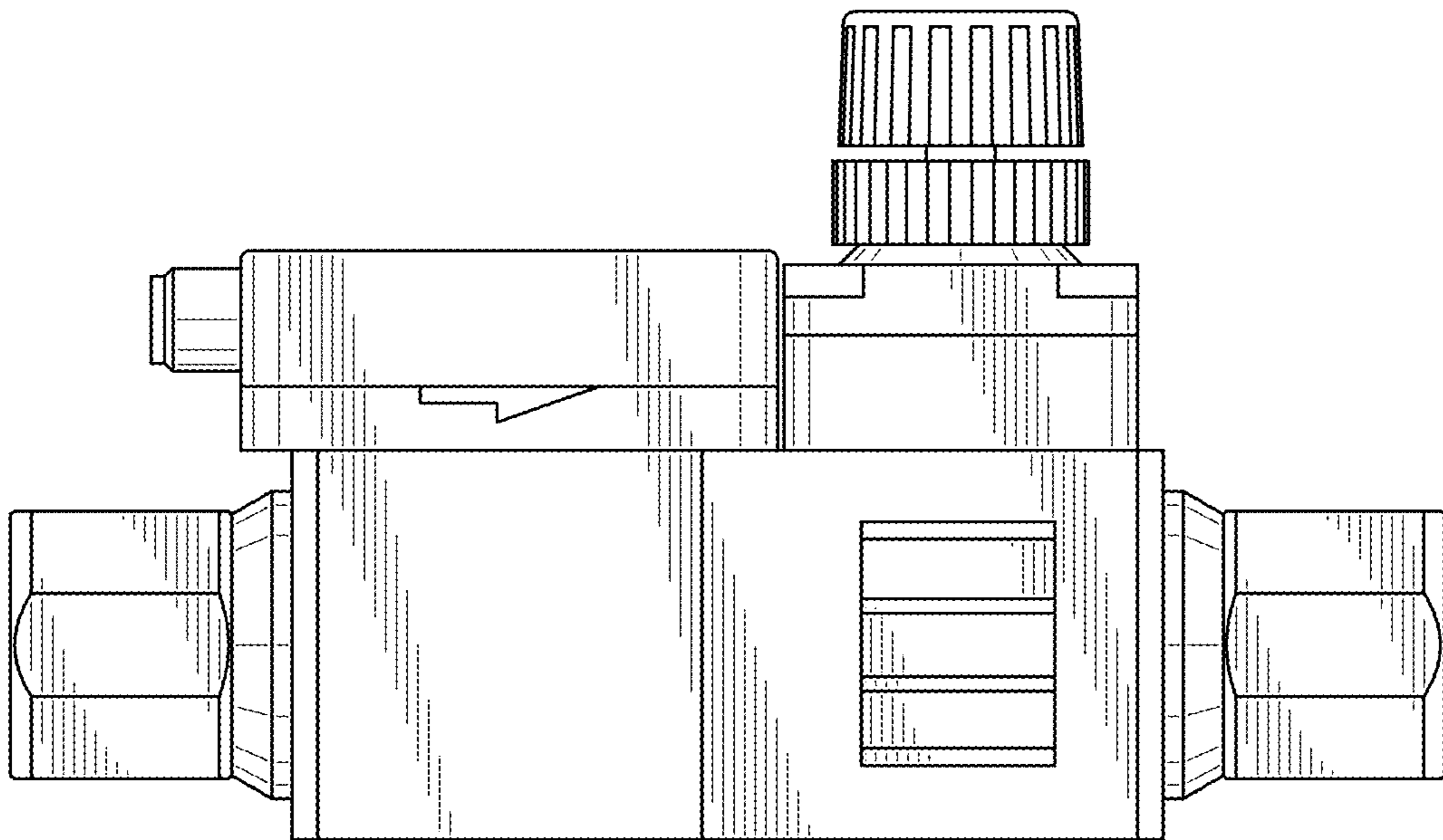


FIG. 4

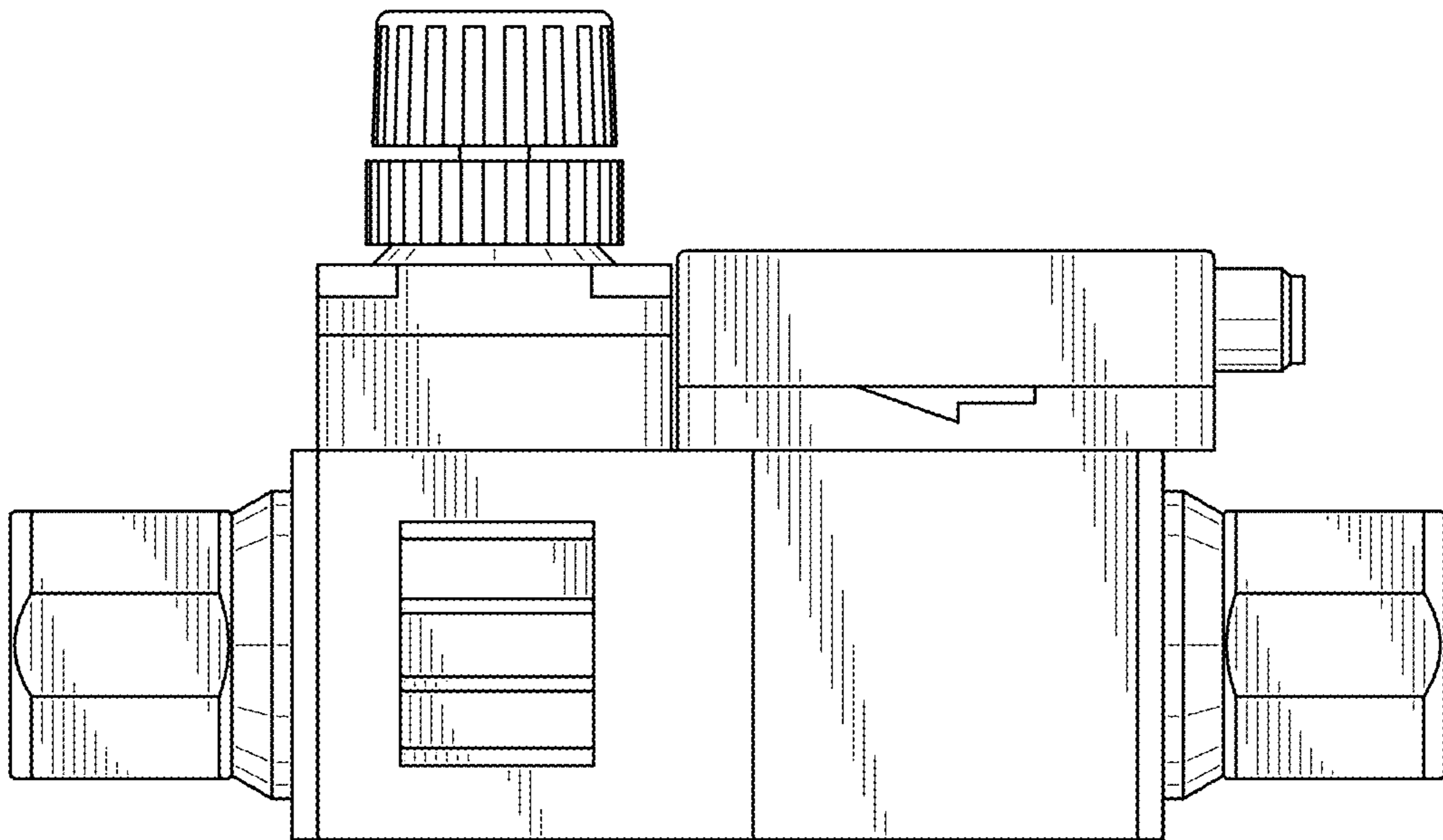


FIG. 5

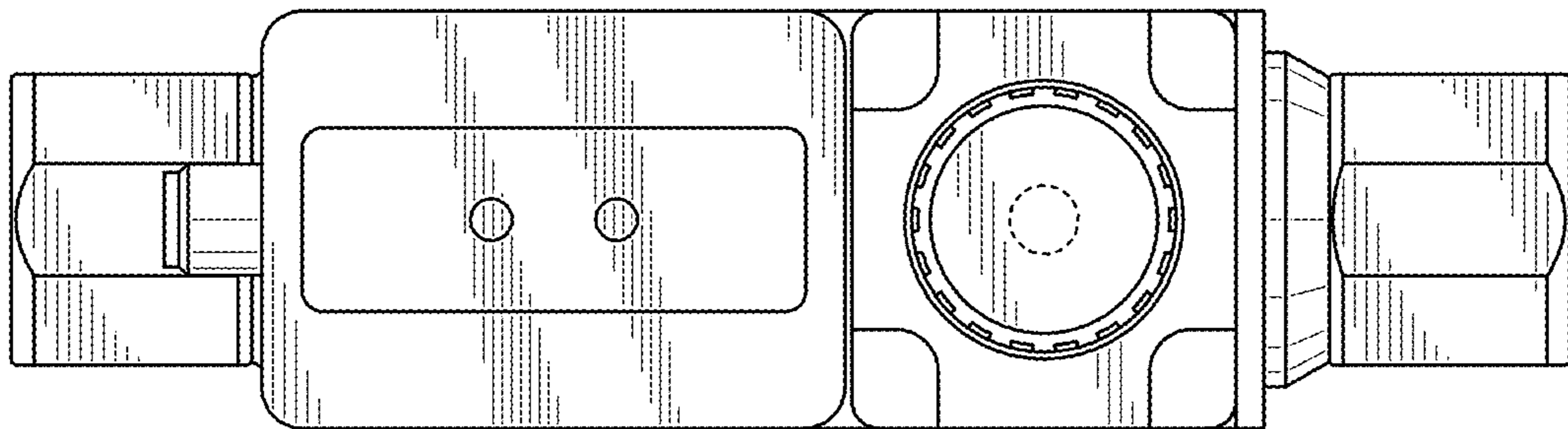


FIG. 6

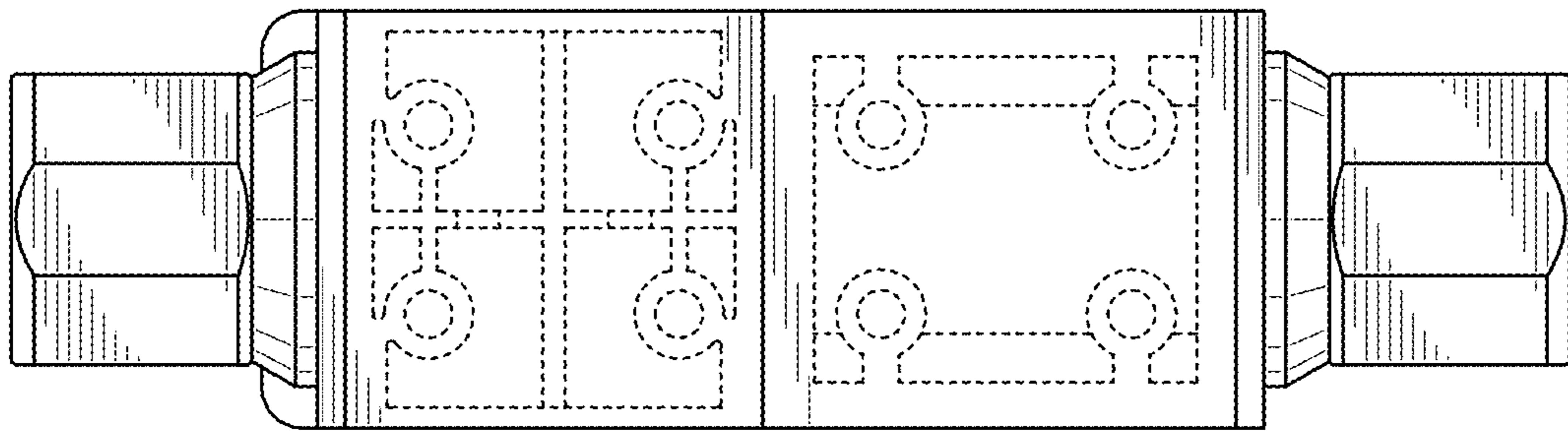


FIG. 7

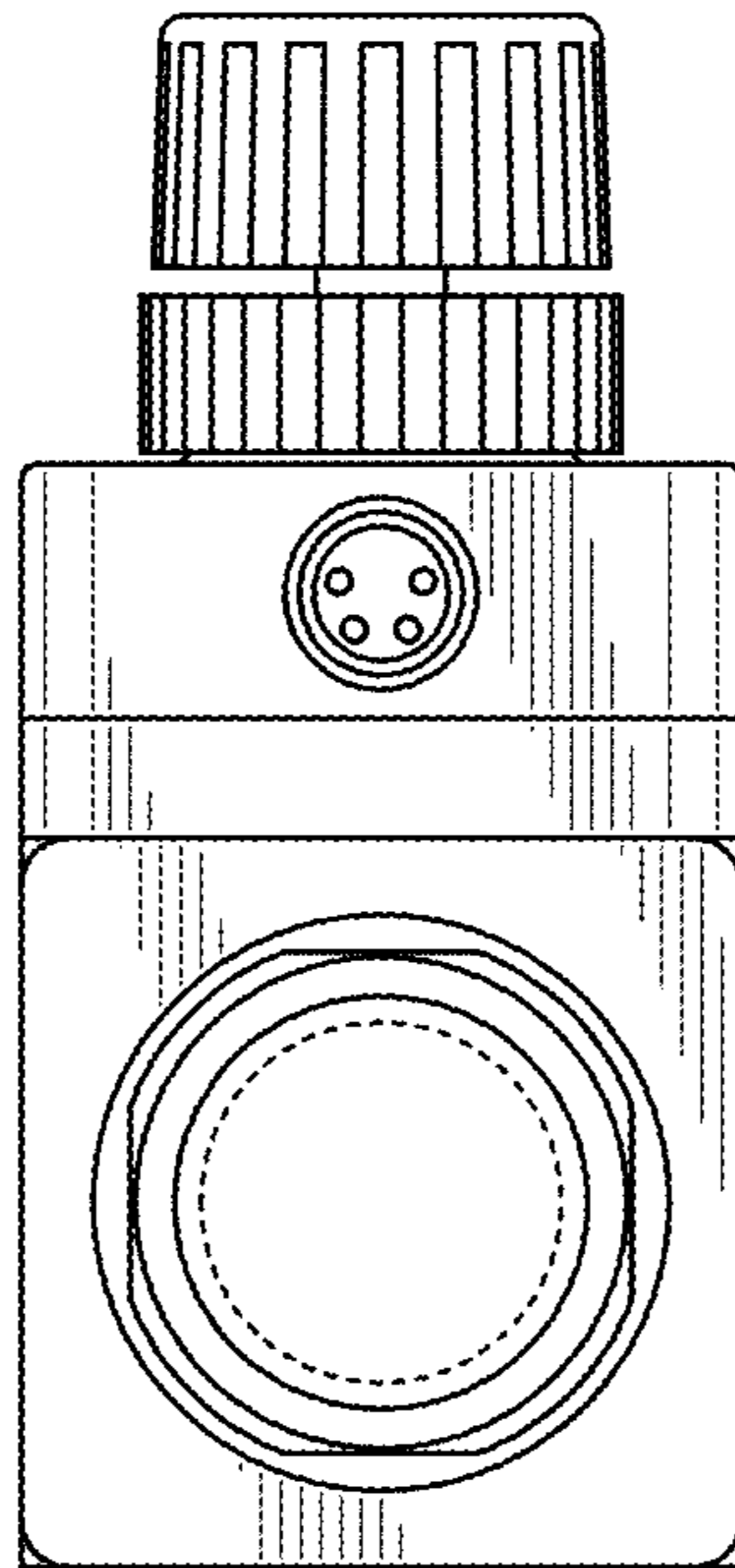


FIG. 8

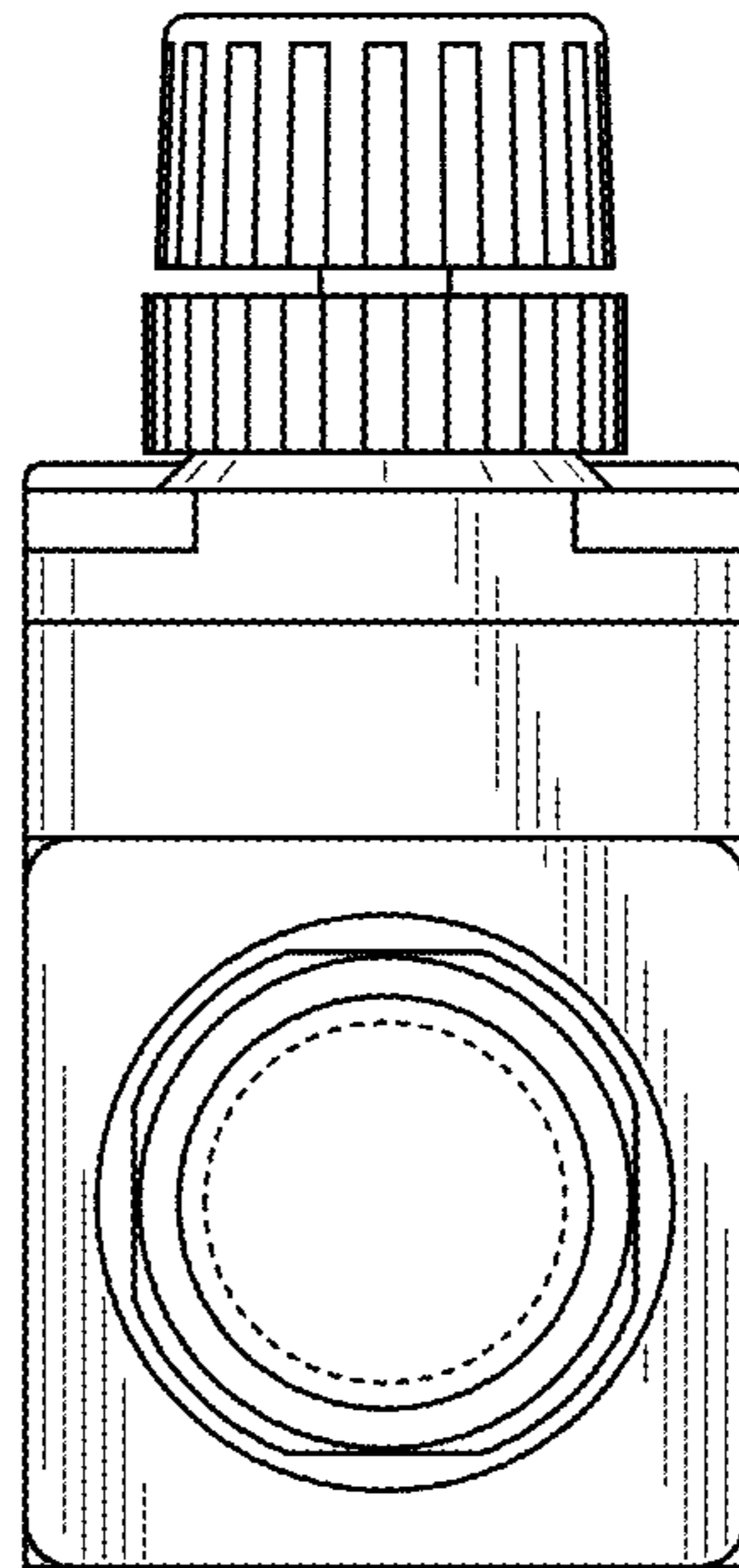


FIG. 9

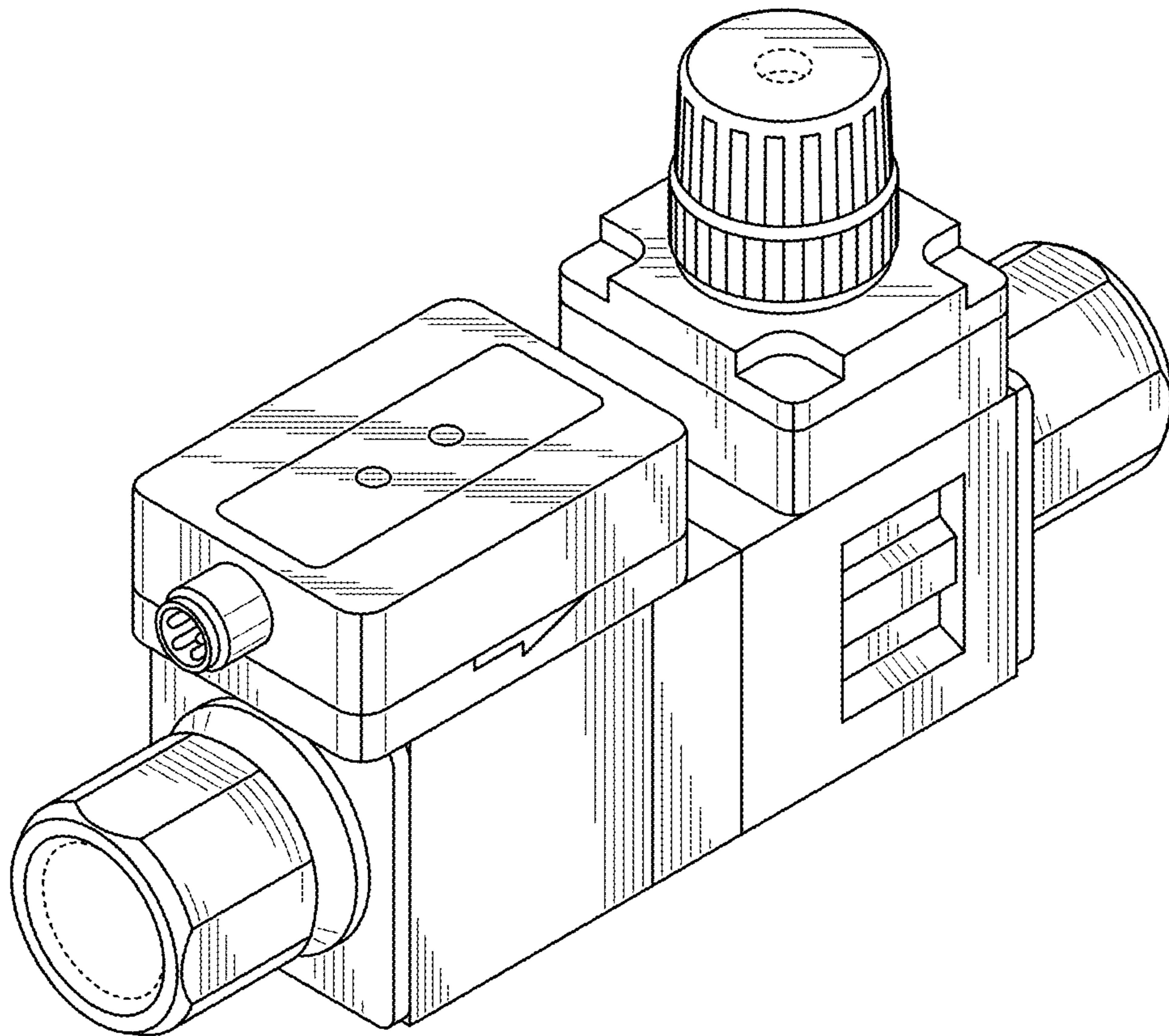


FIG. 10

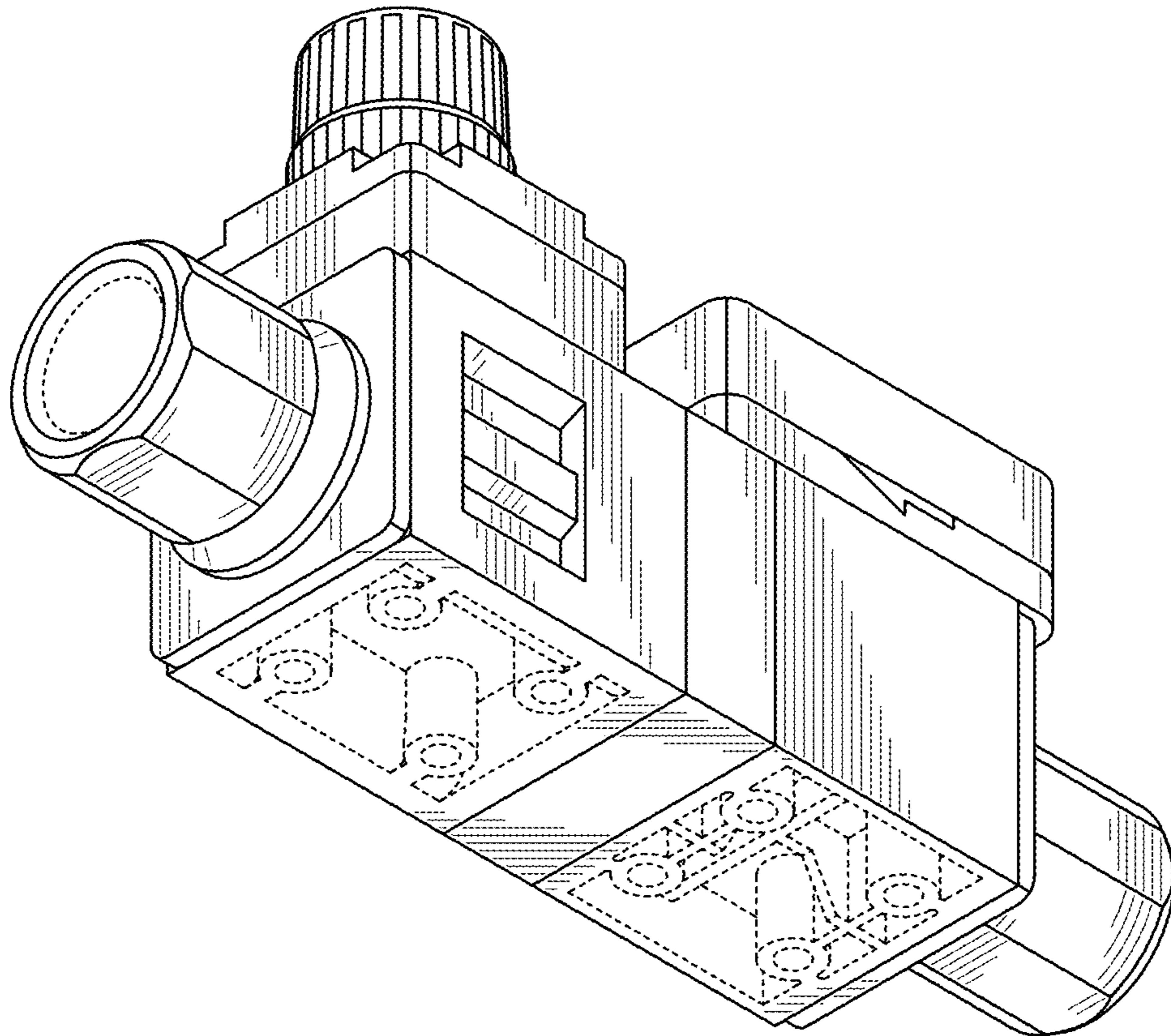


FIG. 11

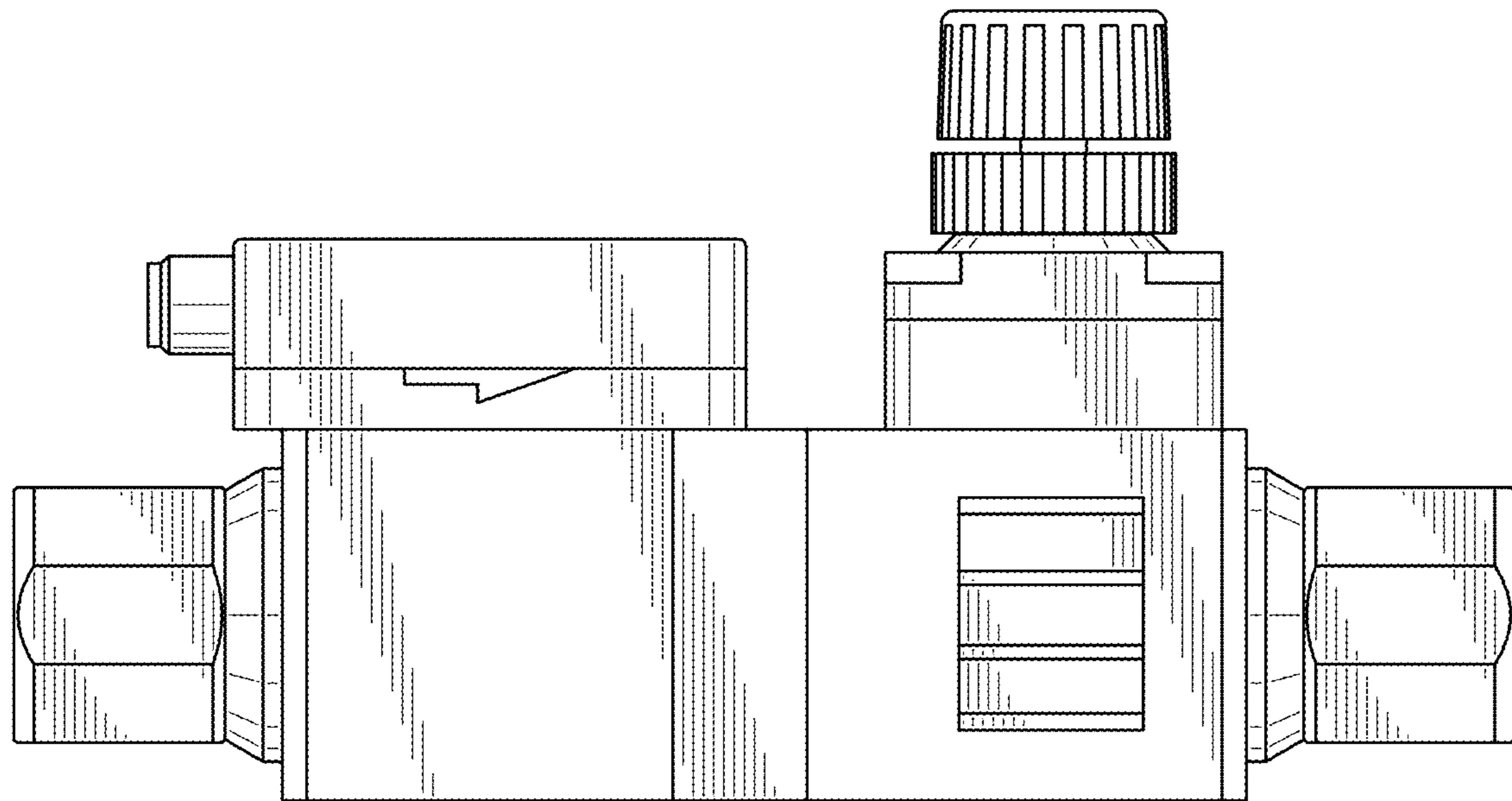


FIG. 12

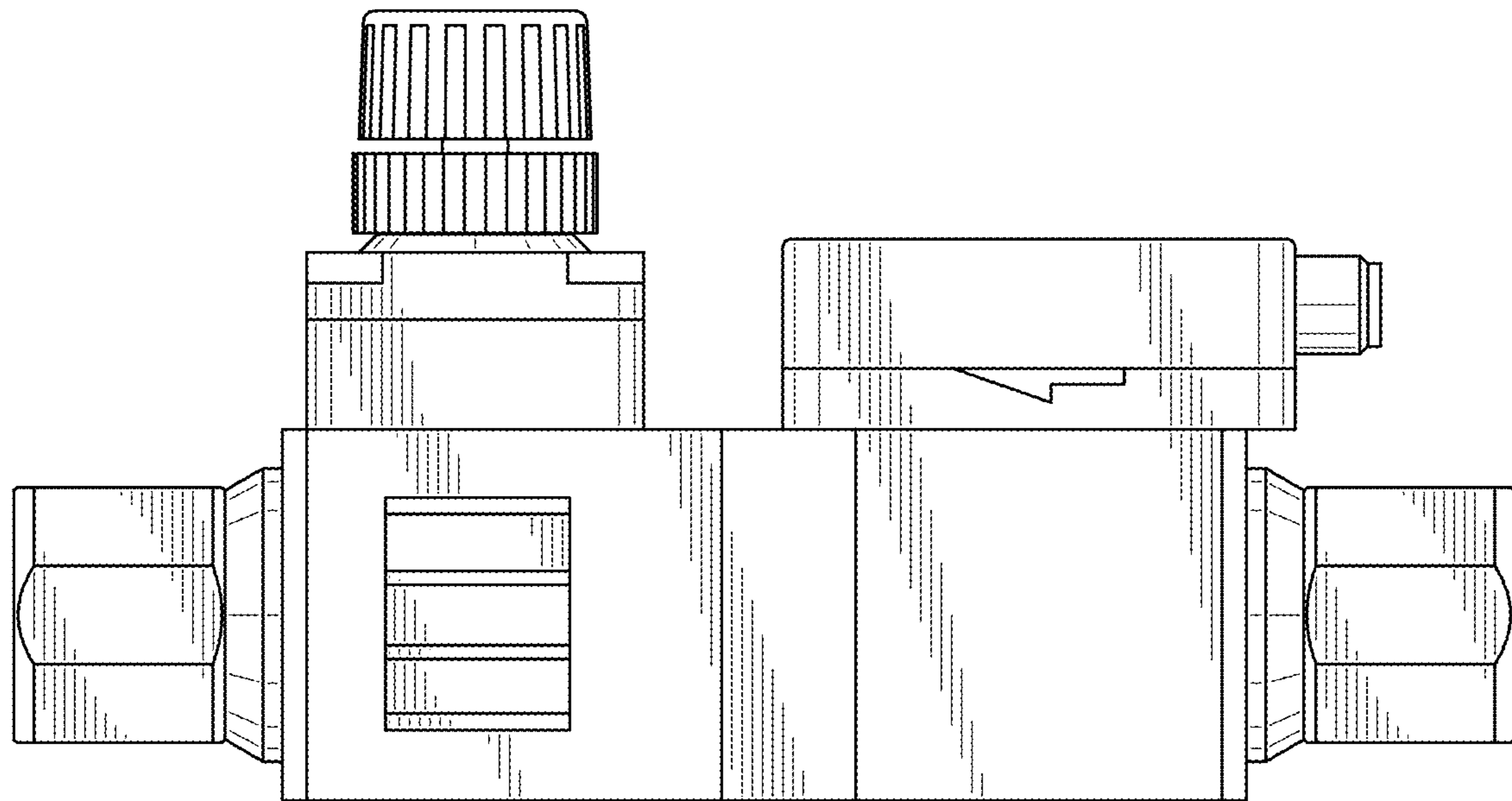


FIG. 13

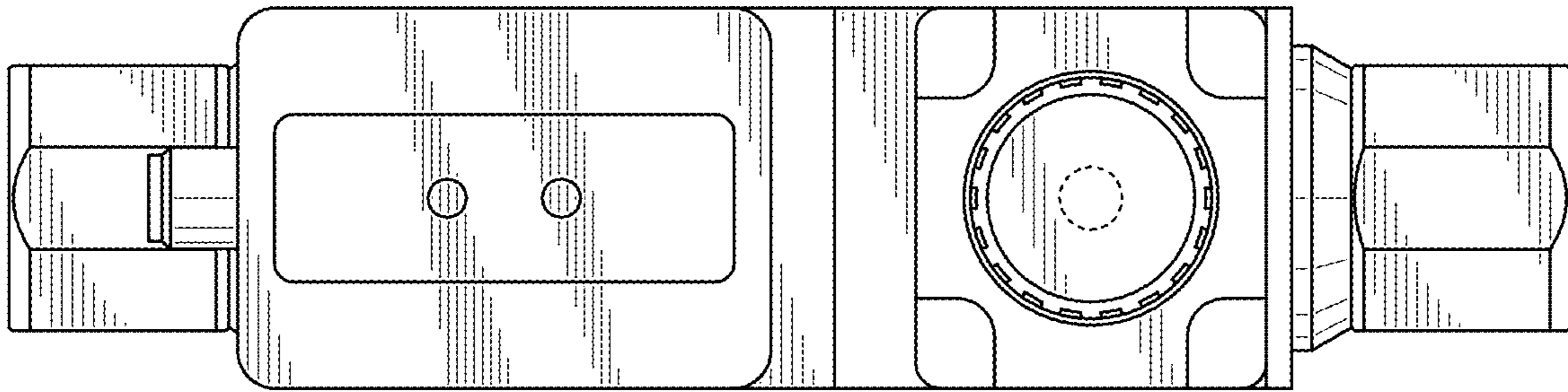


FIG. 14

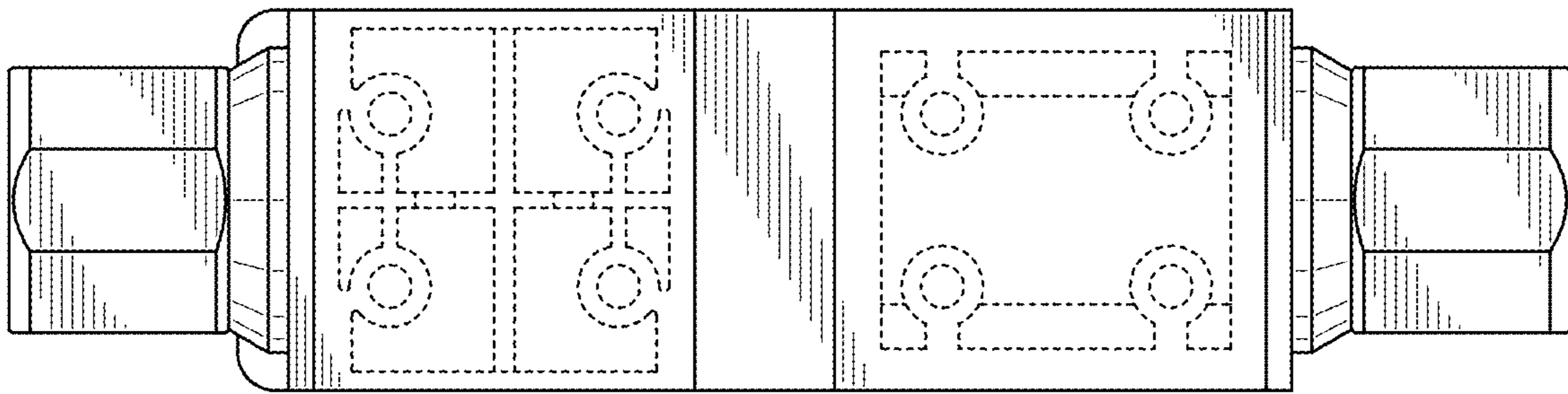


FIG. 15

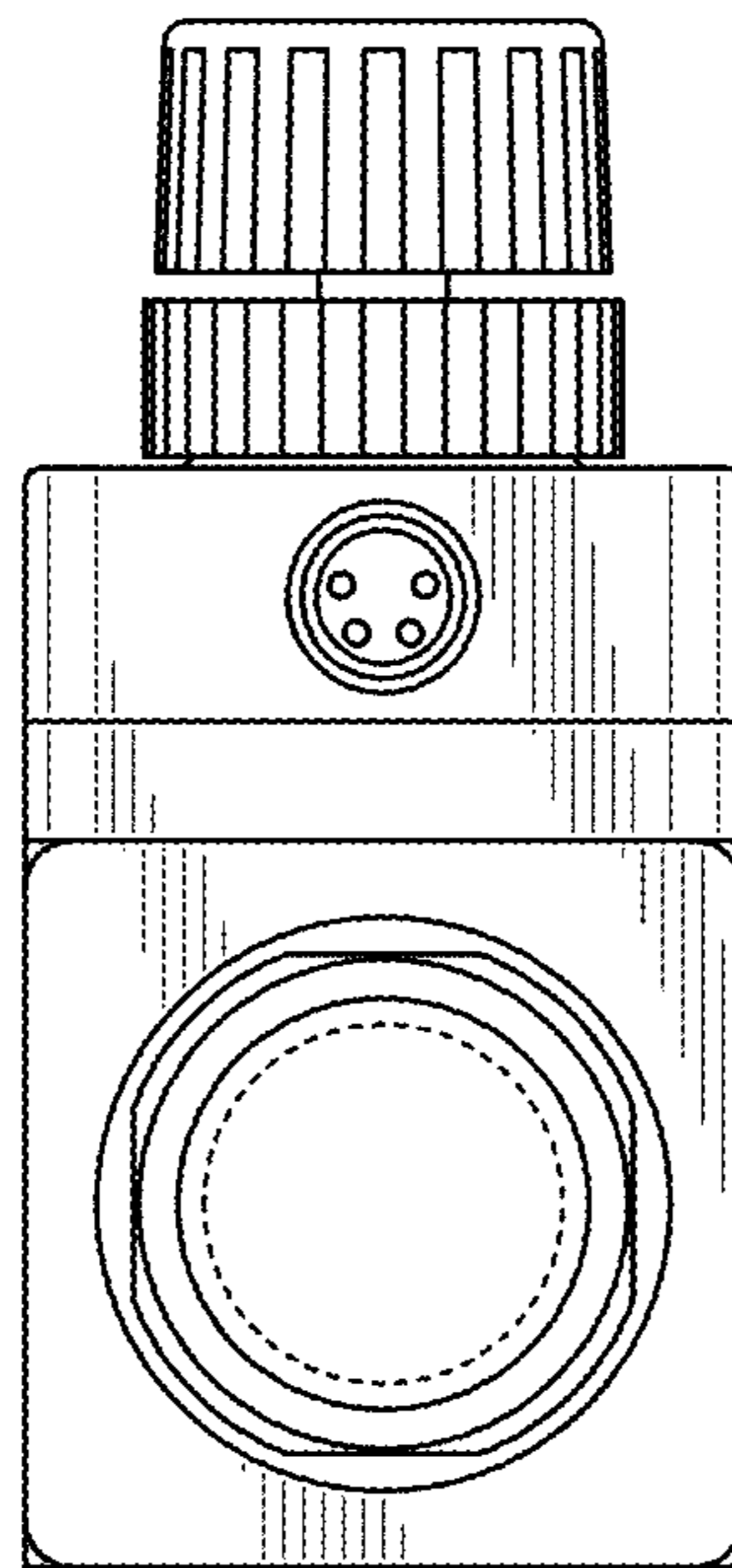


FIG. 16

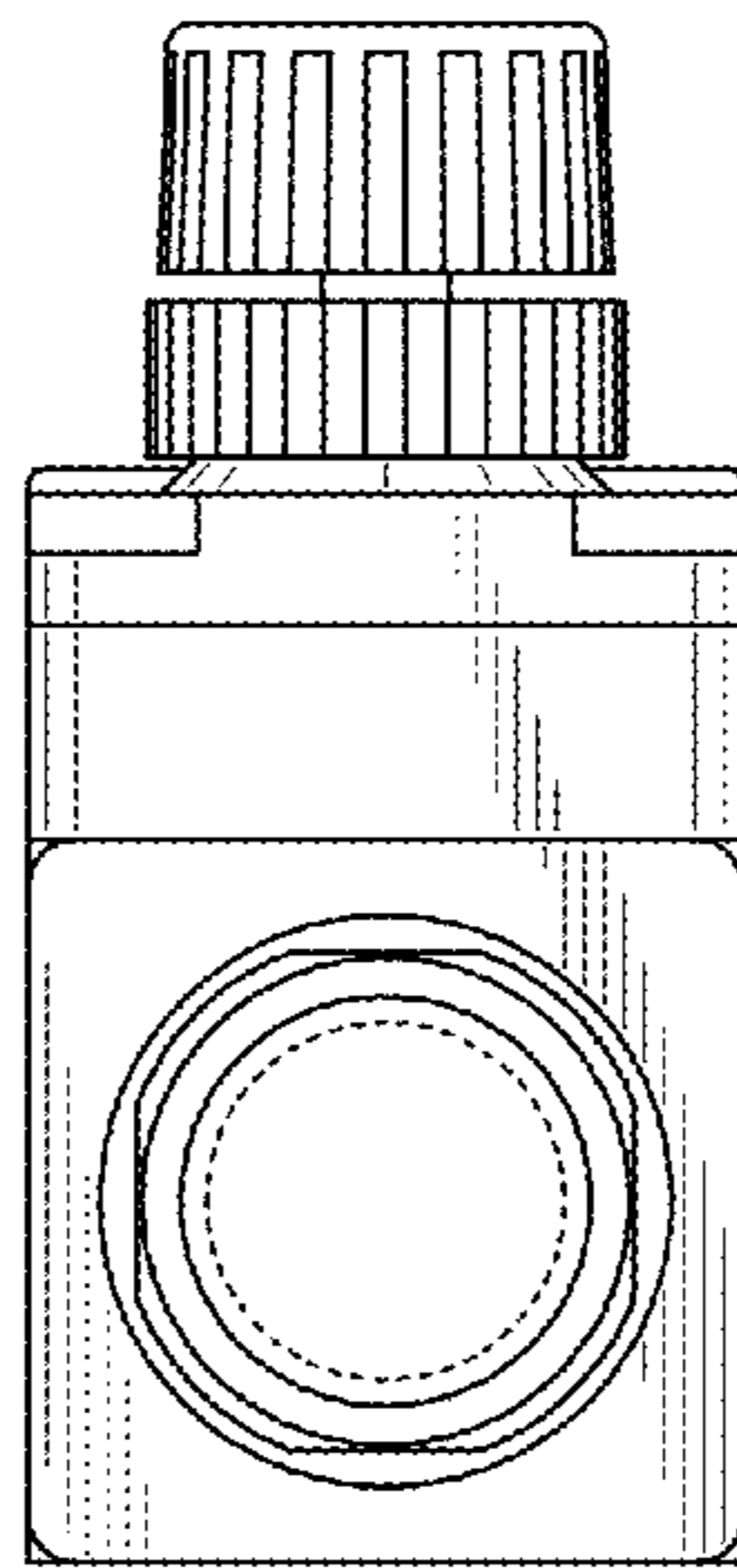


FIG. 17

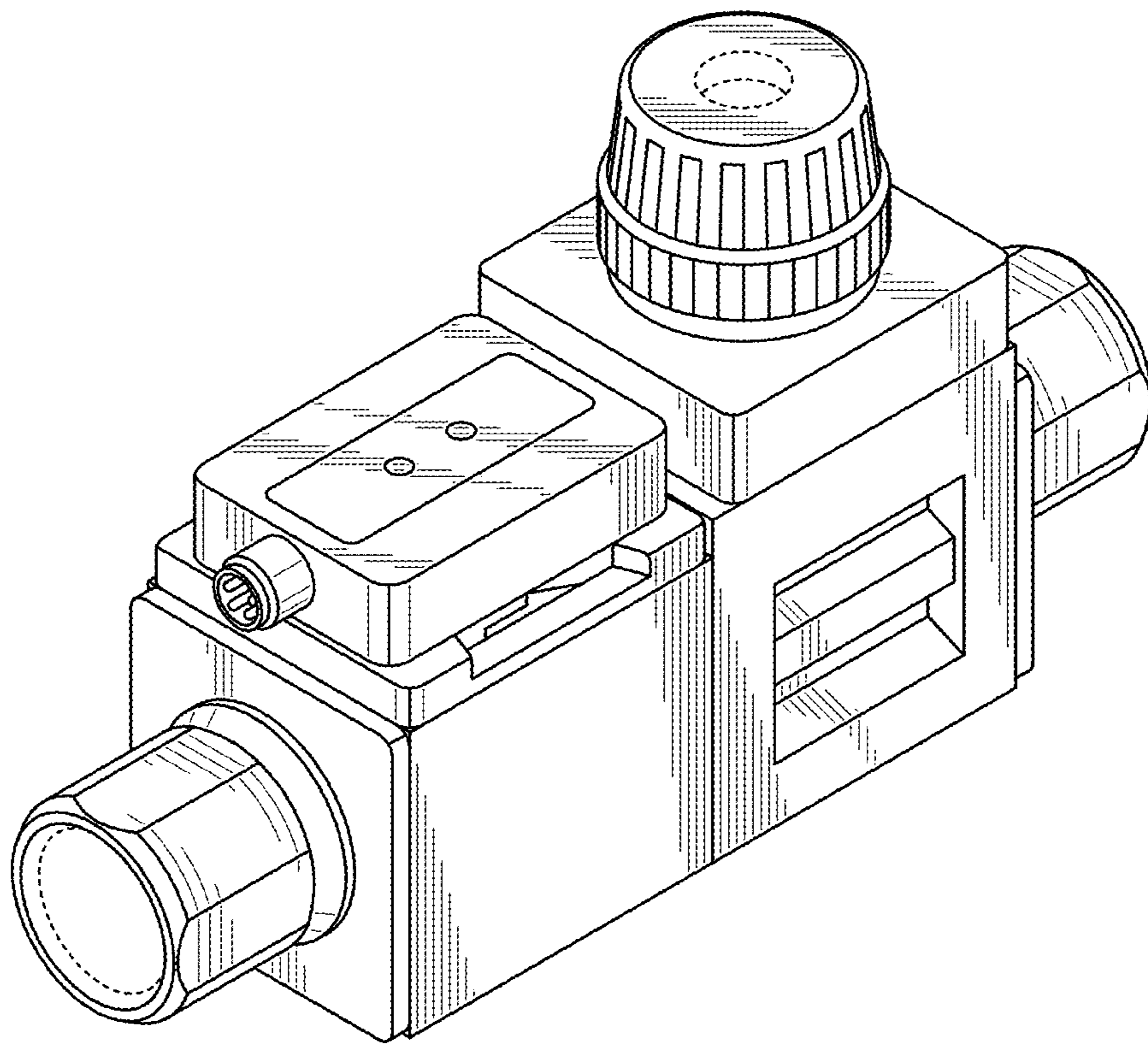


FIG. 18

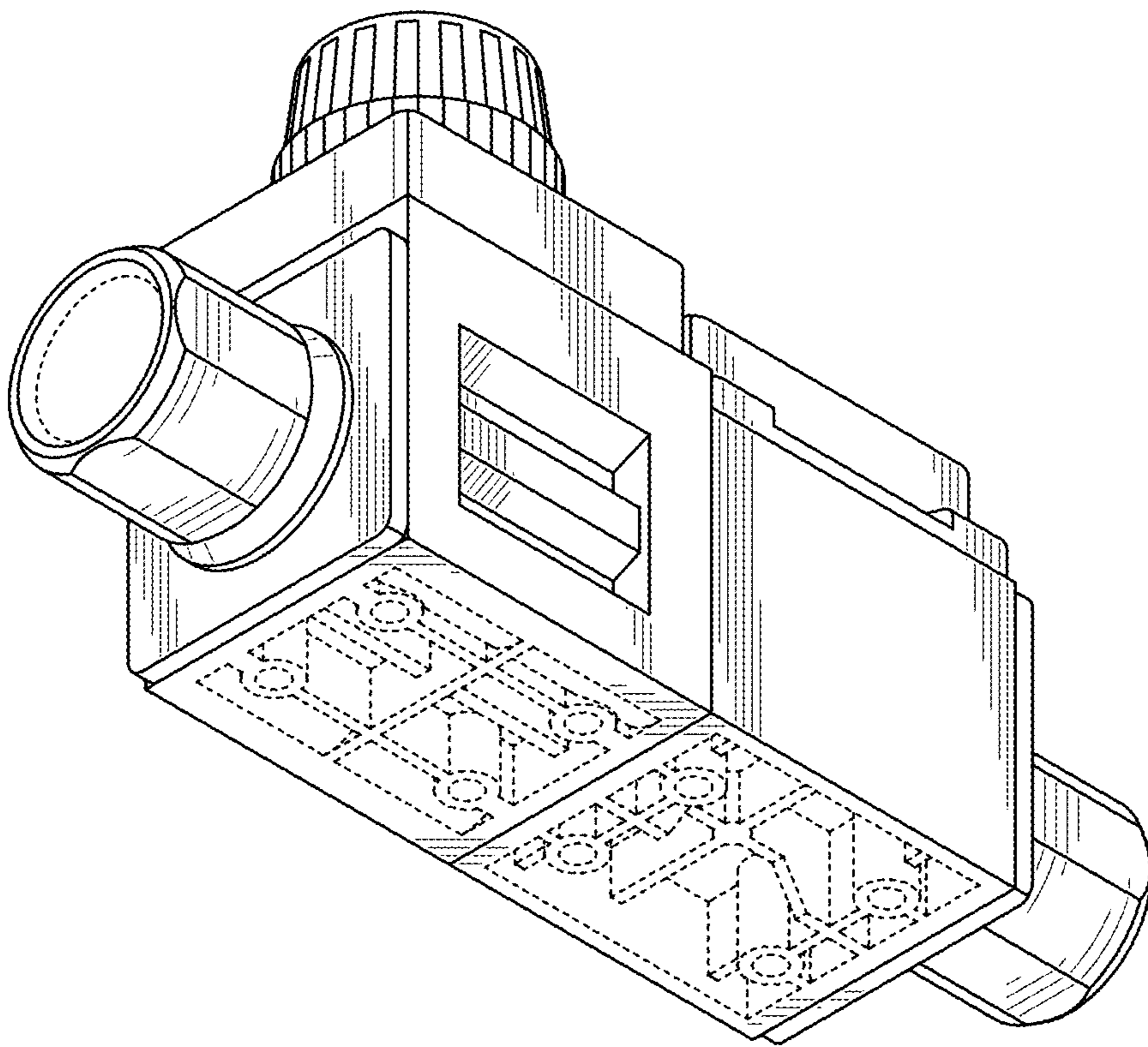


FIG. 19

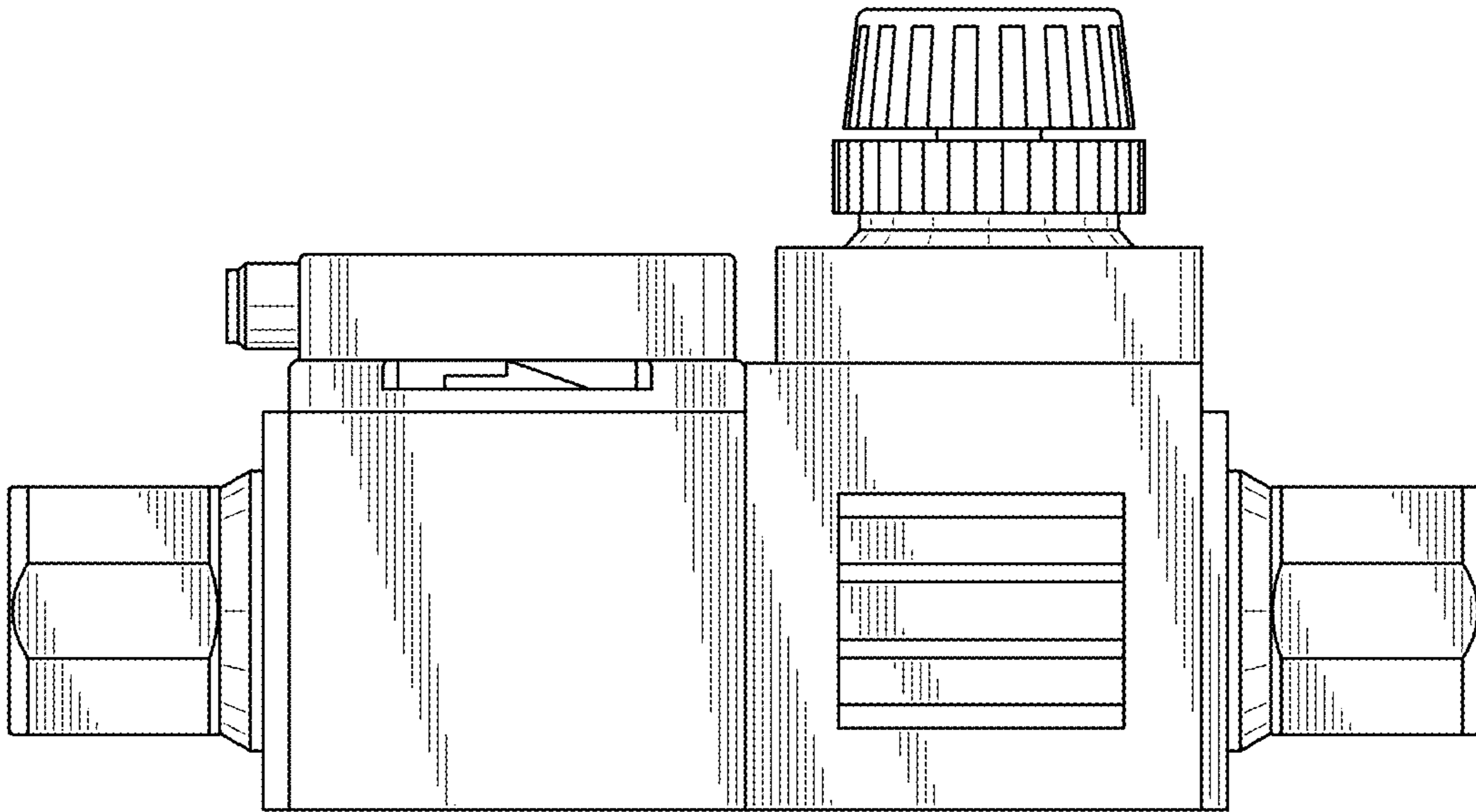


FIG. 20

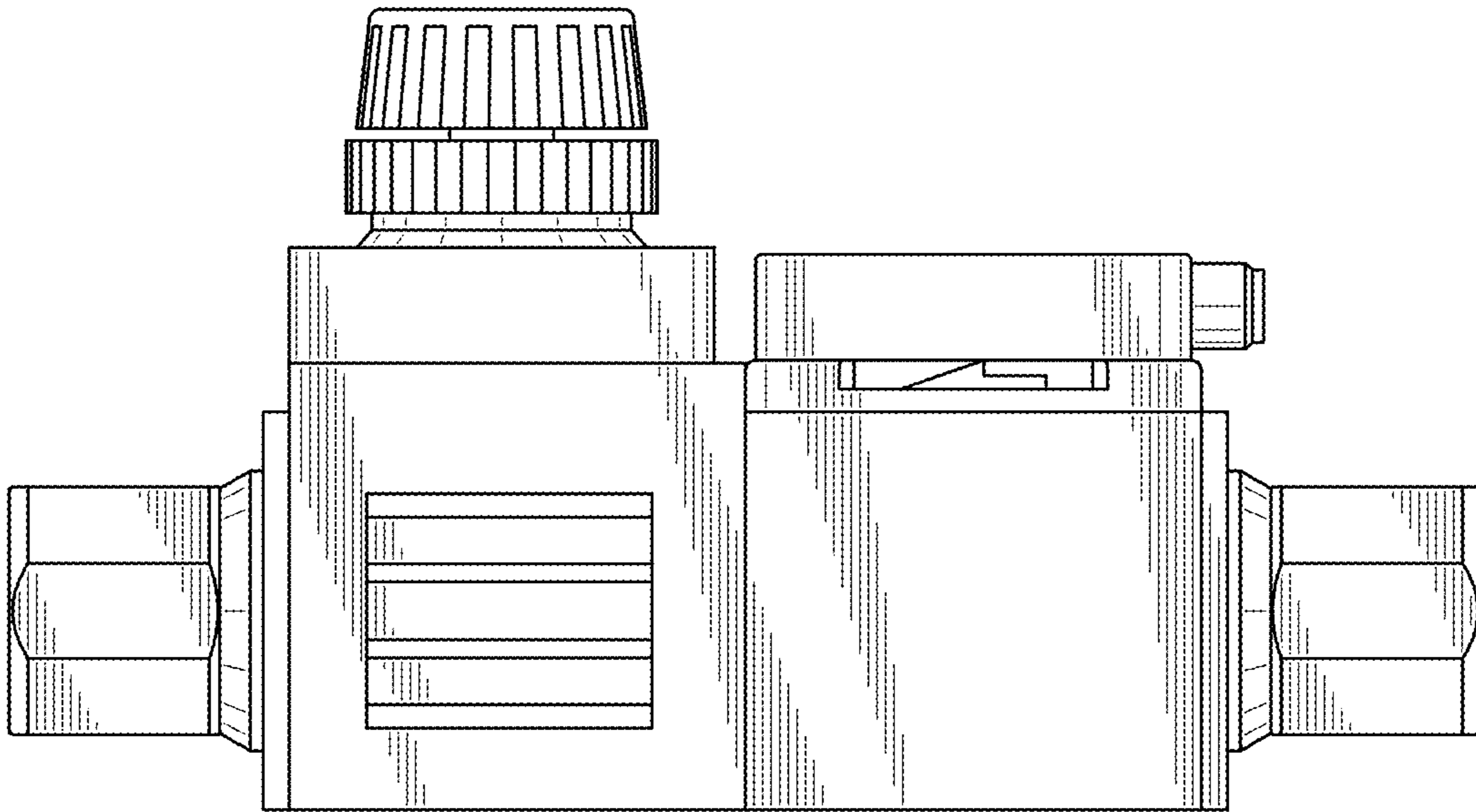


FIG. 21

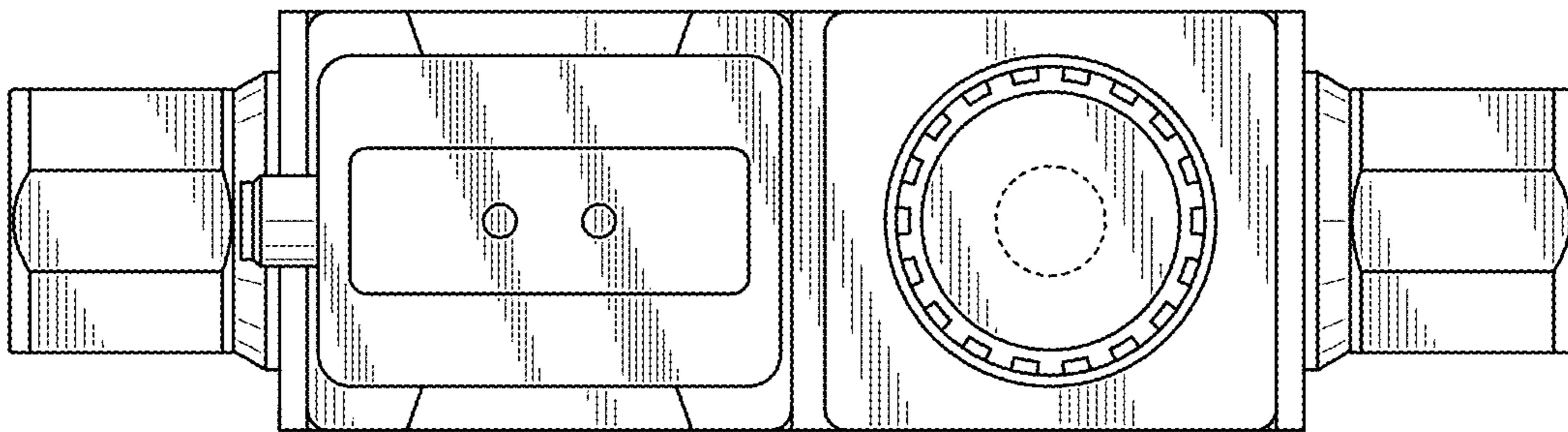


FIG. 22

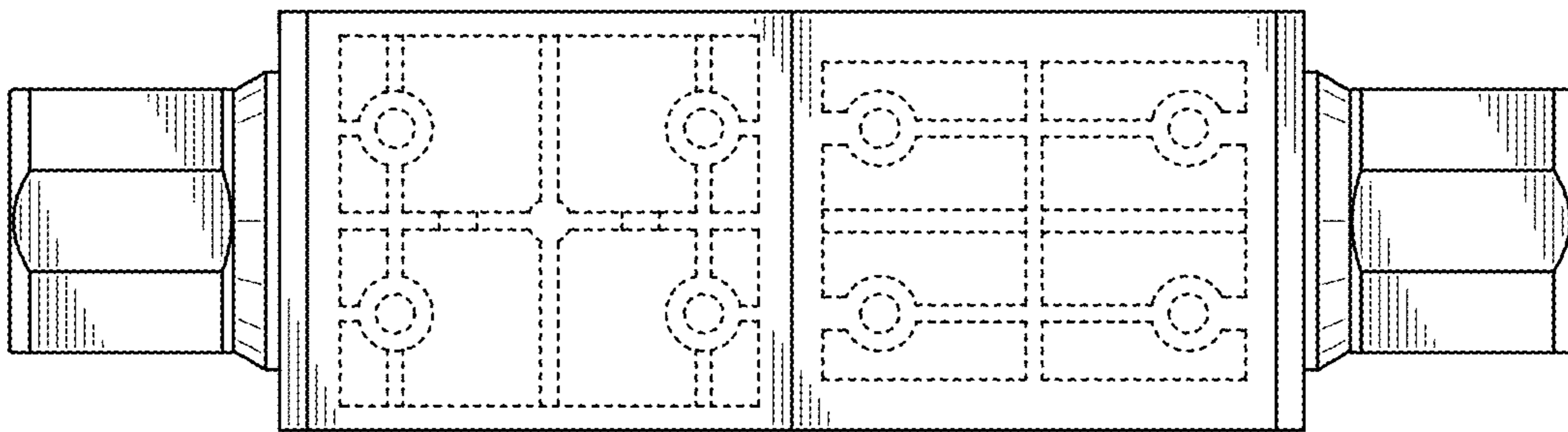


FIG. 23

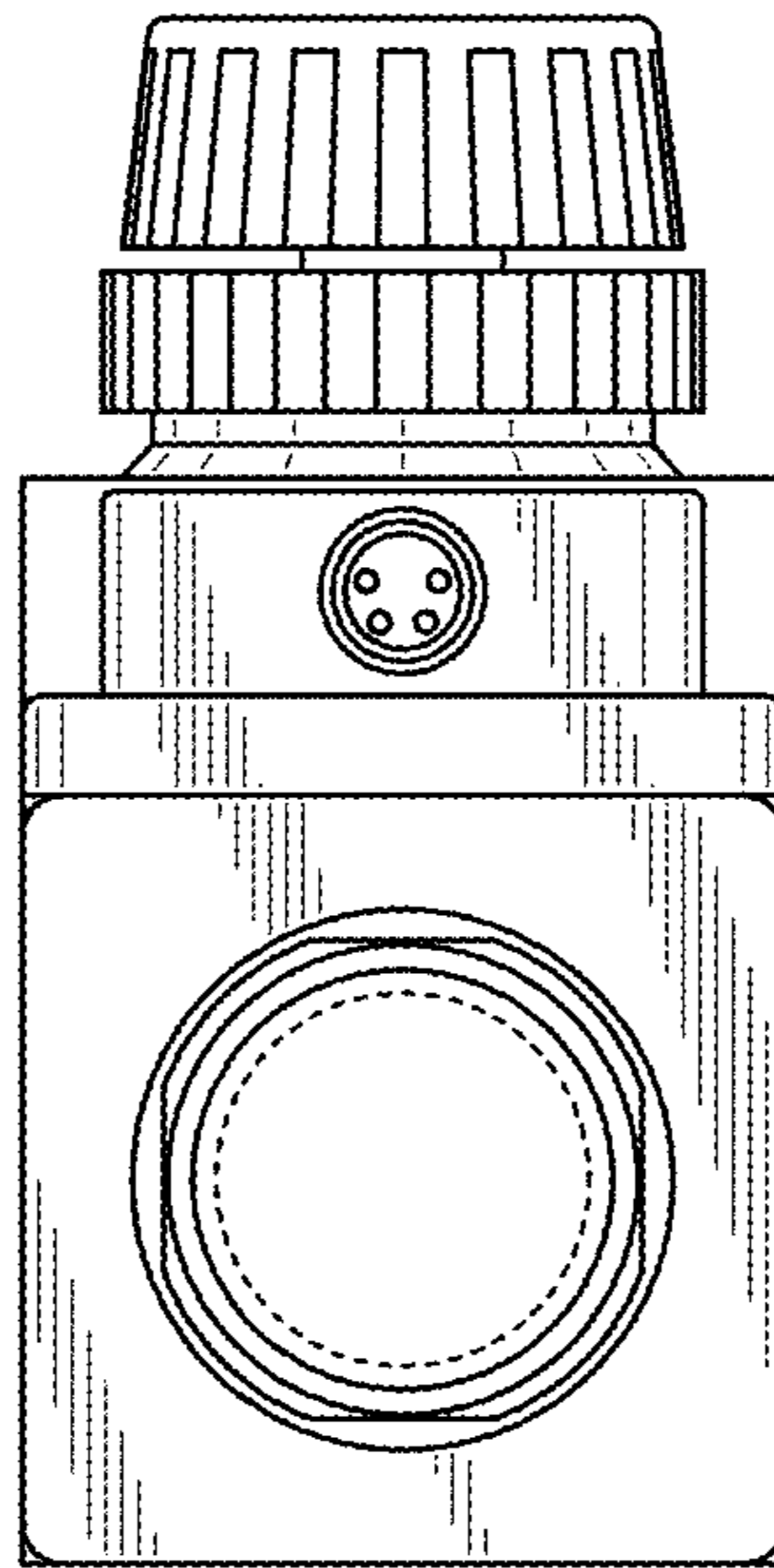


FIG. 24

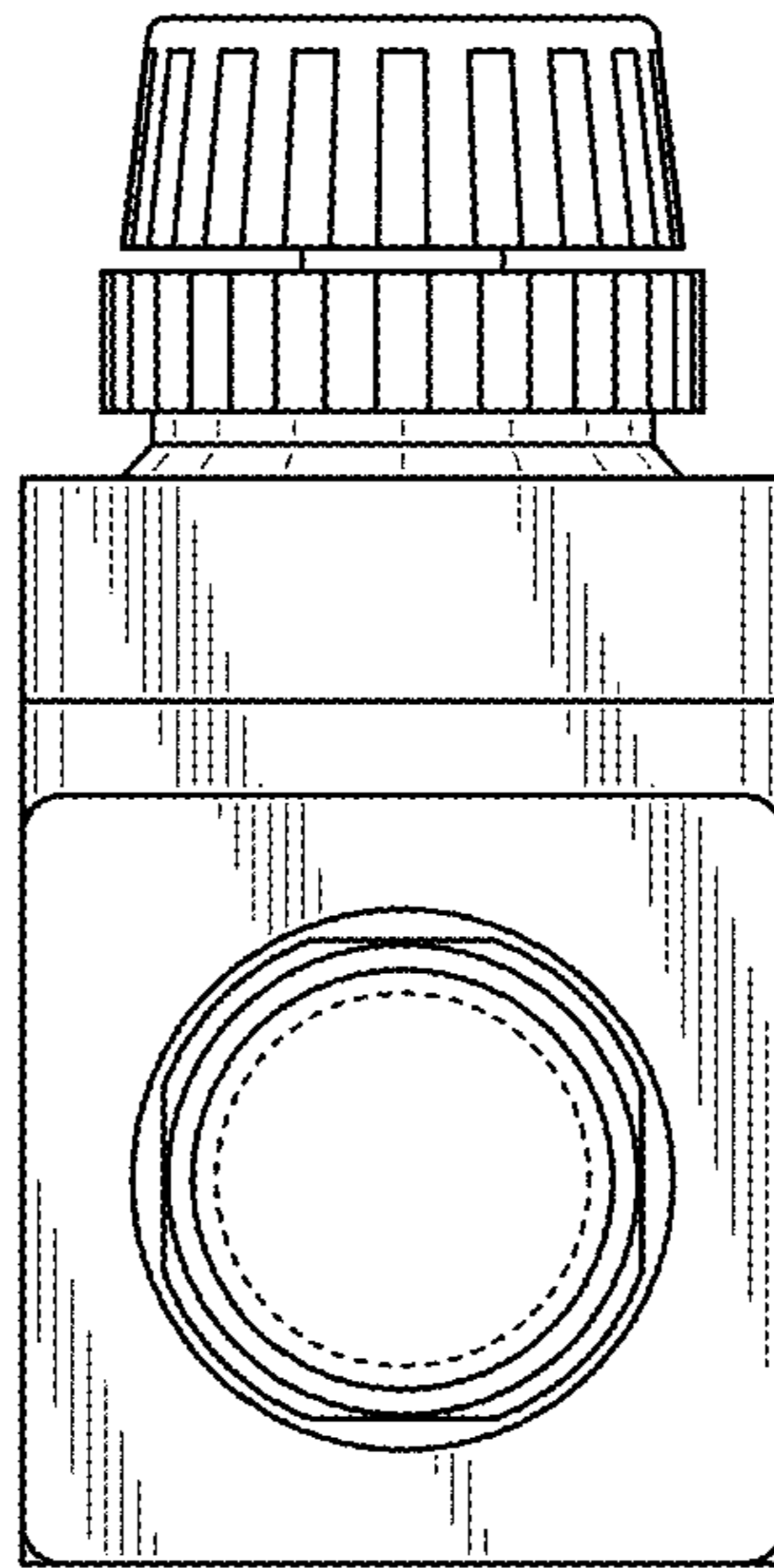


FIG. 25

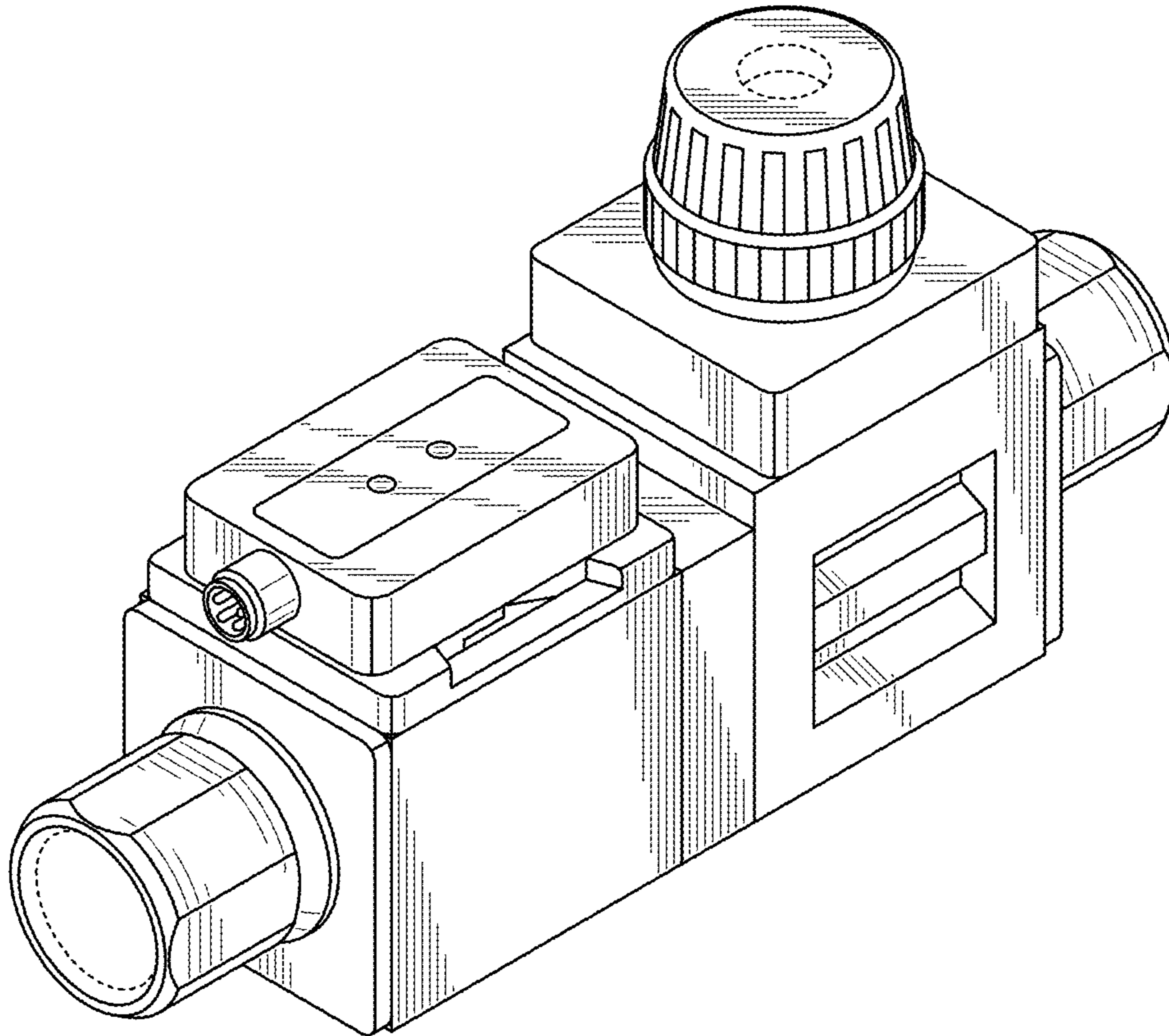


FIG. 26

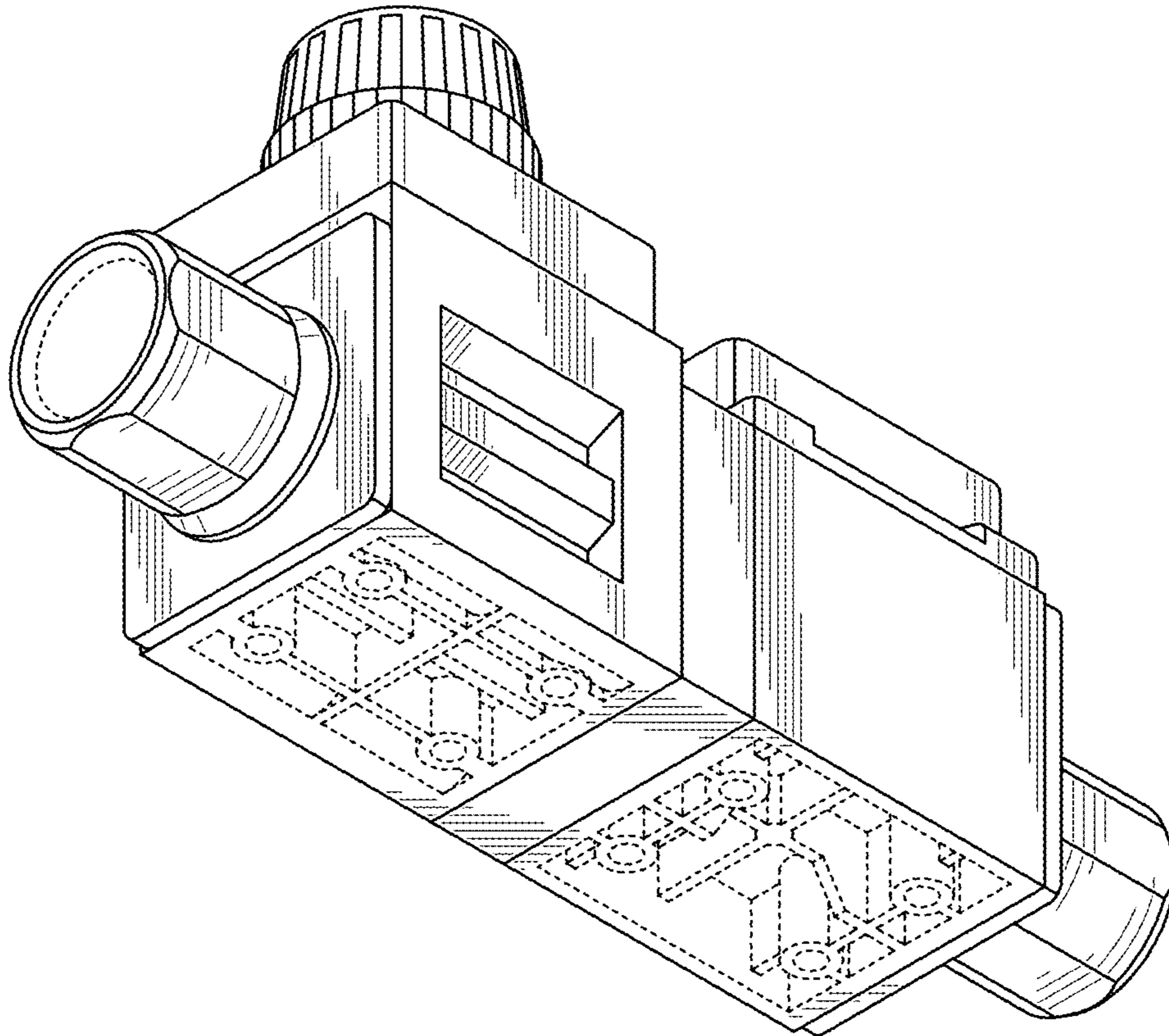


FIG. 27

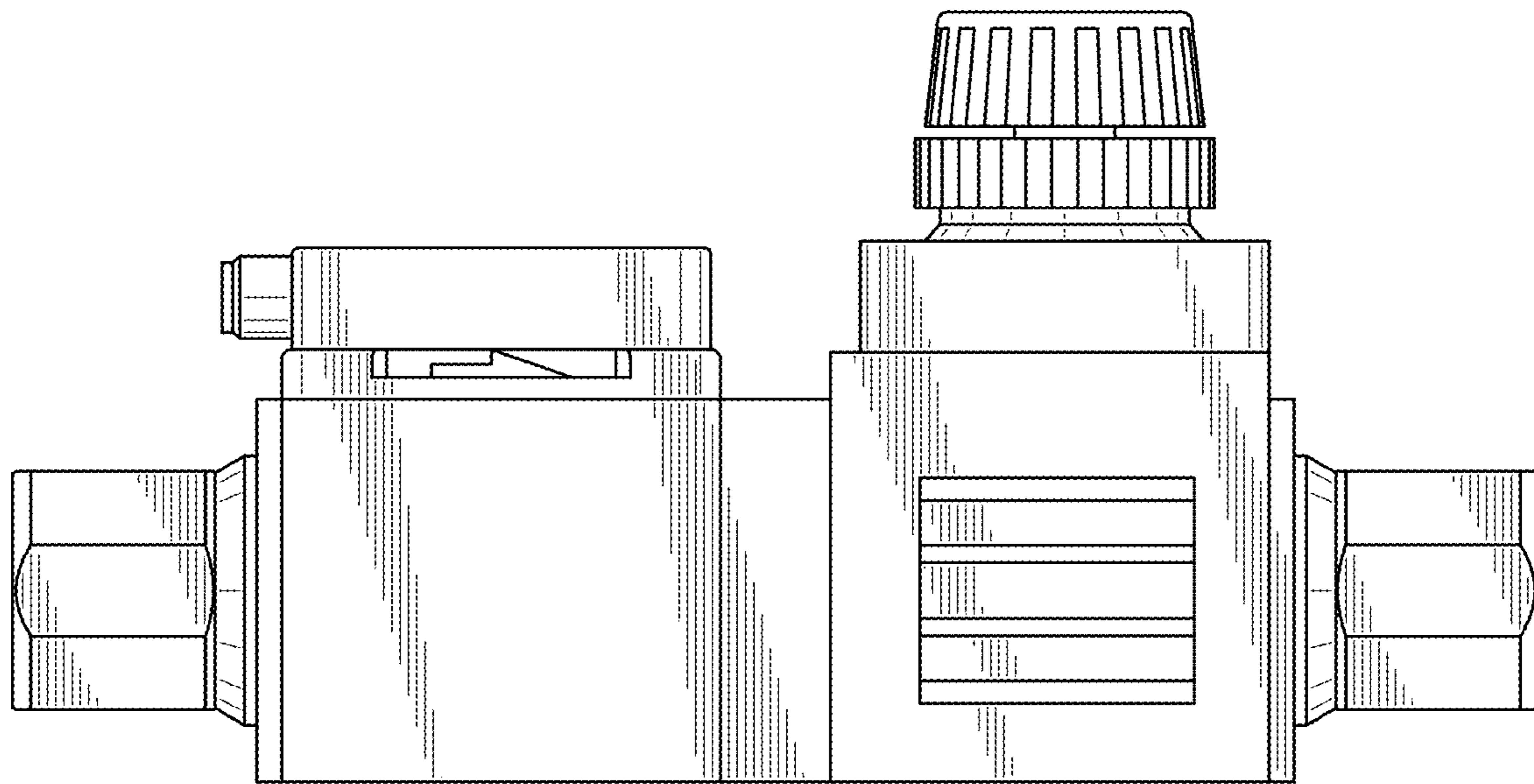


FIG. 28

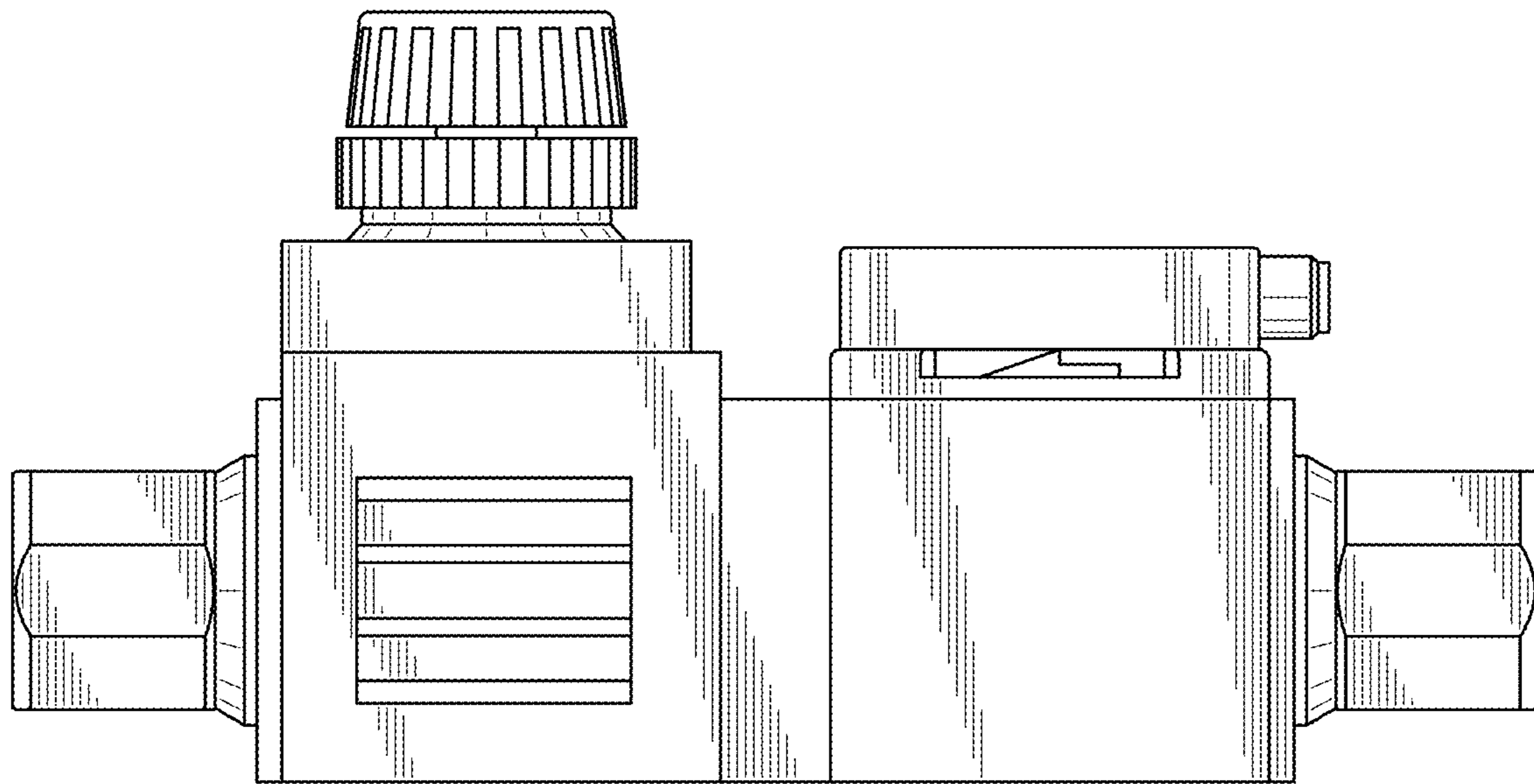


FIG. 29

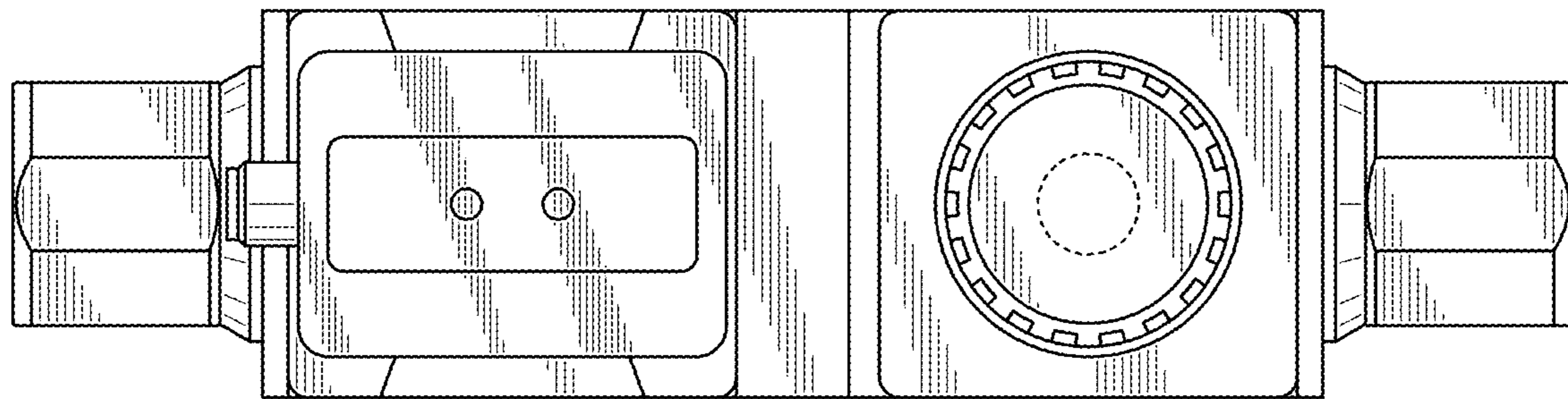


FIG. 30

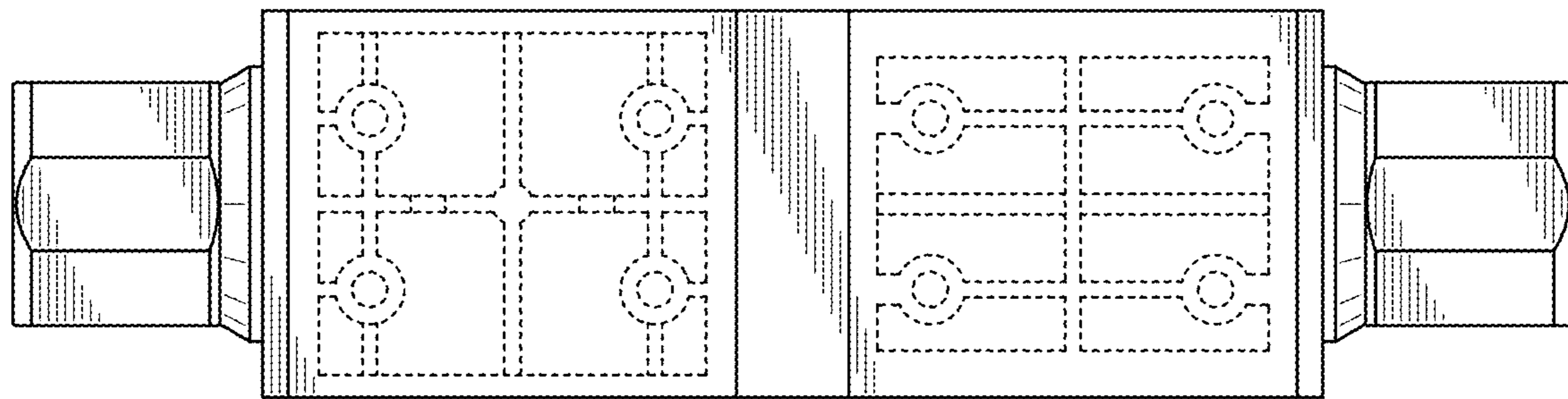


FIG. 31

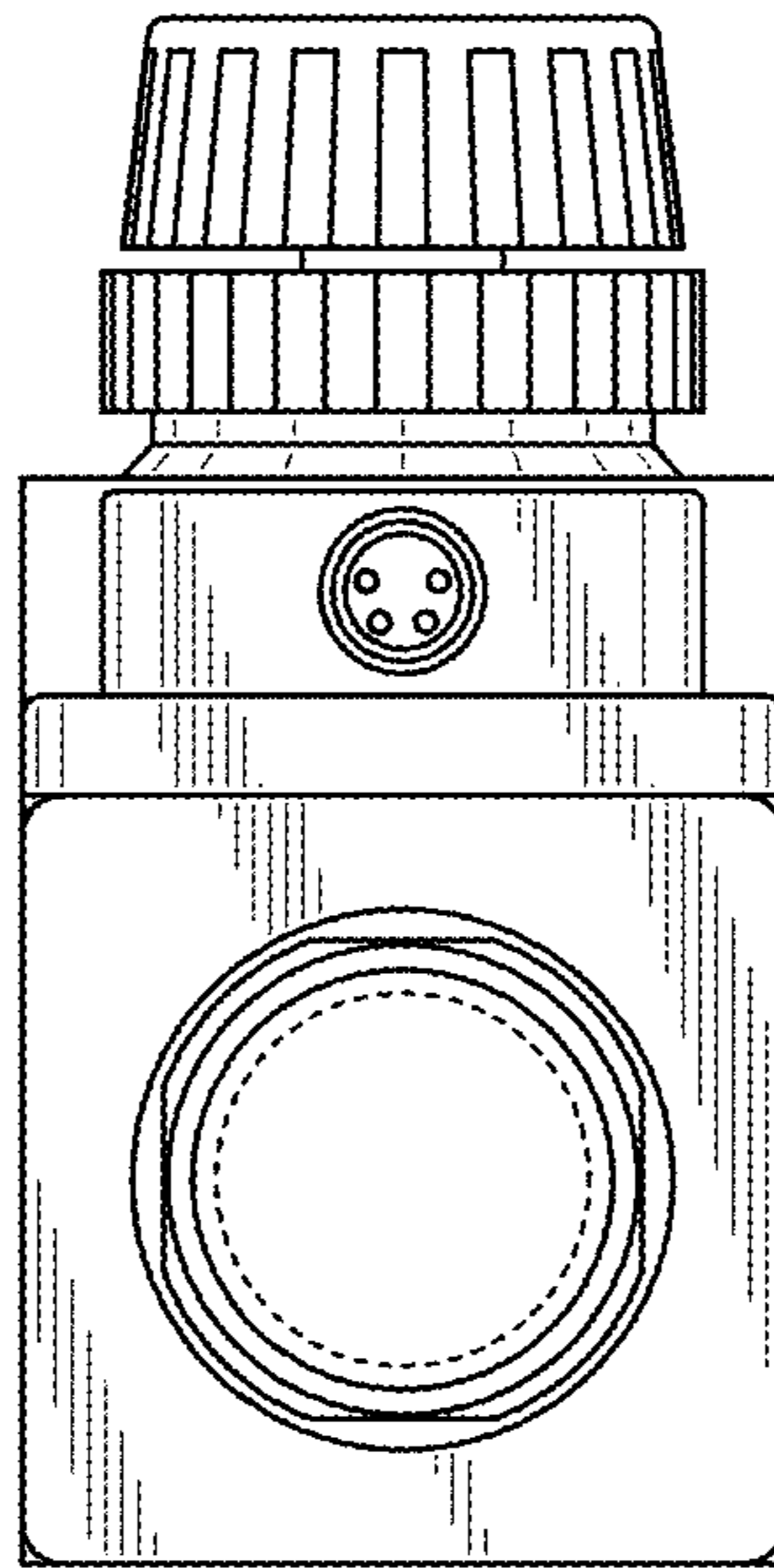


FIG. 32

