



US00D929540S

(12) **United States Design Patent**  
**Chen**

(10) **Patent No.:** **US D929,540 S**

(45) **Date of Patent:** **\*\* Aug. 31, 2021**

(54) **HANDHELD SPRAY GUN**

(71) Applicant: **SHIN TAI SPURT WATER OF THE GARDEN TOOLS CO., LTD.,**  
Chang-Hua Hsien (TW)

(72) Inventor: **Chin-Yuan Chen,** Chang-Hua Hsien (TW)

(73) Assignee: **SHIN TAI SPURT WATER OF THE GARDEN TOOLS CO., LTD.,**  
Chang-Hua Hsien (TW)

(\*\*) Term: **15 Years**

(21) Appl. No.: **29/697,724**

(22) Filed: **Jul. 10, 2019**

(51) **LOC (13) Cl.** ..... **23-01**

(52) **U.S. Cl.**  
USPC ..... **D23/226**

(58) **Field of Classification Search**  
USPC ..... D8/2; D23/213, 223, 224, 226, 229, 230  
CPC ..... B05B 1/16; B05B 9/01; B05B 12/002;  
B05B 12/0022; B05B 12/0024; B05B  
12/0026; B05B 15/63; B25G 1/10; A01M  
7/0046

See application file for complete search history.

(56) **References Cited**

U.S. PATENT DOCUMENTS

4,534,512	A *	8/1985	Chow	.....	B05B 1/12 239/394
4,666,085	A *	5/1987	Liaw	.....	B05B 1/1654 239/394
5,501,400	A *	3/1996	Kuo	.....	B05B 1/1654 239/394
5,873,531	A *	2/1999	Wang	.....	B05B 1/1654 239/394
6,247,654	B1 *	6/2001	Kuo	.....	A62C 31/03 239/443
6,279,839	B1 *	8/2001	Chang	.....	B05B 1/3046 239/391

D460,520	S *	7/2002	Huang	.....	D23/226
D464,707	S *	10/2002	Wang	.....	D23/226
D465,550	S *	11/2002	Wang	.....	D23/226
D470,220	S *	2/2003	Nien	.....	D23/226
D471,957	S *	3/2003	Nien	.....	D23/226
D475,435	S *	6/2003	Chen	.....	D23/223
D475,763	S *	6/2003	Kuo	.....	D23/226
6,719,219	B1 *	4/2004	Wang	.....	B05B 1/1654 239/392

(Continued)

OTHER PUBLICATIONS

“Orbit SunMate 3 Piece Nozzle Set”, Nov. 2, 2012, Amazon, Site visited Nov. 30, 2020: <https://www.amazon.ca/dp/B004RUBFN0/> (Year: 2012).\*

(Continued)

*Primary Examiner* — Jack Reickel  
*Assistant Examiner* — Bobby W Jones, II

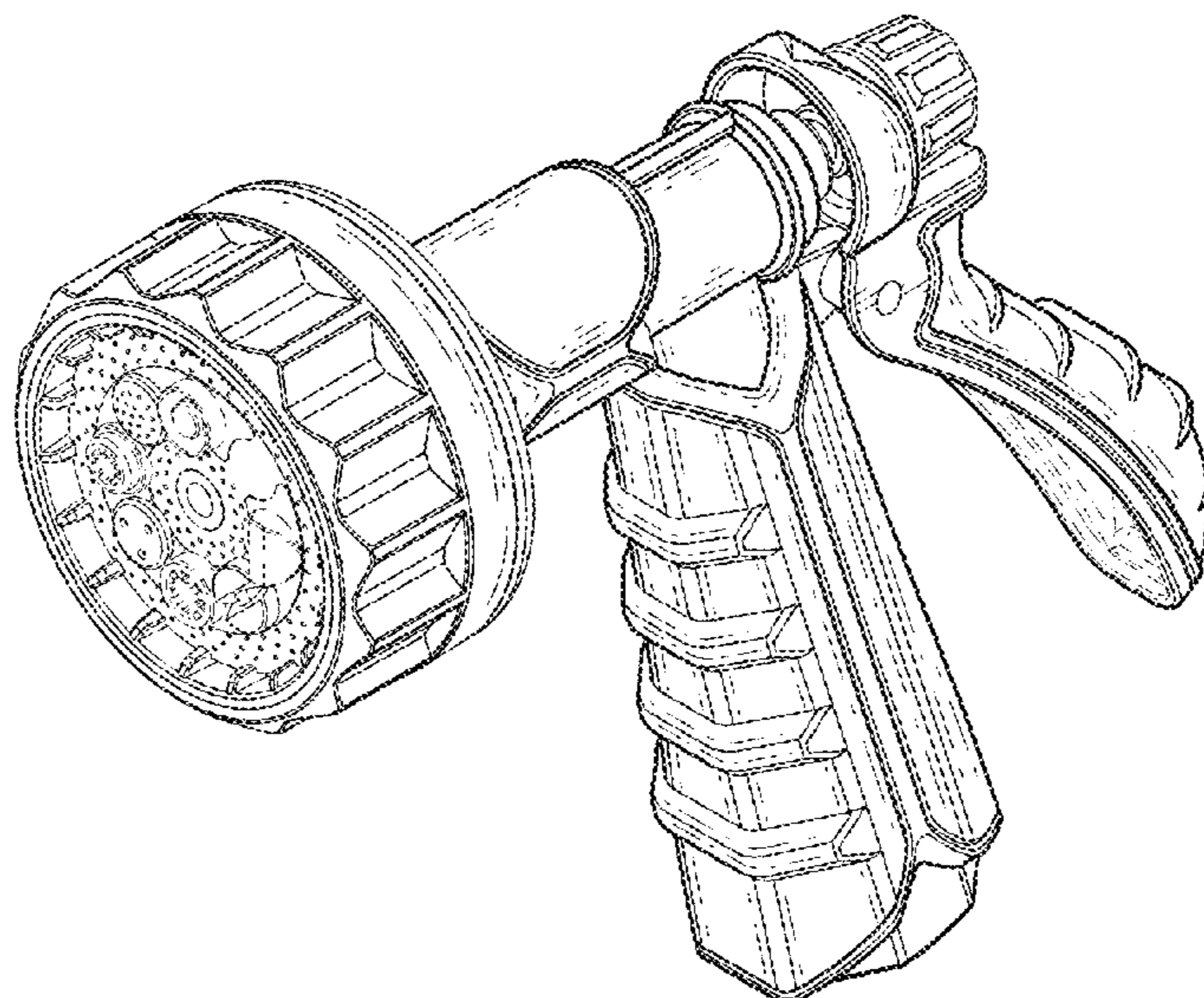
(57) **CLAIM**

The ornamental design for a handheld spray gun, as shown and described.

**DESCRIPTION**

FIG. 1 is a perspective view of a handheld spray gun showing my new design;  
FIG. 2 is a front elevational view thereof;  
FIG. 3 is a rear elevational view thereof;  
FIG. 4 is a left side elevational view thereof;  
FIG. 5 is a right side elevational view thereof;  
FIG. 6 is a top plan view thereof;  
FIG. 7 is a bottom plan view thereof; and,  
FIG. 8 is another perspective schematic view of a Handheld Spray Gun showing my design.  
The broken line showing of the handheld spray gun is for the purpose of illustrating environmental structure and forms no part of the claimed design.

**1 Claim, 6 Drawing Sheets**



(56)

**References Cited**

U.S. PATENT DOCUMENTS

D501,537	S	*	2/2005	Zeng	.....	D23/226
D501,538	S	*	2/2005	Zeng	.....	D23/226
D517,645	S	*	3/2006	Chang	.....	D23/226
D532,077	S	*	11/2006	Chen	.....	D23/213
D537,504	S	*	2/2007	Luo	.....	D23/226
D553,712	S	*	10/2007	Chih	.....	D23/226
D767,096	S	*	9/2016	Chen	.....	D23/226
D769,415	S	*	10/2016	Chen	.....	D23/226
D774,164	S	*	12/2016	Chen	.....	D23/226
2002/0179741	A1	*	12/2002	Chen	.....	B05B 9/01 239/526
2005/0133614	A1	*	6/2005	Chen	.....	B05B 1/1645 239/71
2015/0034740	A1	*	2/2015	Su	.....	B05B 12/0024 239/526

OTHER PUBLICATIONS

“Viking 912600” May 5, 2018, Amazon, site visited Dec. 9, 2020:  
<https://www.amazon.ca/dp/B001GJ3FIS/> (Year: 2018).\*

\* cited by examiner

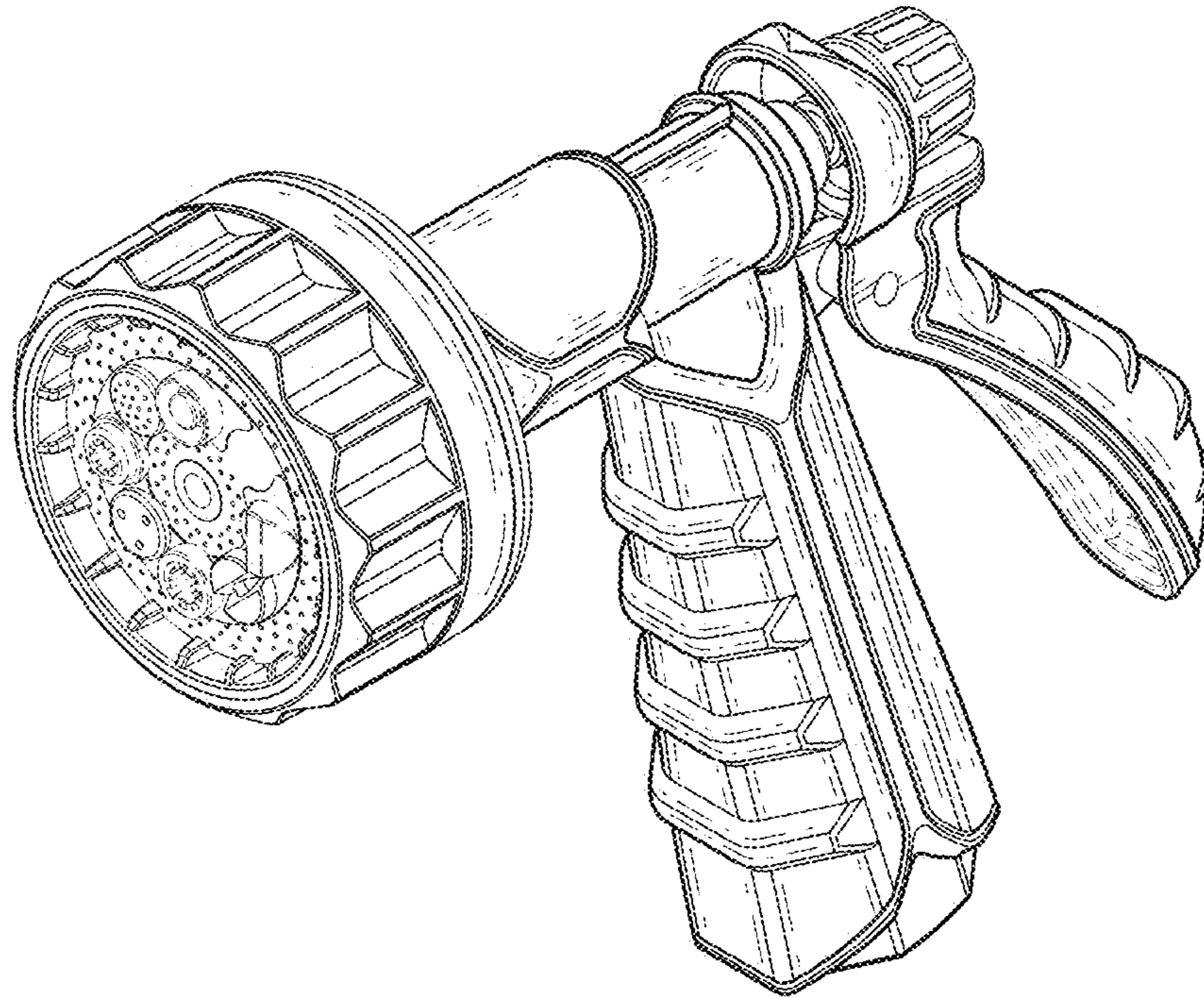


FIG.1

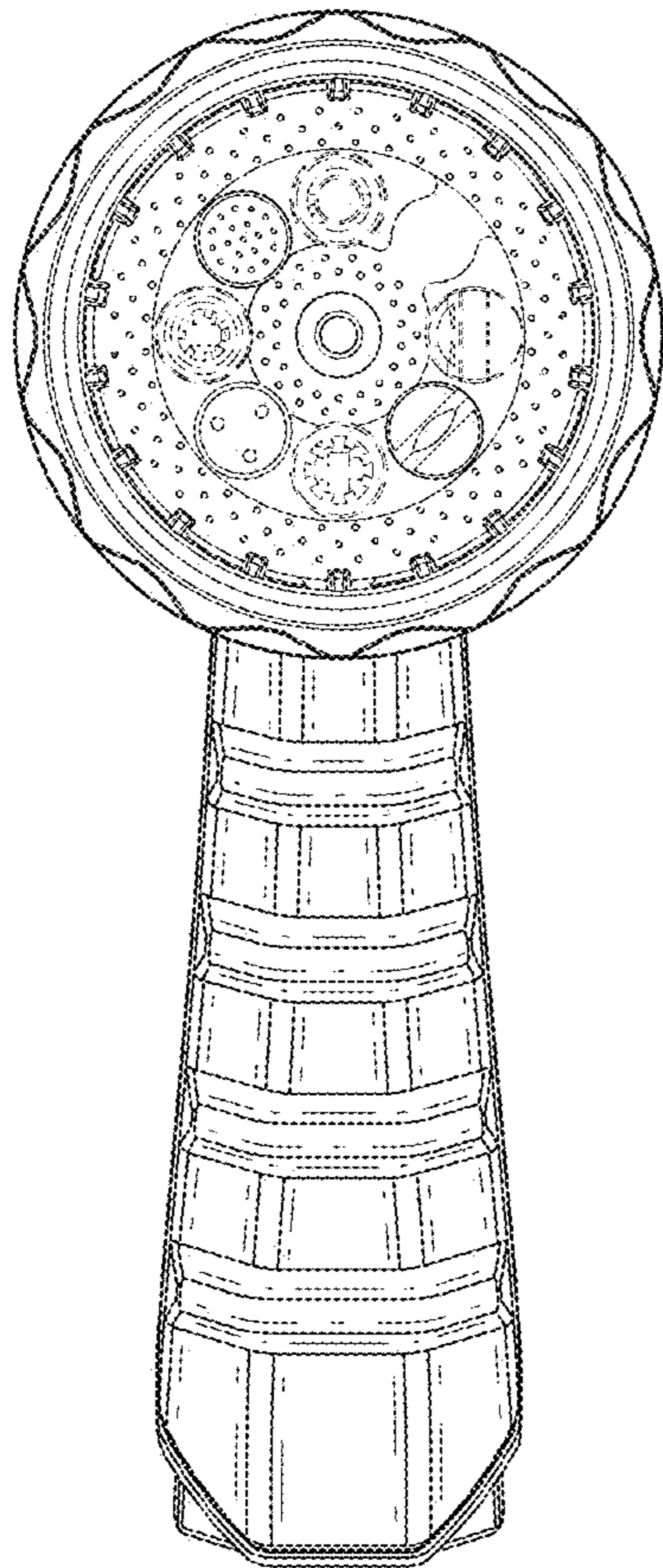


FIG. 2

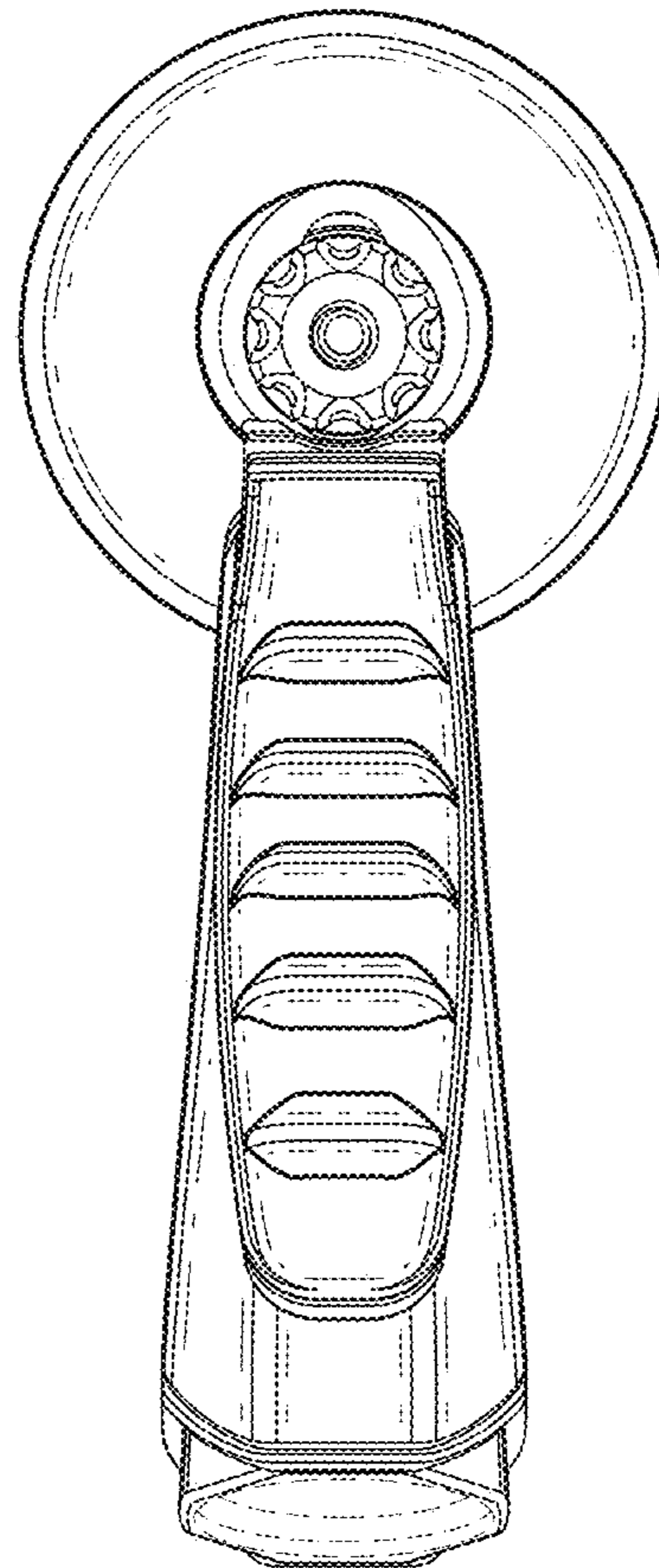


FIG. 3

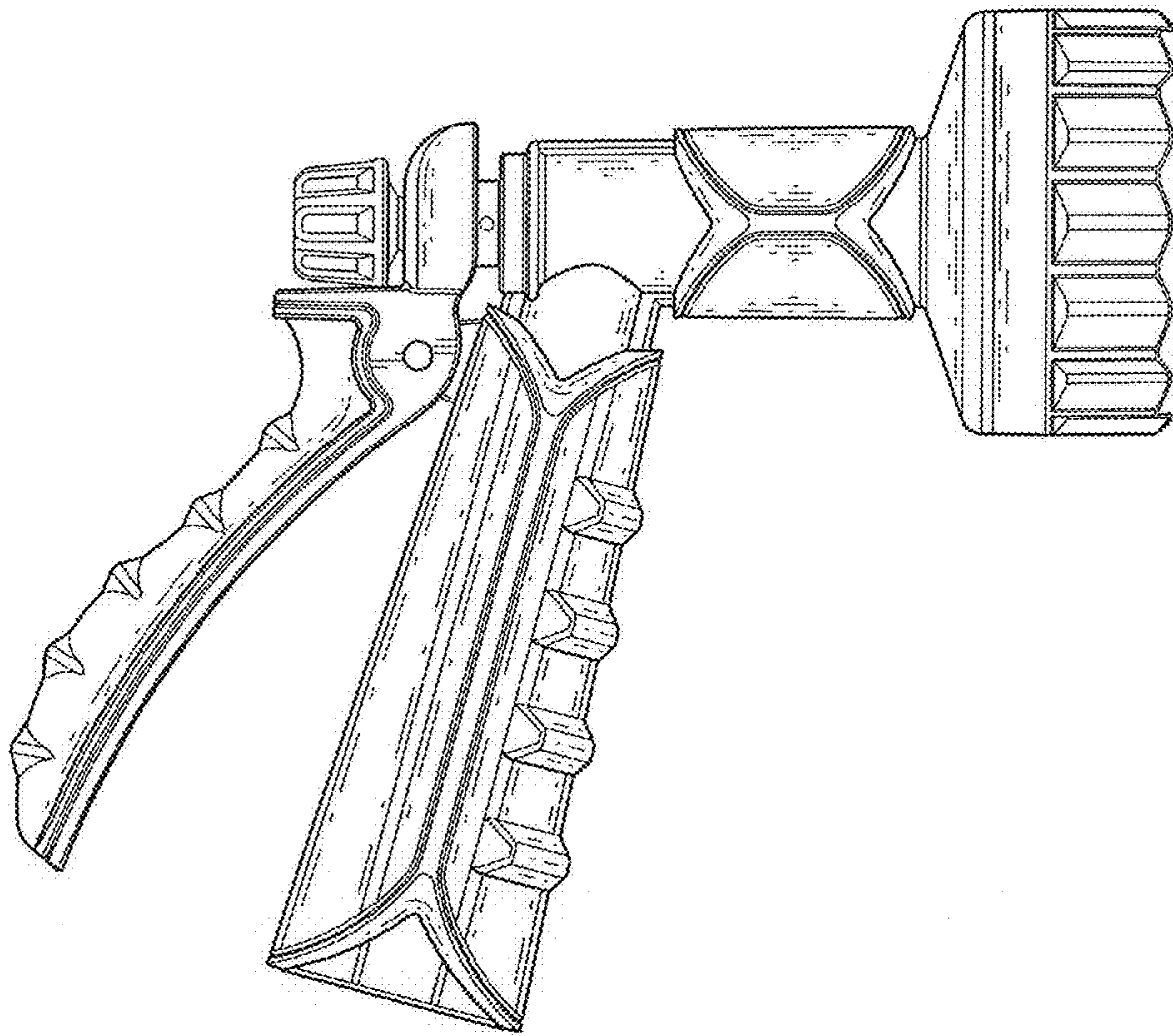


FIG.4

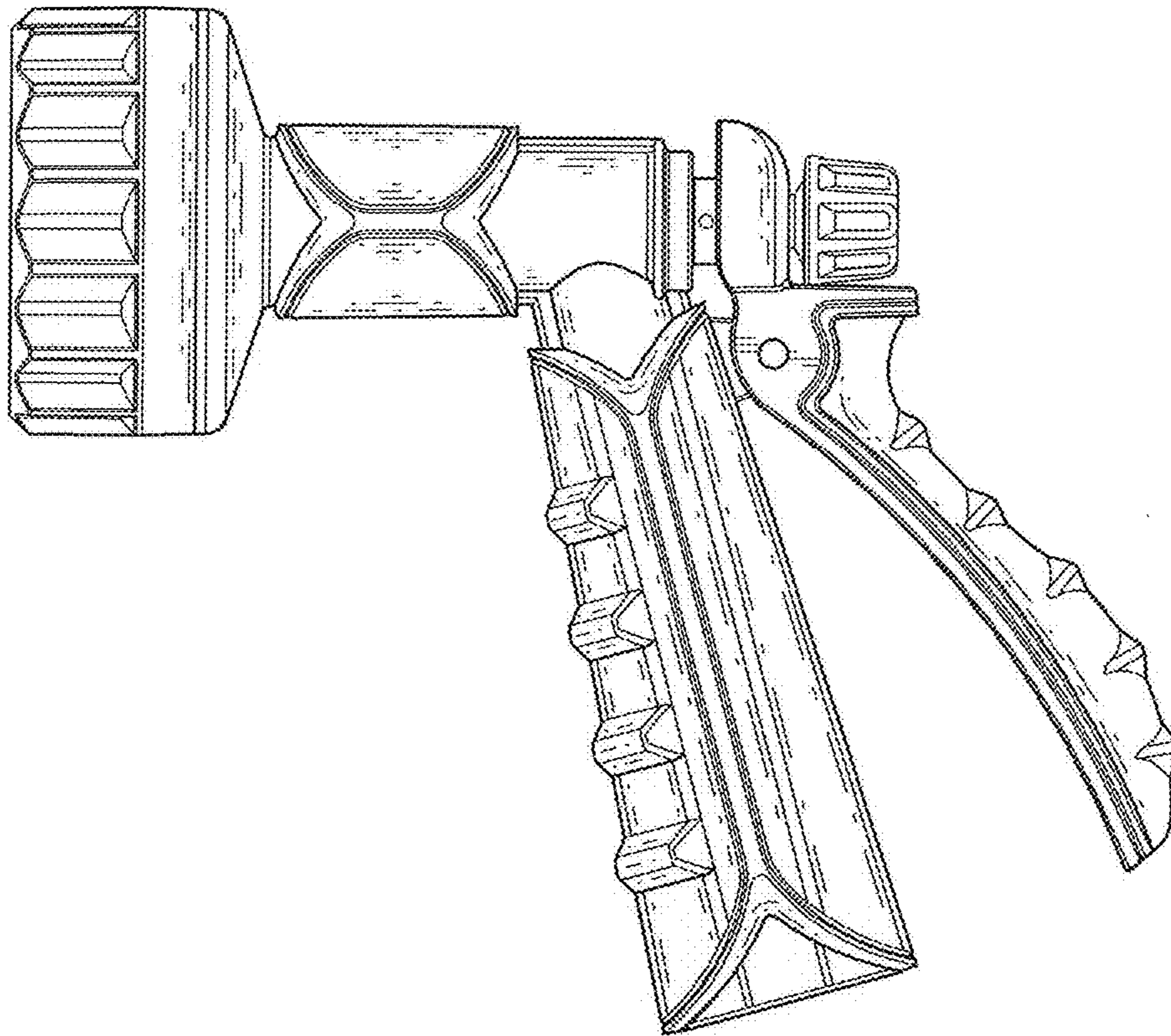


FIG.5

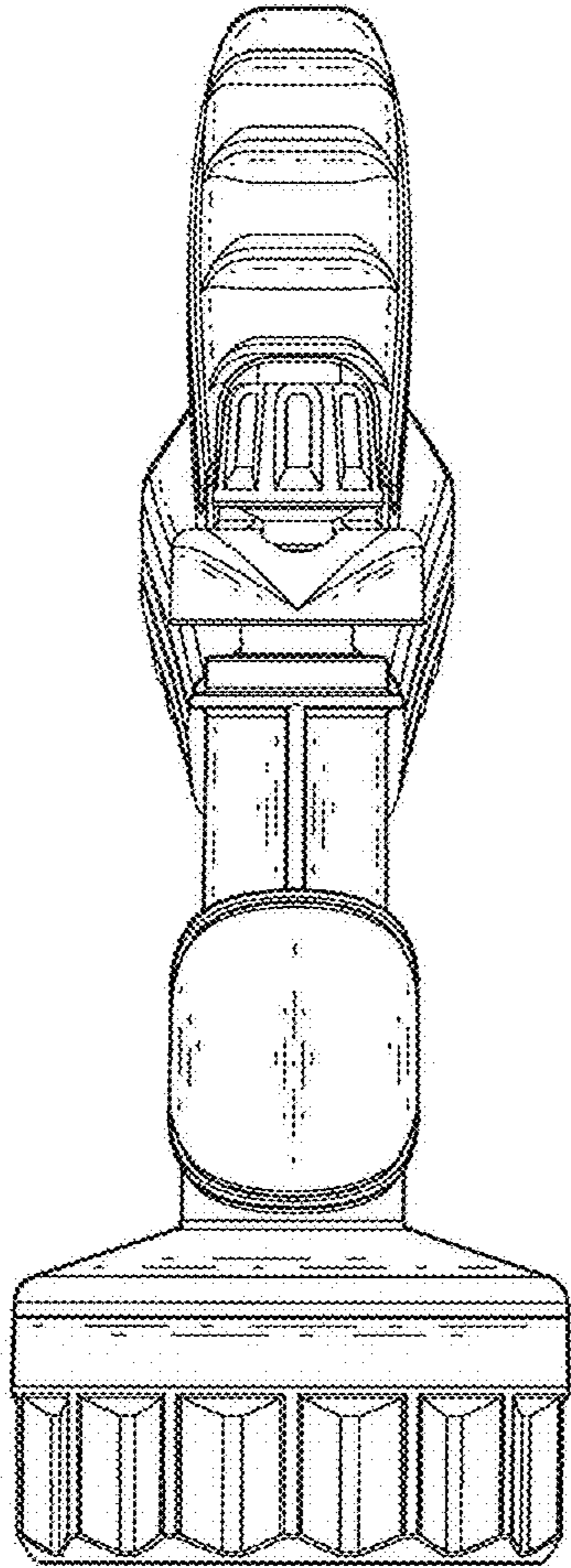


FIG. 6

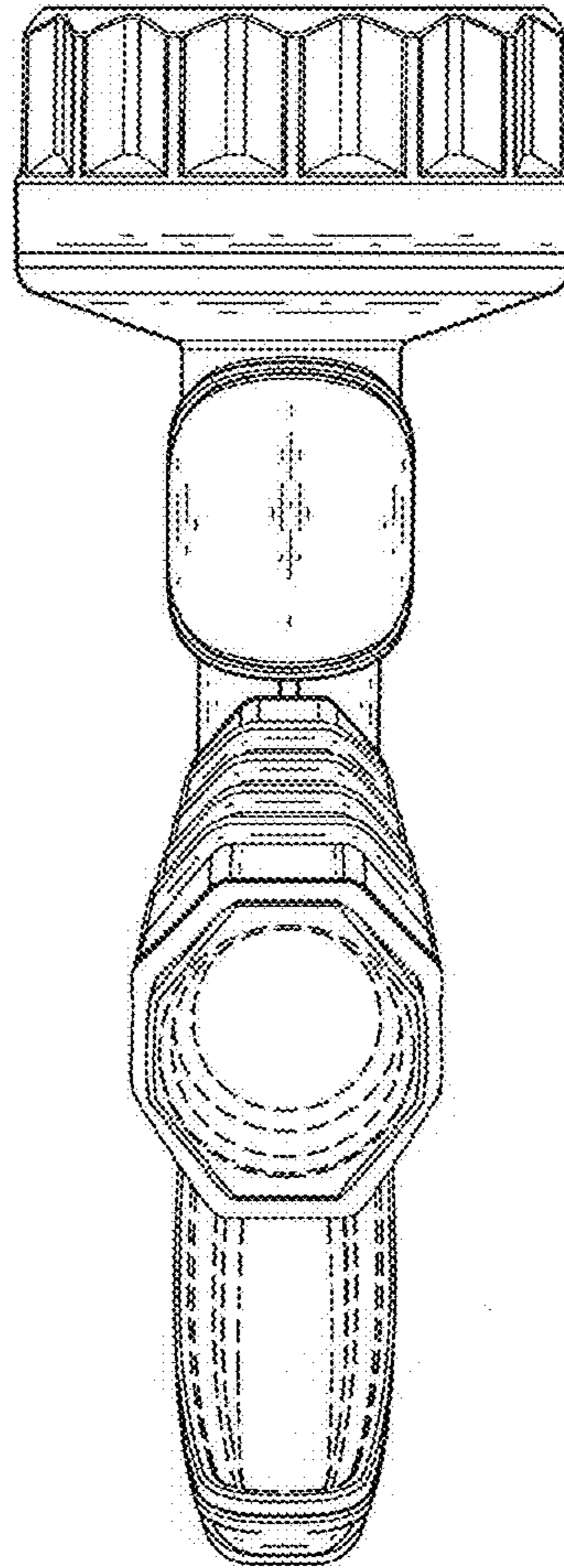


FIG. 7

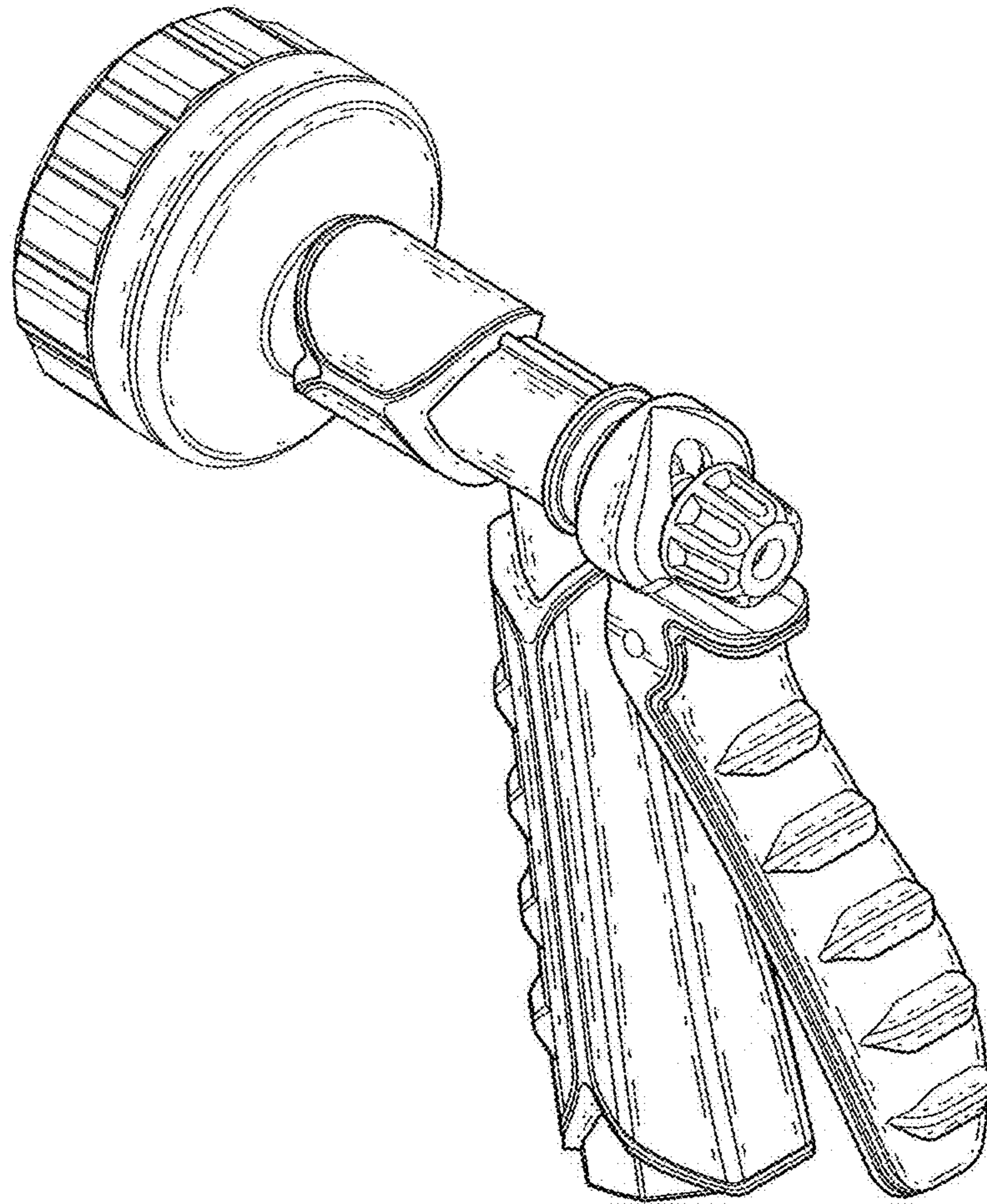


FIG.8