



US00D929539S

(12) **United States Design Patent** (10) **Patent No.:** **US D929,539 S**
Stech et al. (45) **Date of Patent:** **** Aug. 31, 2021**

(54) **ELECTROSTATIC SPRAY GUN**

(71) Applicant: **Graco Minnesota Inc.**, Minneapolis, MN (US)

(72) Inventors: **Amelia J. Stech**, St. Paul, MN (US);
Elisa J. McCline, Elk River, MN (US);
Mark E. Ulrich, Oak Grove, MN (US);
Mark C. Richter, River Falls, WI (US)

(73) Assignee: **Graco Minnesota Inc.**, Minneapolis, MN (US)

(**) Term: **15 Years**

(21) Appl. No.: **29/693,197**

(22) Filed: **May 31, 2019**

(51) **LOC (13) Cl.** **23-01**

(52) **U.S. Cl.**
USPC **D23/226**

(58) **Field of Classification Search**
USPC D23/213, 214, 215, 223, 224, 226, 229,
D23/230

(Continued)

(56) **References Cited**

U.S. PATENT DOCUMENTS

D313,064 S 12/1990 Lind et al.
D350,387 S 9/1994 Feitel et al.

(Continued)

FOREIGN PATENT DOCUMENTS

CN 3386125 8/2004
CN 303427785 S 11/2015

(Continued)

OTHER PUBLICATIONS

<https://www.ebay.com/itm/NEW-GRACO-PRO-XP-85AA-AUTO-ELECTROSTATIC-SPRAY-GUN-/324069836086> (Year: 2020).*

(Continued)

Primary Examiner — Jack Reickel

Assistant Examiner — Keith J Wilson

(74) *Attorney, Agent, or Firm* — Kinney & Lange, P.A.

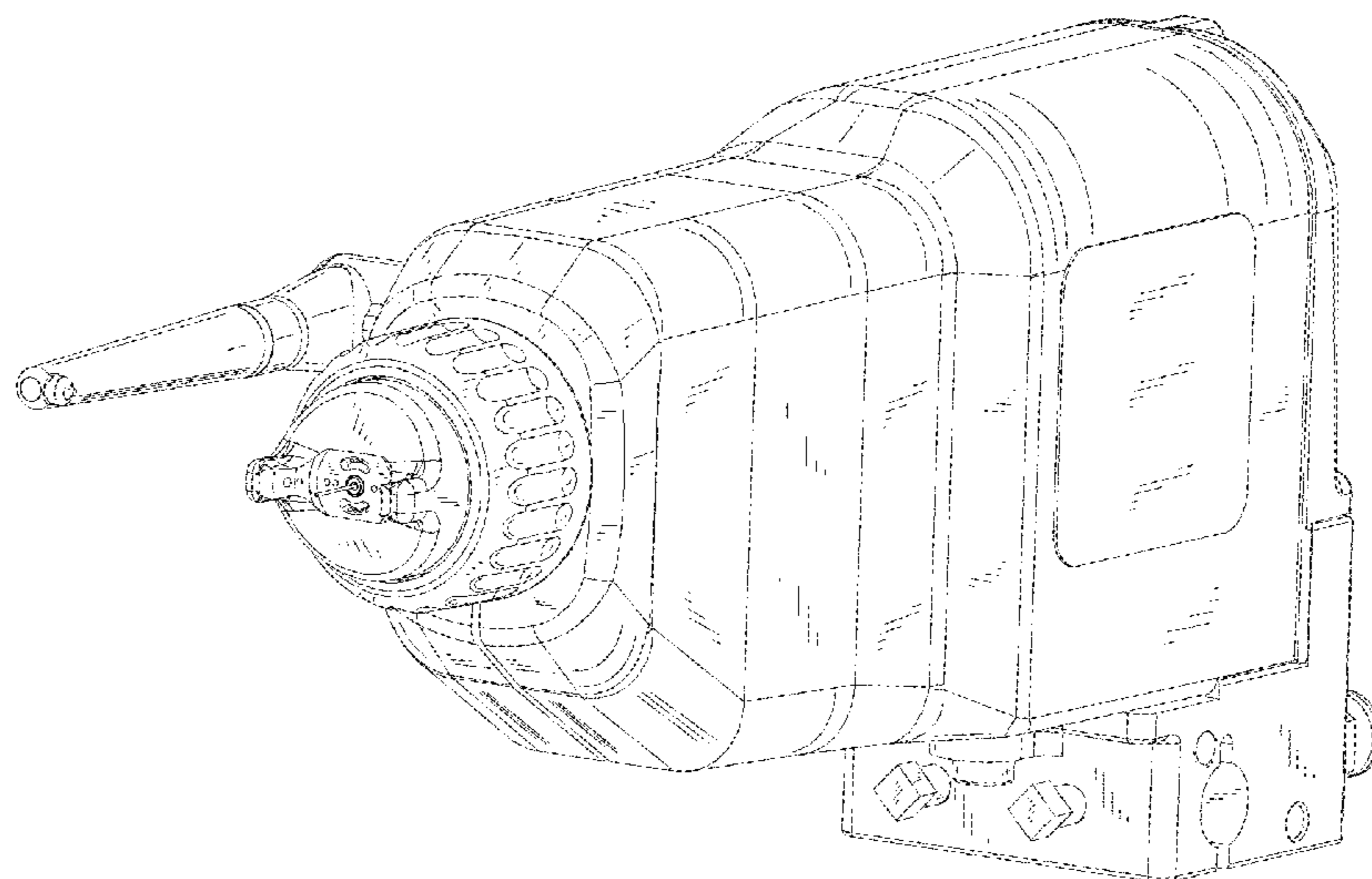
(57) **CLAIM**

The ornamental design for an electrostatic spray gun, as shown and described.

DESCRIPTION

FIG. 1 is a perspective view of a first embodiment of an electrostatic spray gun;
 FIG. 2 is a front elevational view of the first embodiment of the electrostatic spray gun;
 FIG. 3 is a rear elevational view of the first embodiment of the electrostatic spray gun;
 FIG. 4 is a right side view of the first embodiment of the electrostatic spray gun;
 FIG. 5 is a left side view of the first embodiment of the electrostatic spray gun;
 FIG. 6 is a top plan view of the first embodiment of the electrostatic spray gun;
 FIG. 7 is a bottom plan view of the first embodiment of the electrostatic spray gun;
 FIG. 8 is a perspective view of a second embodiment of an electrostatic spray gun;
 FIG. 9 is a front elevational view of the second embodiment of the electrostatic spray gun;
 FIG. 10 is a rear elevational view of the second embodiment of the electrostatic spray gun;
 FIG. 11 is a right side view of the second embodiment of the electrostatic spray gun;
 FIG. 12 is a left side view of the second embodiment of the electrostatic spray gun;
 FIG. 13 is a top plan view of the second embodiment of the electrostatic spray gun; and,
 FIG. 14 is a bottom plan view of the second embodiment of the electrostatic spray gun.
 The broken lines shown represent portions of an electrostatic spray gun and form no part of the claimed design.

1 Claim, 14 Drawing Sheets



(58) **Field of Classification Search**

CPC A61H 9/0021; A61H 33/00; B05B 1/00;
 B05B 1/14; B05B 1/185; B05B 1/08;
 B05B 1/02; B05B 1/26; B05B 12/002;
 B05B 1/18; B05B 9/01

See application file for complete search history.

FOREIGN PATENT DOCUMENTS

KR 300839627 S 2/2016
 WO WO0025108 A1 5/2000

OTHER PUBLICATIONS

Join Ware Pneumatic Tool Automatic Air Paint Spray Gun With 1.2 mm Nozzle, Sep. 18, 2018. Amazon.com. May 19, 2021.URL: <https://www.amazon.com/Join-Ware-Pneumatic-Automatic-Assembly/dp/B07HG3X8G2> (Year: 2019).*

Meiji A-100 Automatic Pneumatic High Atomization Spray PaintSpraying Gun, Jul. 29, 2016, Amazon.com May 19, 2021.URL: <https://www.amazon.com/Meiji-Automatic-Pneumatic-Atomization-Spraying/dp/B06XK8MJ6X> (Year: 2020).*

First Examination Report for IN Application No. 324152-001, dated Dec. 16, 2019, pp. 2.

First Examination Report for IN Application No. 324154-001, dated Dec. 19, 2019, pp. 2.

First Examination Report for IN Application No. 324153-001, dated Dec. 18, 2019, pp. 2.

First Examination Report for IN Application No. 324155-001, dated Dec. 27, 2019, pp. 2.

First Brazilian Office Action for BR Application No. BR302019005850-2, dated Mar. 24, 2020, pp. 3.

First Japanese Office Action for JP Application No. 2019-026338, dated Mar. 18, 2020, pp. 3.

First Japanese Office Action for JP Application No. 2019-026340, dated Mar. 18, 2020, pp. 3.

First Japanese Office Action for JP Application No. 2019-026341, dated Mar. 18, 2020, pp. 3.

First Japanese Office Action for JP Application No. 2019-026345, dated Mar. 18, 2020, pp. 3.

https://www.amazon.com/Graco-287926-Assisted-Paint-Spary/dp/B01JB560BW/ref=sr_1_151?dchild=1&keywords=graco+paint+spray+gun&qid=1586801533&sr=8-151 (Year:2020).

First Japanese Office Action for JP Application No. 2019-026341, dated Jul. 15, 2020, pp. 4.

First Japanese Office Action for JP Application No. 2019-026345, dated Jul. 15, 2020, pp. 4.

Second ROC (Taiwan) Patent Application No. 108307240, Dated Aug. 21, 2020, pp. 6.

First ROC (Taiwan) Office Action for TW Application No. 108307240, dated May 14, 2020, pp. 3.

ROC (Taiwan) Design Patent Application Search Report for TW Application No. 109304511, dated Mar. 25, 2021, p. 5.

ROC (Taiwan) Design Patent Application Search Report for TW Application No. 109304510, dated Mar. 25, 2021, p. 5.

ROC (Taiwan) Design Patent Application Search Report for TW Application No. 109304517, dated Mar. 25, 2021, p. 5.

* cited by examiner

(56) **References Cited**

U.S. PATENT DOCUMENTS

D405,503	S	*	2/1999	Endo	D23/226
D441,833	S		5/2001	Haas		
D457,599	S	*	5/2002	Karwoski	D23/226
D495,400	S		8/2004	Hopper		
D537,503	S		2/2007	Huang		
D545,943	S	*	7/2007	Rodgers	D23/226
D575,374	S	*	8/2008	Huang	D23/226
D578,603	S	*	10/2008	Khaitov	D23/213
D588,231	S	*	3/2009	Pellin	D23/213
7,588,726	B1		9/2009	Mouradian et al.		
D607,086	S	*	12/2009	Kosaka	D23/226
D608,858	S		1/2010	Baltz et al.		
D672,012	S	*	12/2012	Brose	D23/226
D704,300	S	*	5/2014	Li	D23/225
D725,743	S	*	3/2015	Richter	D23/226
D727,466	S	*	4/2015	Richter	D23/226
D757,214	S	*	5/2016	Richter	D23/213
D757,216	S	*	5/2016	Gehrung	D23/225
9,433,953	B2	*	9/2016	Ghesla	B05B 5/03
D770,593	S	*	11/2016	Gehrung	D23/226
D778,405	S	*	2/2017	Wang	D23/226
D794,755	S	*	8/2017	Wang	D23/226
D800,868	S	*	10/2017	Crenshaw	D23/226
D801,477	S	*	10/2017	Mazur	D23/226
D803,353	S	*	11/2017	Negri	D23/226
D812,718	S	*	3/2018	Kosaka	D23/226
D821,545	S	*	6/2018	Gehrung	D23/226
D830,506	S	*	10/2018	Gehrung	D23/223
D831,792	S	*	10/2018	Gehrung	D23/223
D835,235	S	*	12/2018	Gehrung	D23/226
D854,123	S	*	7/2019	Becker	D23/226
D858,698	S	*	9/2019	Arino	D23/213
D861,130	S	*	9/2019	Carls	D23/226
10,835,911	B2	*	11/2020	Gehrung	B05B 12/002
10,843,211	B2	*	11/2020	Becker	B05B 12/002
2002/0178789	A1		12/2002	Sunshine et al.		
2012/0024042	A1		2/2012	Vass et al.		
2015/0017327	A1	*	1/2015	Myers	B05B 7/1209 427/207.1
2017/0131253	A1		5/2017	Gutierrez Martinez		
2017/0231212	A1	*	8/2017	Crenshaw	A01M 7/0046 239/11
2017/0248514	A1		8/2017	Pavey et al.		
2019/0299233	A1	*	10/2019	Johnston	B05B 12/002

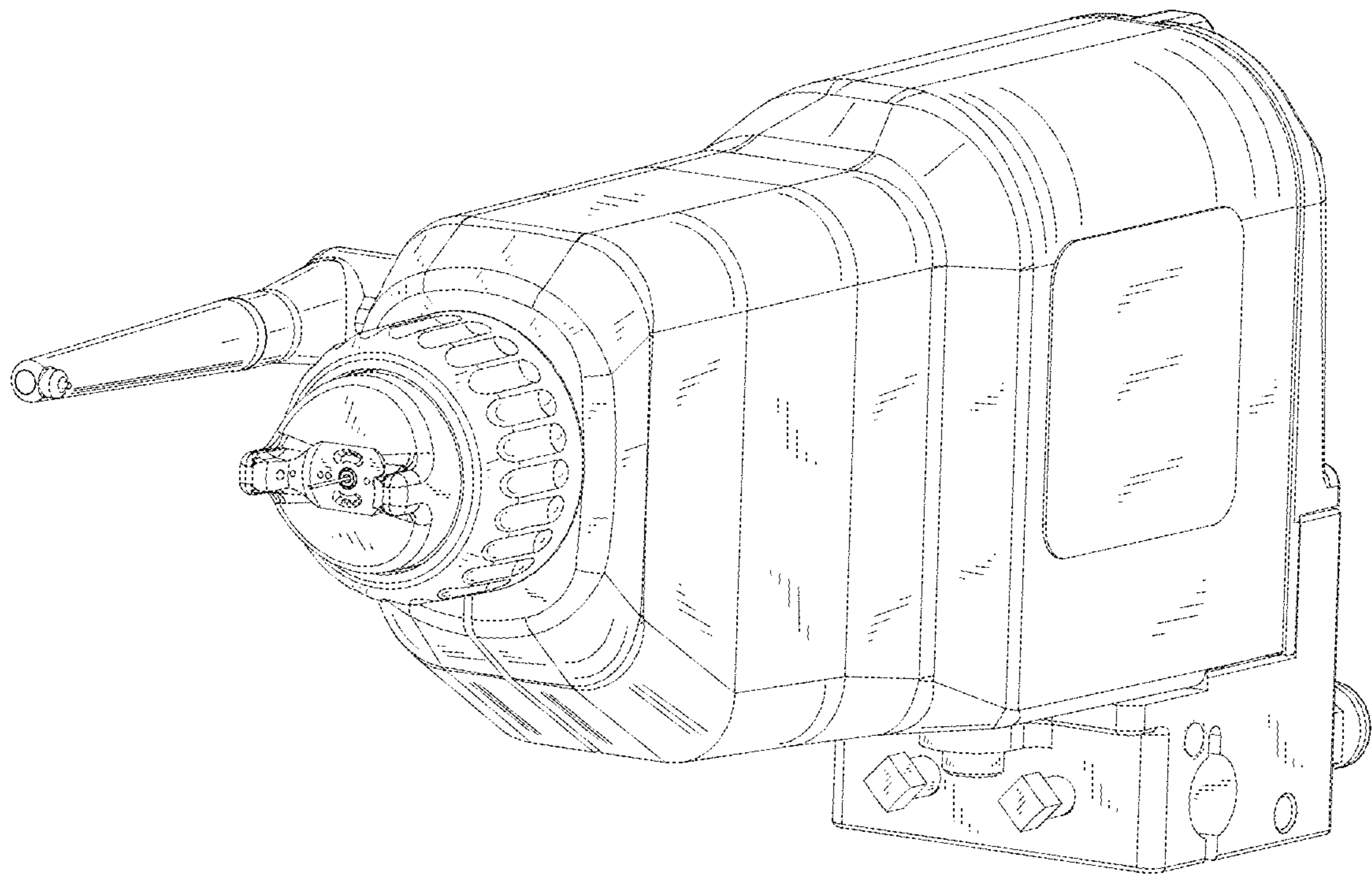


Fig. 1

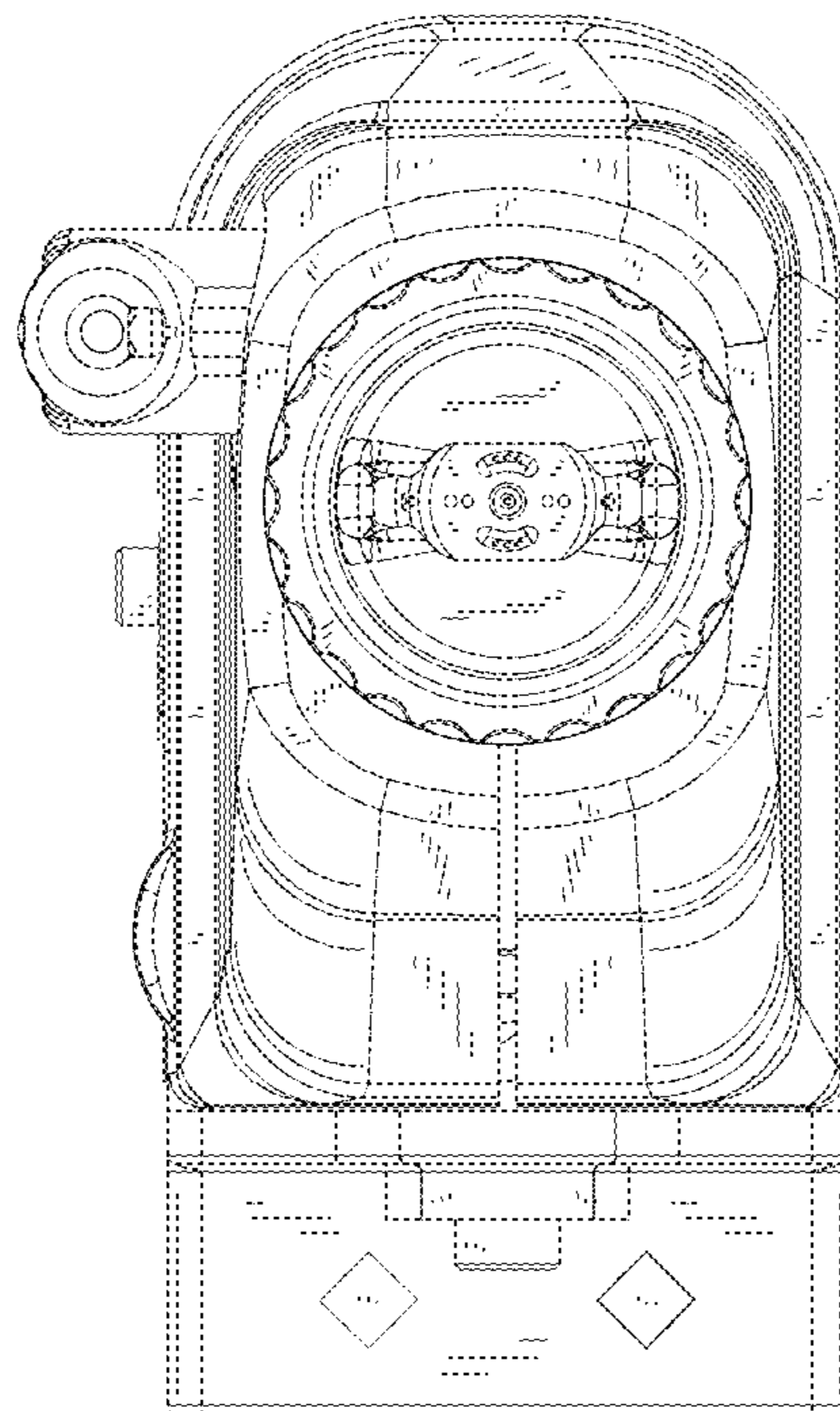


Fig. 2

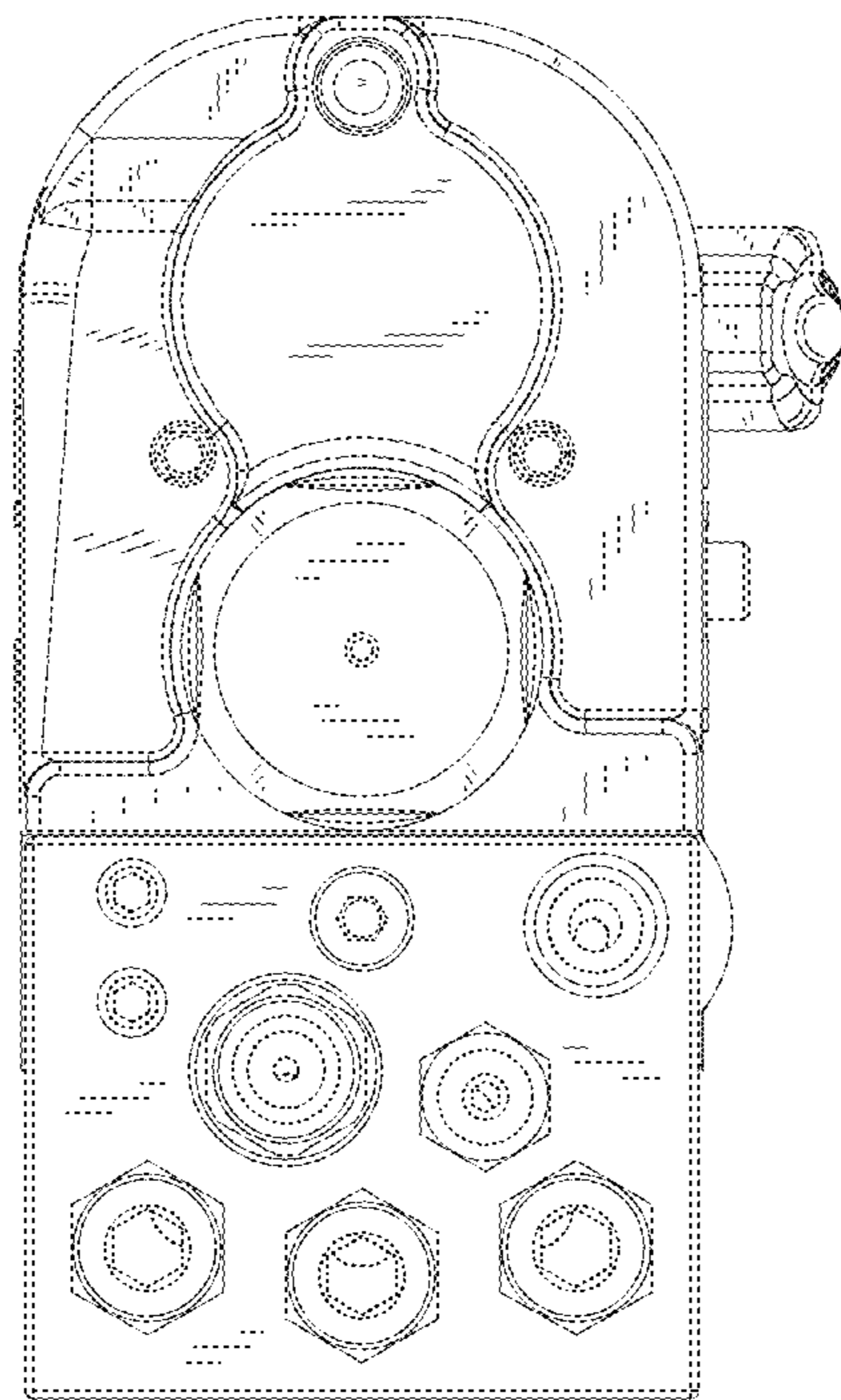


Fig. 3

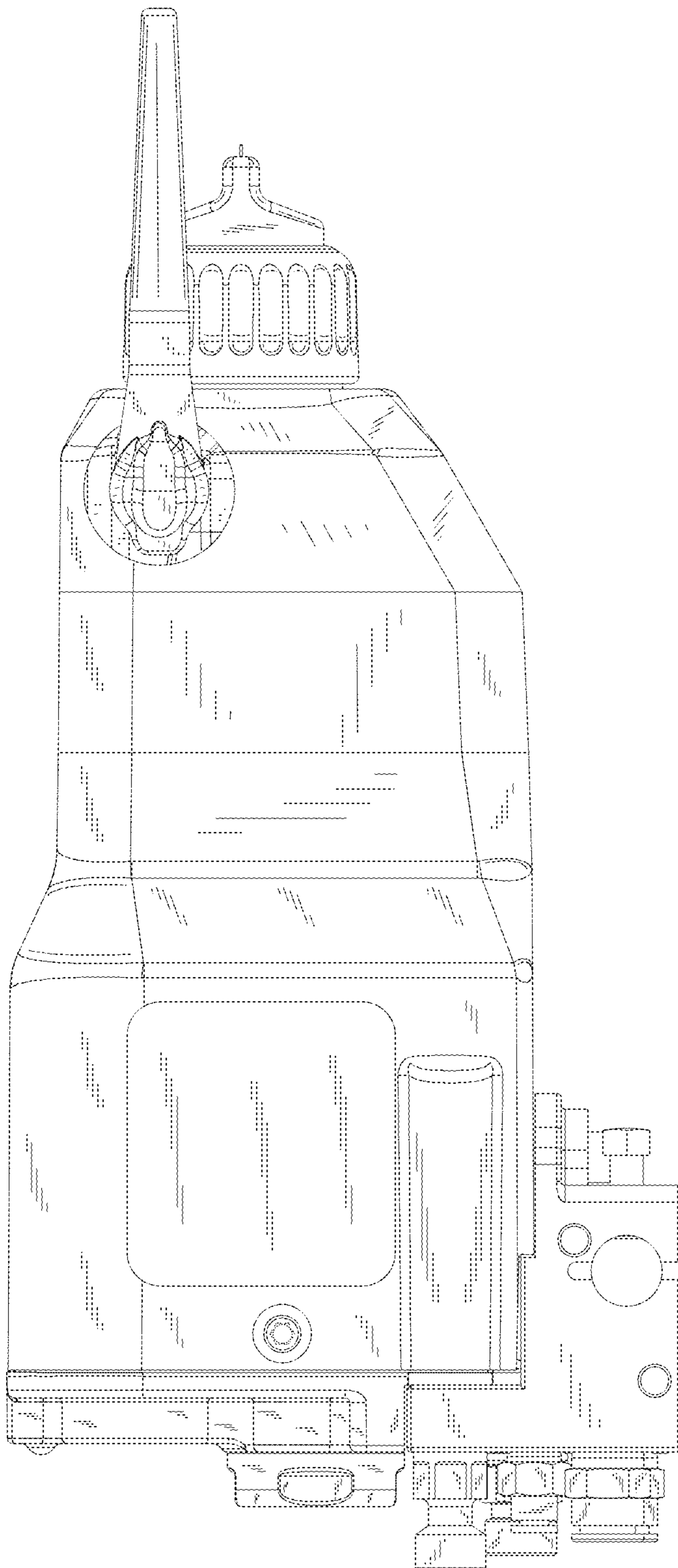


Fig. 4

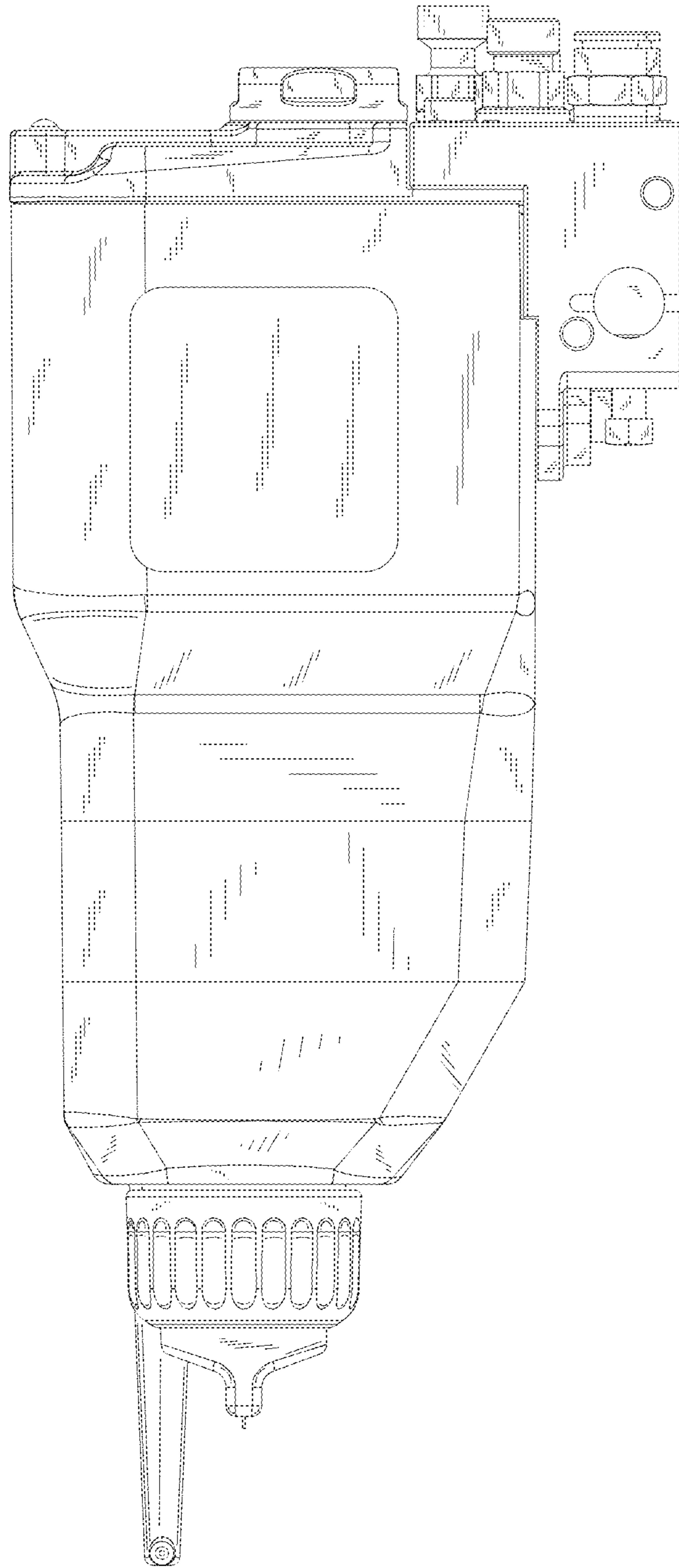


Fig. 5

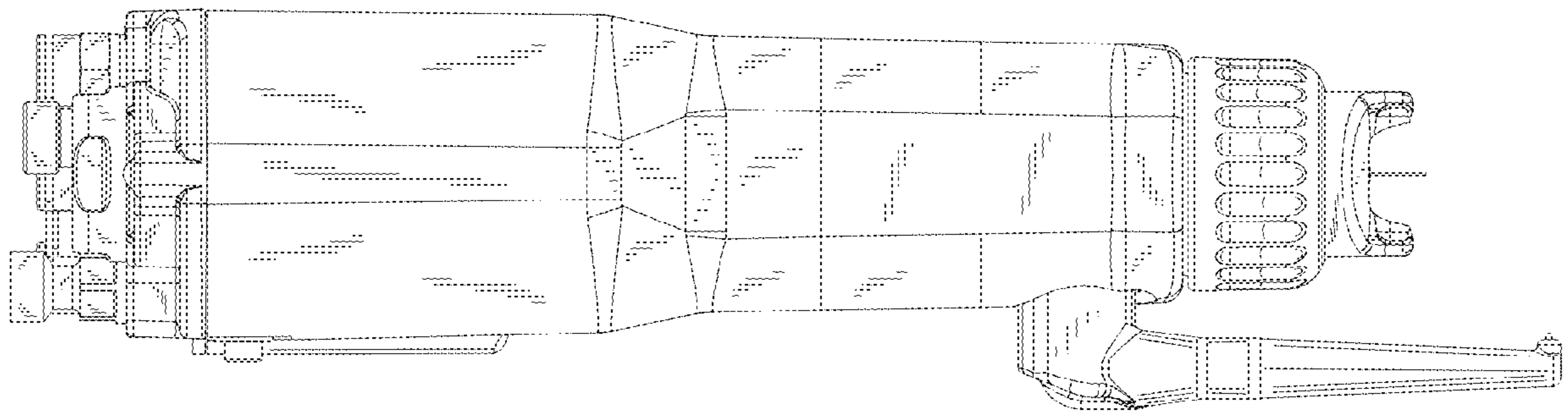


Fig. 6

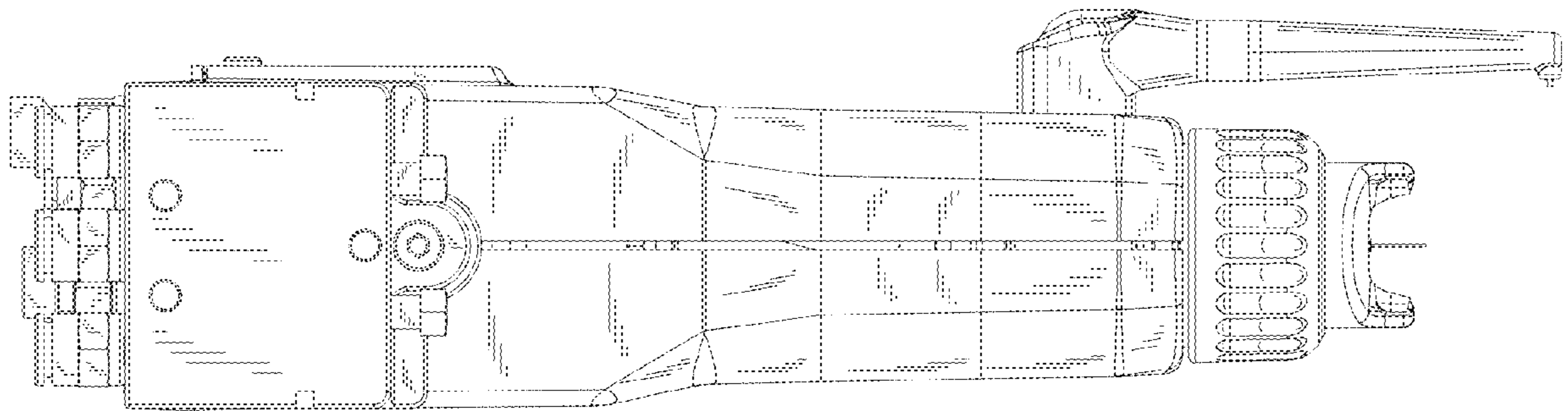


Fig. 7

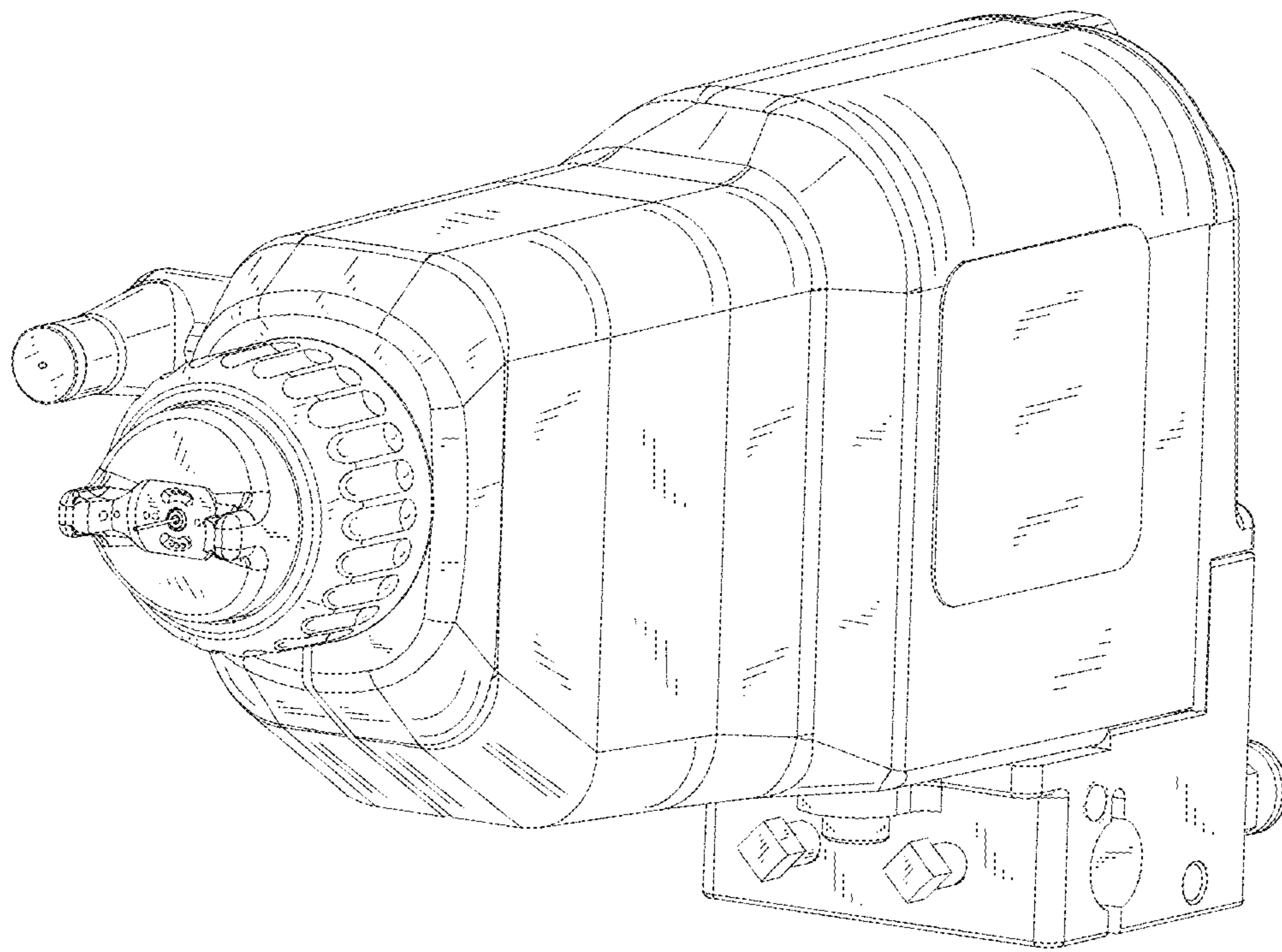


Fig. 8

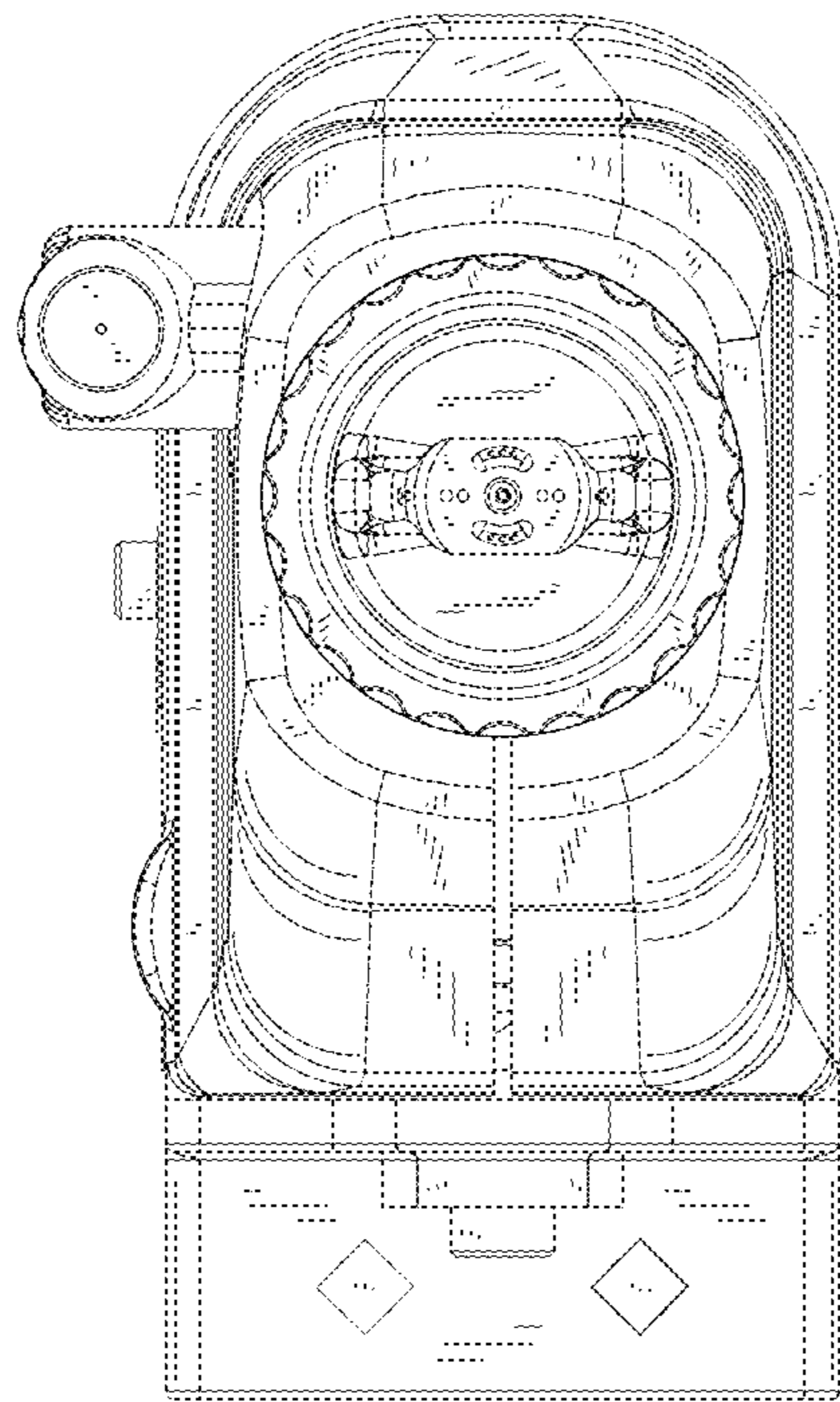


Fig. 9

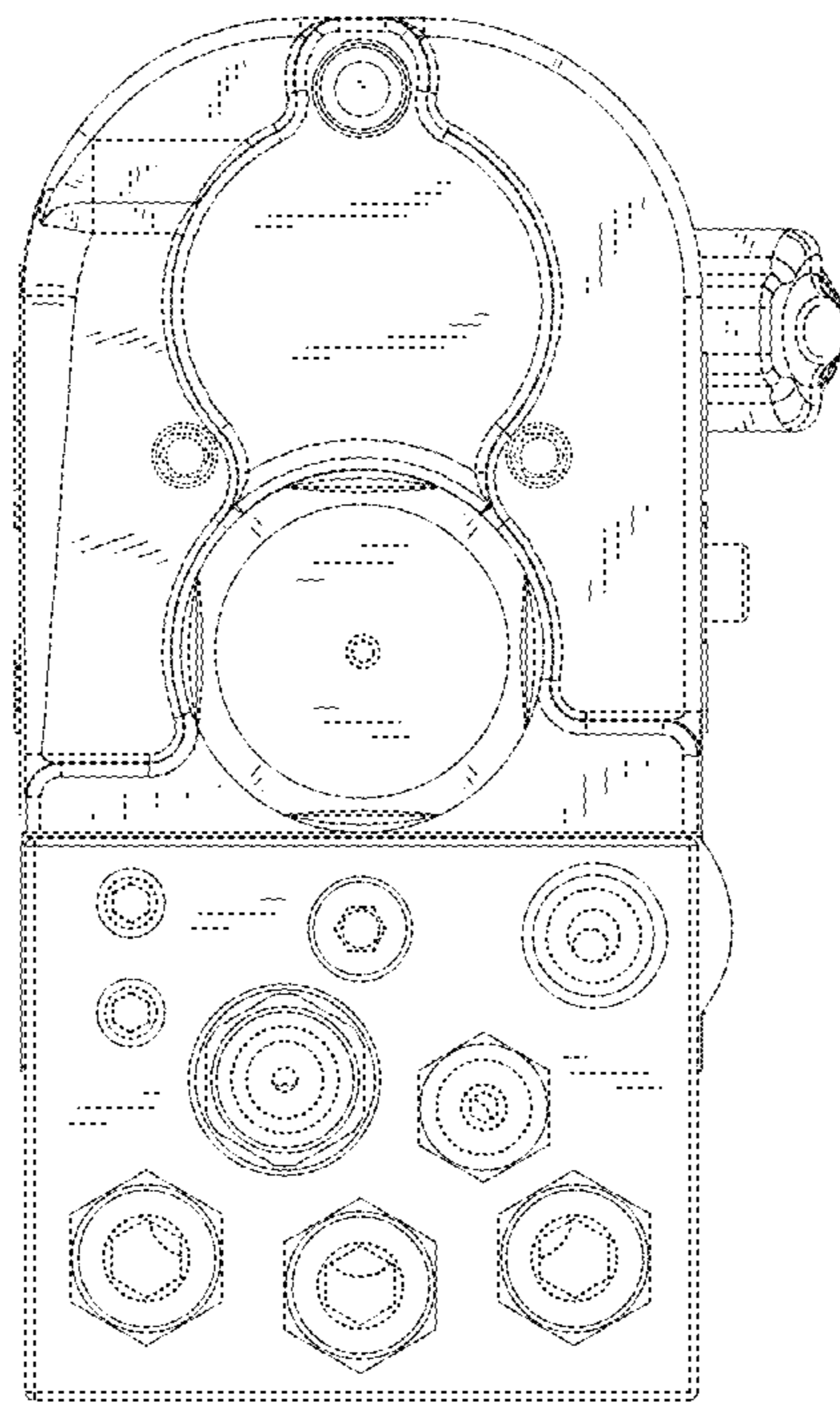


Fig. 10

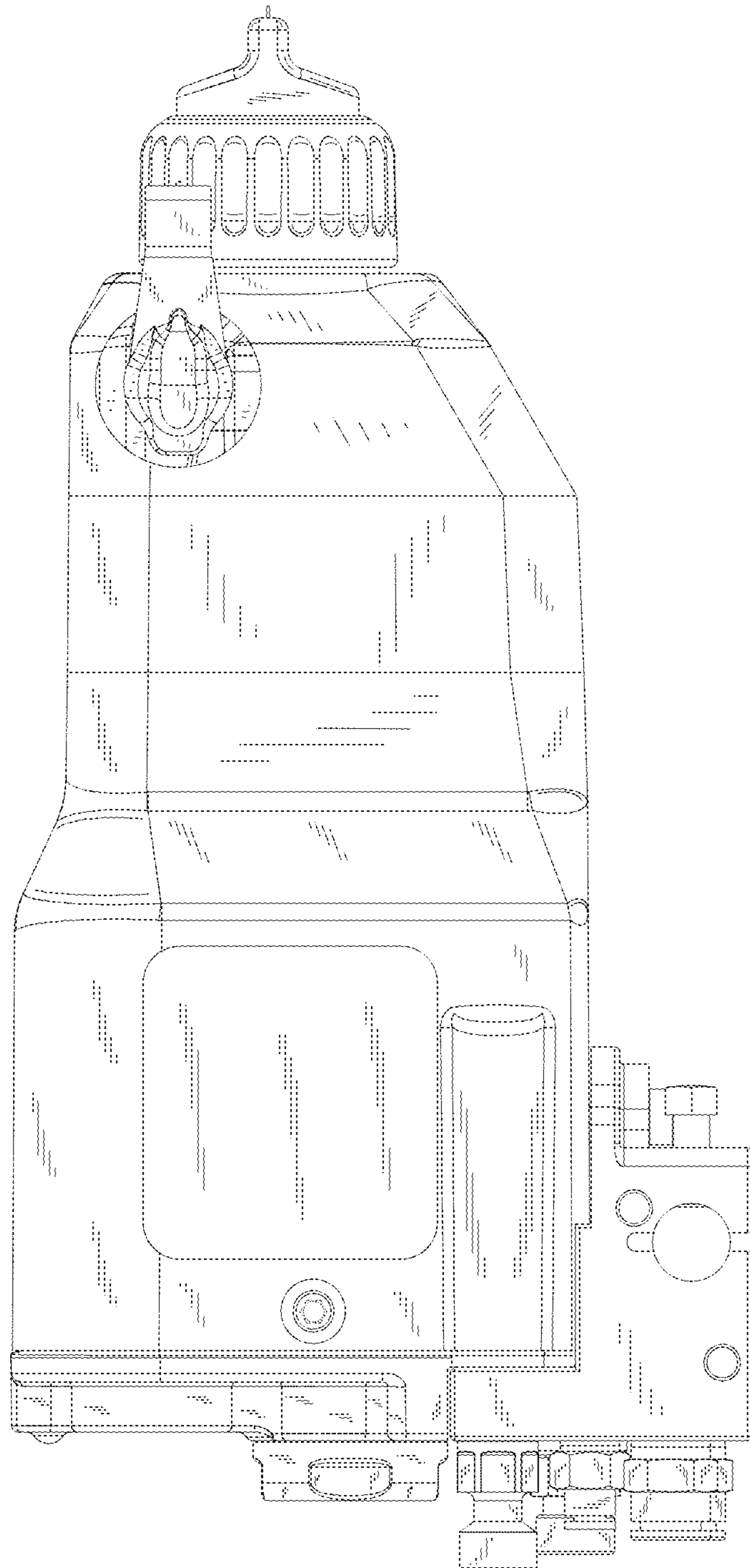


Fig. 11

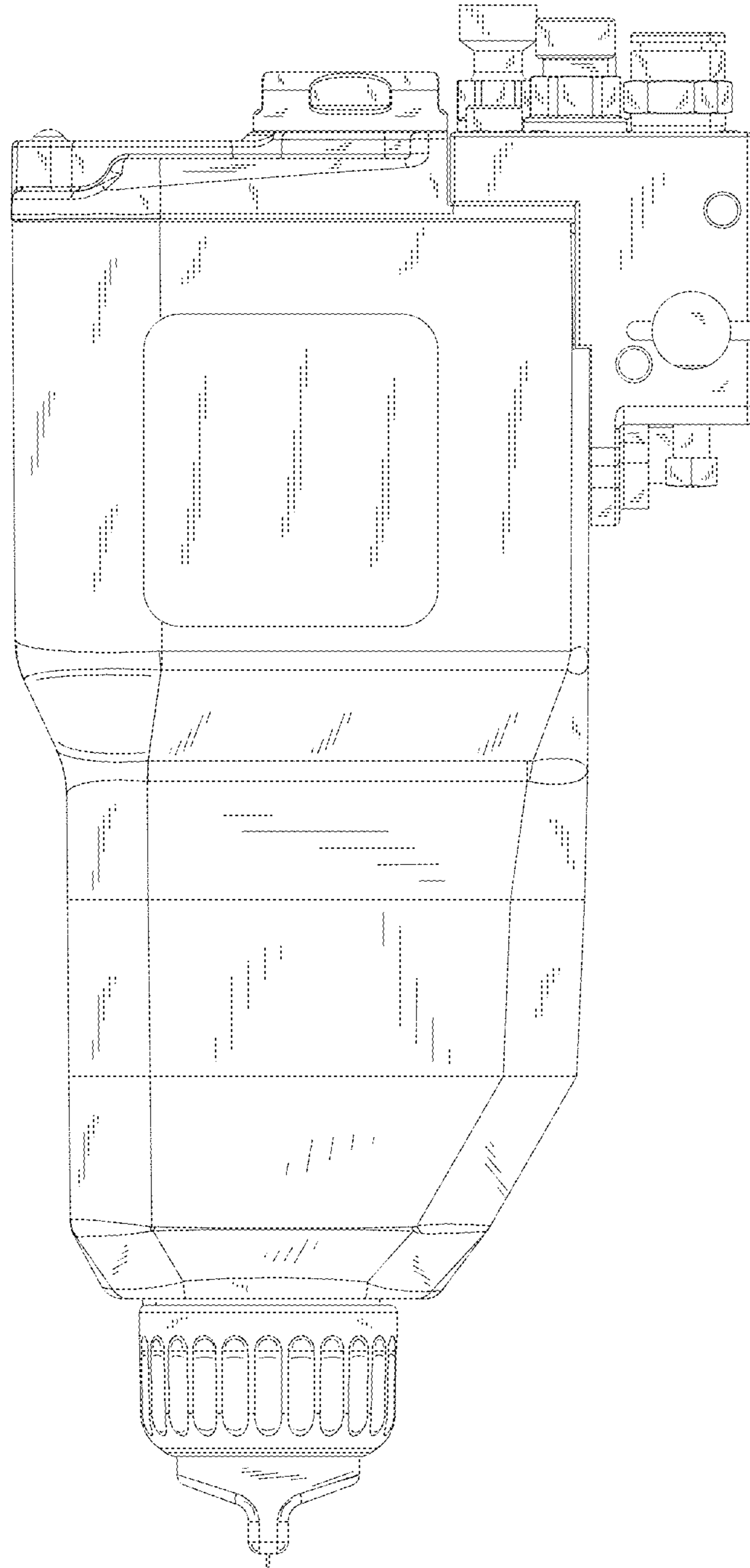


Fig. 12

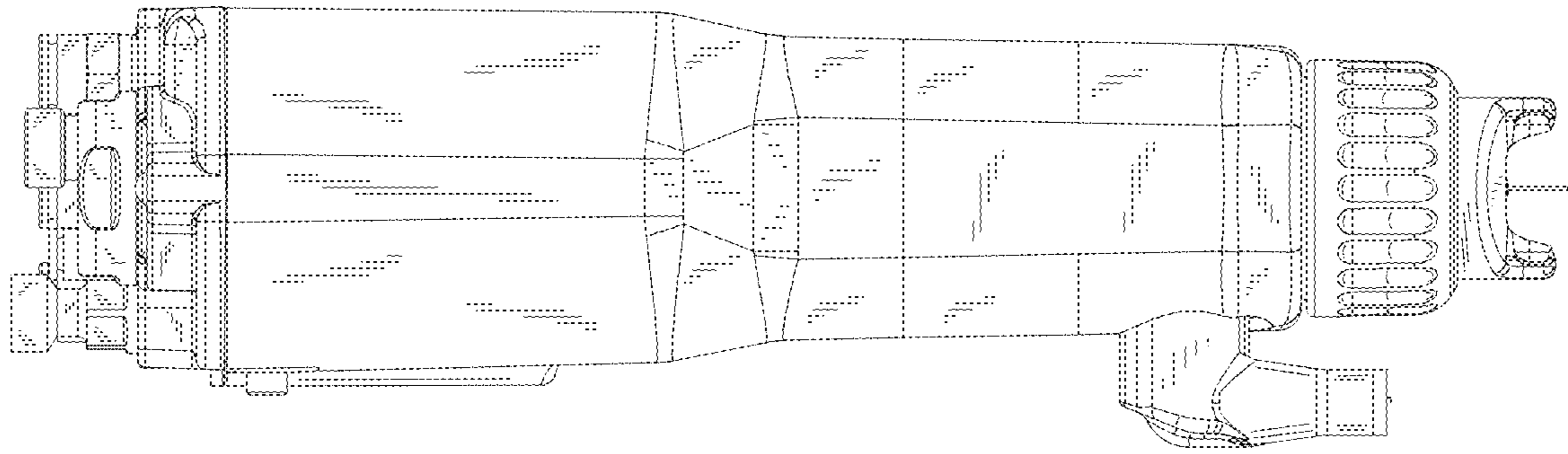


Fig. 13

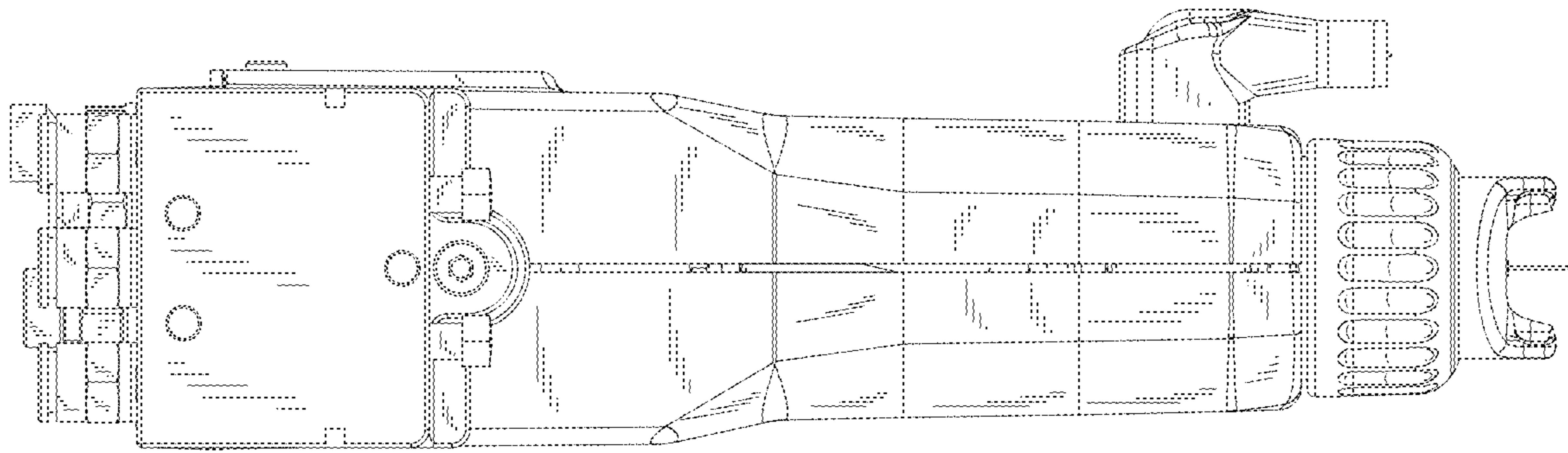


Fig. 14