



US00D929538S

(12) **United States Design Patent**
Chen

(10) **Patent No.:** **US D929,538 S**

(45) **Date of Patent:** **** Aug. 31, 2021**

(54) **GARDENING SPRAY HEAD**

(71) Applicant: **SHIN TAI SPURT WATER OF THE GARDEN TOOLS CO., LTD.,**
Chang-Hua Hsien (TW)

(72) Inventor: **Chin-Yuan Chen, Lu-Kang Town (TW)**

(73) Assignee: **SHIN TAI SPURT WATER OF THE GARDEN TOOLS CO., LTD.,**
Chang-Hua Hsien (TW)

(**) Term: **15 Years**

(21) Appl. No.: **29/713,281**

(22) Filed: **Nov. 14, 2019**

(51) **LOC (13) Cl.** **23-01**

(52) **U.S. Cl.**
USPC **D23/223**

(58) **Field of Classification Search**
USPC D23/213, 214, 215, 223, 224, 226, 229,
D23/230

CPC A61H 9/0021; A61H 33/00; B05B 1/00;
B05B 1/14; B05B 1/185; B05B 1/08;
B05B 1/02; B05B 1/26; B05B 12/002;
B05B 1/18; B05B 9/01

See application file for complete search history.

(56) **References Cited**

U.S. PATENT DOCUMENTS

D470,567 S * 2/2003 Alkalay D23/223
D471,618 S * 3/2003 Nien D23/226
D472,959 S * 4/2003 Alkalay D23/223
D799,000 S * 10/2017 Chen D23/213
D839,384 S * 1/2019 Svendsen D23/213
D870,846 S * 12/2019 Mezzalira D23/213

D876,581 S * 2/2020 Hsieh D23/213
D900,279 S * 10/2020 Cheng D23/213
D901,635 S * 11/2020 Chen D23/226
D902,350 S * 11/2020 Chen D23/226

OTHER PUBLICATIONS

Continental MN-8PB 8 Pattern Push Button Nozzle, Feb. 5, 2021.
Amazon.com May 6, 2021.URL: https://www.amazon.com/dp/B01ENC0X6Q/ref=sbl_dp_x_B07ZRCDD3Q_0 (Year: 2021).*

* cited by examiner

Primary Examiner — Jack Reickel

Assistant Examiner — Keith J Wilson

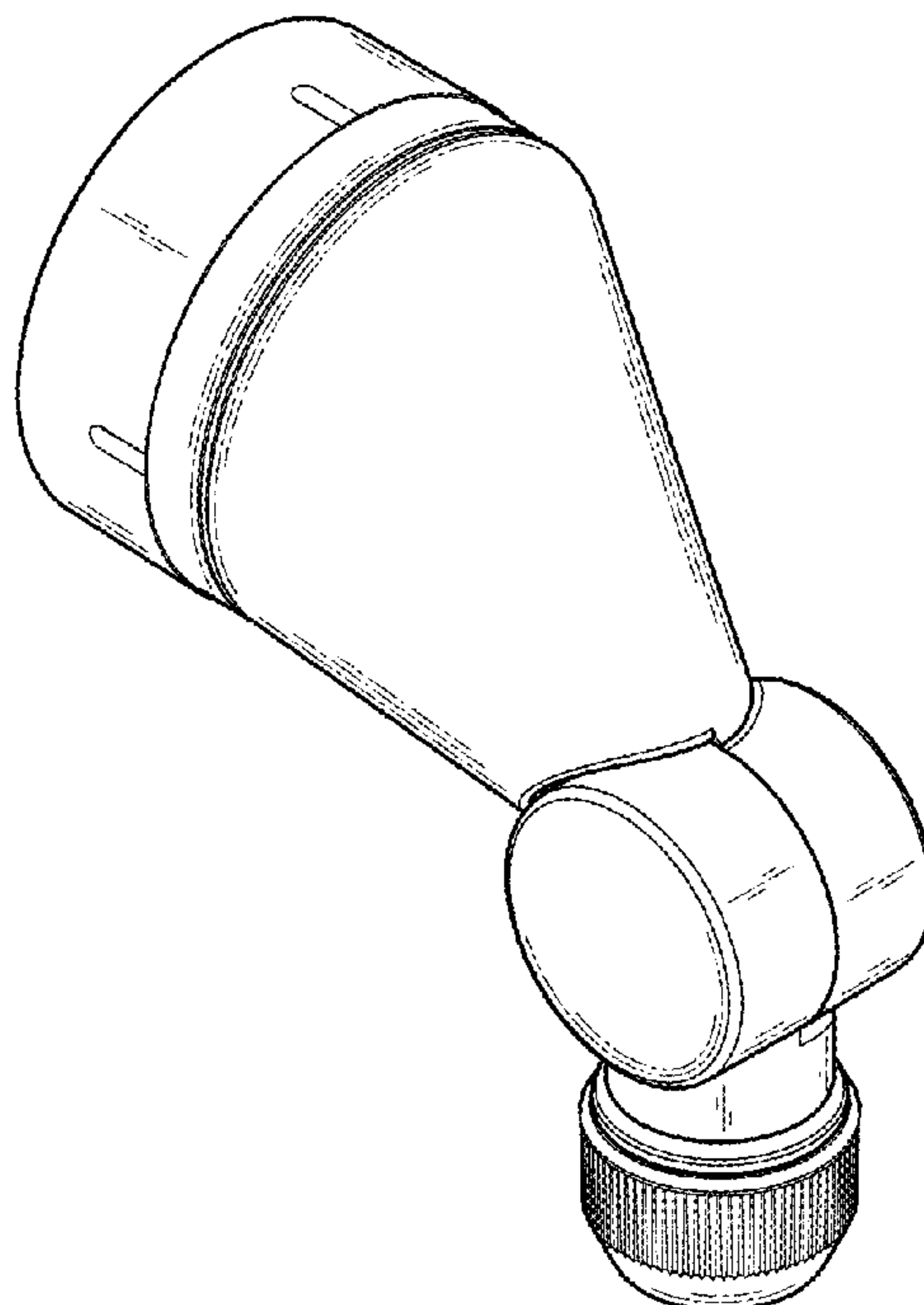
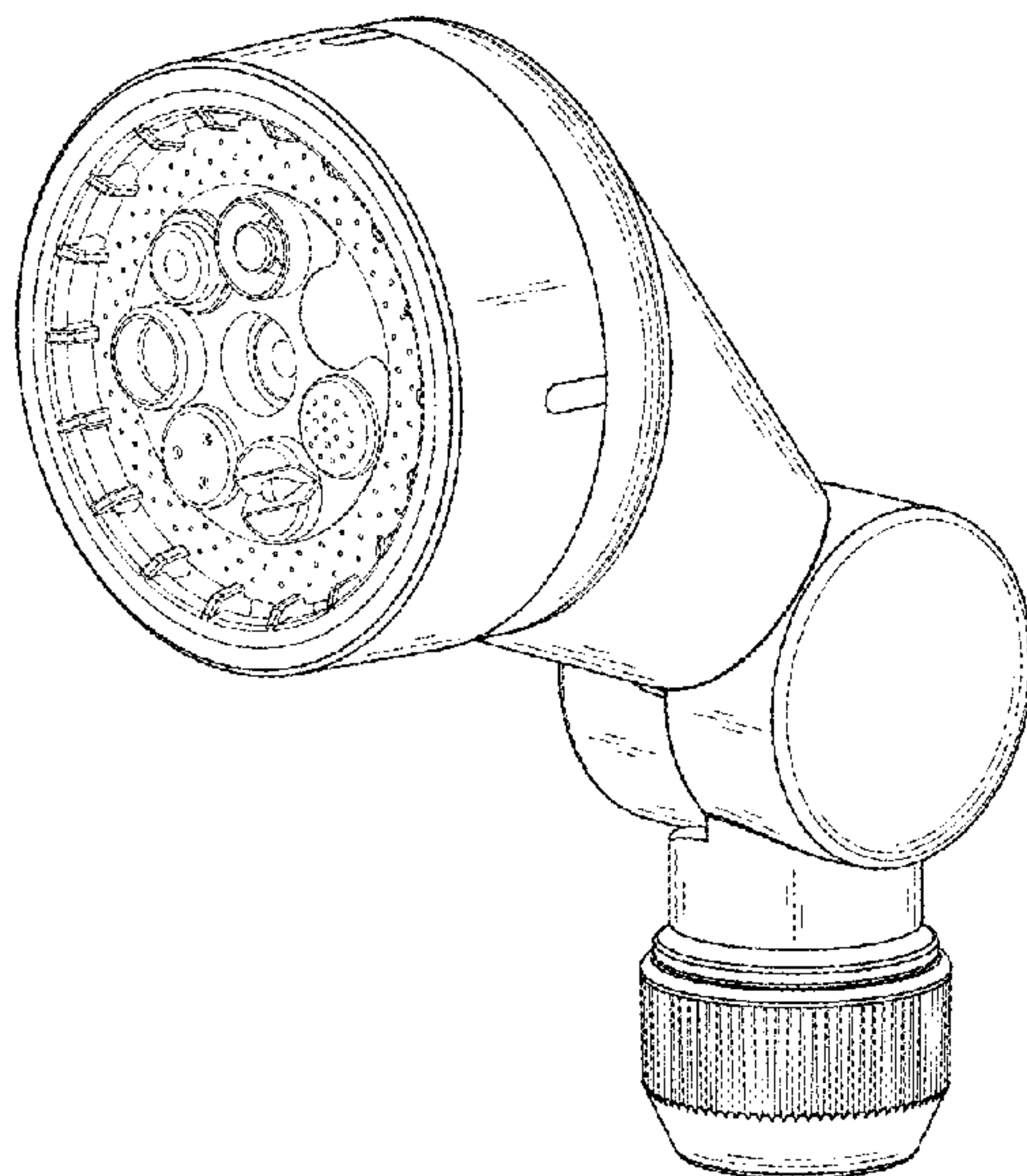
(57) **CLAIM**

The ornamental design for a gardening spray head, as shown and described.

DESCRIPTION

FIG. 1 is a perspective view of a gardening spray head showing my new design;
FIG. 2 is a front elevational view thereof;
FIG. 3 is a rear elevational view thereof;
FIG. 4 is a left side elevational view thereof;
FIG. 5 is a right side elevational view thereof;
FIG. 6 is a top plan view thereof;
FIG. 7 is a bottom plan view thereof; and,
FIG. 8 is another perspective schematic view of a gardening spray head showing my design; and,
FIG. 9 is a perspective schematic view illustrating an application of a gardening spray head showing my design. The broken lines shown represent portions of a gardening spray head and forms no part of the claimed design.

1 Claim, 6 Drawing Sheets



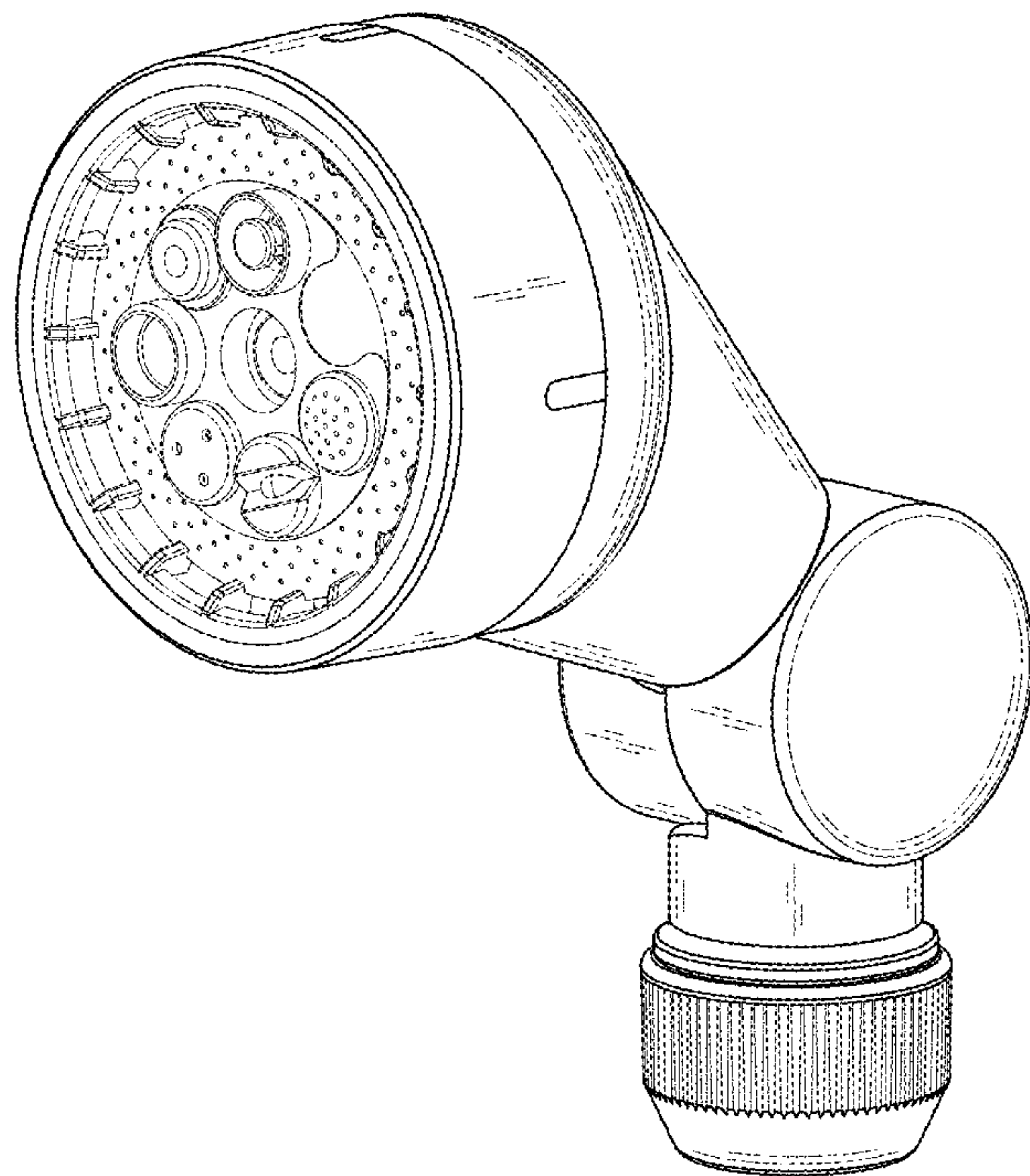


FIG.1

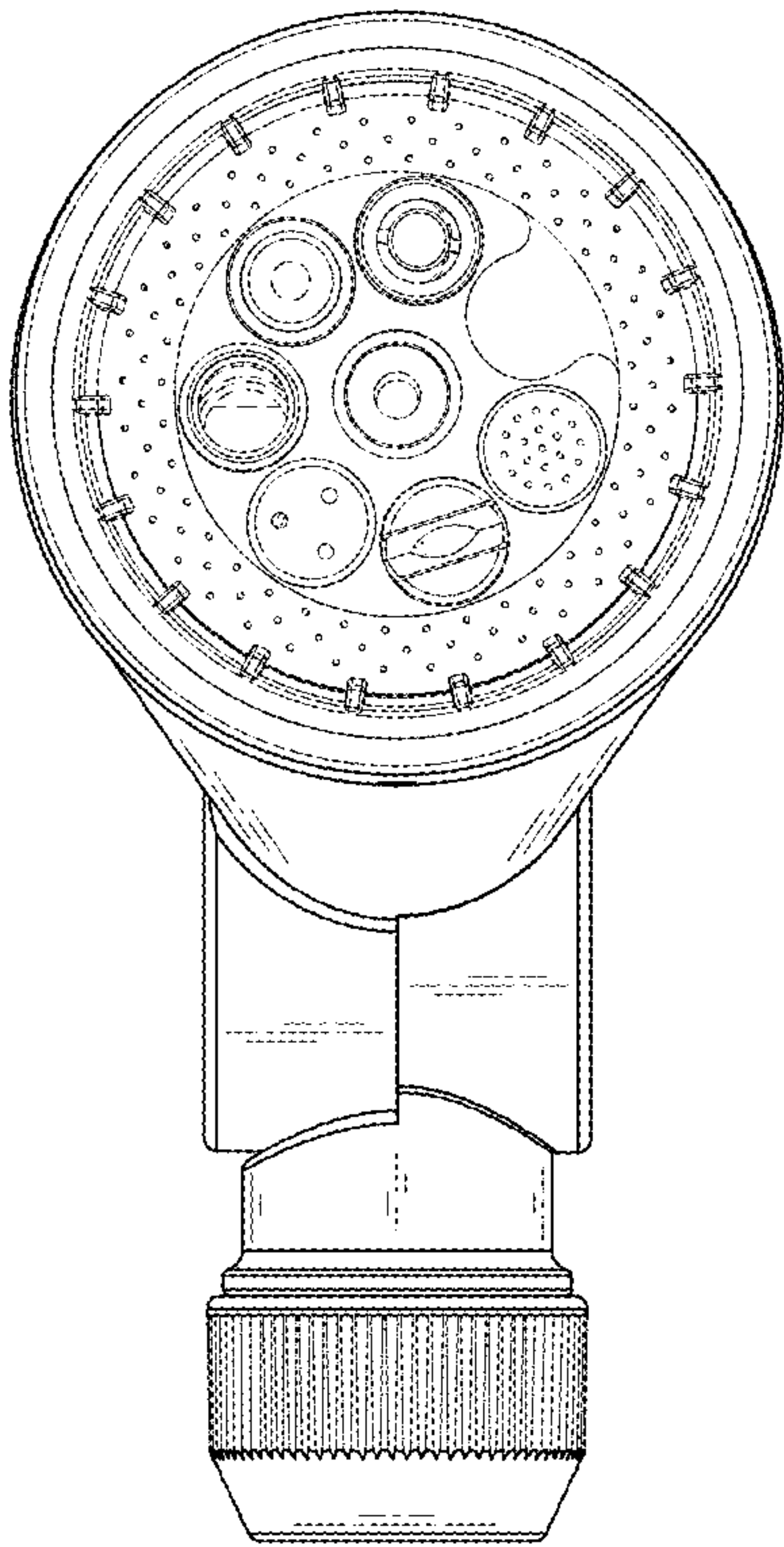


FIG.2

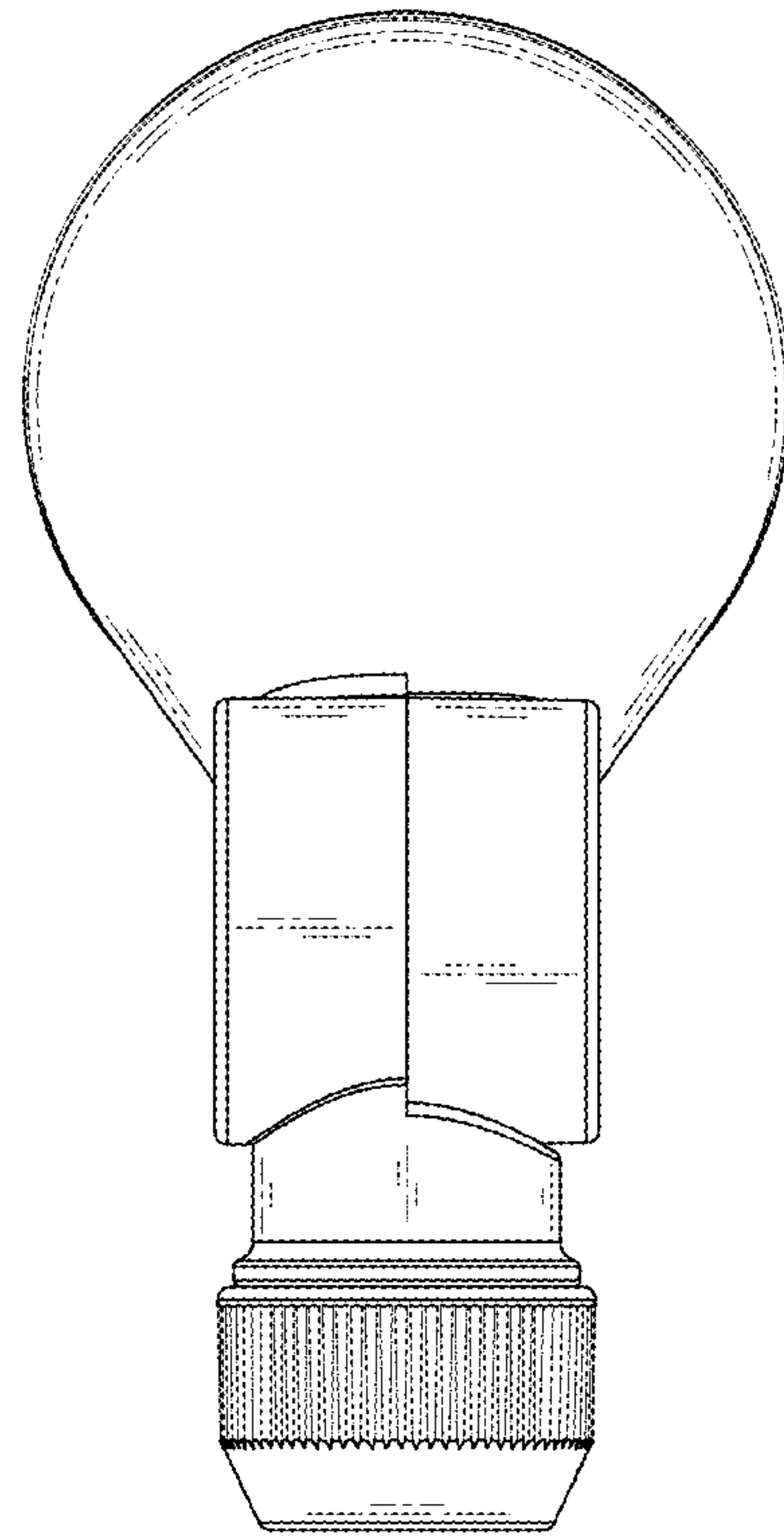


FIG.3

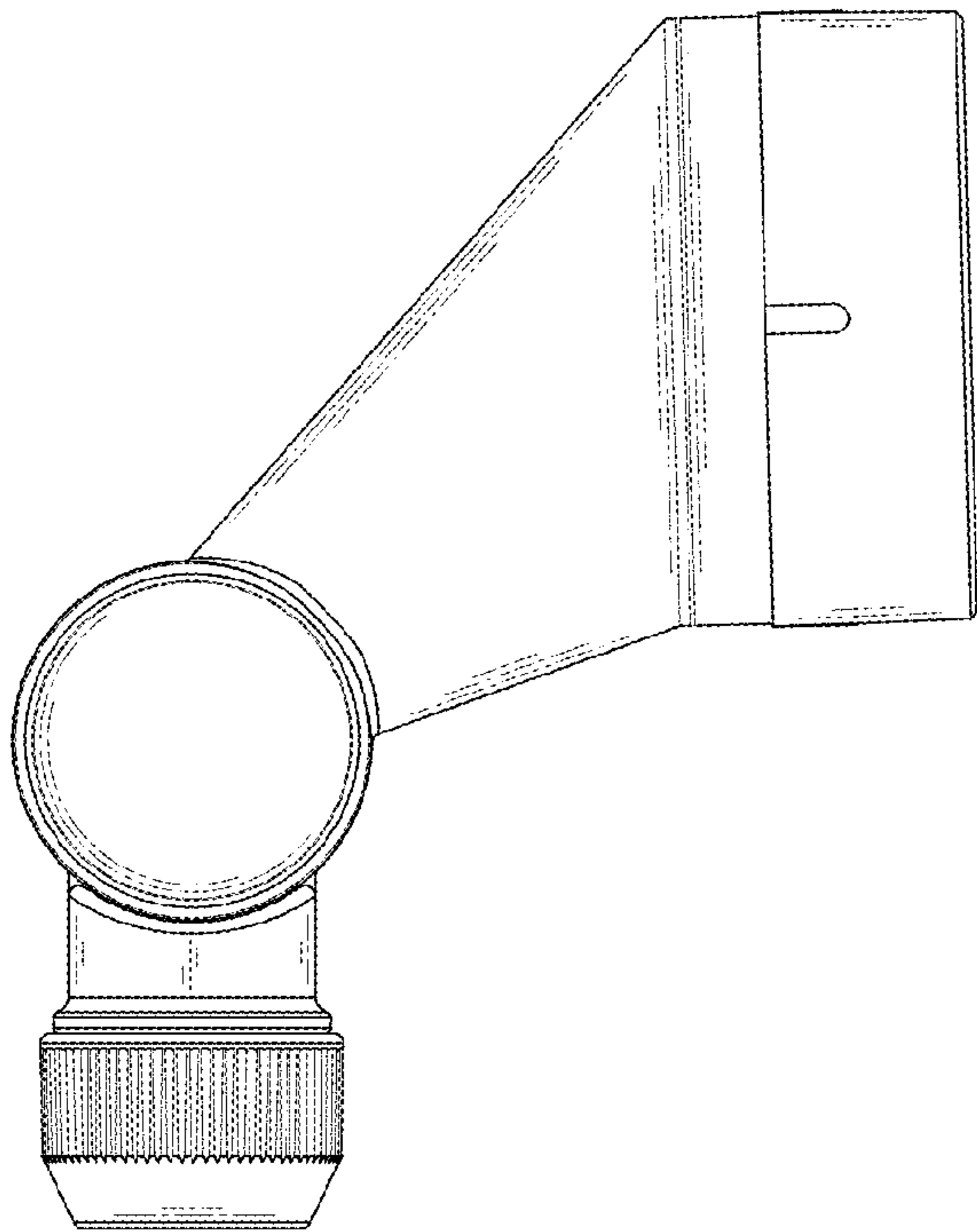


FIG.4

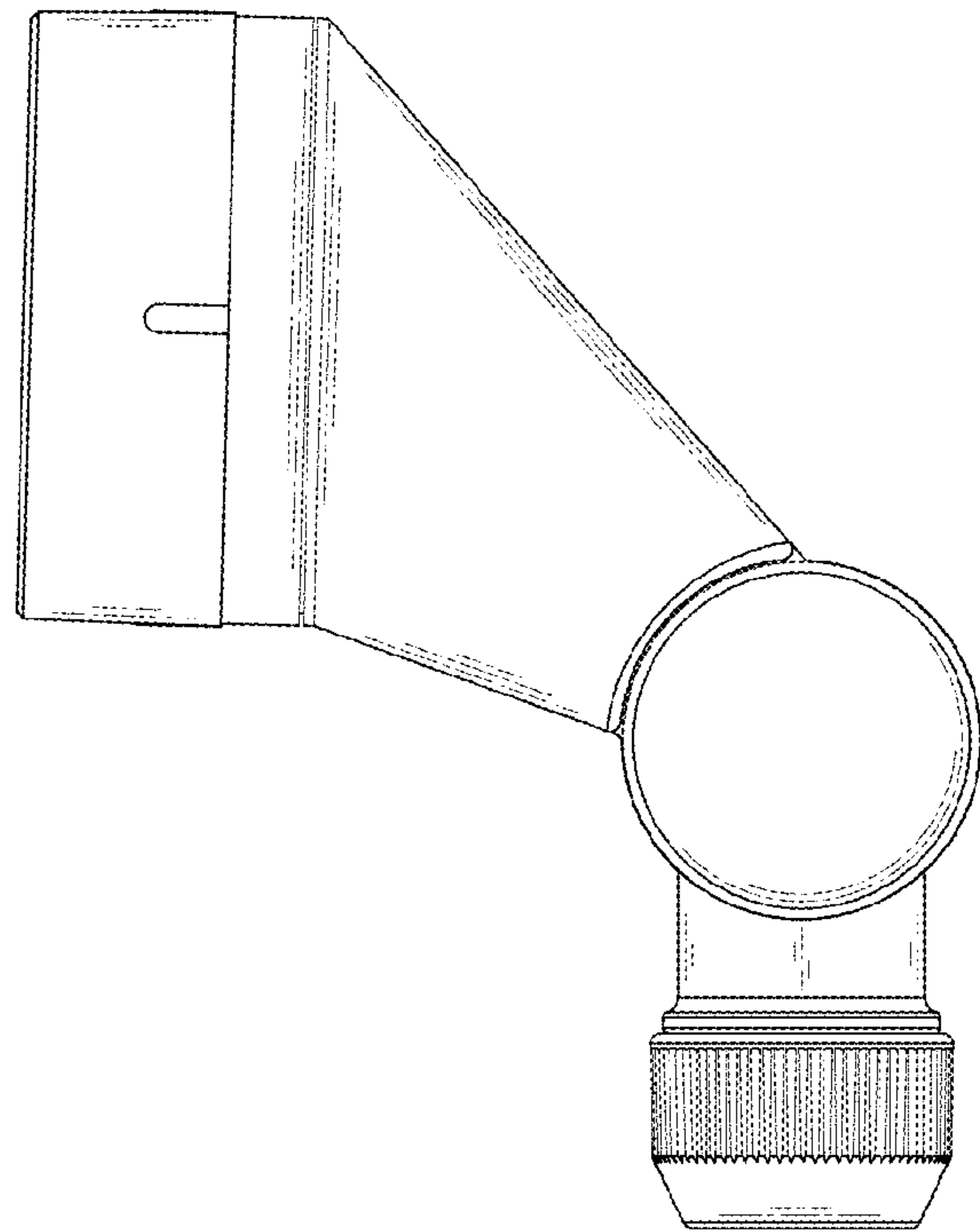


FIG.5

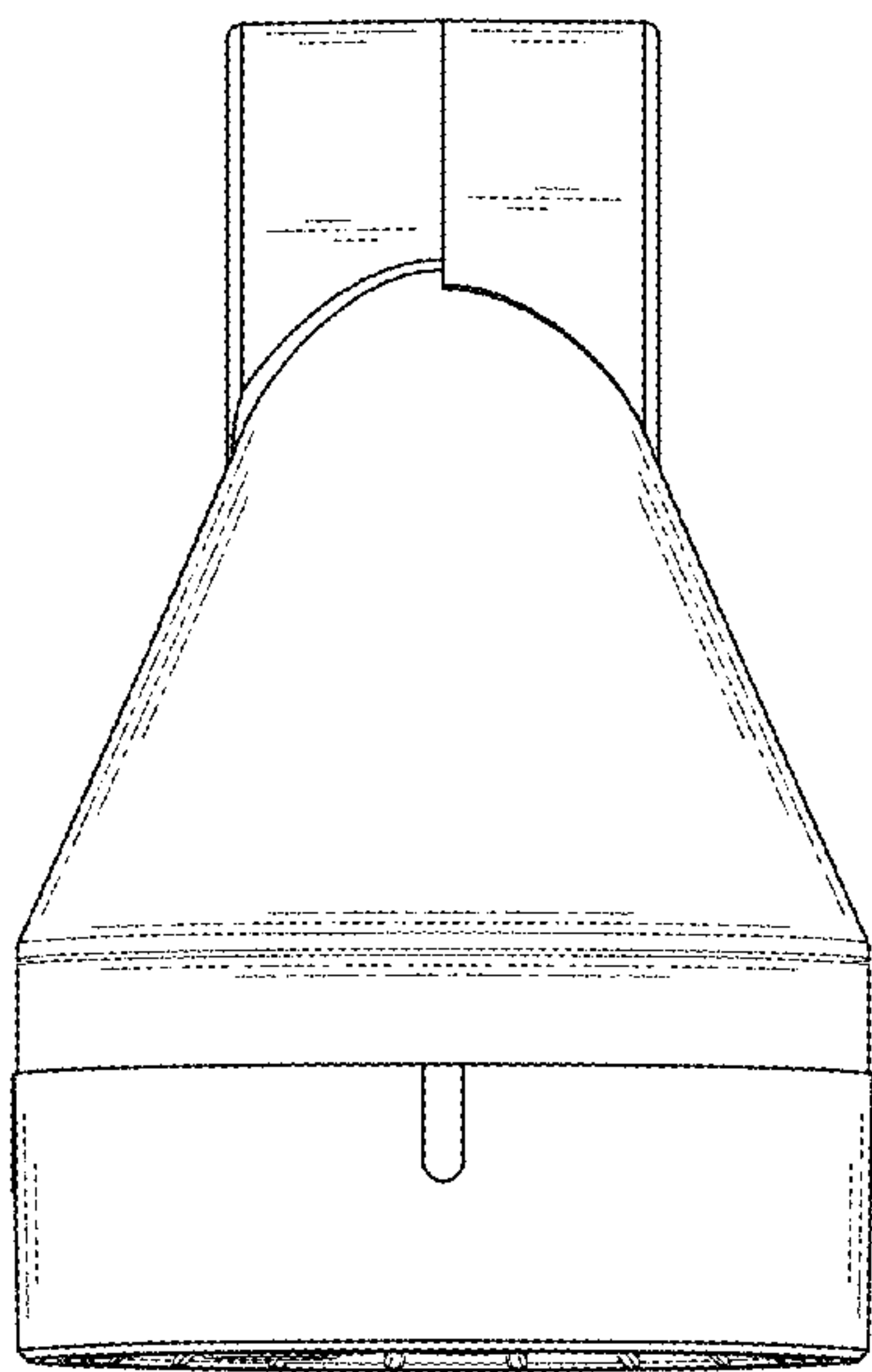


FIG. 6

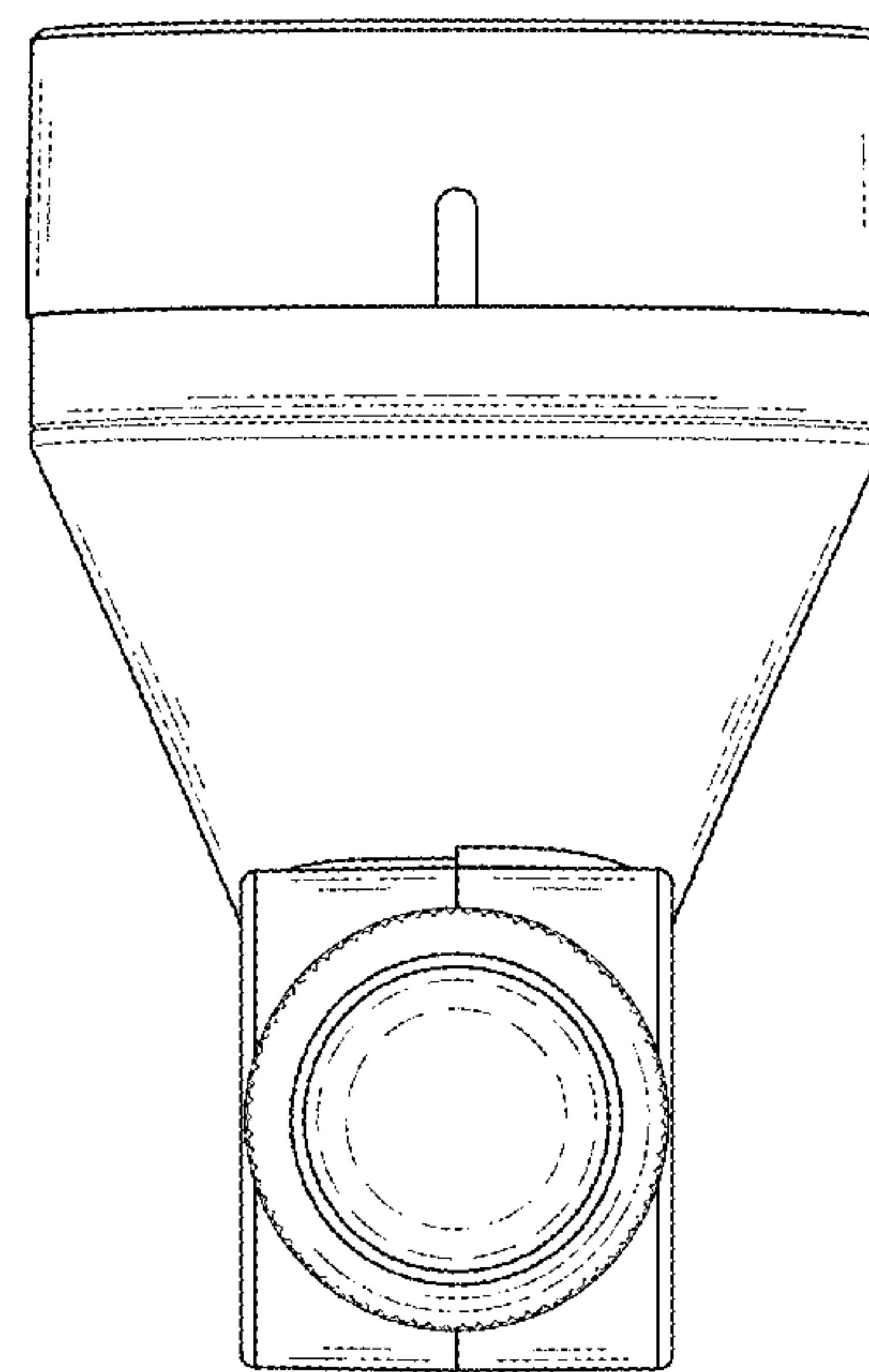


FIG. 7

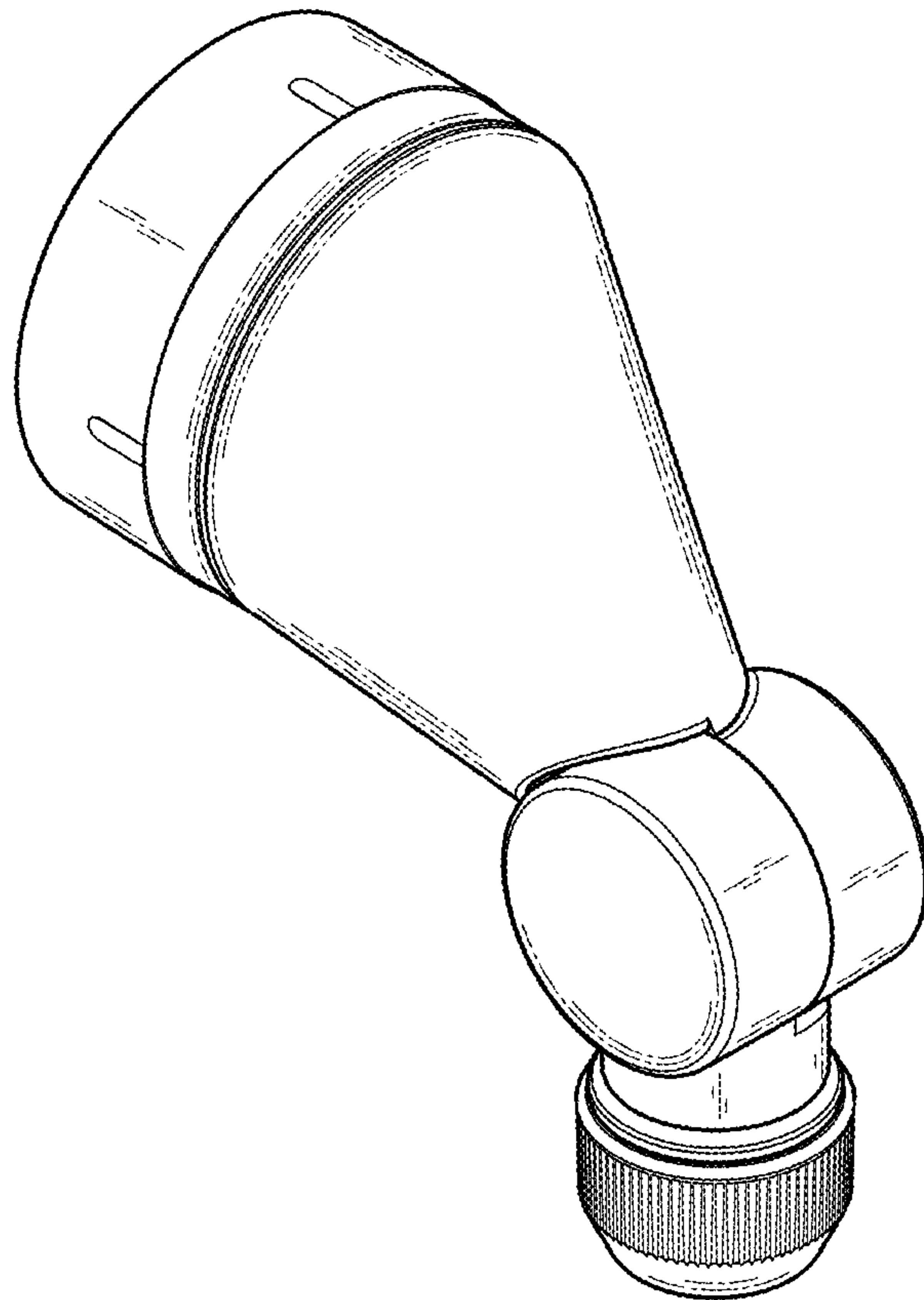


FIG.8

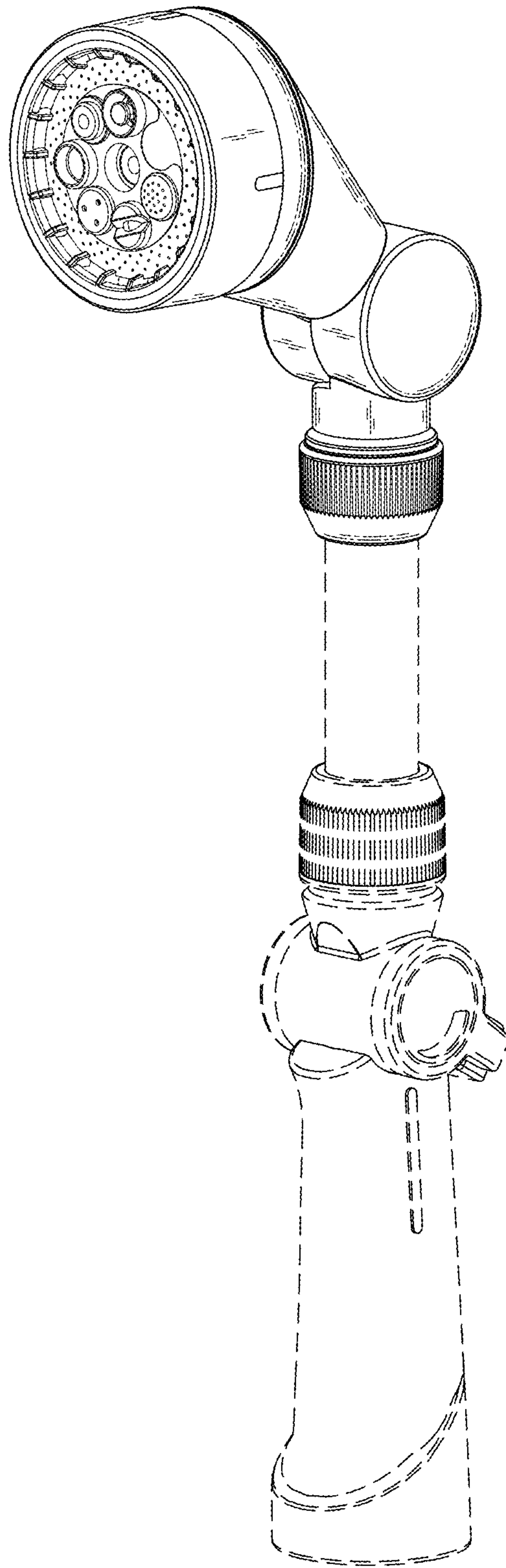


FIG.9