



US00D929537S

(12) **United States Design Patent**  
**Chen**

(10) **Patent No.:** **US D929,537 S**

(45) **Date of Patent:** **\*\* Aug. 31, 2021**

(54) **GARDENING WATER SPRAY GUN**

(71) Applicant: **SHIN TAI SPURT WATER OF THE GARDEN TOOLS CO., LTD.**

(72) Inventor: **Chin-Yuan Chen, Lu-Kang Town (TW)**

(73) Assignee: **SHIN TAI SPURT WATER OF THE GARDEN TOOLS CO., LTD., Chang-Hua Hsien (TW)**

(\*\*) Term: **15 Years**

(21) Appl. No.: **29/710,593**

(22) Filed: **Oct. 24, 2019**

(51) **LOC (13) Cl.** ..... **23-01**

(52) **U.S. Cl.**  
USPC ..... **D23/223**

(58) **Field of Classification Search**  
USPC ..... D23/213, 214, 215, 223, 224, 226, 229, D23/230  
CPC ..... A61H 9/0021; A61H 33/00; B05B 1/00; B05B 1/14; B05B 1/185; B05B 1/08; B05B 1/02; B05B 1/26; B05B 12/002; B05B 1/18; B05B 9/01  
See application file for complete search history.

(56) **References Cited**

**U.S. PATENT DOCUMENTS**

|              |         |         |       |         |
|--------------|---------|---------|-------|---------|
| D487,135 S * | 2/2004  | Lord    | ..... | D23/245 |
| D519,190 S * | 4/2006  | Lord    | ..... | D23/238 |
| D522,614 S * | 6/2006  | Ko      | ..... | D23/213 |
| D535,357 S * | 1/2007  | Zhou    | ..... | D23/238 |
| D550,326 S * | 9/2007  | Huang   | ..... | D23/213 |
| D580,023 S * | 11/2008 | Gilbert | ..... | D23/255 |
| D583,015 S * | 12/2008 | Soriano | ..... | D23/249 |
| D713,508 S * | 9/2014  | Downey  | ..... | D23/238 |
| D719,242 S * | 12/2014 | Kim     | ..... | D23/255 |
| D754,301 S * | 4/2016  | Bahler  | ..... | D23/255 |
| D758,552 S * | 6/2016  | Rexach  | ..... | D23/255 |
| D797,257 S * | 9/2017  | Potter  | ..... | D23/255 |

|              |         |         |       |         |
|--------------|---------|---------|-------|---------|
| D802,091 S * | 11/2017 | Bahler  | ..... | D23/213 |
| D805,611 S * | 12/2017 | Rexach  | ..... | D23/257 |
| D842,429 S * | 3/2019  | Huang   | ..... | D23/213 |
| D842,430 S * | 3/2019  | Huang   | ..... | D23/213 |
| D847,951 S * | 5/2019  | Zhang   | ..... | D23/238 |
| D866,707 S * | 11/2019 | Eads    | ..... | D23/213 |
| D866,708 S * | 11/2019 | Bahler  | ..... | D23/213 |
| D867,522 S * | 11/2019 | Tentler | ..... | D23/213 |
| D867,523 S * | 11/2019 | Tentler | ..... | D23/213 |
| D867,524 S * | 11/2019 | Tentler | ..... | D23/213 |
| D867,525 S * | 11/2019 | Eads    | ..... | D23/213 |
| D867,527 S * | 11/2019 | Eads    | ..... | D23/213 |

(Continued)

**OTHER PUBLICATIONS**

Solterra Garden hose, Apr. 6, 2020, Amazon.com, May 5, 2021. URL: <https://www.amazon.com/Solterra-56700-Adjustable-Garden-Control/dp/B07RH1VJ4B> (Year: 2020).\*

*Primary Examiner* — Jack Reickel  
*Assistant Examiner* — Keith J Wilson

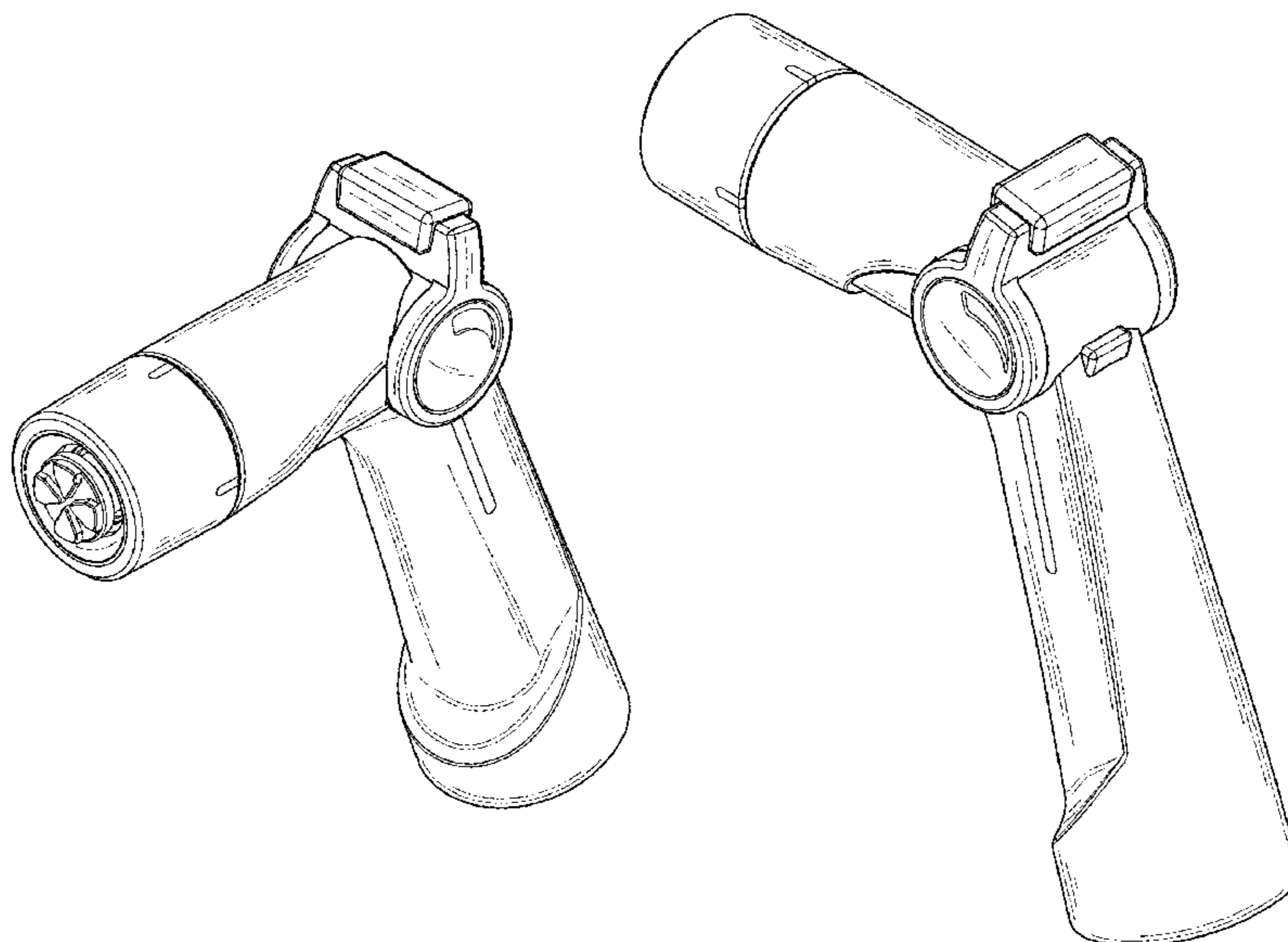
(57) **CLAIM**

The ornamental design for a gardening water spray gun, as shown and described.

**DESCRIPTION**

FIG. 1 is a perspective view of a gardening water spray gun showing my new design;  
FIG. 2 is a front elevation view thereof;  
FIG. 3 is a rear elevation view thereof;  
FIG. 4 is a left side elevation view thereof;  
FIG. 5 is a right side elevation view thereof;  
FIG. 6 is a top plan view thereof;  
FIG. 7 is a bottom plan view thereof; and,  
FIG. 8 is another perspective schematic view of a gardening water spray gun showing my design.  
The broken lines shown represent portions of a gardening water spray gun and forms no part of the claimed design.

**1 Claim, 6 Drawing Sheets**



(56)

**References Cited**

U.S. PATENT DOCUMENTS

|                   |         |          |       |                          |
|-------------------|---------|----------|-------|--------------------------|
| D870,234 S *      | 12/2019 | Judge    | ..... | D23/213                  |
| D870,845 S *      | 12/2019 | Eads     | ..... | D23/213                  |
| D874,613 S *      | 2/2020  | Park     | ..... | D23/238                  |
| D900,279 S *      | 10/2020 | Cheng    | ..... | D23/213                  |
| D901,635 S *      | 11/2020 | Chen     | ..... | D23/226                  |
| D902,350 S *      | 11/2020 | Chen     | ..... | D23/226                  |
| 2007/0252022 A1 * | 11/2007 | Benstead | ..... | B05B 1/1618<br>239/590.5 |
| 2016/0136659 A1 * | 5/2016  | Erickson | ..... | B05B 1/1618<br>239/443   |

\* cited by examiner

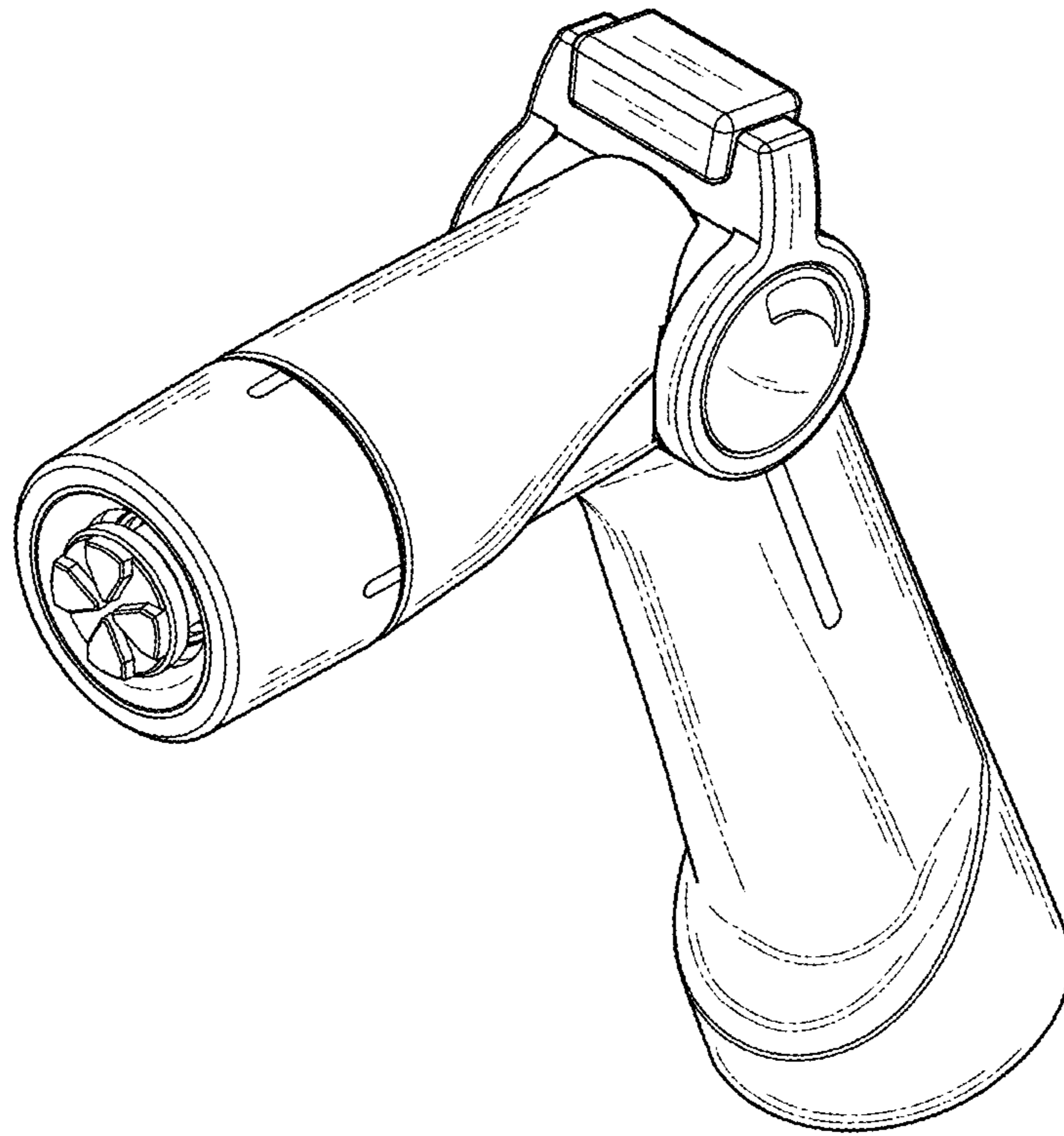


FIG.1

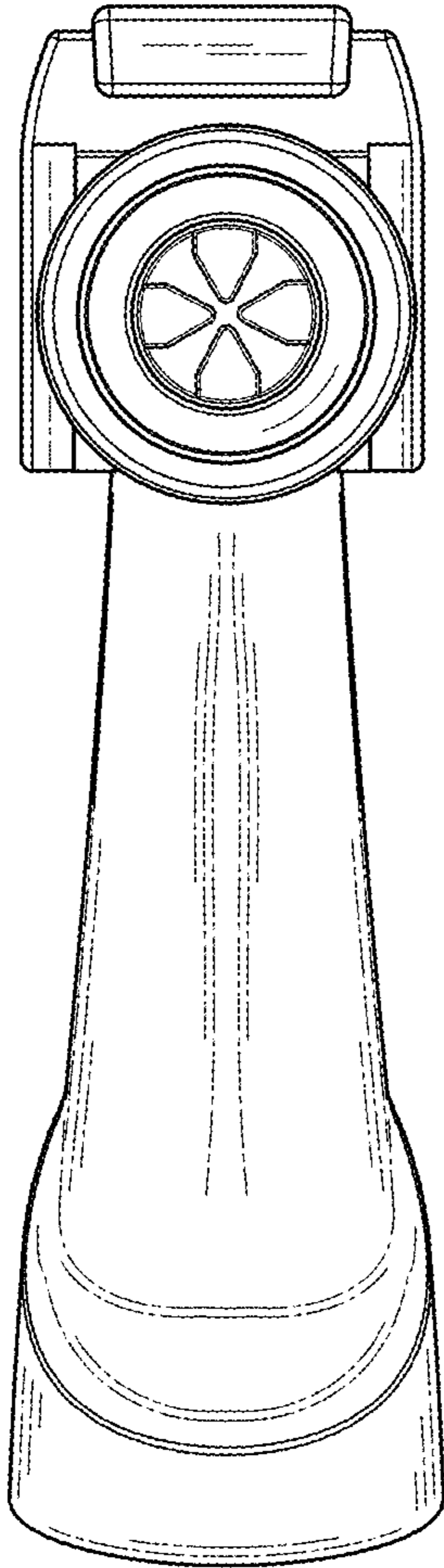


FIG.2

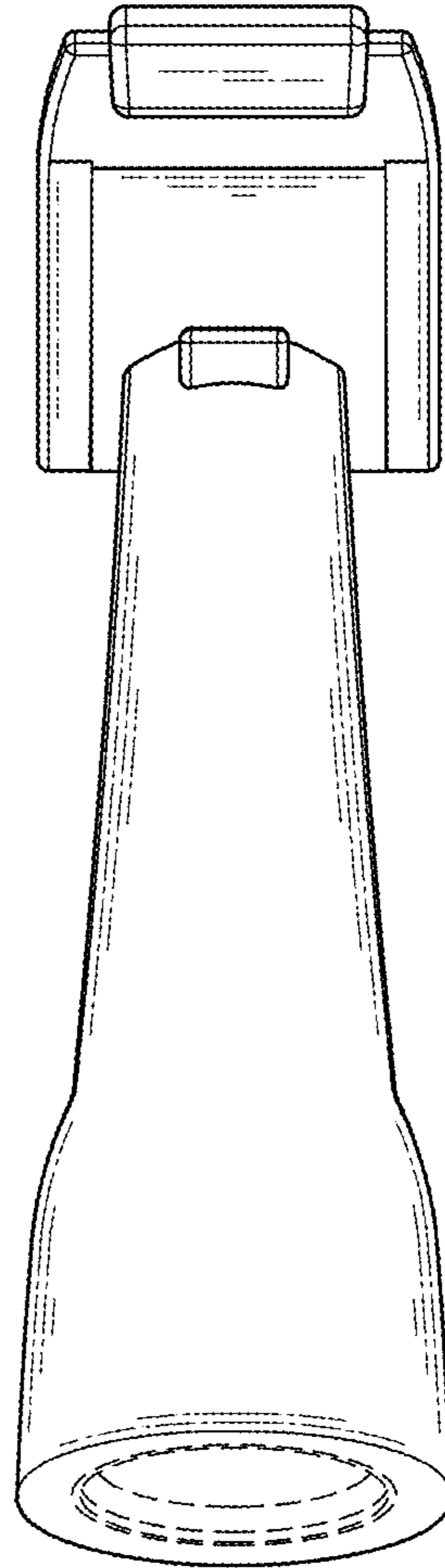


FIG.3

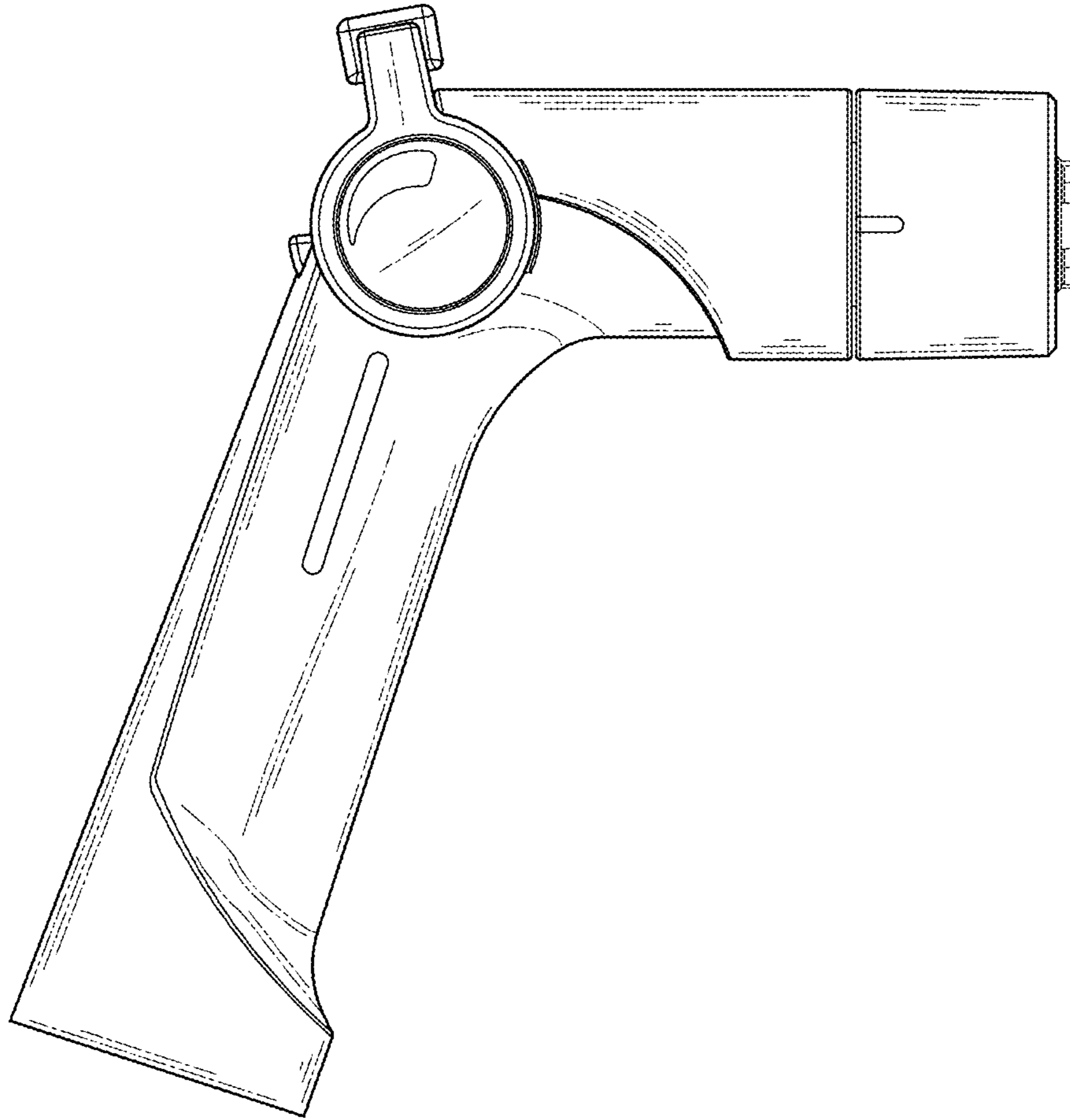


FIG.4



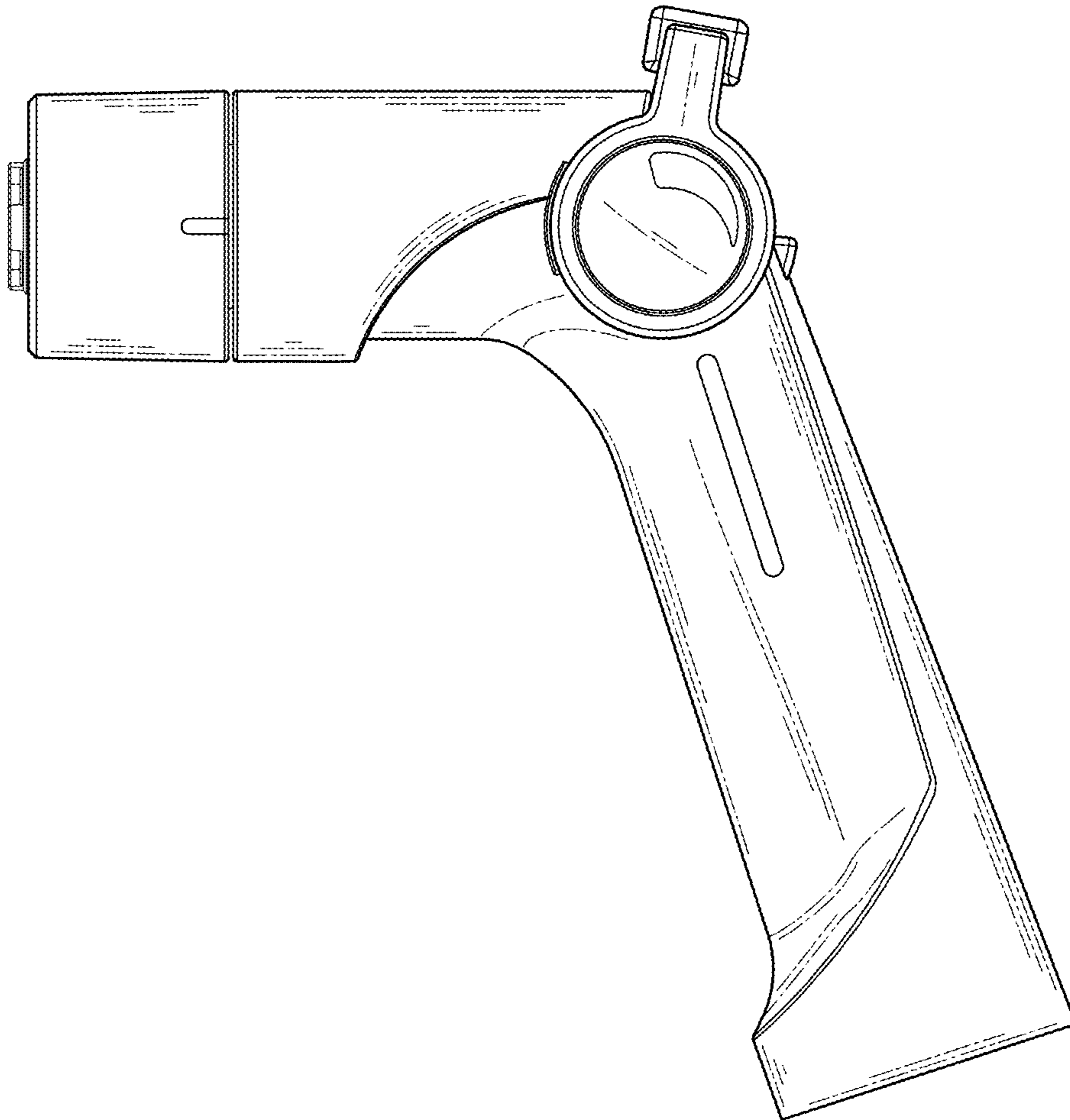


FIG.5

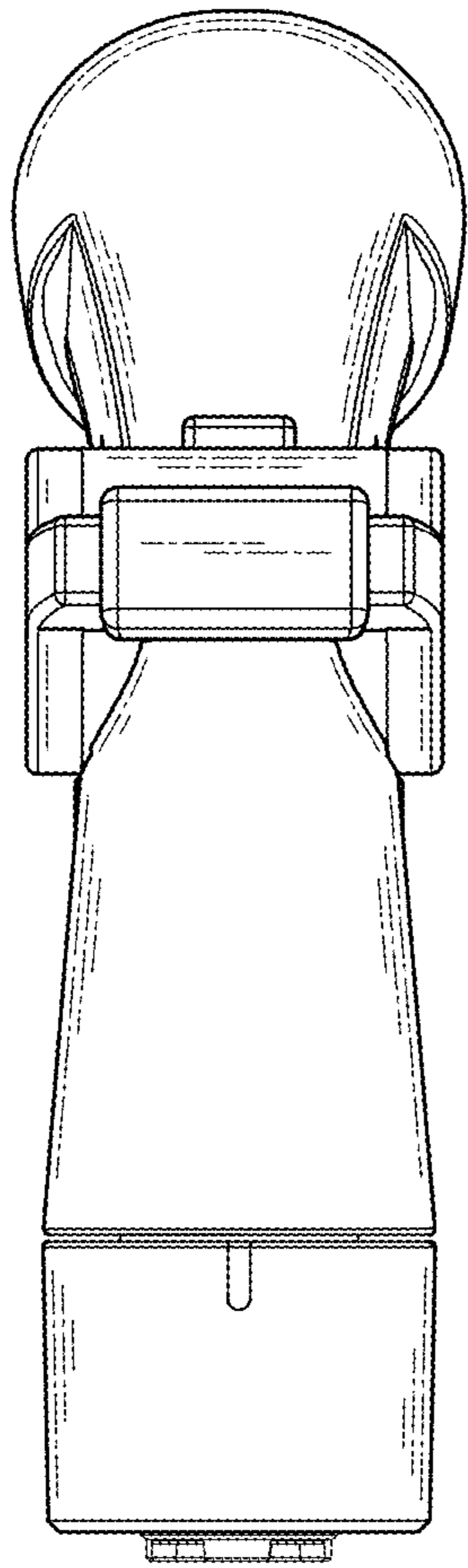


FIG. 6

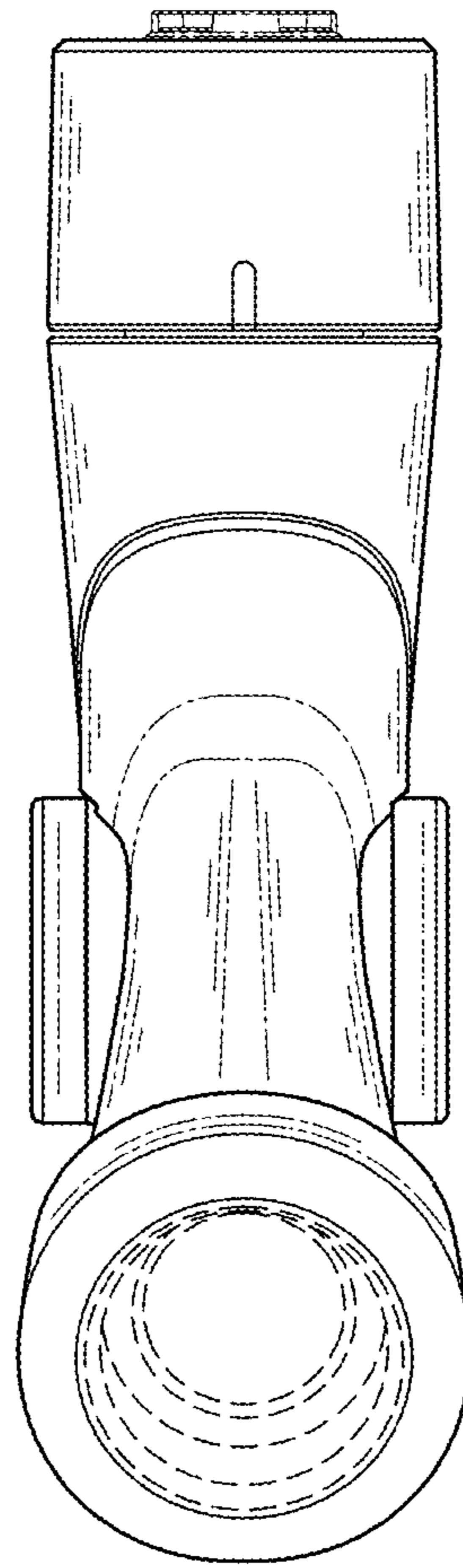


FIG. 7

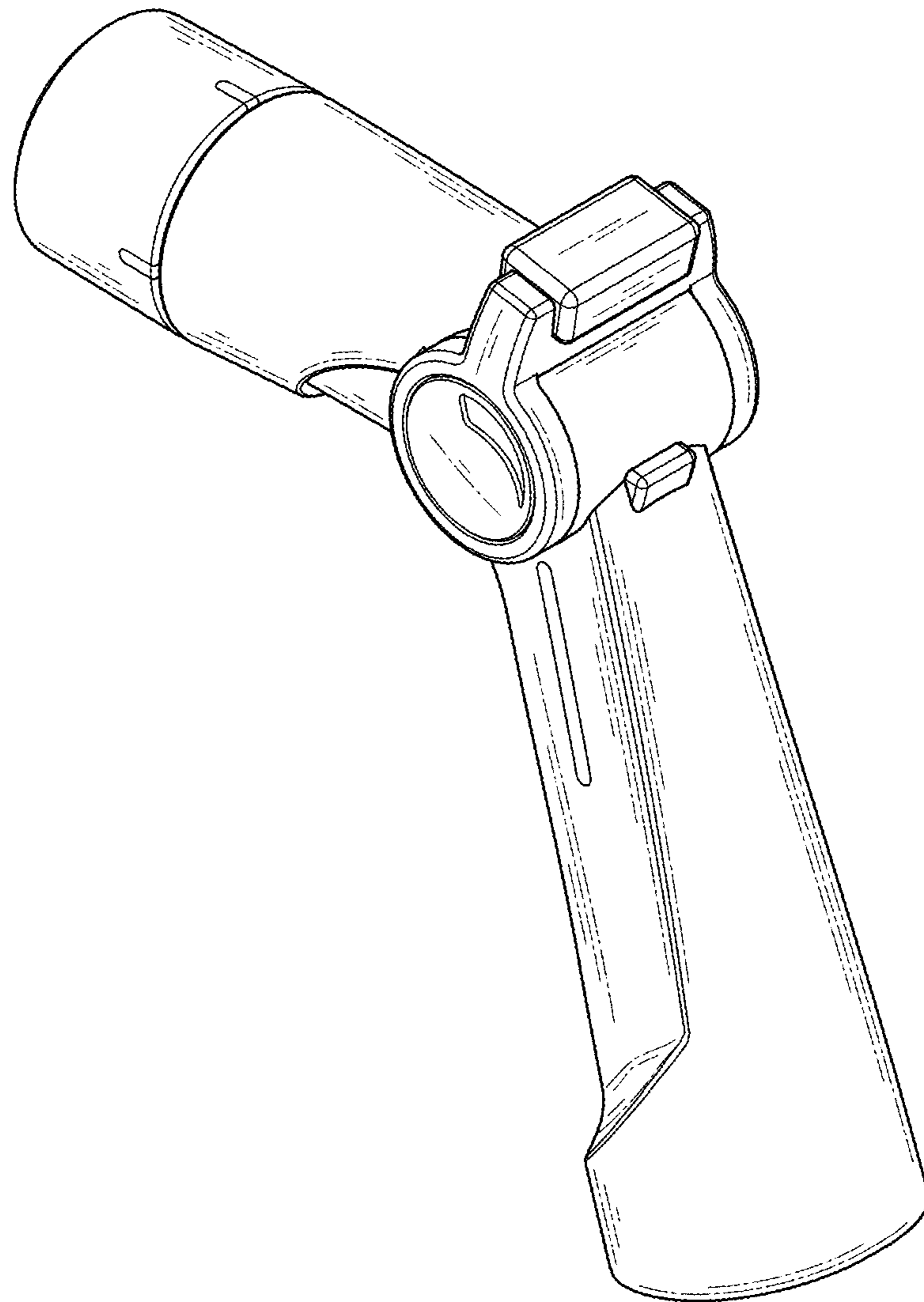


FIG.8