



US00D929536S

(12) **United States Design Patent**
Chen

(10) **Patent No.:** **US D929,536 S**

(45) **Date of Patent:** **** Aug. 31, 2021**

(54) **GARDENING WATER SPRAY GUN**

(71) Applicant: **SHIN TAI SPURT WATER OF THE GARDEN TOOLS CO., LTD.**

(72) Inventor: **Chin-Yuan Chen, Lu-Kang Town (TW)**

(73) Assignee: **SHIN TAI SPURT WATER OF THE GARDEN TOOLS CO., LTD., Chang-Hua Hsien (TW)**

(**) Term: **15 Years**

(21) Appl. No.: **29/710,587**

(22) Filed: **Oct. 24, 2019**

(51) **LOC (13) Cl.** **23-01**

(52) **U.S. Cl.**
USPC **D23/223**

(58) **Field of Classification Search**
USPC D23/213, 214, 215, 223, 224, 226, 229, D23/230
CPC A61H 9/0021; A61H 33/00; B05B 1/00; B05B 1/14; B05B 1/185; B05B 1/08; B05B 1/02; B05B 1/26; B05B 12/002; B05B 1/18; B05B 9/01
See application file for complete search history.

(56) **References Cited**

U.S. PATENT DOCUMENTS

D487,135 S *	2/2004	Lord	D23/245
D519,190 S *	4/2006	Lord	D23/238
D522,614 S *	6/2006	Ko	D23/213
D535,357 S *	1/2007	Zhou	D23/238
D550,326 S *	9/2007	Huang	D23/213
D580,023 S *	11/2008	Gilbert	D23/255
D583,015 S *	12/2008	Soriano	D23/249
D713,508 S *	9/2014	Downey	D23/238
D719,242 S *	12/2014	Kim	D23/255
D754,301 S *	4/2016	Bahler	D23/255
D758,552 S *	6/2016	Rexach	D23/255
D797,257 S *	9/2017	Potter	D23/255

D802,091 S *	11/2017	Bahler	D23/213
D805,611 S *	12/2017	Rexach	D23/257
D842,429 S *	3/2019	Huang	D23/213
D842,430 S *	3/2019	Huang	D23/213
D847,951 S *	5/2019	Zhang	D23/238
D866,707 S *	11/2019	Eads	D23/213
D866,708 S *	11/2019	Bahler	D23/213
D867,522 S *	11/2019	Tentler	D23/213
D867,523 S *	11/2019	Tentler	D23/213
D867,524 S *	11/2019	Tentler	D23/213
D867,525 S *	11/2019	Eads	D23/213
D867,527 S *	11/2019	Eads	D23/213

(Continued)

OTHER PUBLICATIONS

Homitt Garden Hose Nozzle One-Piece, 8 Spray Patterns Hose Nozzle, Jan. 3, 2020, Amazon.com May 5, 2021. URL: <https://www.amazon.com/dp/B083BBQ2WS/> (Year: 2020).*

Primary Examiner — Jack Reickel

Assistant Examiner — Keith J Wilson

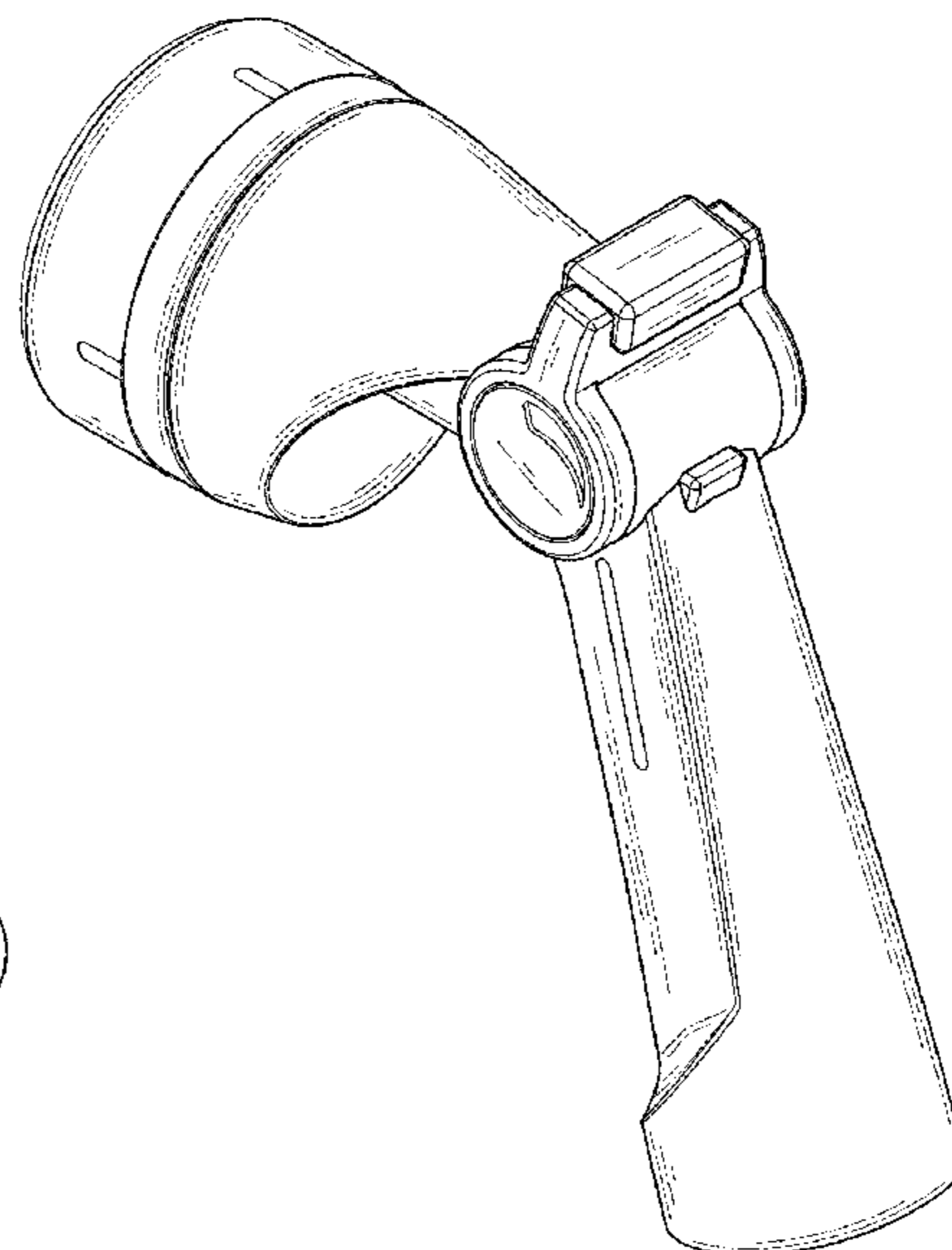
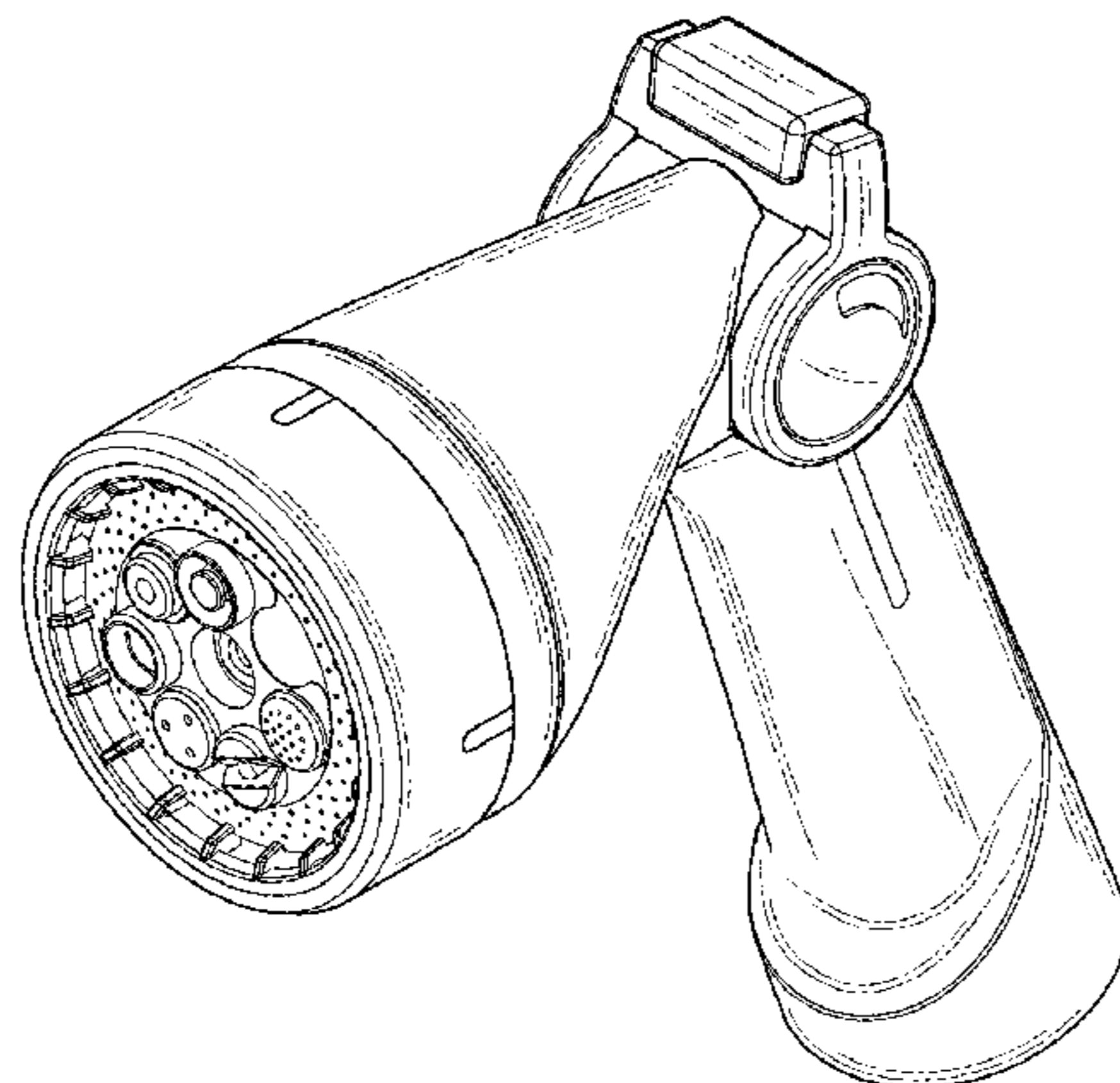
(57) **CLAIM**

The ornamental design for a gardening water spray gun, as shown and described.

DESCRIPTION

FIG. 1 is a perspective view of a gardening water spray gun showing my new design;
FIG. 2 is a front elevation view thereof;
FIG. 3 is a rear elevation view thereof;
FIG. 4 is a left side elevation view thereof;
FIG. 5 is a right side elevation view thereof;
FIG. 6 is a top plan view thereof;
FIG. 7 is a bottom plan view thereof; and,
FIG. 8 is another perspective schematic view of a gardening water spray gun showing my design.
The broken lines shown represent portions of a gardening water spray gun and forms no part of the claimed design.

1 Claim, 6 Drawing Sheets



(56)

References Cited

U.S. PATENT DOCUMENTS

D870,234 S *	12/2019	Judge	D23/213
D870,845 S *	12/2019	Eads	D23/213
D874,613 S *	2/2020	Park	D23/238
D900,279 S *	10/2020	Cheng	D23/213
D901,635 S *	11/2020	Chen	D23/226
D902,350 S *	11/2020	Chen	D23/226
2007/0252022 A1 *	11/2007	Benstead	B05B 1/1618 239/590.5
2016/0136659 A1 *	5/2016	Erickson	B05B 1/1618 239/443

* cited by examiner

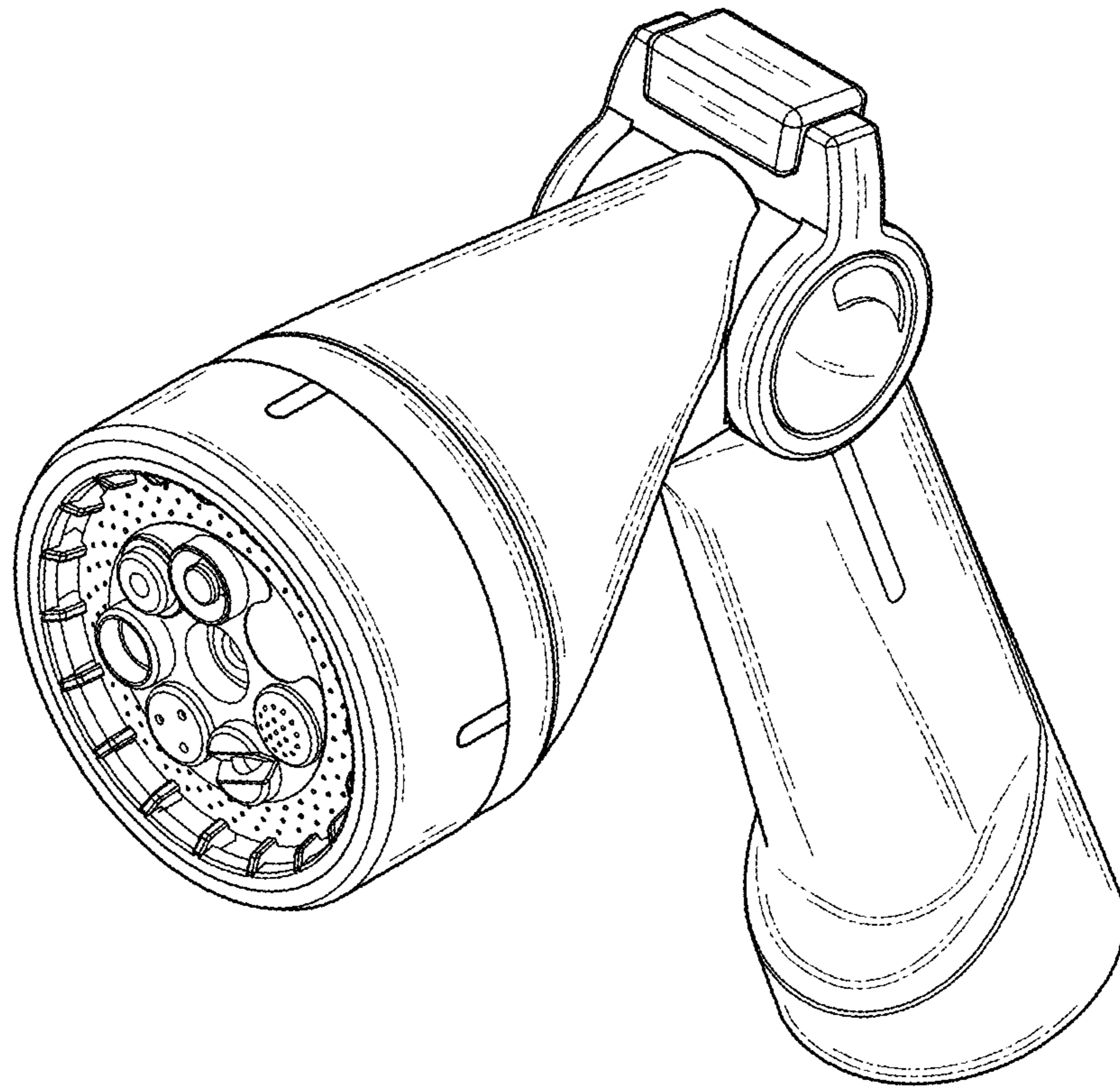


FIG.1

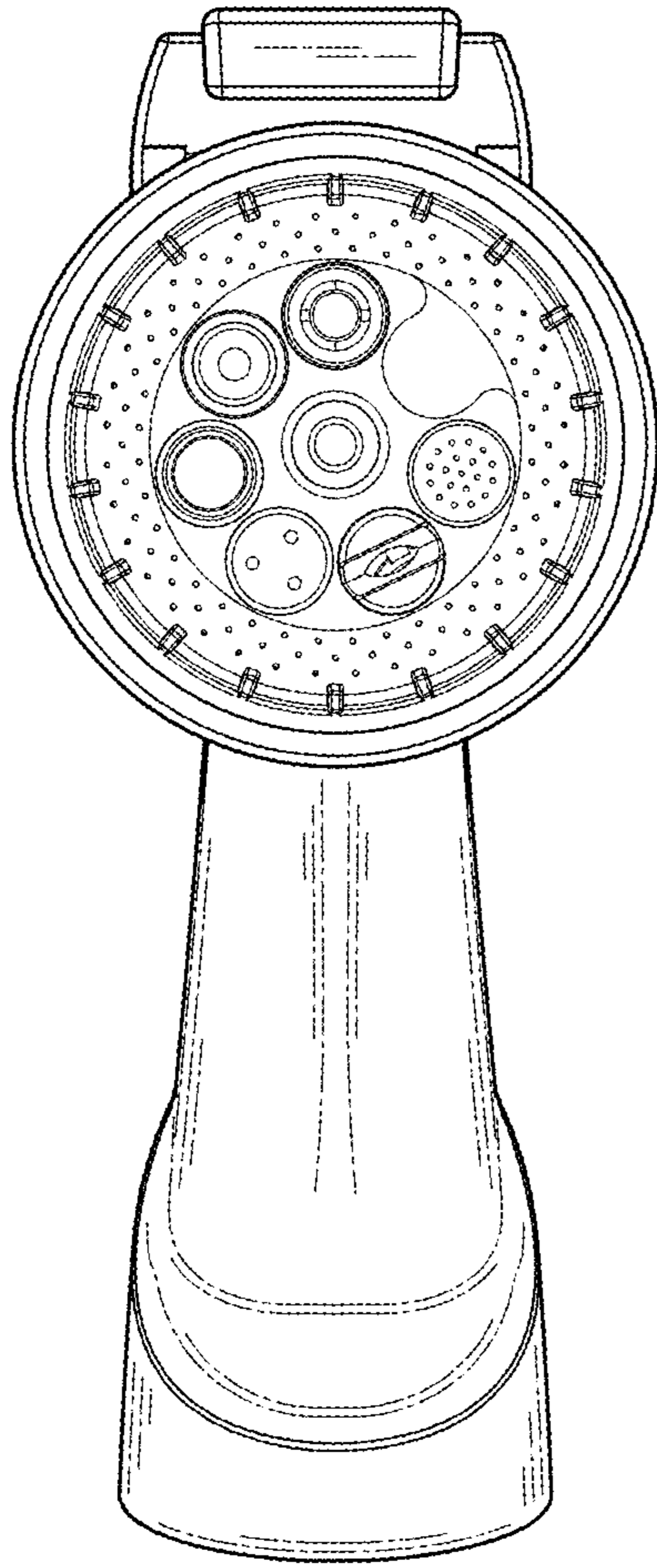


FIG. 2

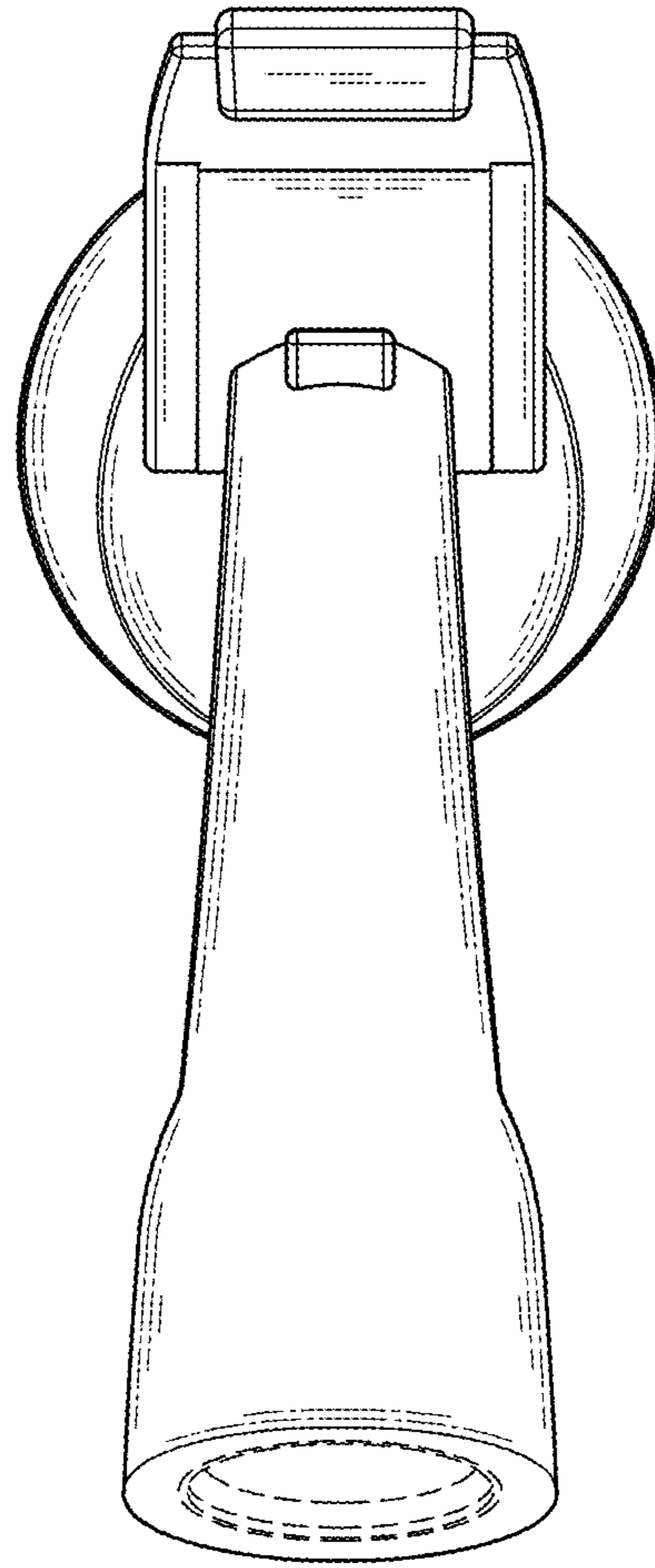


FIG. 3

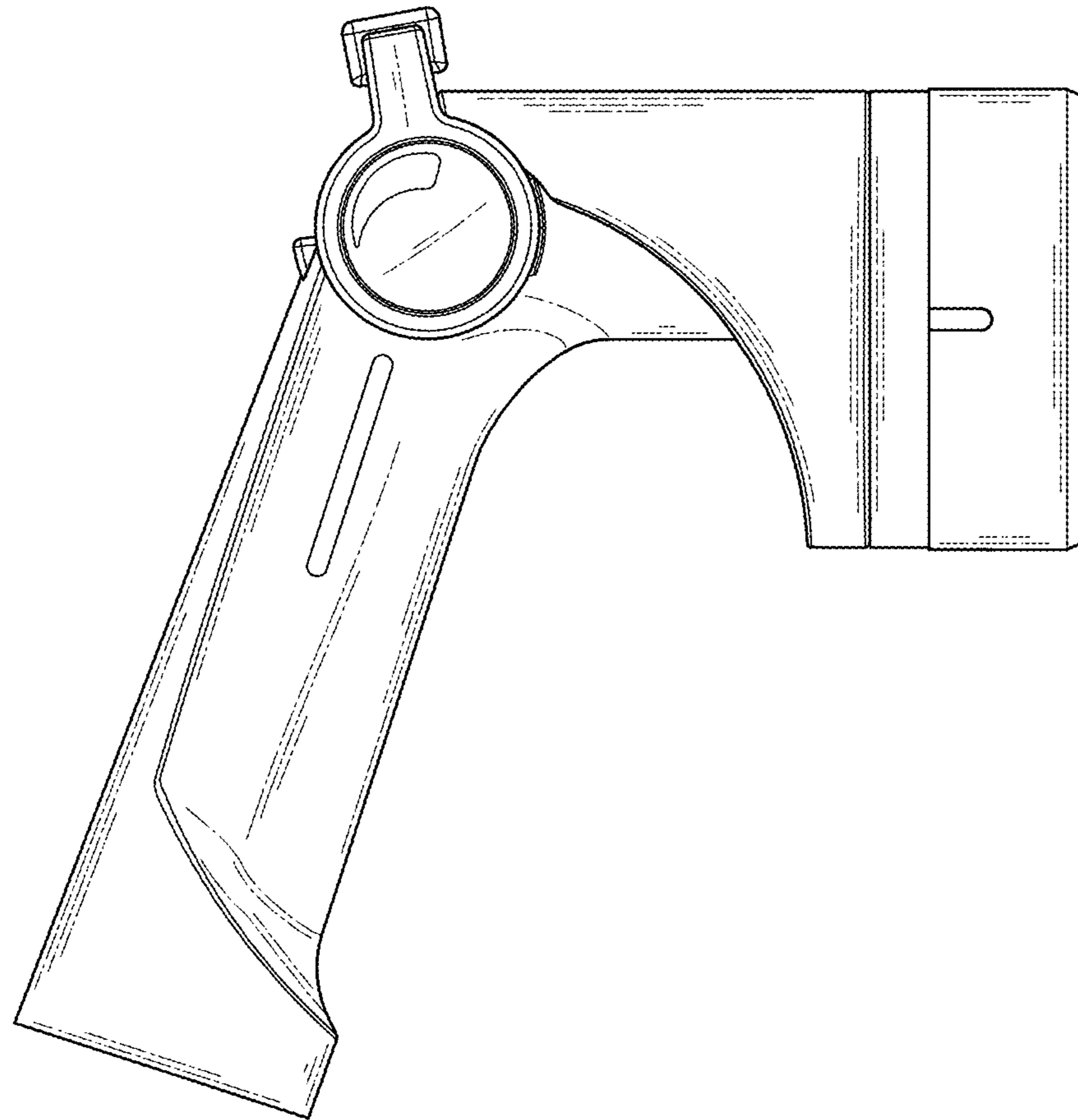


FIG.4

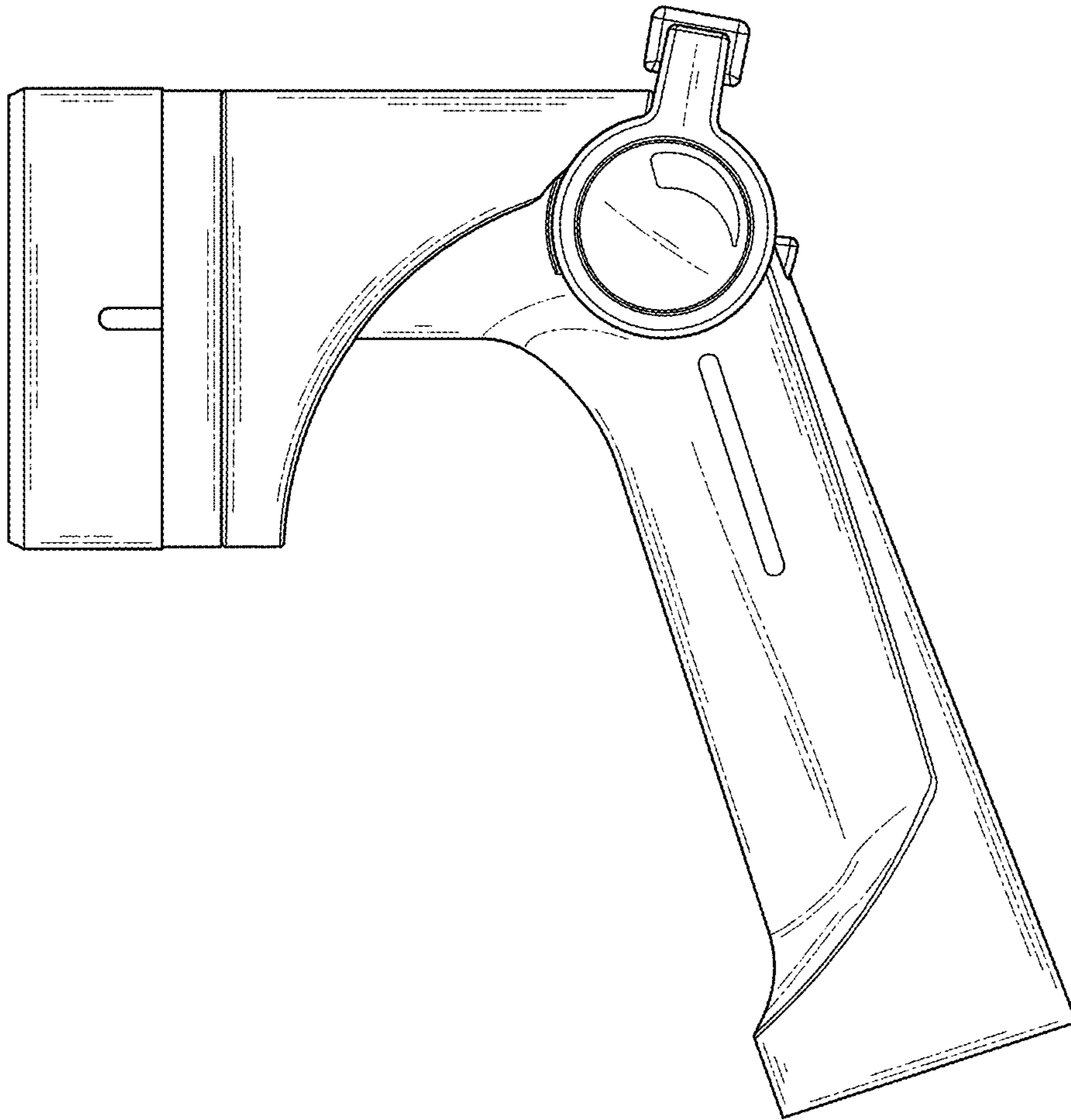


FIG.5

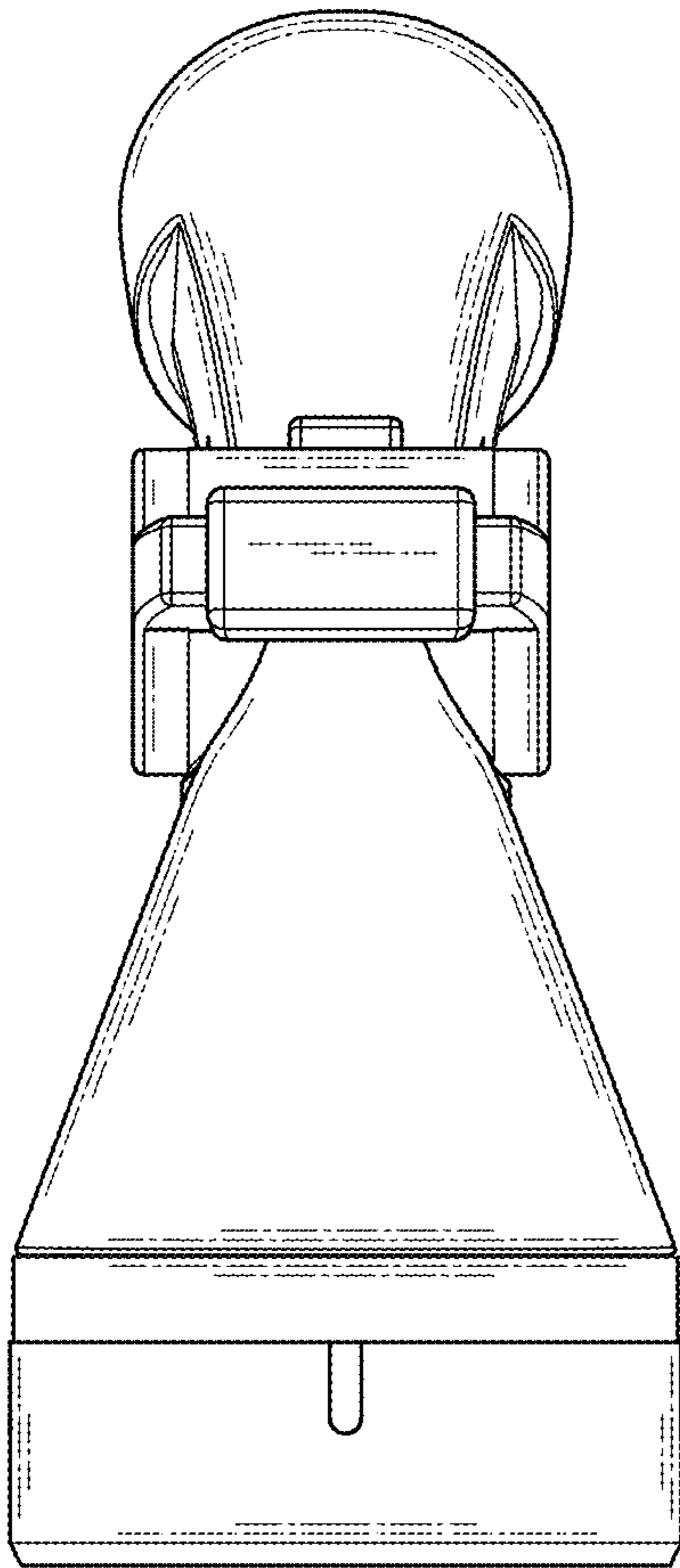


FIG. 6

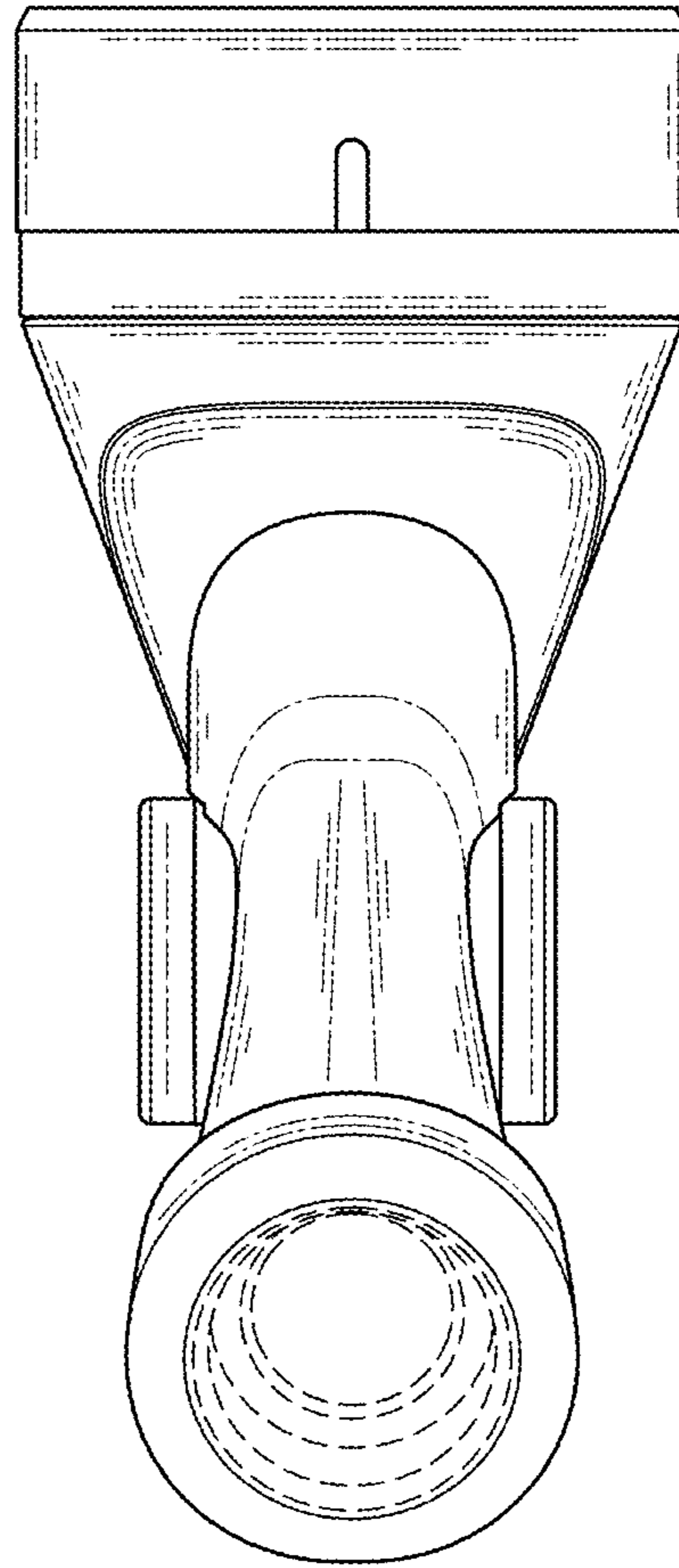


FIG. 7

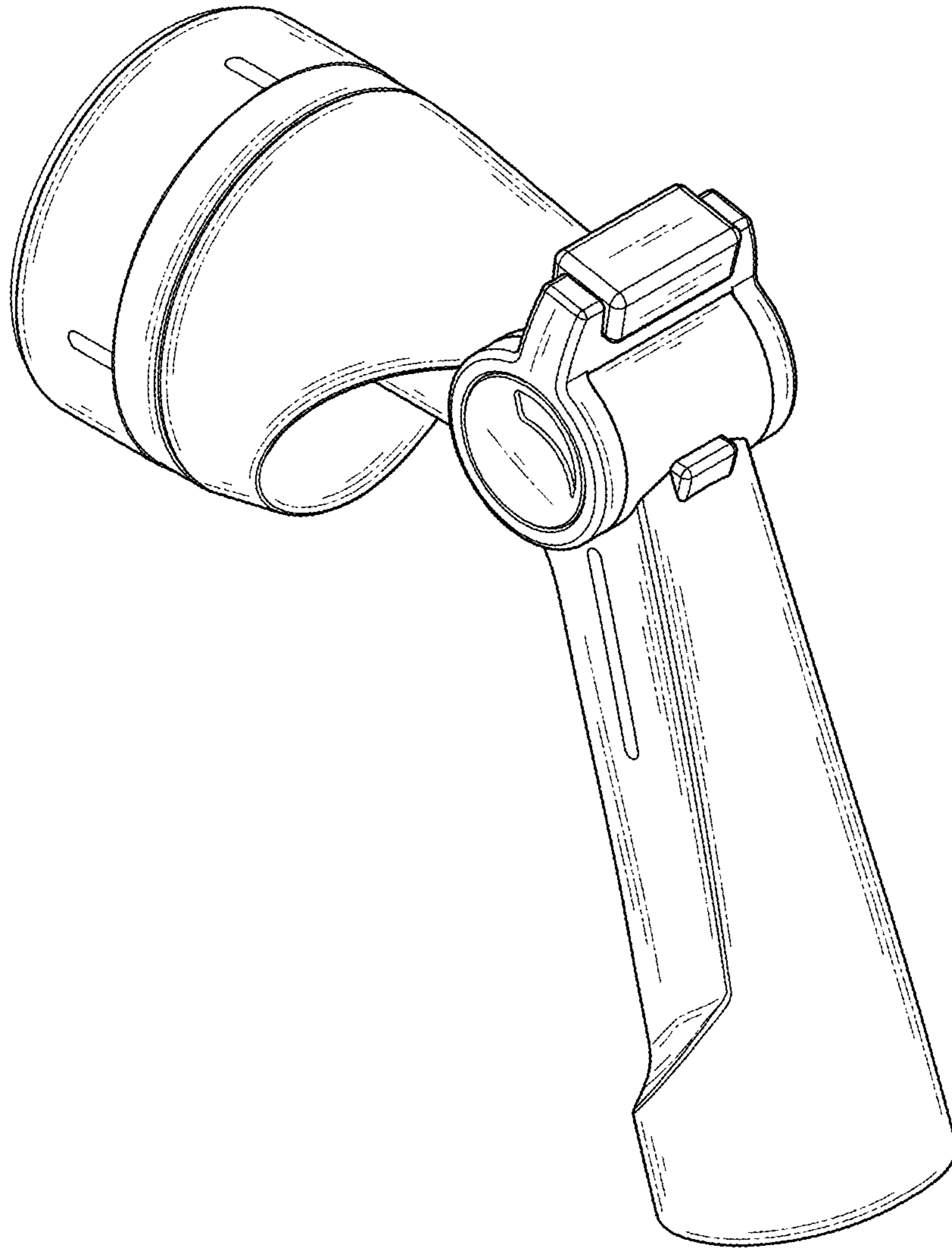


FIG.8