



US00D929533S

(12) **United States Design Patent**
Huang

(10) **Patent No.:** **US D929,533 S**

(45) **Date of Patent:** **** Aug. 31, 2021**

(54) **FILTER ELEMENT**

(71) Applicant: **Xiaoping Huang**, Zhongshan (CN)

(72) Inventor: **Xiaoping Huang**, Zhongshan (CN)

(**) Term: **15 Years**

(21) Appl. No.: **29/732,852**

(22) Filed: **Apr. 28, 2020**

(30) **Foreign Application Priority Data**

Mar. 10, 2020 (CN) 202030077266.2

(51) **LOC (13) Cl.** **23-01**

(52) **U.S. Cl.**
USPC **D23/209**

(58) **Field of Classification Search**
USPC D23/209, 235, 341, 358, 363-365;
D15/5

CPC B01D 46/0002; B01D 46/10; F02M 35/04;
F02M 35/10; F02M 35/024

See application file for complete search history.

(56) **References Cited**

U.S. PATENT DOCUMENTS

D679,779 S *	4/2013	Reid	D23/209
D750,738 S *	3/2016	Baird	D23/209
D776,237 S *	1/2017	Dong	D23/207
D780,887 S *	3/2017	Huda	D23/209
D788,880 S *	6/2017	Zou	D23/209
D792,943 S *	7/2017	Zou	D23/209
D794,749 S *	8/2017	Zou	D23/209
D794,750 S *	8/2017	Zou	D23/209
D795,995 S *	8/2017	Zou	D23/209
D795,997 S *	8/2017	Zou	D23/209
D798,997 S *	10/2017	Zou	D23/209
D807,988 S *	1/2018	An	D23/209
D831,786 S *	10/2018	Zou	D23/209
D831,788 S *	10/2018	Zou	D23/209
D845,433 S *	4/2019	Zou	D23/209

D845,434 S *	4/2019	Zou	D23/209
D856,473 S *	8/2019	Zou	D23/209
D856,474 S *	8/2019	Zou	D23/209
D857,840 S *	8/2019	Lu	D23/209
D857,841 S *	8/2019	Lu	D23/209
D858,691 S *	9/2019	Zou	D23/209
D858,692 S *	9/2019	Zou	D23/209
D858,693 S *	9/2019	Zou	D23/209
D858,694 S *	9/2019	Zou	D23/209
D861,127 S *	9/2019	Lu	D23/209
D865,119 S *	10/2019	An	D23/209

(Continued)

OTHER PUBLICATIONS

ForeverPRO Certified LT700P Refrigerator Water Filter Replacement, Jun. 10, 2019, Amazon.com, May 8, 2021 <https://www.amazon.com/dp/B07SSW6S8X> (Year: 2019).*

(Continued)

Primary Examiner — Jack Reickel
Assistant Examiner — Keith J Wilson

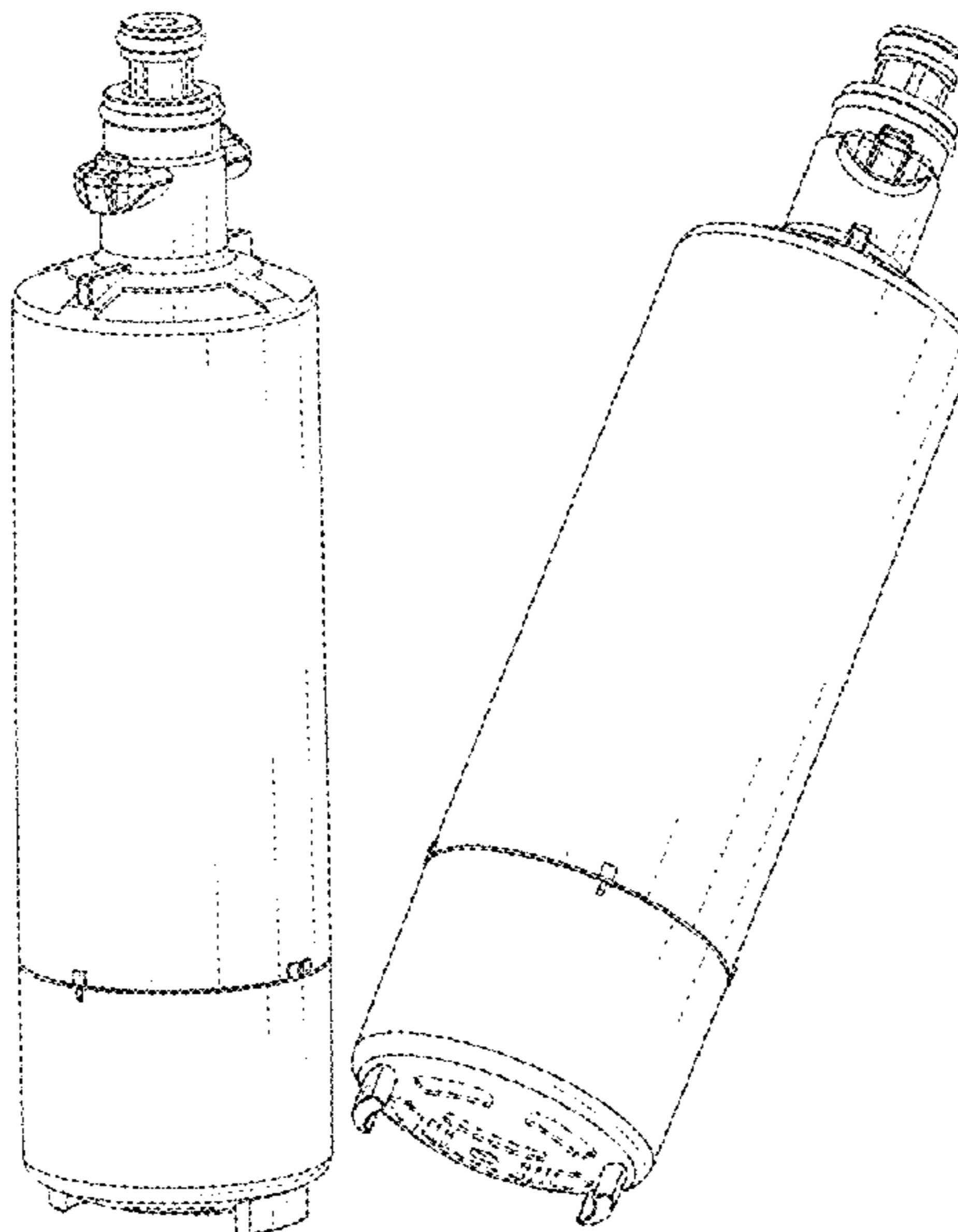
(57) **CLAIM**

The ornamental design for a filter element, as shown and described.

DESCRIPTION

FIG. 1 is a front top perspective view of a filter element showing my new design;
FIG. 2 is a left bottom perspective view thereof;
FIG. 3 is a front elevational view thereof;
FIG. 4 is a rear elevational view thereof;
FIG. 5 is a left side view thereof;
FIG. 6 is a right side view thereof;
FIG. 7 is a top plan view thereof; and,
FIG. 8 is a bottom plan view thereof.
The broken lines shown in the drawings depict portions of the filter element that form no part of the claimed design.

1 Claim, 8 Drawing Sheets



(56)

References Cited

U.S. PATENT DOCUMENTS

D875,209	S	*	2/2020	Zou	D23/209
D878,517	S	*	3/2020	Zou	D23/209
D883,426	S	*	5/2020	Lu	D23/209
D886,940	S	*	6/2020	Zou	D23/209
D886,941	S	*	6/2020	Zou	D23/209
D890,296	S	*	7/2020	Chandler	D23/209
D891,577	S	*	7/2020	Zou	D23/209
D892,264	S	*	8/2020	Zou	D23/209
D894,333	S	*	8/2020	Huaping	D23/209
D894,336	S	*	8/2020	Huaping	D23/209
D894,337	S	*	8/2020	Huaping	D23/209
D899,563	S	*	10/2020	Wei	D23/209
D913,416	S	*	3/2021	Qiang	D23/209
D913,417	S	*	3/2021	Huaping	D23/209
D917,662	S	*	4/2021	Lu	D23/209
D918,335	S	*	5/2021	Wei	D23/209
D919,041	S	*	5/2021	Lu	D23/209
D924,354	S	*	7/2021	Huang	D23/209

OTHER PUBLICATIONS

Filtrete Advanced Under Sink Quick Change Water Filtration, Mar. 2, 2007, Amazon.com Jul. 14, 2021.URL: <https://www.amazon.com/Filtrete-Advanced-Filtration-Microbial-3US-PF01/dp/B001DVRR4W/> (Year: 2007).*

Filtrete Standard Under Sink Quick Change Water Filtration, Aug. 5, 2008, Amazon.com Jul. 14, 2021.URL: https://www.amazon.com/Filtrete-Standard-Filtration-Sediment-3US-AS01/dp/B001DVWAVW (Year: 2008).*

3M High Flow Series Replacement Cartridge HF20-MS, 5615109, Jun. 18, 2009, Amazon.com, Jul. 14, 2021.URL: https://www.amazon.com/3M-Water-Filtration-Products-Replacement/dp/B004UBSYMQ (Year: 2009).*

* cited by examiner

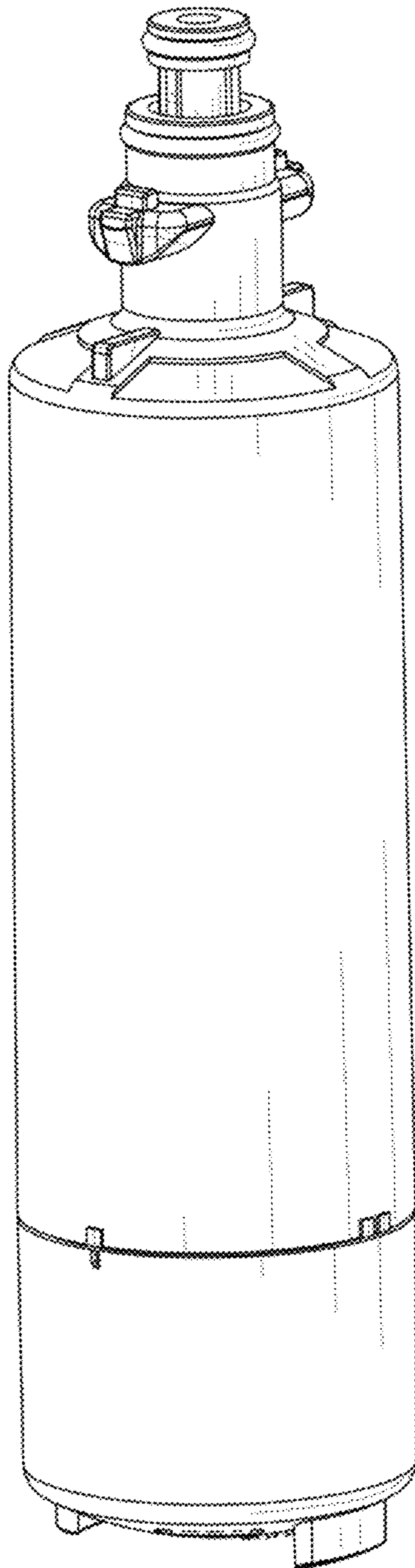


FIG. 1

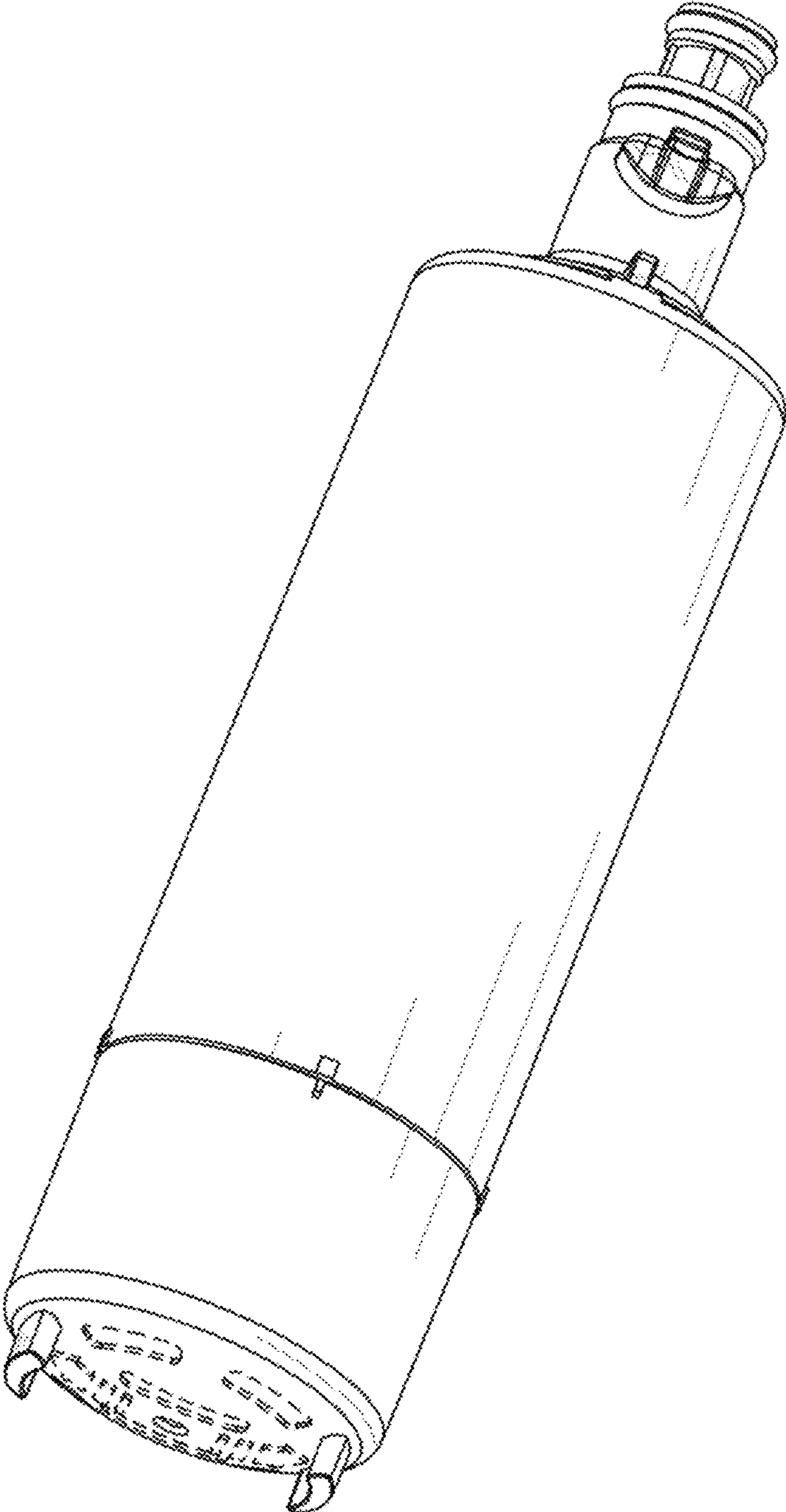


FIG.2

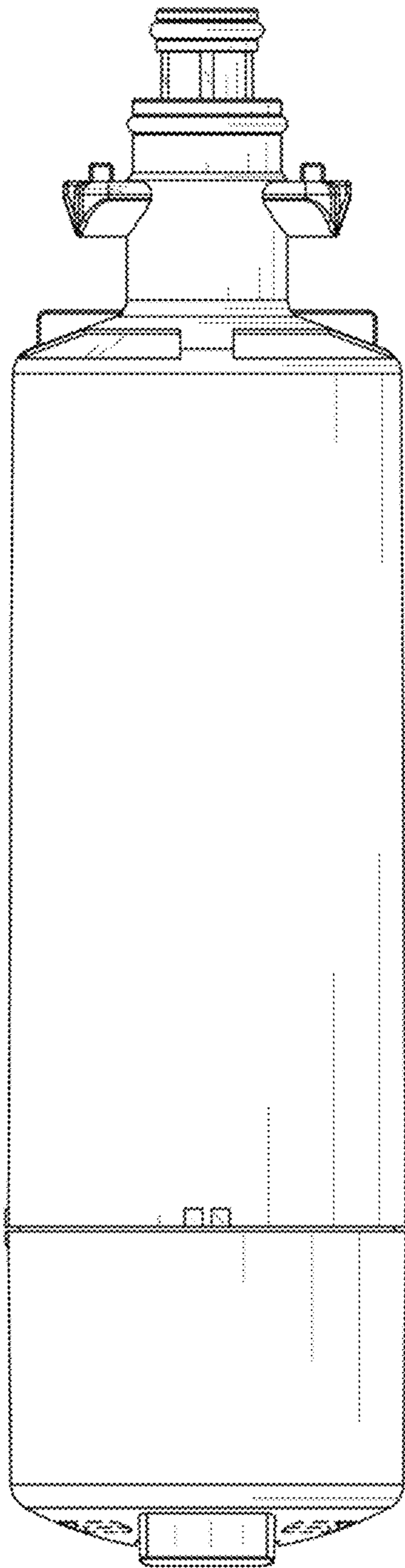


FIG. 3

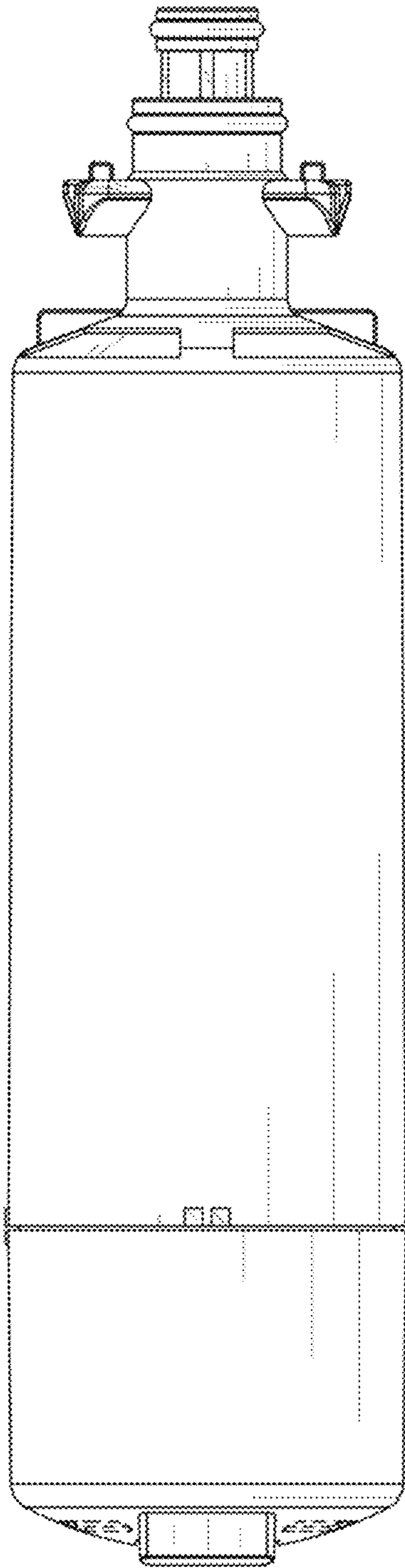


FIG. 4

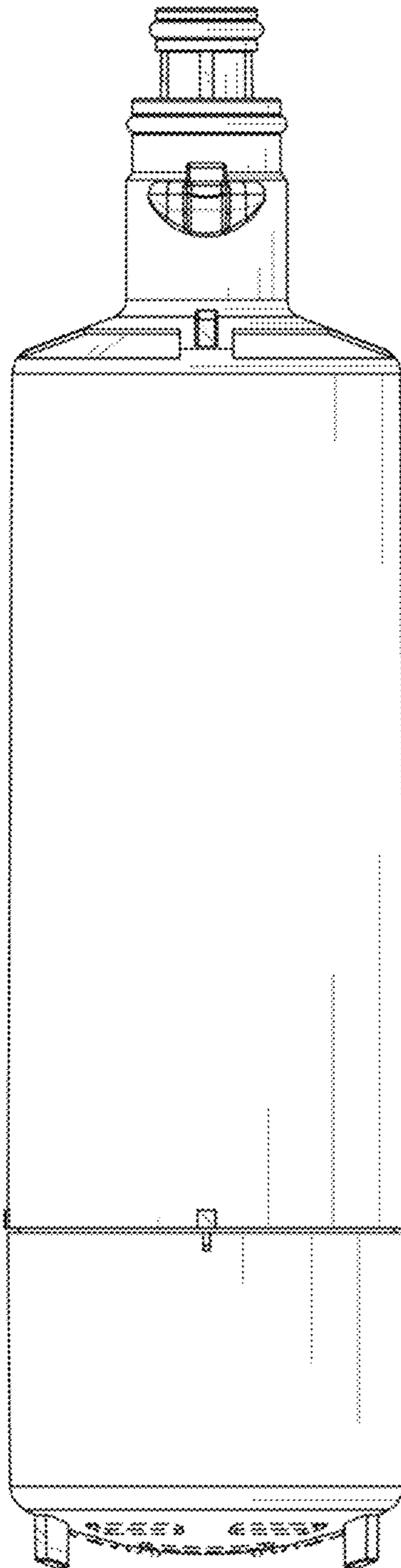


FIG. 5

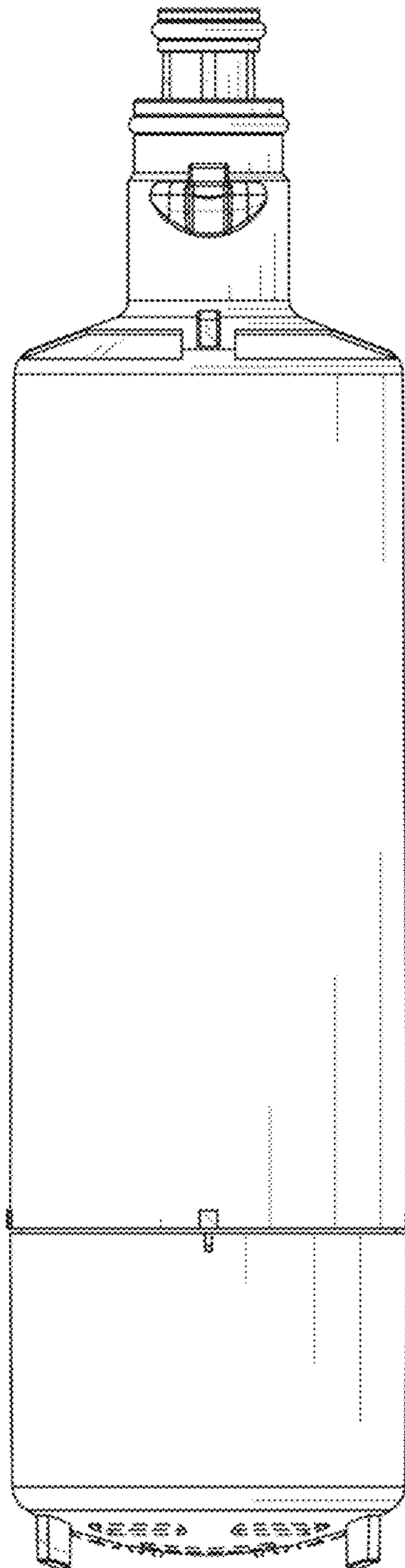


FIG. 6

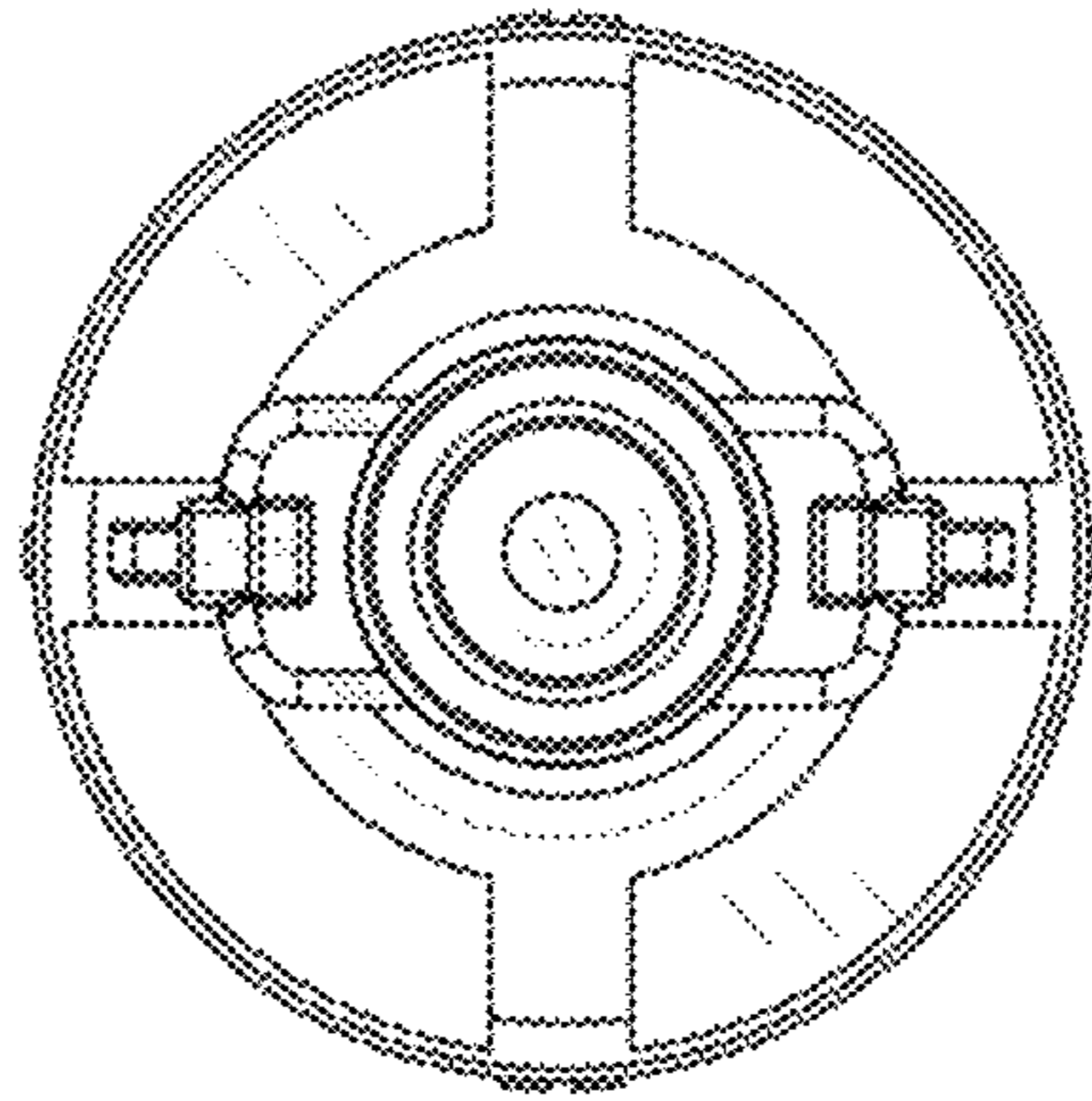


FIG. 7

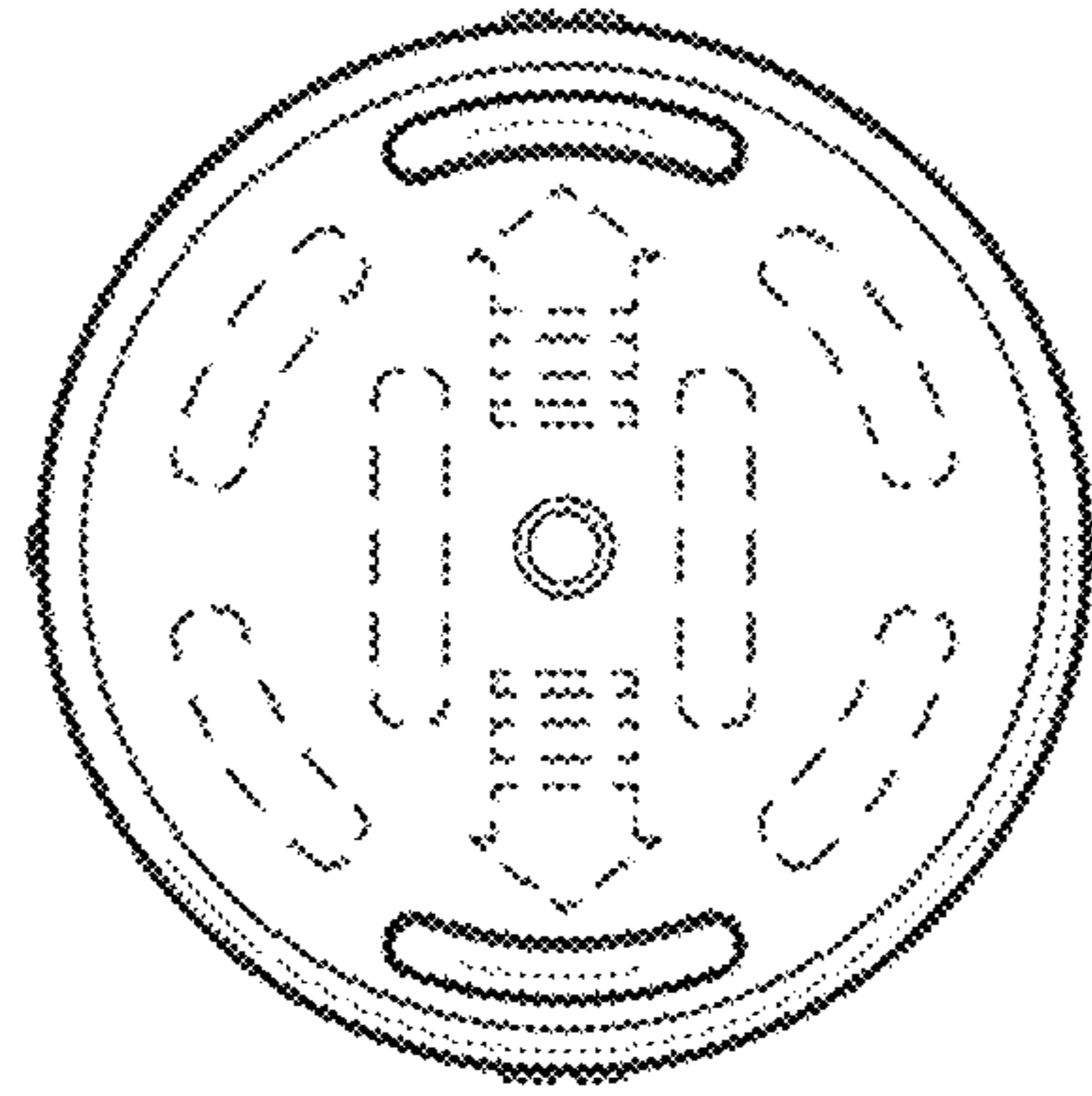


FIG. 8