



US00D929529S

(12) **United States Design Patent**
Barfoot et al.

(10) **Patent No.:** **US D929,529 S**

(45) **Date of Patent:** **** Aug. 31, 2021**

(54) **BACKPACKER FIREARM STOCK**

(71) Applicant: **Magpul Industries Corp.**, Austin, TX (US)

(72) Inventors: **Grady Barfoot**, Denver, CO (US);
Turner Sessions, Lafayette, CO (US)

(73) Assignee: **Magpul Industries Corp.**, Austin, TX (US)

(**) Term: **15 Years**

(21) Appl. No.: **29/712,906**

(22) Filed: **Nov. 12, 2019**

Related U.S. Application Data

(62) Division of application No. 29/683,102, filed on Mar. 11, 2019, now Pat. No. Des. 871,538, which is a (Continued)

(51) **LOC (13) Cl.** **22-01**

(52) **U.S. Cl.**
USPC **D22/108**

(58) **Field of Classification Search**
USPC D22/100, 103, 104, 105, 108-109;
D21/572-575, 401, 461, 567, 568;
124/16, 26, 27, 28, 29, 54, 73-77;
222/78, 79; 42/54, 57, 58, 71.01, 72, 73,
42/74, 75.03, 90; 446/23, 182, 192, 401,
446/403, 405-407, 473, 475

(Continued)

(56) **References Cited**

U.S. PATENT DOCUMENTS

4,385,464 A 5/1983 Casull
4,674,216 A 6/1987 Ruger et al.

(Continued)

OTHER PUBLICATIONS

Eger, Chris, "4 Foldable Submachine Guns", Feb. 8, 2013, p. 9 Retrieved from <http://www.guns.com/2013/02/08/foldable-submachine-guns/>.

(Continued)

Primary Examiner — T Chase Nelson

Assistant Examiner — Jonathan J Han

(74) *Attorney, Agent, or Firm* — Neugeboren O'Dowd PC

(57) **CLAIM**

The ornamental design for a backpacker firearm stock, as shown and described.

DESCRIPTION

FIG. 1 is a front, right, top perspective view of a backpacker firearm stock showing our new design in an extended configuration;

FIG. 2 is a right side elevation view of the backpacker firearm stock of FIG. 1;

FIG. 3 is a left side elevation view of the backpacker firearm stock of FIG. 1;

FIG. 4 is a top view of the backpacker firearm stock of FIG. 1;

FIG. 5 is a bottom view of the backpacker firearm stock of FIG. 1;

FIG. 6 is a front elevation view of the backpacker firearm stock of FIG. 1;

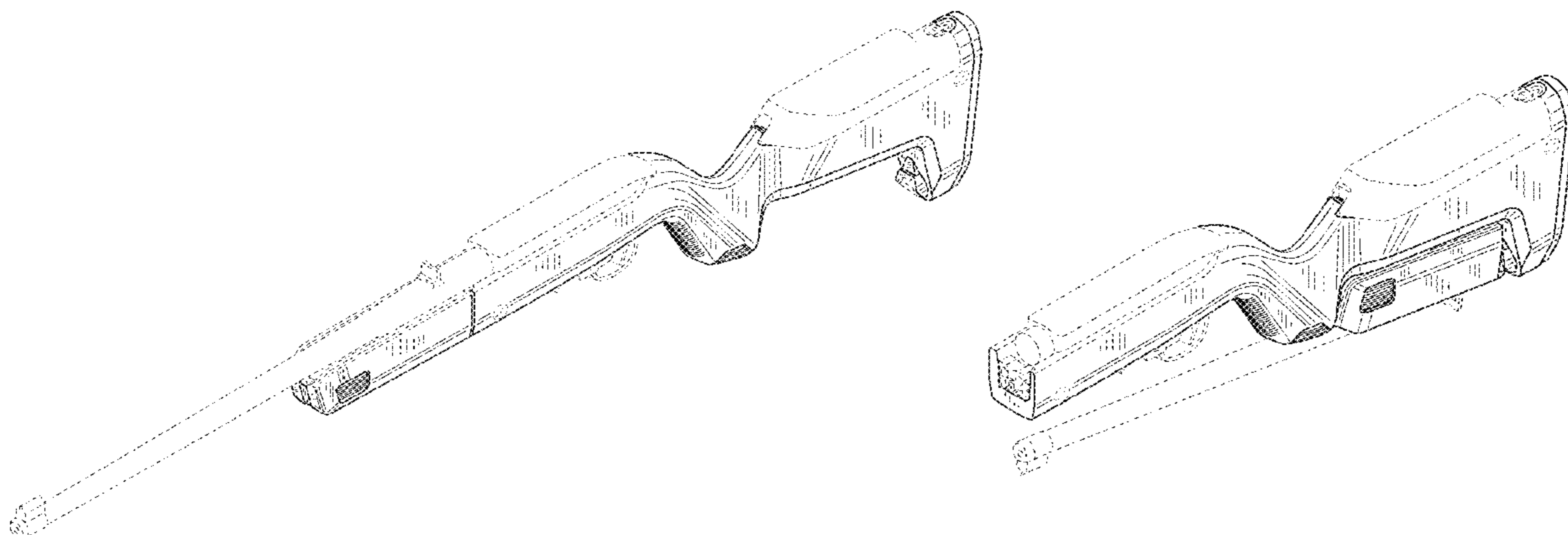
FIG. 7 is a rear elevation view of the backpacker firearm stock of FIG. 1; and,

FIG. 8 is another front, right, top perspective view of the backpacker firearm stock of FIG. 1, but in a stowed configuration.

The shade lines in the Figures show contour and not surface ornamentation.

The broken lines in the Figures show portions of the backpacker firearm stock and environment that form no part of the claimed design.

1 Claim, 7 Drawing Sheets



Related U.S. Application Data

division of application No. 29/590,231, filed on Jan. 9, 2017, now Pat. No. Des. 845,423.

(58) **Field of Classification Search**

CPC F41A 21/30; F41A 21/325; F41C 23/02; F41C 23/04; F41C 23/06; F41C 23/08; F41C 23/10; F41C 23/12; F41C 23/14; F41C 23/16; F41C 23/18; F41C 23/20; F41C 23/22; F41C 7/02; F41C 7/04; F41C 7/06; F41C 7/11; F41C 7/12; F41C 27/00; F41C 27/06

See application file for complete search history.

(56) **References Cited**

U.S. PATENT DOCUMENTS

D297,855 S	9/1988	Ruger et al.	
D304,223 S	10/1989	Ruger et al.	
D631,526 S	1/2011	Torre et al.	
D638,086 S	5/2011	Salva	
D674,027 S	1/2013	Reinagel	
D678,453 S	3/2013	Klotz	
D679,356 S	4/2013	Klotz	
D681,147 S *	4/2013	Barker	D22/103
D692,514 S	10/2013	Vera et al.	
D695,377 S	12/2013	Mayberry et al.	
D700,265 S	2/2014	Mayberry et al.	
D701,283 S	3/2014	Vera et al.	
D712,498 S	9/2014	Du Plooy	
D712,996 S	9/2014	Tresserras Torre	
D717,386 S	11/2014	Moretti	
D721,414 S *	1/2015	Gambill	D22/108
D722,671 S	2/2015	Mayberry et al.	
D725,737 S *	3/2015	Gambill	D22/108
D728,056 S *	4/2015	Gambill	D22/108
D744,055 S	11/2015	Bitz et al.	
9,322,611 B1	4/2016	Barfoot et al.	
D755,323 S	5/2016	Eitan et al.	
D757,885 S	5/2016	Barfoot et al.	
9,429,387 B1	8/2016	Barfoot et al.	
D777,867 S	1/2017	Moretti	
D779,619 S	2/2017	Findlay et al.	
D781,391 S	3/2017	Findlay et al.	
9,612,084 B2	4/2017	Barfoot et al.	
10,094,639 B2	10/2018	Sessions et al.	
10,161,699 B2	12/2018	Sessions et al.	
D844,735 S	4/2019	Barfoot et al.	
D845,423 S	4/2019	Barfoot et al.	
10,345,076 B2 *	7/2019	Fiester	F41C 27/00
D863,488 S *	10/2019	Korth	D22/103
D868,929 S *	12/2019	Barfoot	D22/108
D868,930 S *	12/2019	Barfoot	D22/108
D871,538 S *	12/2019	Barfoot	D22/108
D879,234 S *	3/2020	Barfoot	D22/108
D880,348 S *	4/2020	Kauk	D11/172
D880,641 S *	4/2020	Haugen	D22/108
D880,643 S *	4/2020	Weiss	D22/108
D897,479 S *	9/2020	McLeroy	D22/108
2008/0244951 A1	10/2008	Picard et al.	
2012/0023800 A1 *	2/2012	Laney	F41A 3/58 42/8
2012/0240440 A1 *	9/2012	Phair	F41C 9/08 42/51
2014/0026460 A1	1/2014	Warburton et al.	
2014/0053716 A1	2/2014	Norton	
2014/0360070 A1	12/2014	Hendricks et al.	
2015/0020423 A1	1/2015	Withey	

2015/0192384 A1	7/2015	Ballard	
2015/0316335 A1 *	11/2015	Withey	F41A 19/30 42/16
2017/0122685 A1	5/2017	Kolev et al.	
2018/0003465 A1	1/2018	Sessions et al.	
2018/0080730 A1	3/2018	Cook et al.	
2018/0128561 A1	5/2018	Lesenfants	
2018/0156555 A1	6/2018	Sessions et al.	
2018/0259293 A1	9/2018	Fiester et al.	

OTHER PUBLICATIONS

Bernhardt, Bill, "The 5 Best Takedown Survival Rifles", Apr. 19, 2017, p. 3 Publisher: Retrieved from <http://www.survivaldispatch.com/the-5-best-takedown-survival-rifles/>.

American Rifleman Staff, "Magpul X-22 Backpacker Stock for Ruger 10/22 Takedown Rifles", Aug. 31, 2017, p. 6 Retrieved from <https://www.americanrifleman.org/articles/2017/8/31/magpul-x-22-backpacker-stock-for-ruger-1022-takedown-ri>.

Chiappa Firearms, "Chiappa M6 Folding Shotgun/Rifle", Known to exist as early as Feb. 9, 2016, p. 21, "Retrieved from <https://www.chiappafirearms.com/p.php?id=213>".

Magpul Technologies Corp., "Hunter X-22 Takedown Stock—Ruger 10/22 Takedown", "Known to exist as early as May 22, 2018", p. 4, Retrieved from <https://www.magpul.com/products/hunter-x-22-takedown-stock-ruger-10-22-takedown>.

Kel Tec Weapons, "Products Page", Known to exist as early as Feb. 9, 2016, p. 8, "Retrieved from <https://www.keltecweapons.com/>".

Magpul, "Magpul FMG9 (Folding Machine Gun) Featured on Discovery Channel's Ultimate Weapons", Aug. 26, 2009, p. 4, "Retrieved from <https://www.youtube.com/watch?v=pY2EqFzPzn8>".

Magpul Industries, "Product Page For X-22 Backpacker Stock—Ruger 10/22 Takedown", Feb. 17, 2017, p. 9, Retrieved from <https://www.magpul.com/products/x-22-backpacker-stock-ruger-10-22-takedown>.

Marlin Firearms, "Model 70PSS (Take Down)", Known to exist as early as Feb. 9, 2016, p. 2, "Retrieved from <https://www.marlinfirearms.com/rimfire/model-795/model-70pss-take-down>".

American Rifleman Staff, "Savage Arms Introduces Model 42 Takedown Series", Jan. 4, 2016, p. 2, Retrieved from <https://www.americanrifleman.org/articles/2016/1/4/savage-arms-introduces-model-42-takedown-series/>.

Nemesis Arms, Inc., "Vanquish Multi-Caliber", Known to exist as early as Feb. 9, 2016, p. 1, "Retrieved from http://www.nemesisarms.com/nemesis_vanquish.html".

Eger, Chris, "Remington Model 8: Brownings Semi-Auto Sporting Rifle", Sep. 30, 2015, p. 7, "Retrieved from <http://www.guns.com/2015/09/30/remington-model-8-browning-semi-automatic-sporting-rifle/>".

Church, A.K., "Springfield Armory M-6 Scout Survival Gun", Aug. 6, 2003, p. 15, "Retrieved from <http://www.milesfortis.us/church/akc13.htm>".

The Arms Room, LLC, "Marlin Takedown Lever Actions—Achieve Tactical Superiority", Known to exist as early as Feb. 9, 2016, p. 4, "Retrieved from <http://www.thearmsroom.com/id3.html>".

Henry Repeating Arms, "U.S. Survival AR-7 Rifle", Known to exist as early as Feb. 9, 2016, p. 4, "Retrieved from <https://www.henryusa.com/rifles/u-s-survival-ar-7/>".

Magpul Technologies Corp, "Magpul—X-22 Backpacker Stock", Jan. 10, 2017, p. 1, Retrieved from <https://www.youtube.com/watch?v=I6npd2WbJTW>.

ZRUS Outdoors Channel, youtube.com, "Magpul X-22 Backpacker Review Must Have", Jun. 1, 2017, p. 1, Publisher: Downloaded from <https://www.youtube.com/watch?v=fLp05WzLcLc>.

* cited by examiner

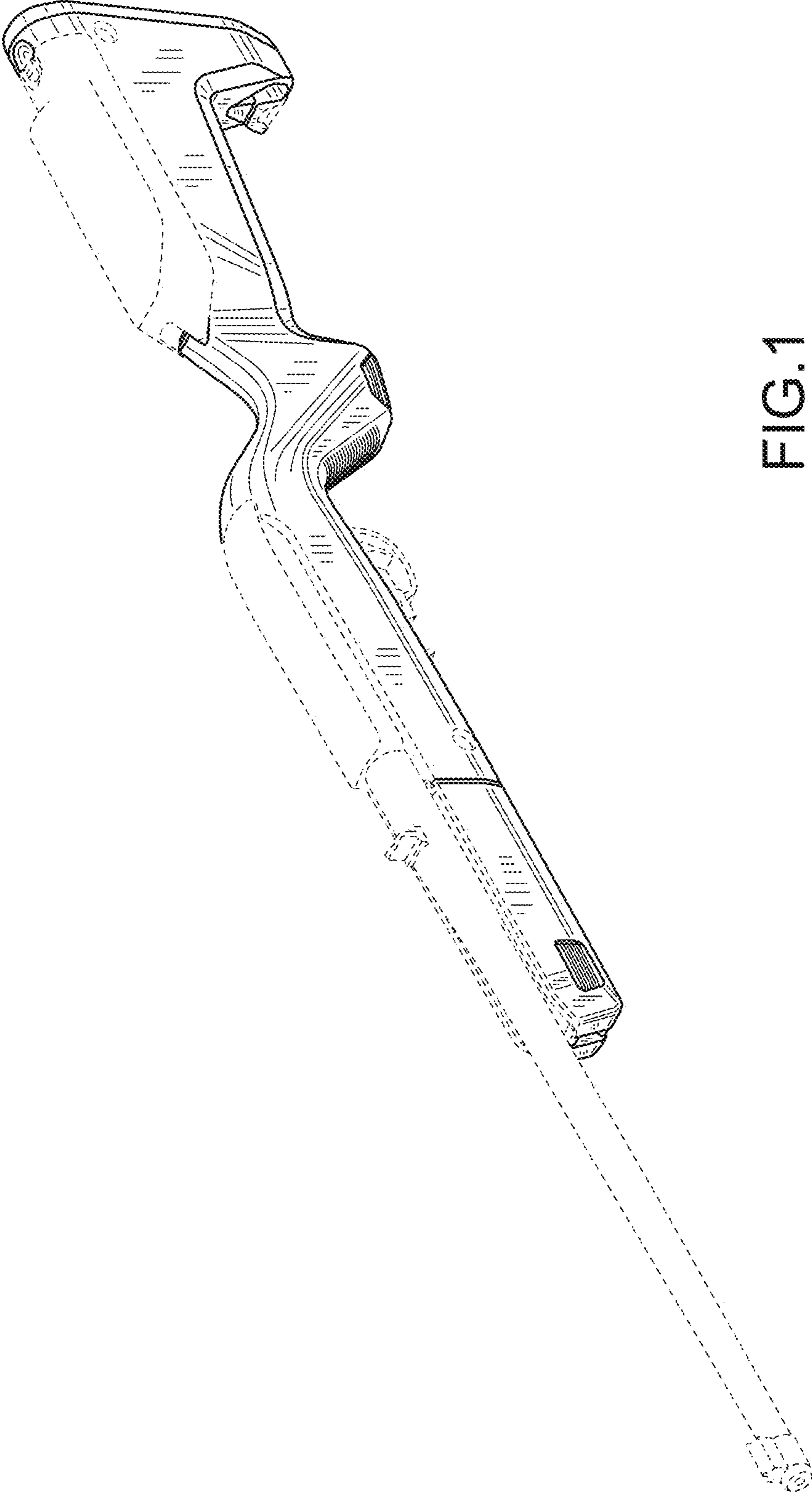


FIG. 1

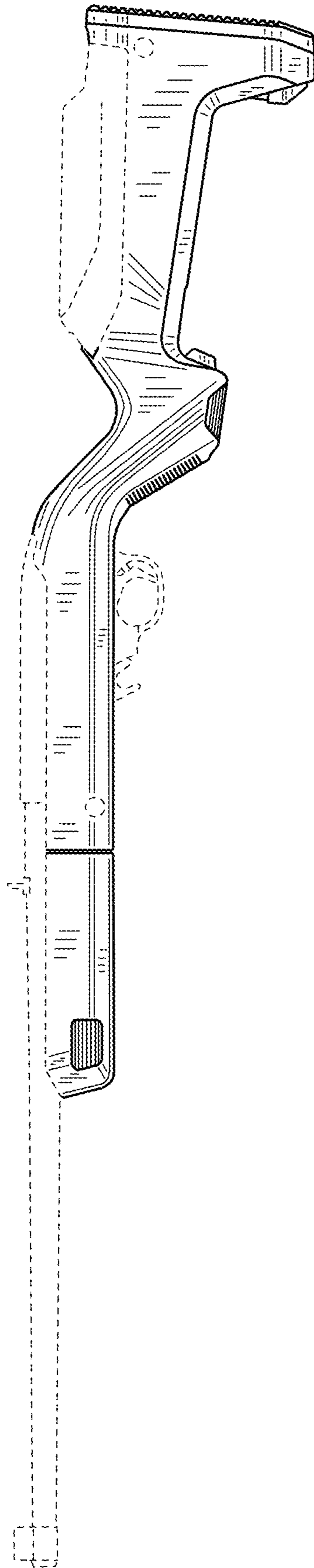


FIG. 2

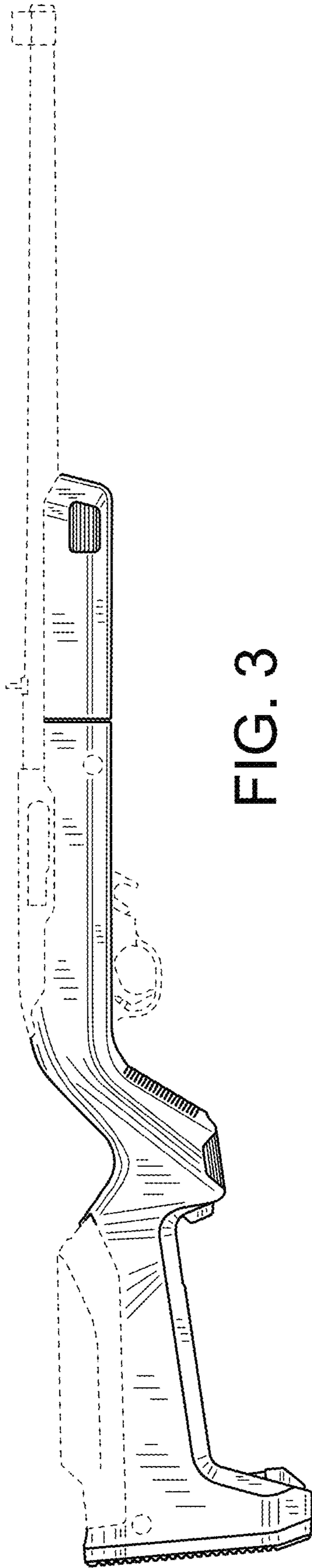


FIG. 3



FIG.4



FIG.5

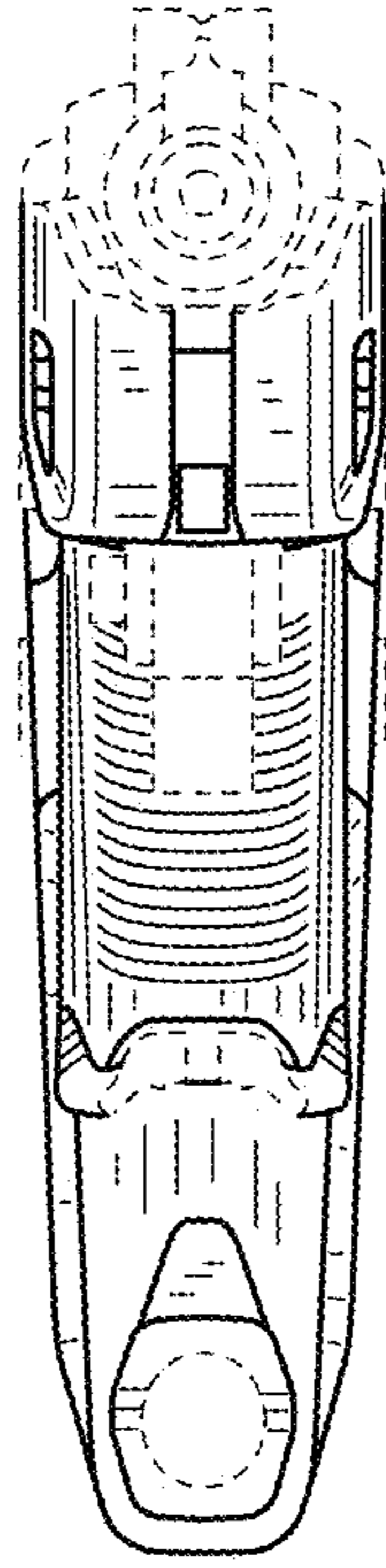


FIG. 6

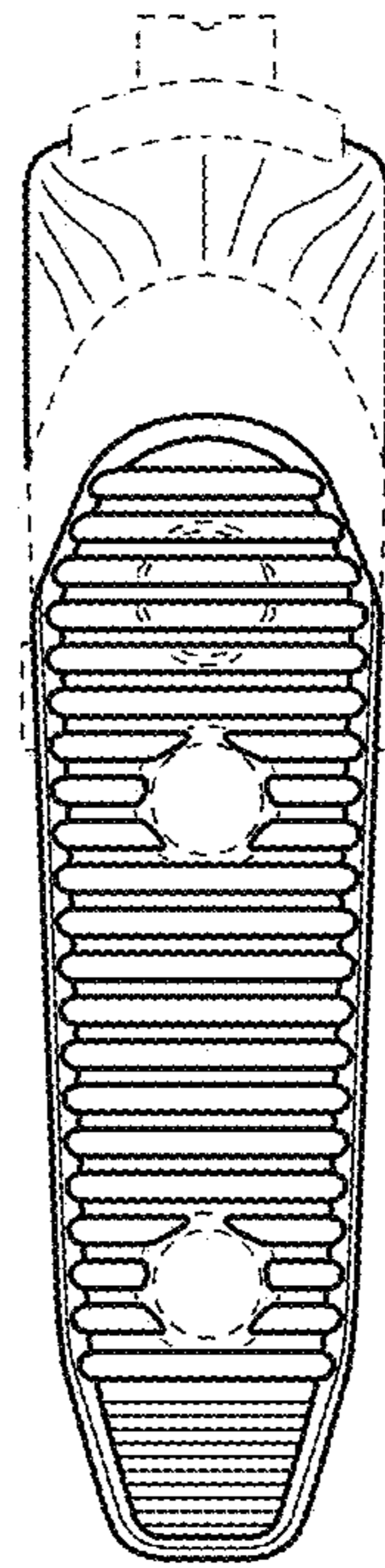


FIG. 7

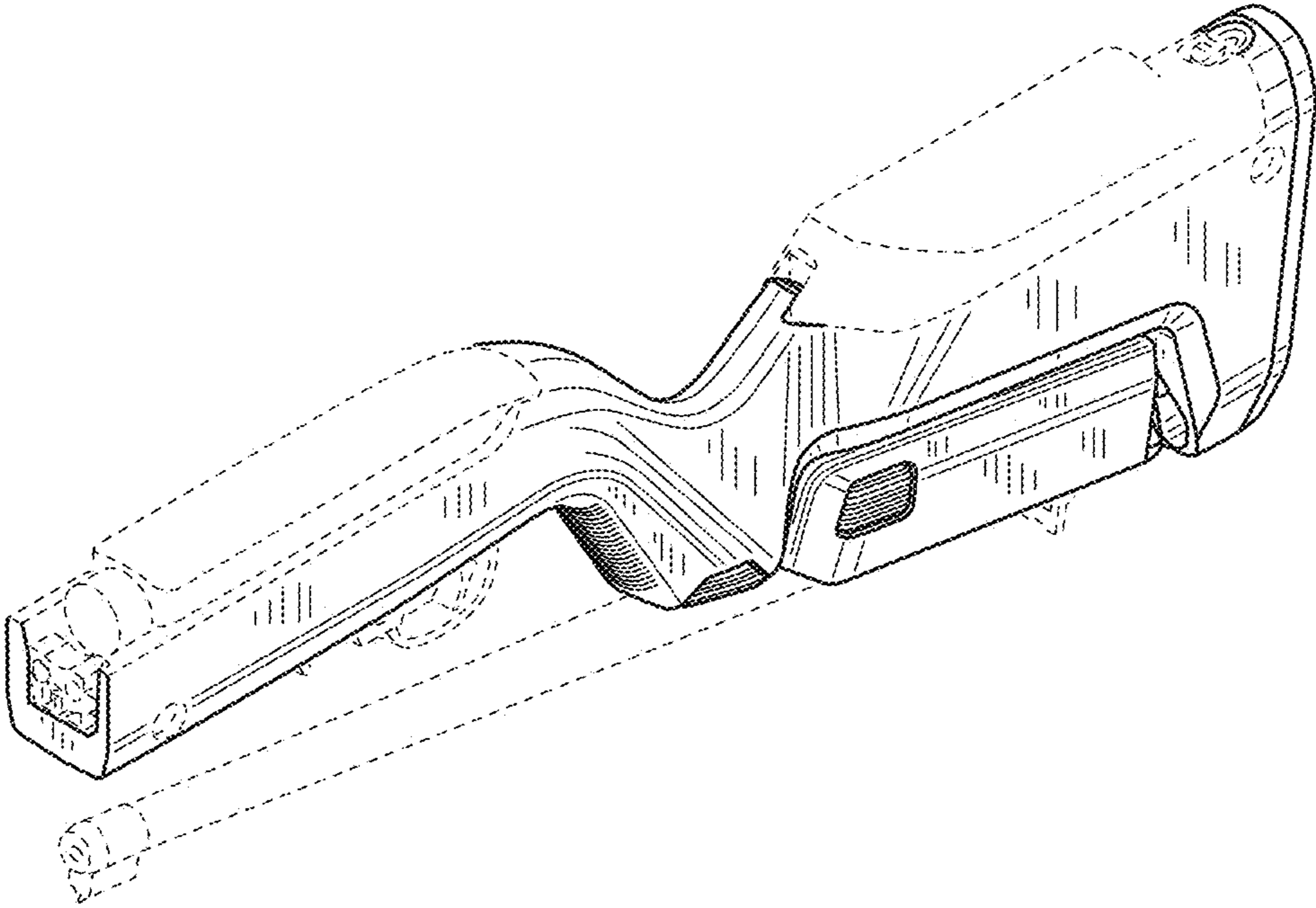


FIG.8