



US00D929520S

(12) **United States Design Patent** (10) **Patent No.:** **US D929,520 S**
Jacobson et al. (45) **Date of Patent:** **** *Aug. 31, 2021**

- (54) **IRON GOLF CLUB HEAD**
- (71) Applicant: **Acushnet Company**, Fairhaven, MA (US)
- (72) Inventors: **Vincent Jacobson**, Murrieta, CA (US); **Jason A. Mata**, Carlsbad, CA (US)
- (73) Assignee: **Acushnet Company**, Fairhaven, MA (US)
- (*) Notice: This patent is subject to a terminal disclaimer.
- (**) Term: **15 Years**
- (21) Appl. No.: **29/705,623**
- (22) Filed: **Sep. 13, 2019**

D279,022 S *	5/1985	Worster	D21/749
D371,182 S *	6/1996	Stites	D21/749
D441,821 S *	5/2001	Turner	D21/747
D479,568 S *	9/2003	Rodgers	D21/747
D492,376 S *	6/2004	Nicolette	D21/747
D503,204 S *	3/2005	Nicolette	D21/749
7,207,900 B2 *	4/2007	Nicolette	A63B 60/02 473/334
D572,327 S *	7/2008	Diaz	D21/759
D584,371 S *	1/2009	Chick	D21/759
D587,327 S *	2/2009	Ines	D21/747
D606,607 S *	12/2009	Cooper	D21/759
D716,391 S *	10/2014	Roche	D21/759
D719,627 S *	12/2014	Wieland	D21/759
D762,793 S *	8/2016	Takechi	D21/759
D858,667 S *	9/2019	Marukawa	D21/747
D861,095 S *	9/2019	Wolfe	D21/759
D863,481 S *	10/2019	Shimahara	D21/759
D886,927 S *	6/2020	Milleman	D21/747
D888,172 S *	6/2020	Stokke	D21/747
D894,301 S *	8/2020	Parsons	D21/747
D896,904 S *	9/2020	Chun	D21/747

(Continued)

Related U.S. Application Data

- (63) Continuation-in-part of application No. 29/695,496, filed on Jun. 19, 2019, now Pat. No. Des. 900,262.
- (51) **LOC (13) Cl.** **21-02**
- (52) **U.S. Cl.**
USPC **D21/747**
- (58) **Field of Classification Search**
USPC D21/747-751, 759
CPC A63B 53/00; A63B 53/02; A63B 53/04;
A63B 53/047; A63B 53/0475; A63B
2053/0479; A63B 2053/0483; A63B
2053/0445; A63B 60/00; A63B 60/46
See application file for complete search history.

(56) **References Cited**

U.S. PATENT DOCUMENTS

D115,216 S *	6/1939	Newsome	D21/748
D179,816 S *	3/1957	Penna	D21/751
D225,123 S *	11/1972	Viero et al.	D21/749
D268,856 S *	5/1983	Fisher	D21/749

Primary Examiner — Mitchell I. Siegel

(74) *Attorney, Agent, or Firm* — Randy K. Chang

(57) **CLAIM**

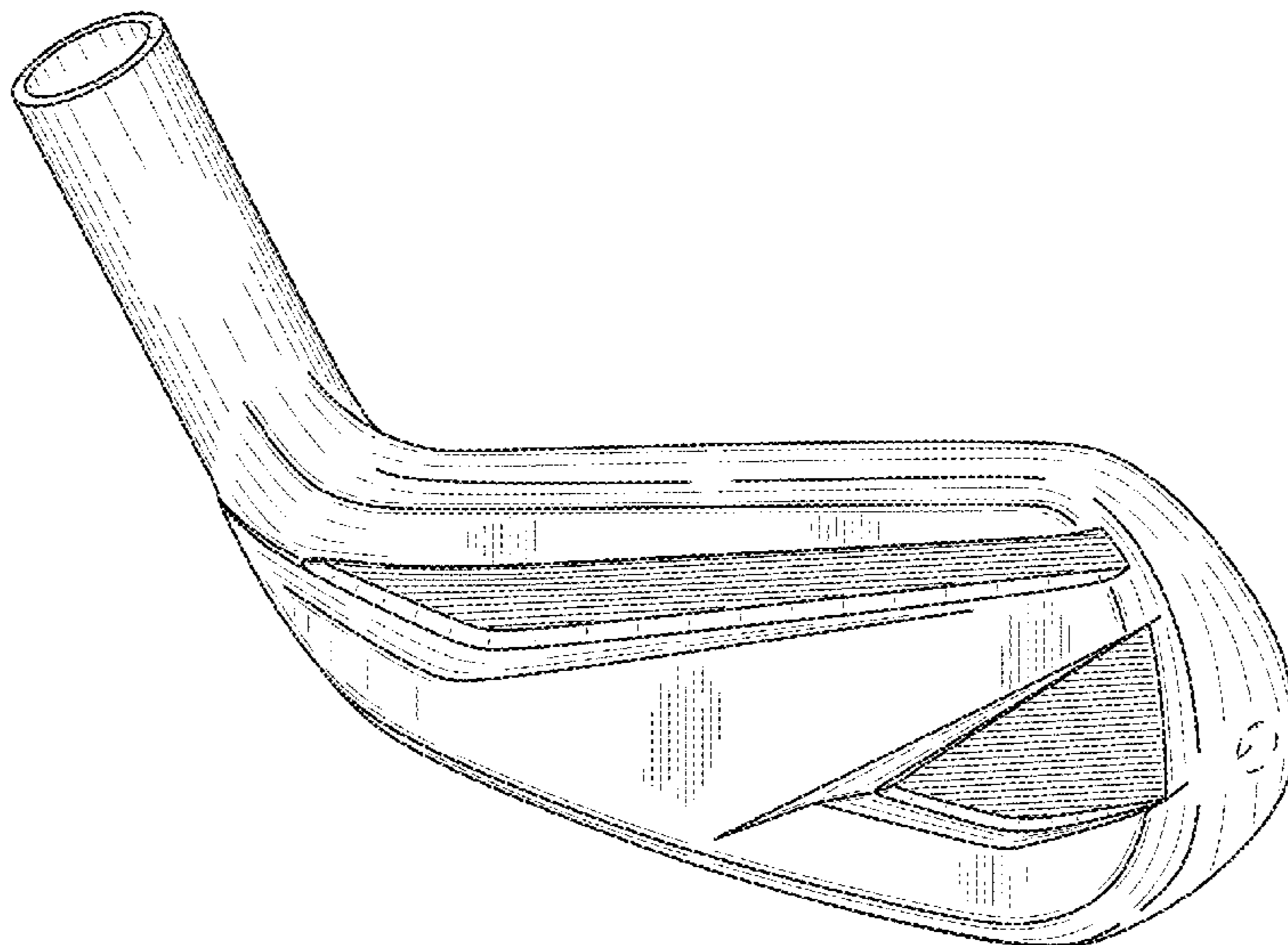
The ornamental design for iron golf club head, as shown and described.

DESCRIPTION

FIG. 1 is a perspective rear view of an iron golf club head showing our design;
 FIG. 2 is a toe end view thereof;
 FIG. 3 is a top plan view thereof;
 FIG. 4 is a rear elevational view thereof;
 FIG. 5 is a bottom plan view thereof;
 FIG. 6 is a front elevation view thereof; and,
 FIG. 7 is a heel end view thereof.

The broken lines in the figures show portions of the iron golf club head that form no part of the claimed design.

1 Claim, 3 Drawing Sheets



(56)

References Cited

U.S. PATENT DOCUMENTS

D900,259 S * 10/2020 Wolfe D21/747
D900,262 S * 10/2020 Jacobson D21/747
2007/0117653 A1* 5/2007 Yoneyama A63B 53/047
473/350

* cited by examiner

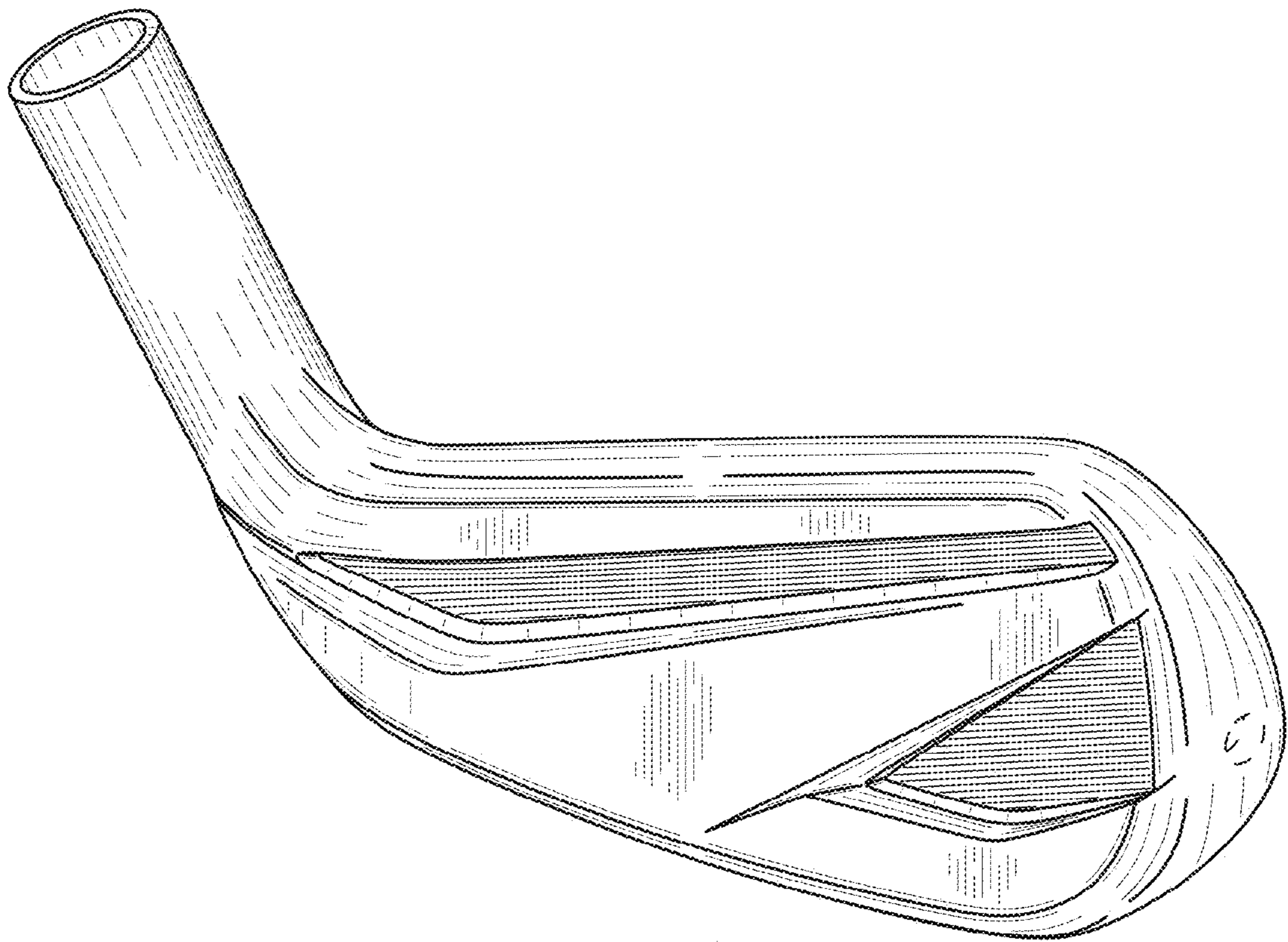


FIG. 1

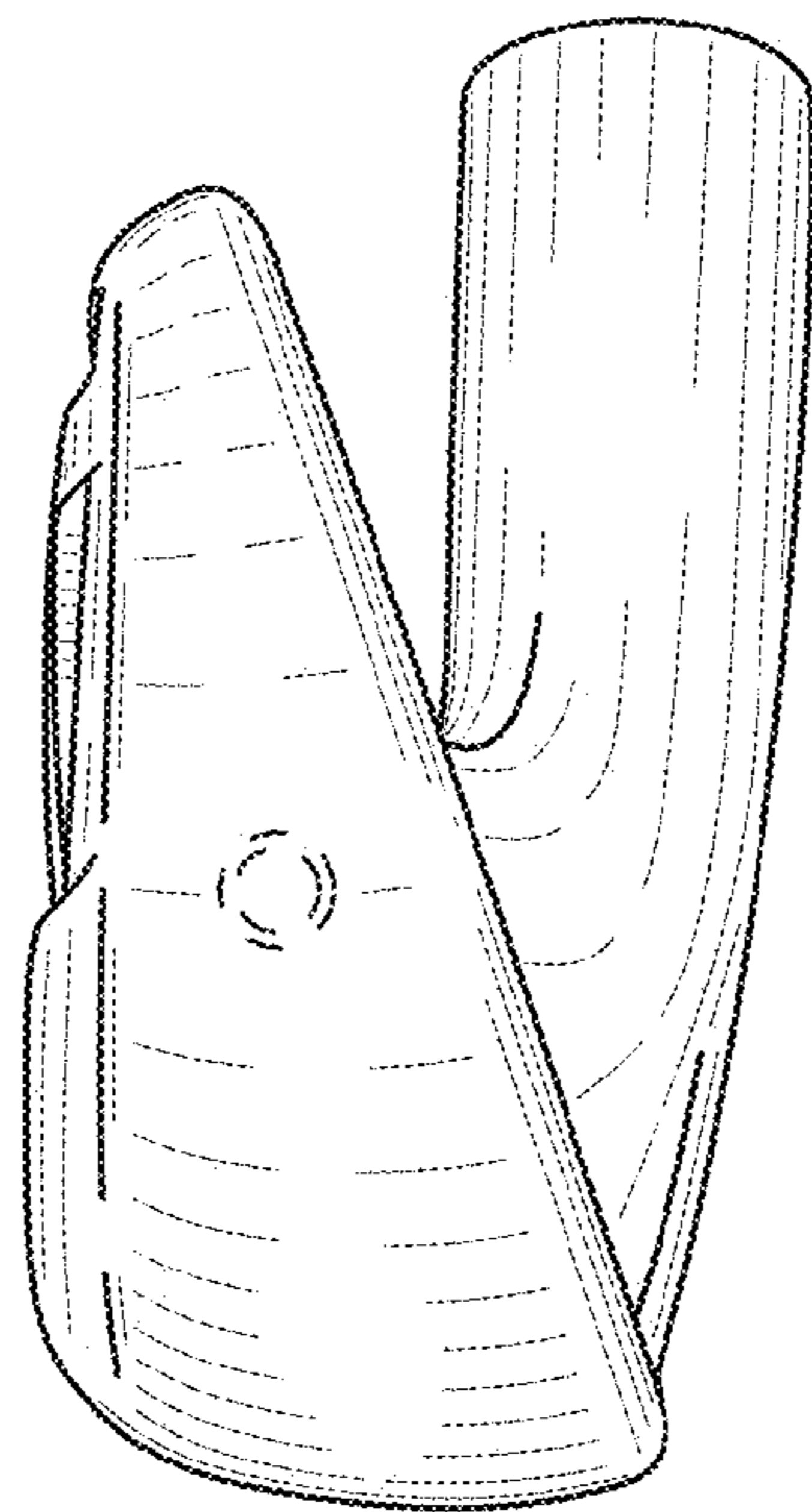


FIG. 2

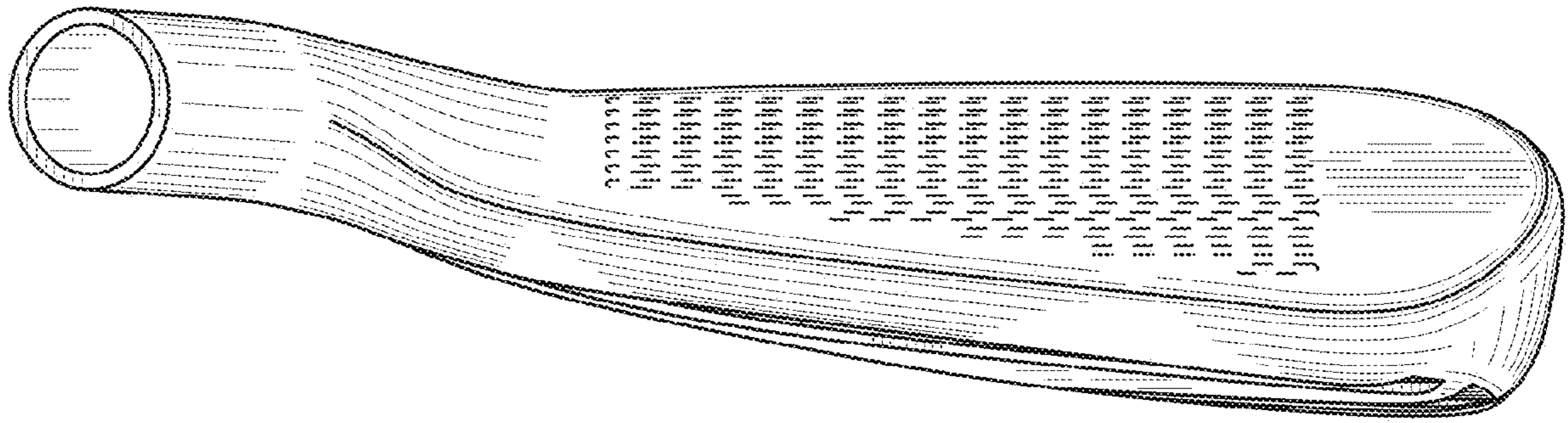


FIG. 3

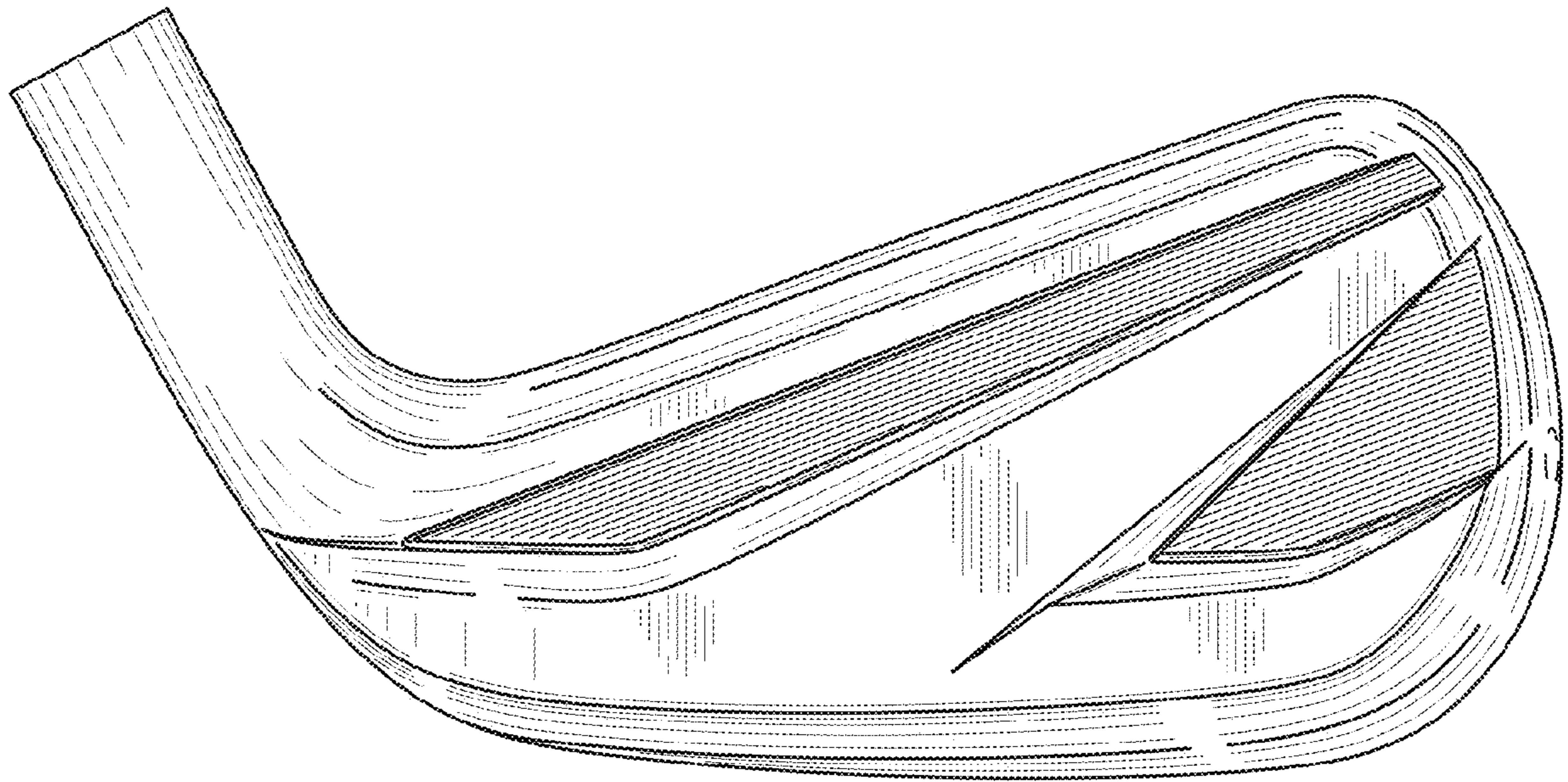


FIG. 4

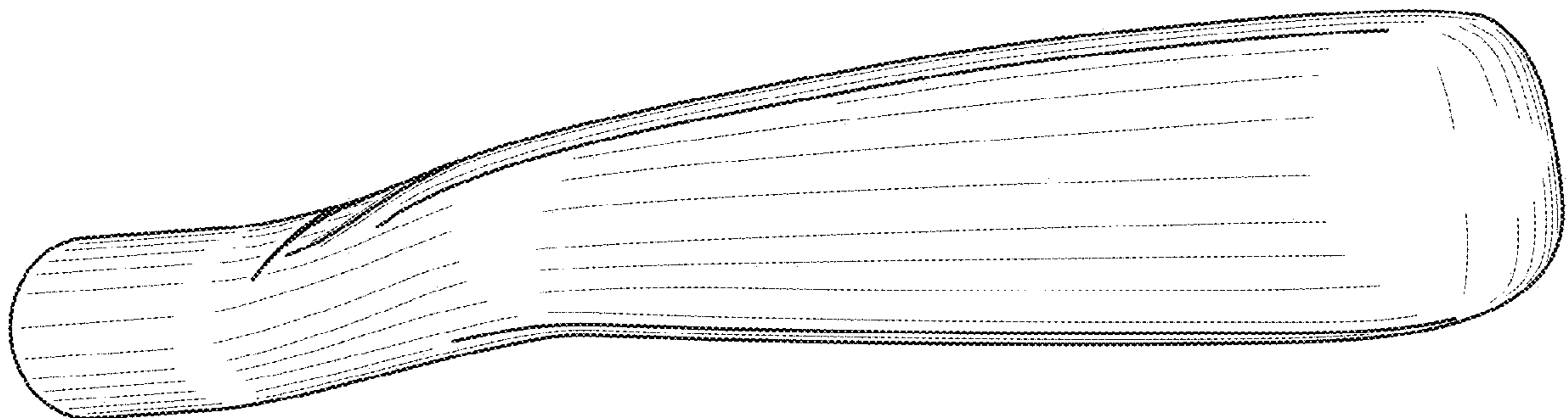


FIG. 5

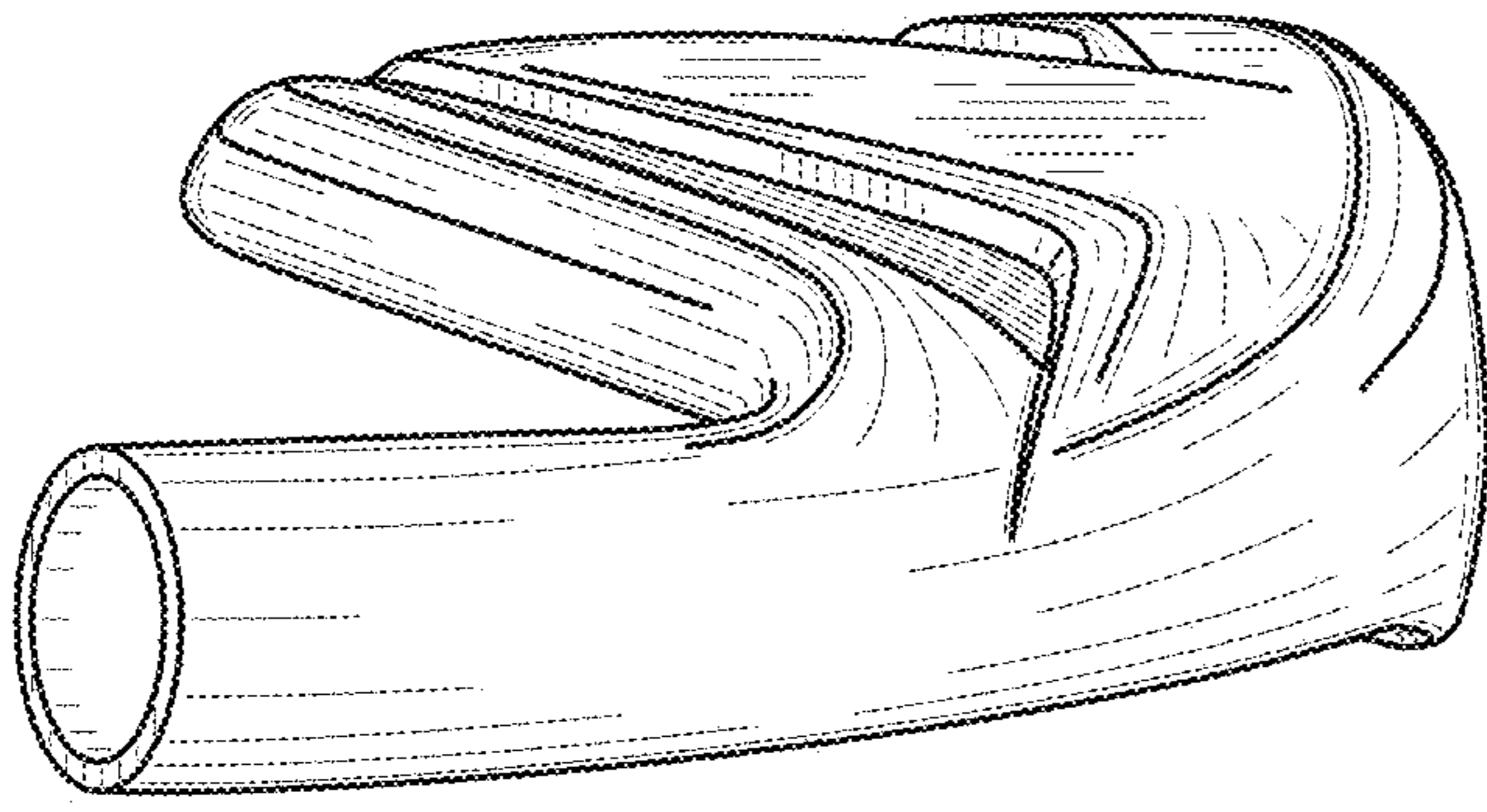


FIG. 7

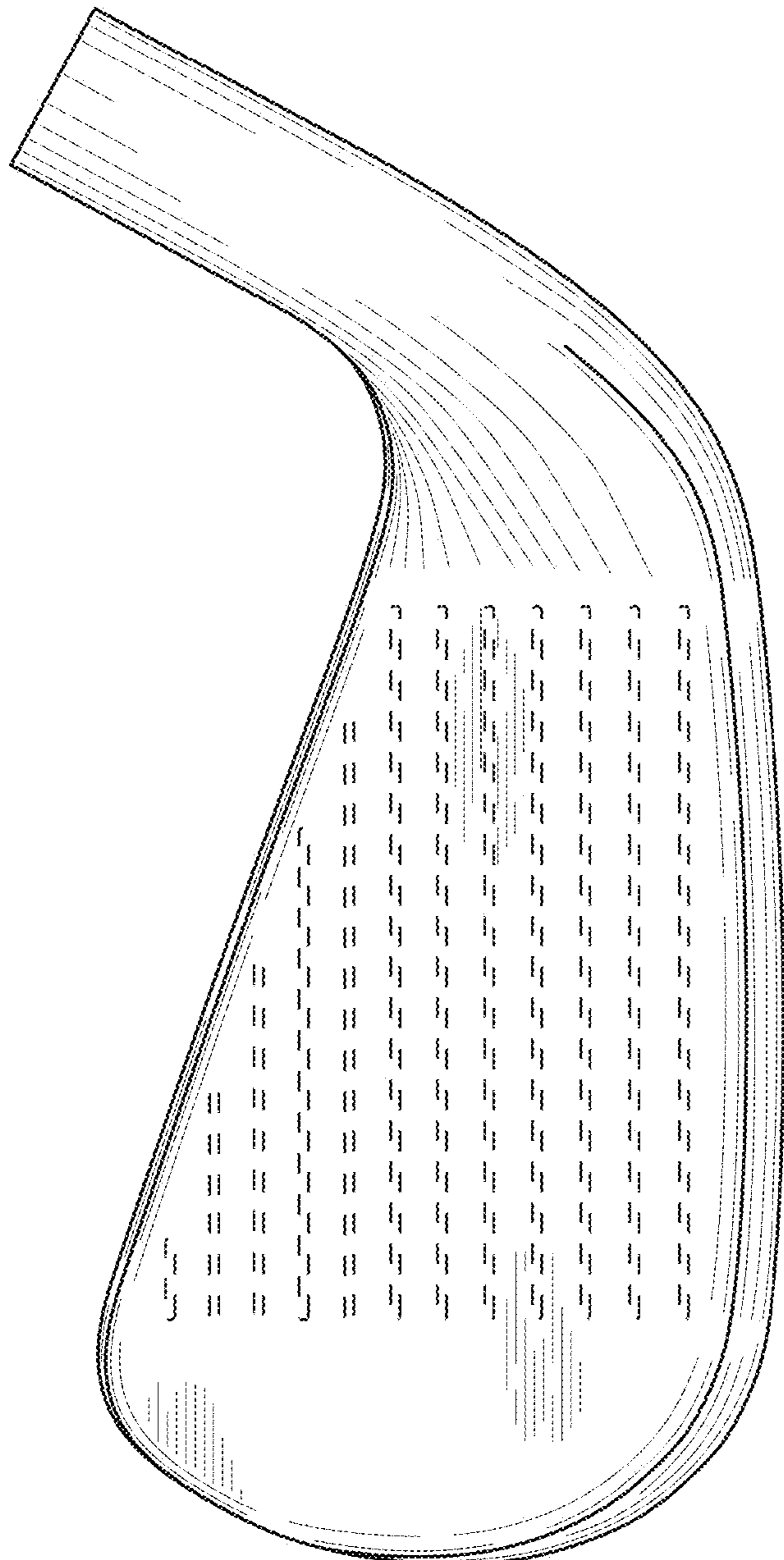


FIG. 6