



US00D929519S

(12) **United States Design Patent**
Agrella

(10) **Patent No.:** **US D929,519 S**

(45) **Date of Patent:** **** Aug. 31, 2021**

(54) **GOLF CLUB HEAD**

(71) Applicant: **SUMITOMO RUBBER INDUSTRIES, LTD.**, Kobe (JP)

(72) Inventor: **Alexandra Agrella**, Huntington Beach, CA (US)

(73) Assignee: **SUMITOMO RUBBER INDUSTRIES, LTD.**, Kobe (JP)

(**) Term: **15 Years**

(21) Appl. No.: **29/731,321**

(22) Filed: **Apr. 14, 2020**

(51) **LOC (13) Cl.** **21-02**

(52) **U.S. Cl.**
USPC **D21/744**

(58) **Field of Classification Search**
USPC D21/736-746, 759
CPC A63B 53/00; A63B 53/04; A63B 53/007;
A63B 53/065; A63B 53/0487; A63B
60/00; A63B 60/46
See application file for complete search history.

(56) **References Cited**

U.S. PATENT DOCUMENTS

D777,268 S * 1/2017 Becktor D21/742
D826,353 S * 8/2018 Cameron D21/736

D835,218 S * 12/2018 Rollinson D21/743
D844,724 S * 4/2019 Wang D21/743
D845,411 S * 4/2019 Cameron D21/742
D875,195 S * 2/2020 Serrano D21/743
D895,747 S * 9/2020 Rollinson D21/743
D912,175 S * 3/2021 Toulon D21/743
D912,176 S * 3/2021 Toulon D21/743

* cited by examiner

Primary Examiner — Mitchell I. Siegel

(74) *Attorney, Agent, or Firm* — Oliff PLC

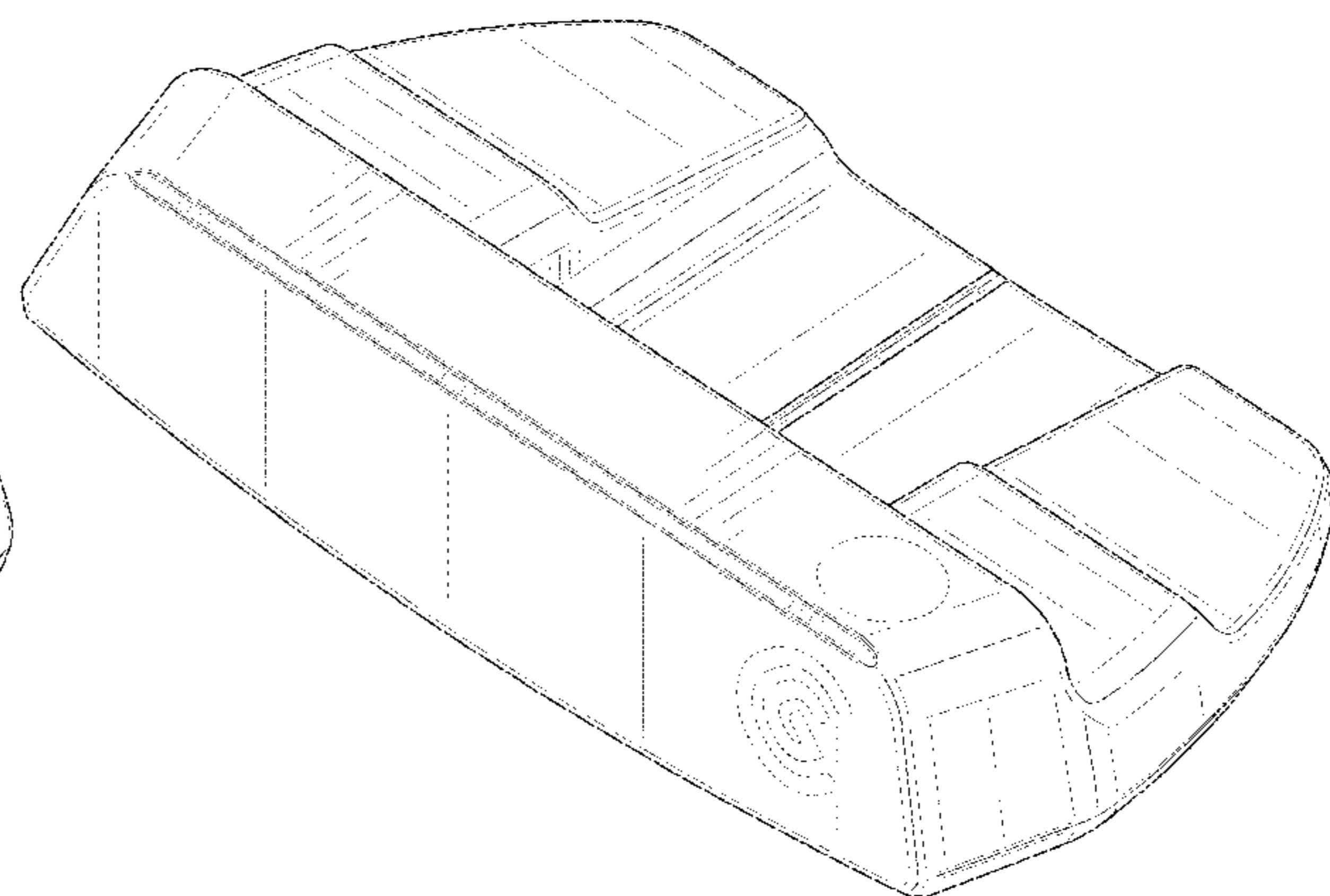
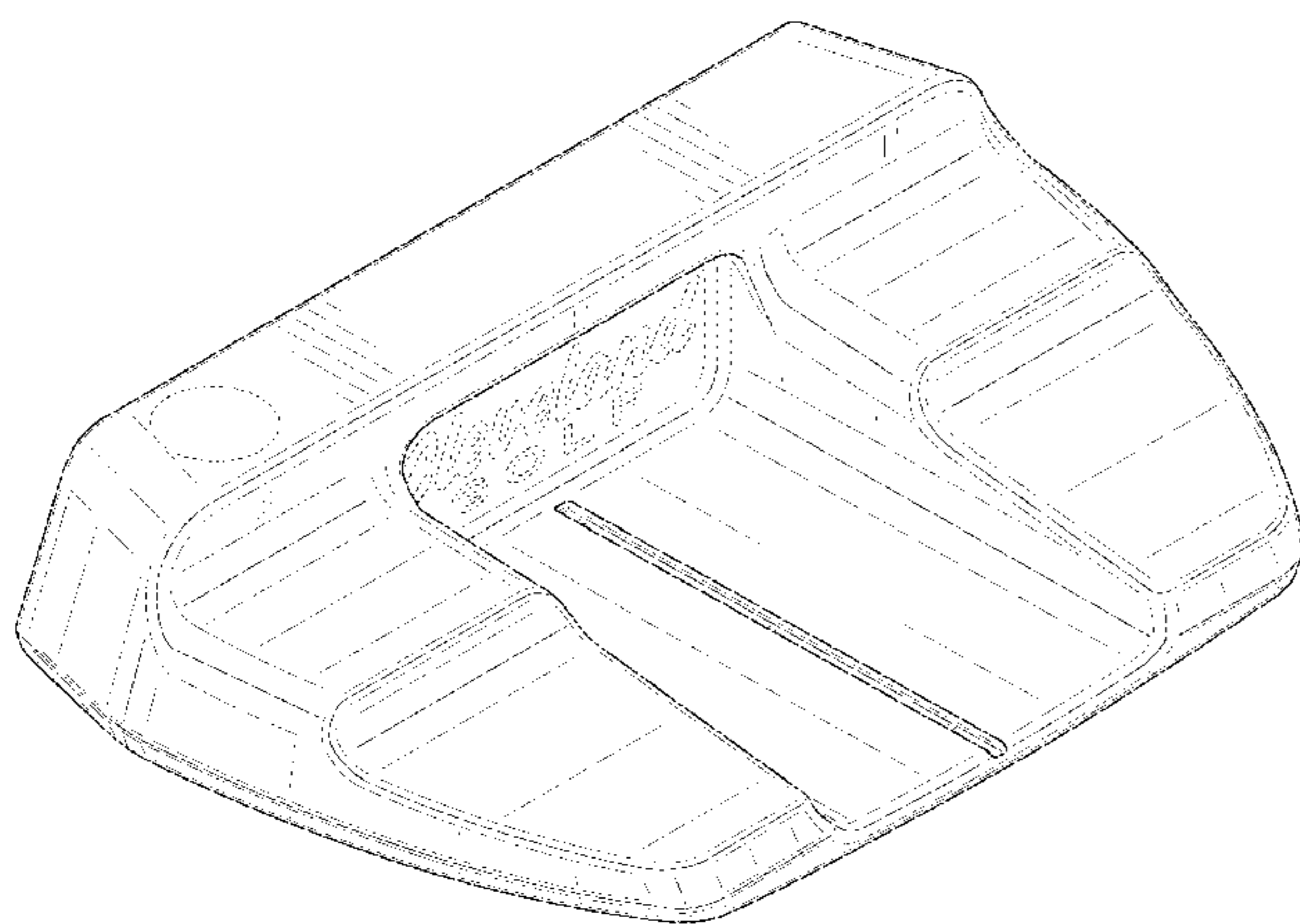
(57) **CLAIM**

The ornamental design for a golf club head, as shown and described.

DESCRIPTION

FIG. 1 is a rear, heel-side, top perspective view of the golf club head, showing the new design;
FIG. 2 is a rear elevational view thereof;
FIG. 3 is a front elevational view thereof;
FIG. 4 is a heel-side elevational view thereof;
FIG. 5 is a toe-side elevational view thereof;
FIG. 6 is a top plan view thereof;
FIG. 7 is a bottom plan view thereof; and,
FIG. 8 is a front, heel-side, top perspective view thereof.
The broken lines depict parts of the golf club head that form no part of the claimed design.

1 Claim, 8 Drawing Sheets



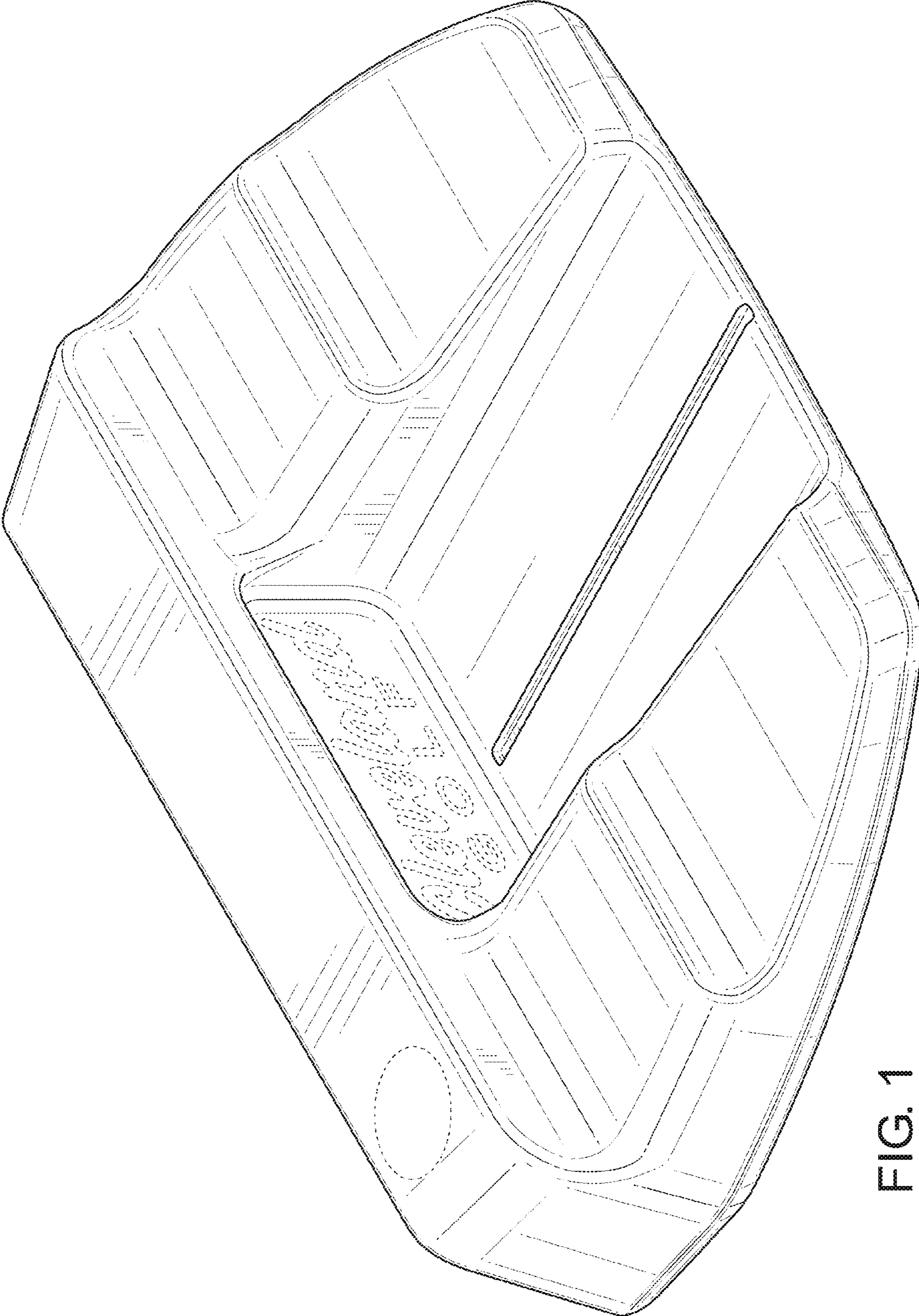


FIG. 1

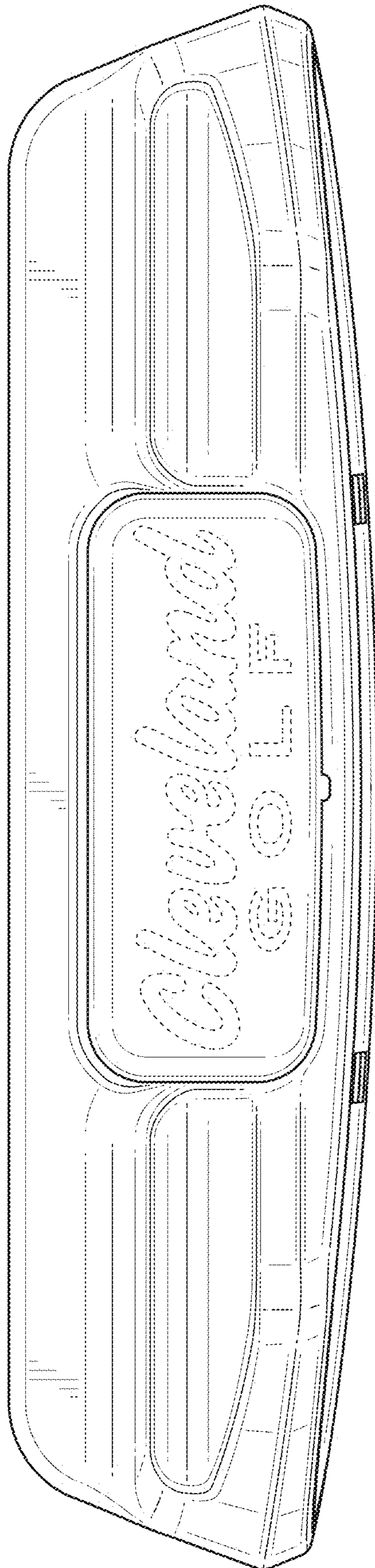


FIG. 2

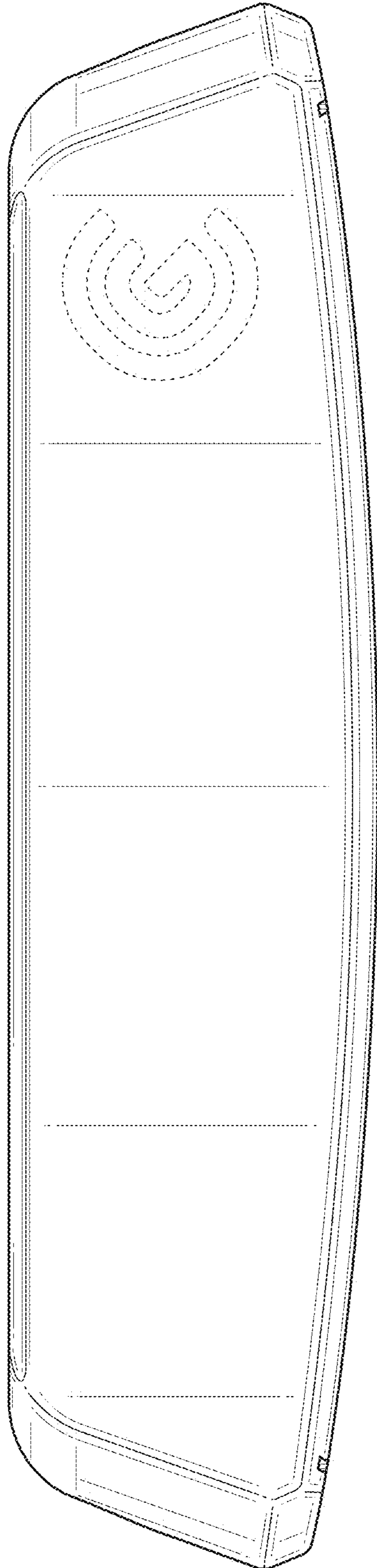


FIG. 3

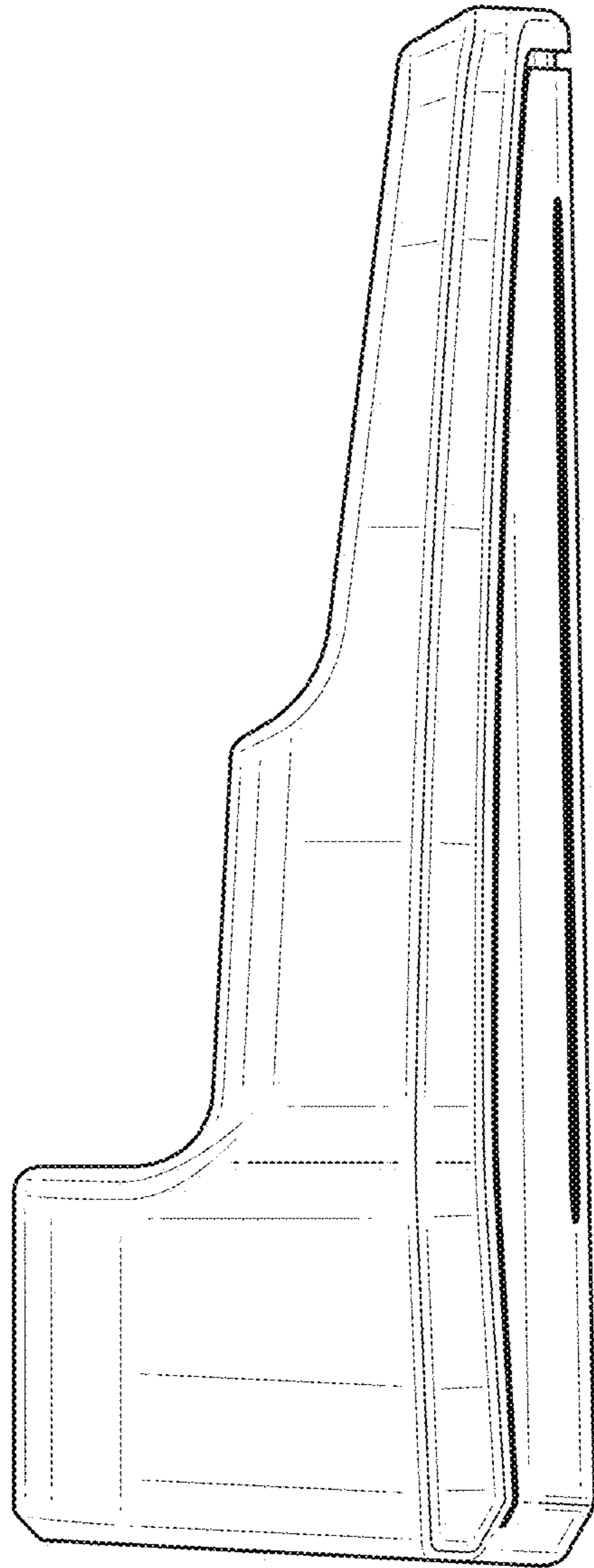


FIG. 4

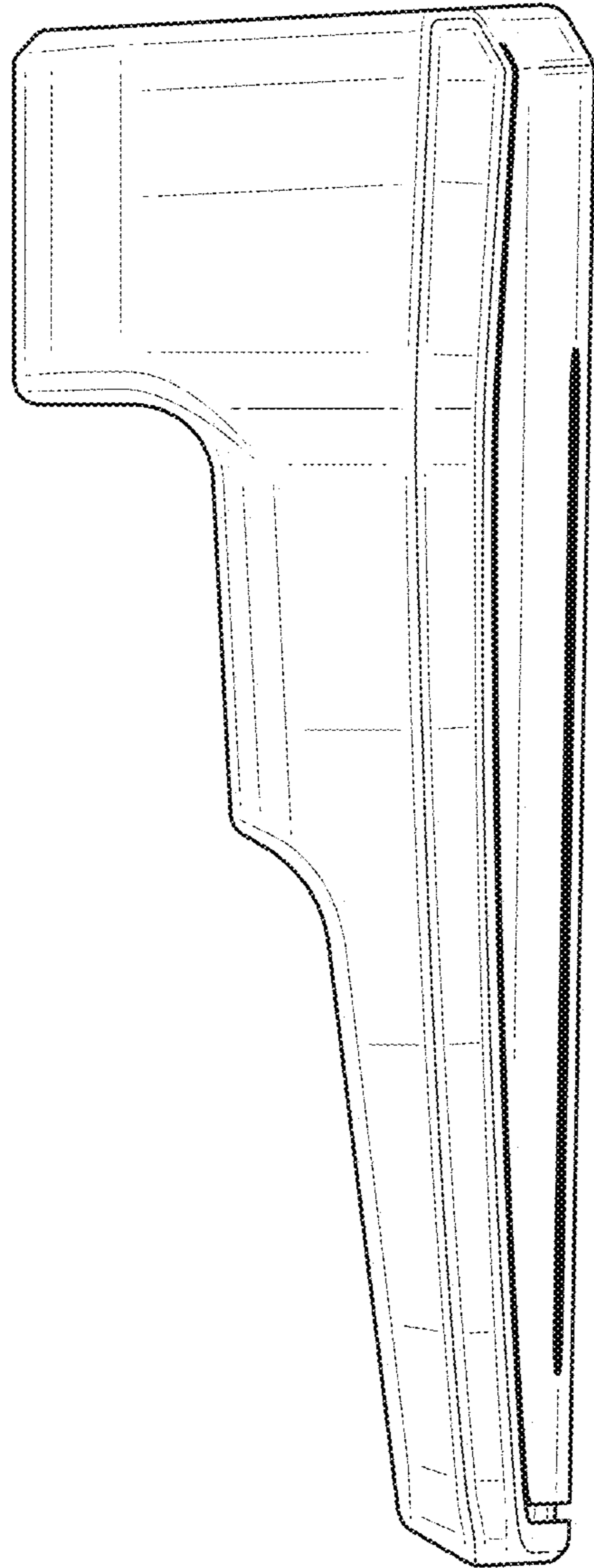


FIG. 5

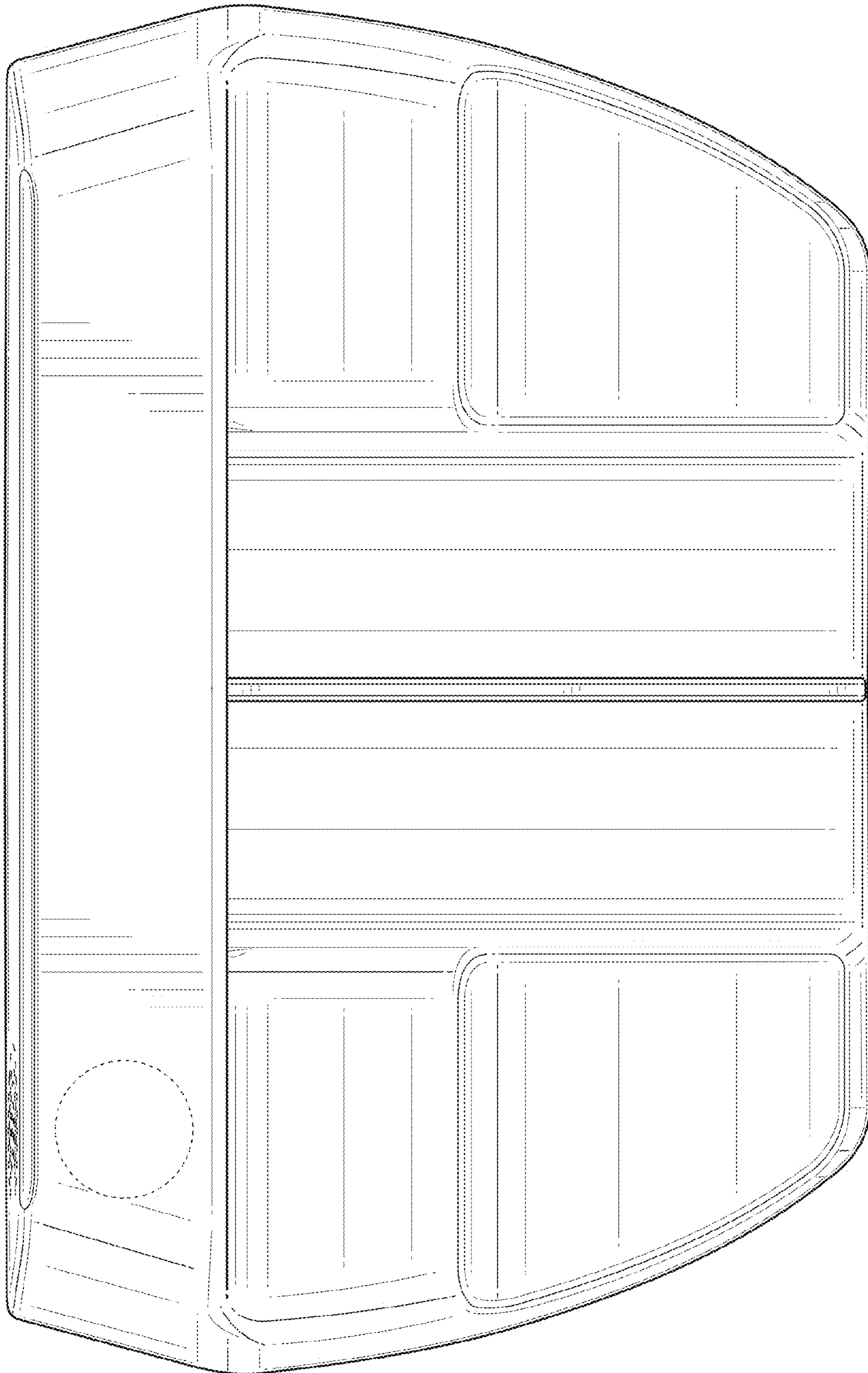


FIG. 6

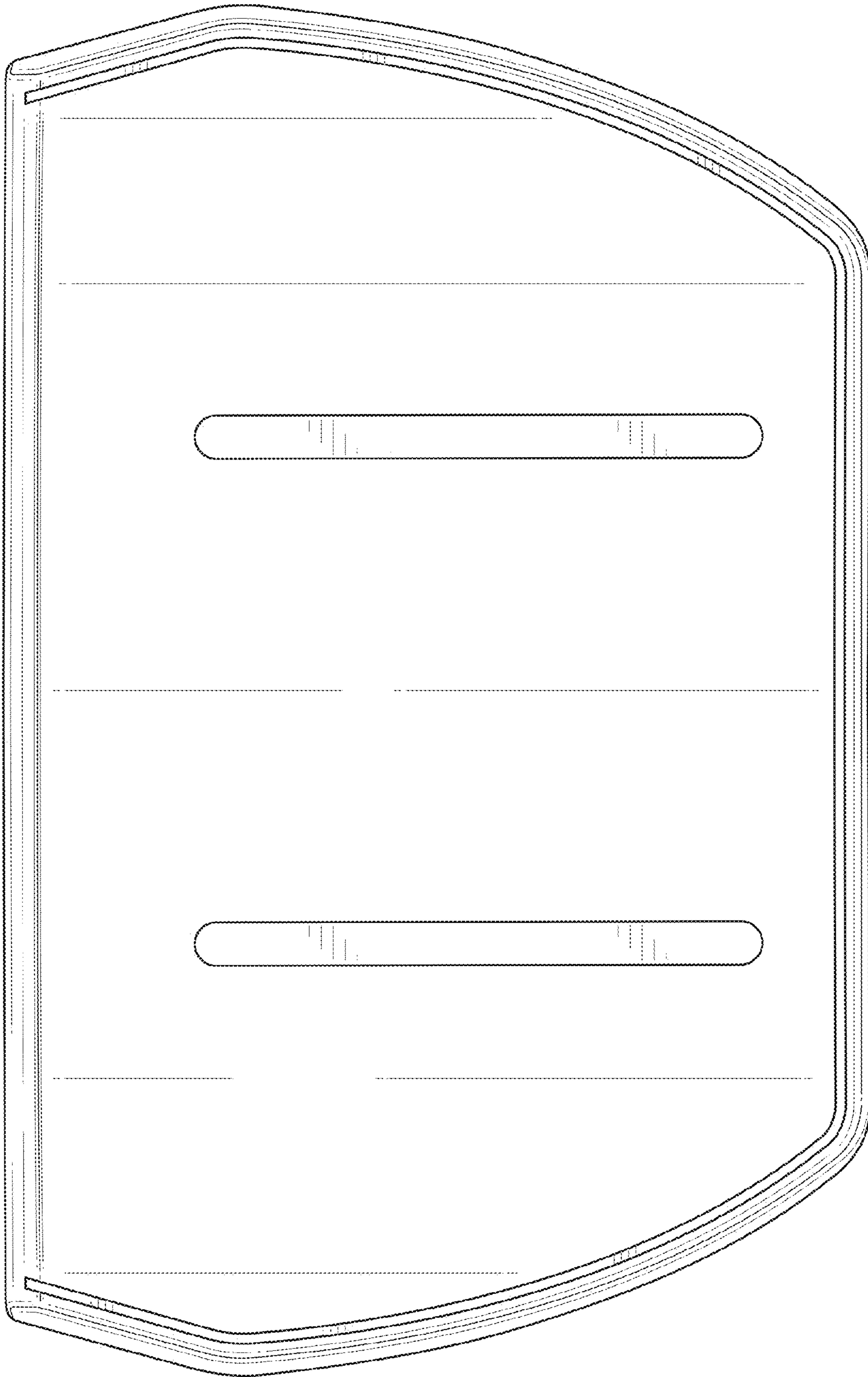


FIG. 7

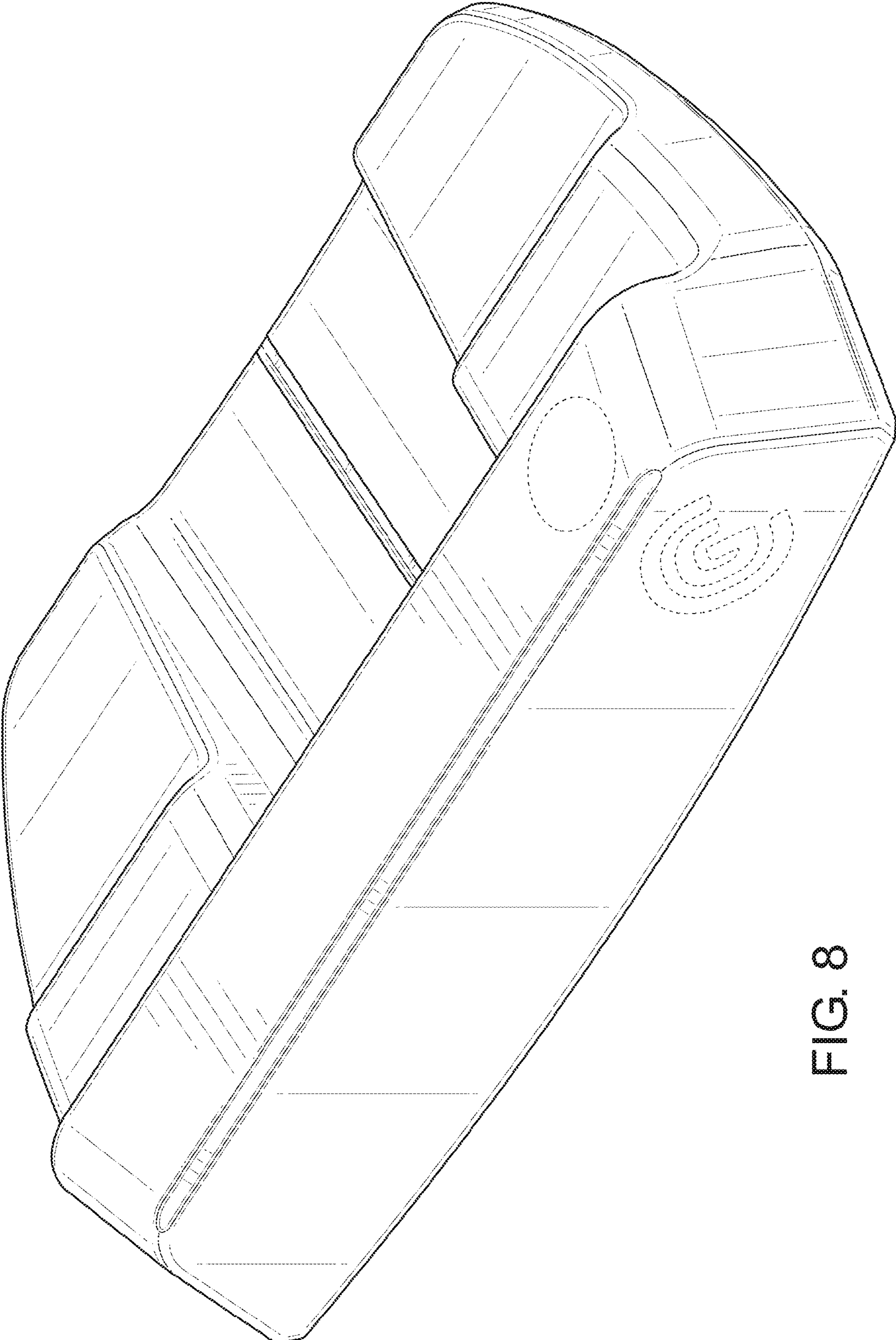


FIG. 8