



US00D929518S

(12) **United States Design Patent**
Agrella

(10) **Patent No.:** **US D929,518 S**

(45) **Date of Patent:** **** Aug. 31, 2021**

(54) **GOLF CLUB HEAD**

(71) Applicant: **SUMITOMO RUBBER INDUSTRIES, LTD.**, Kobe (JP)

(72) Inventor: **Alexandra Agrella**, Huntington Beach, CA (US)

(73) Assignee: **SUMITOMO RUBBER INDUSTRIES, LTD.**, Kobe (JP)

(**) Term: **15 Years**

(21) Appl. No.: **29/731,317**

(22) Filed: **Apr. 14, 2020**

(51) **LOC (13) Cl.** **21-02**

(52) **U.S. Cl.**
USPC **D21/744**

(58) **Field of Classification Search**
USPC D21/736-746, 759
CPC A63B 53/00; A63B 53/04; A63B 53/007;
A63B 53/065; A63B 53/0487; A63B
60/00; A63B 60/46
See application file for complete search history.

(56) **References Cited**

U.S. PATENT DOCUMENTS

D231,624 S *	5/1974	Wilmoth	D21/741
D298,767 S *	11/1988	Szczepanski	D21/744
D380,029 S *	6/1997	Anderson	D21/745
D396,083 S *	7/1998	Sheets	D21/742
D400,610 S *	11/1998	Cameron	D21/742
D401,636 S *	11/1998	Duclos	D21/742
D444,194 S *	6/2001	Calabro	D21/738
D491,991 S *	6/2004	Friebus	D21/738
D532,468 S *	11/2006	Hettinger	D21/743
D543,598 S *	5/2007	Kuan	D21/736
D590,463 S *	4/2009	Hettinger	D21/743
D634,801 S *	3/2011	Rollinson	D21/743
D648,408 S *	11/2011	Teramoto	D21/743

D715,388 S *	10/2014	Serrano	D21/743
D774,610 S *	12/2016	Serrano	D21/744
D779,006 S *	2/2017	Abbott	D21/744
D796,603 S *	9/2017	Serrano	D21/744
D797,222 S *	9/2017	Serrano	D21/744
D832,950 S *	11/2018	Serrano	D21/746
D840,482 S *	2/2019	Serrano	D21/736
D860,353 S *	9/2019	Rollinson	D21/743
D865,091 S *	10/2019	Rollinson	D21/744
D873,358 S *	1/2020	Lee	D21/744
D879,222 S *	3/2020	Serrano	D21/742
D879,223 S *	3/2020	Serrano	D21/742
D896,903 S *	9/2020	Schweigert	D21/743
D898,846 S *	10/2020	Clarke	D21/743
D898,847 S *	10/2020	Clarke	D21/743
D898,848 S *	10/2020	Clarke	D21/743
D905,185 S *	12/2020	Rollinson	D21/759
D912,172 S *	3/2021	Toulon	D21/743
D913,389 S *	3/2021	Schweigert	D21/736

(Continued)

Primary Examiner — Mitchell I. Siegel

(74) *Attorney, Agent, or Firm* — Oliff PLC

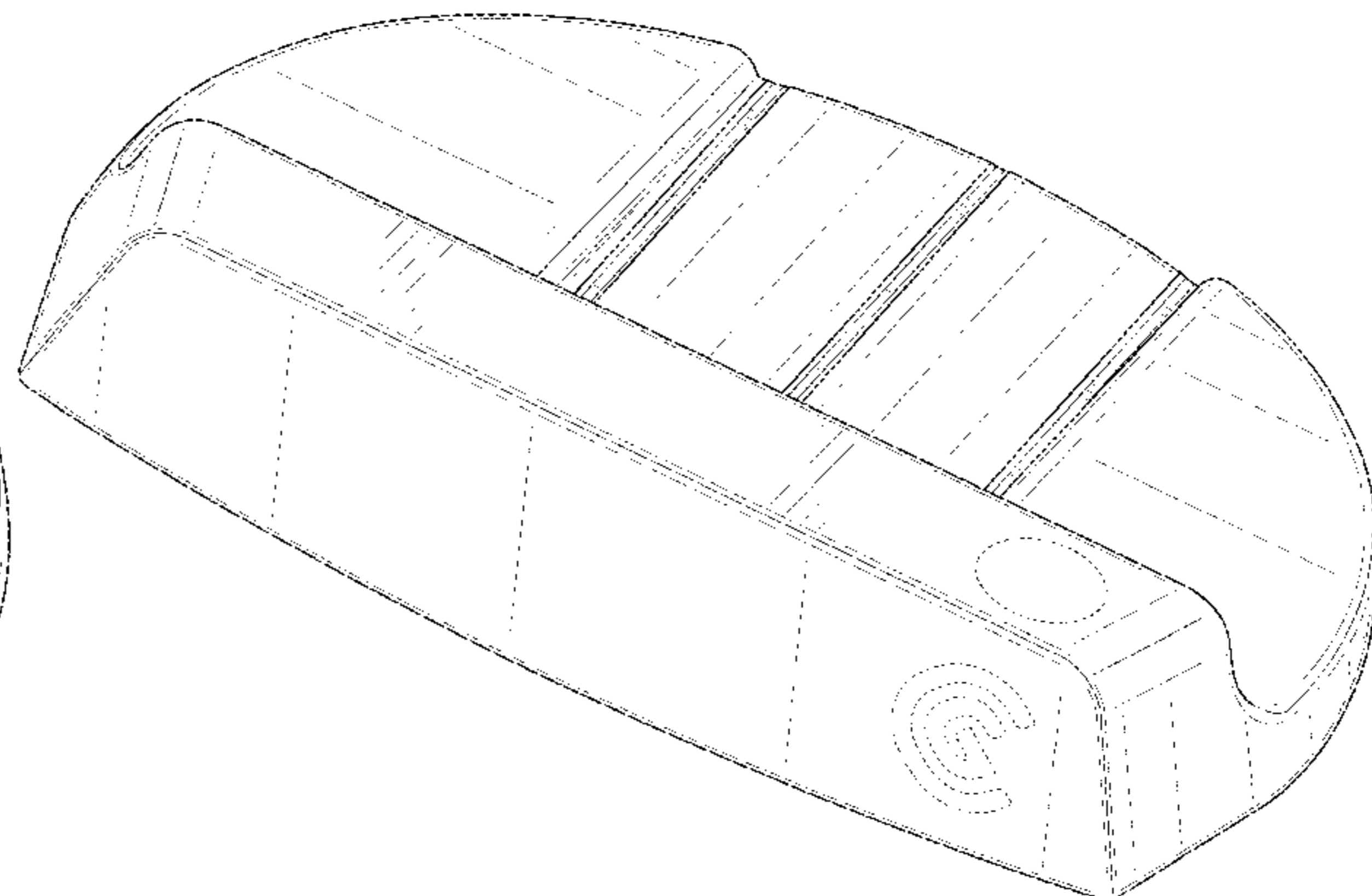
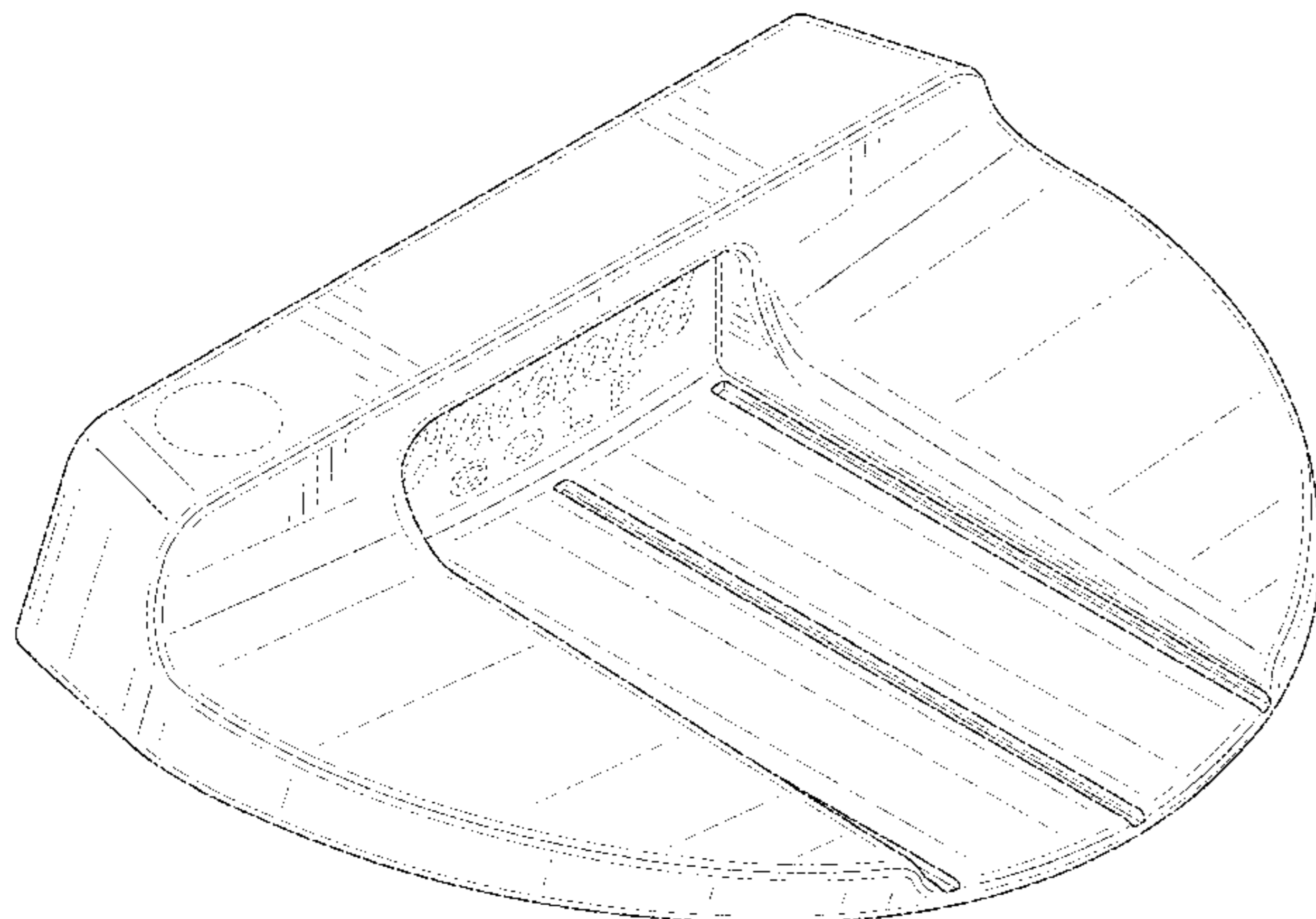
(57) **CLAIM**

The ornamental design for a golf club head, as shown and described.

DESCRIPTION

FIG. 1 is a rear, heel-side, top perspective view of the golf club head, showing the new design;
FIG. 2 is a rear elevational view thereof;
FIG. 3 is a front elevational view thereof;
FIG. 4 is a heel-side elevational view thereof;
FIG. 5 is a toe-side elevational view thereof;
FIG. 6 is a top plan view thereof;
FIG. 7 is a bottom plan view thereof; and,
FIG. 8 is a front, heel-side, top perspective view thereof.
The broken lines depict parts of the golf club head that form no part of the claimed design.

1 Claim, 8 Drawing Sheets



(56)

References Cited

U.S. PATENT DOCUMENTS

2006/0223646 A1 * 10/2006 Rife A63B 53/0487
473/251

* cited by examiner

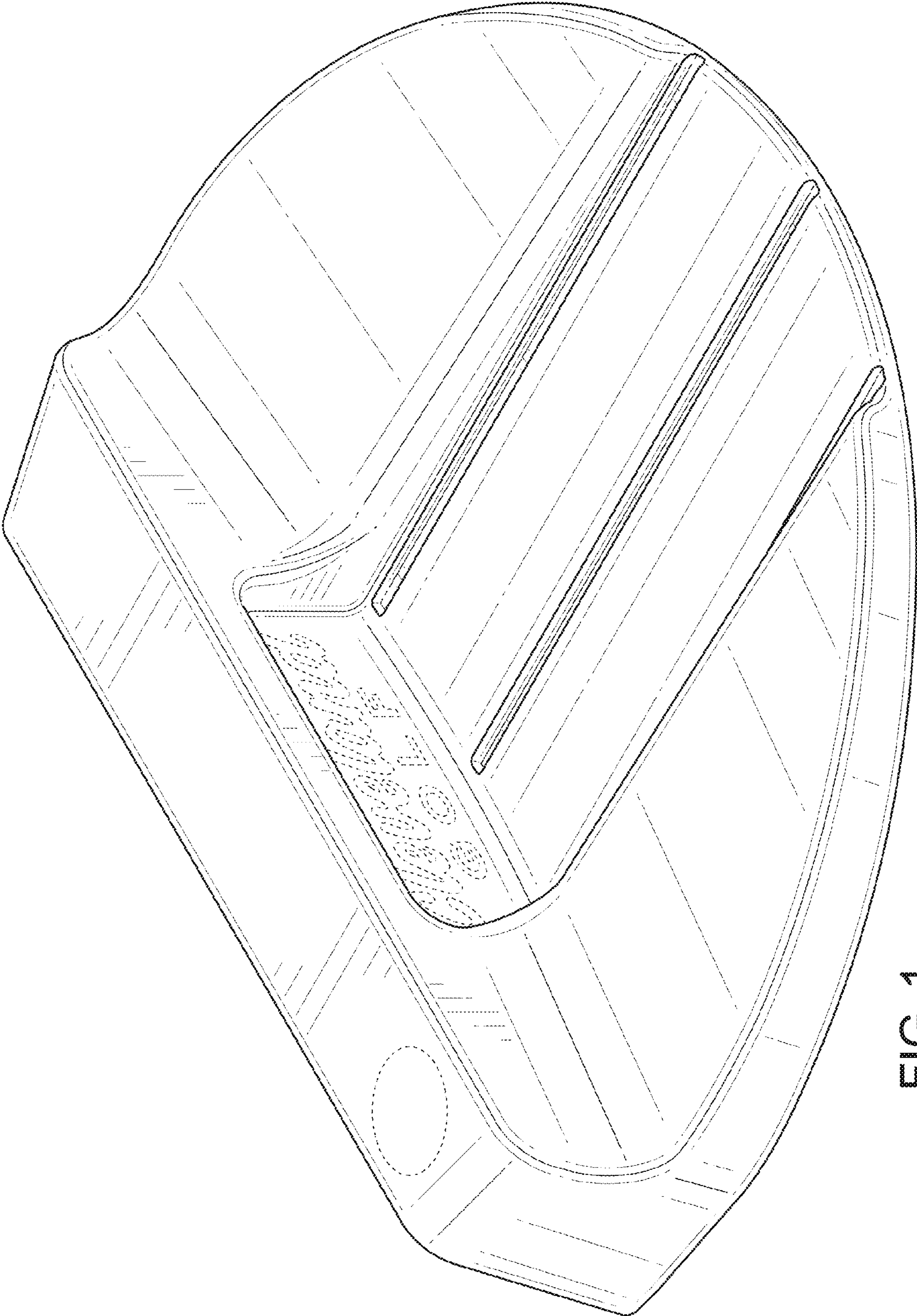


FIG. 1

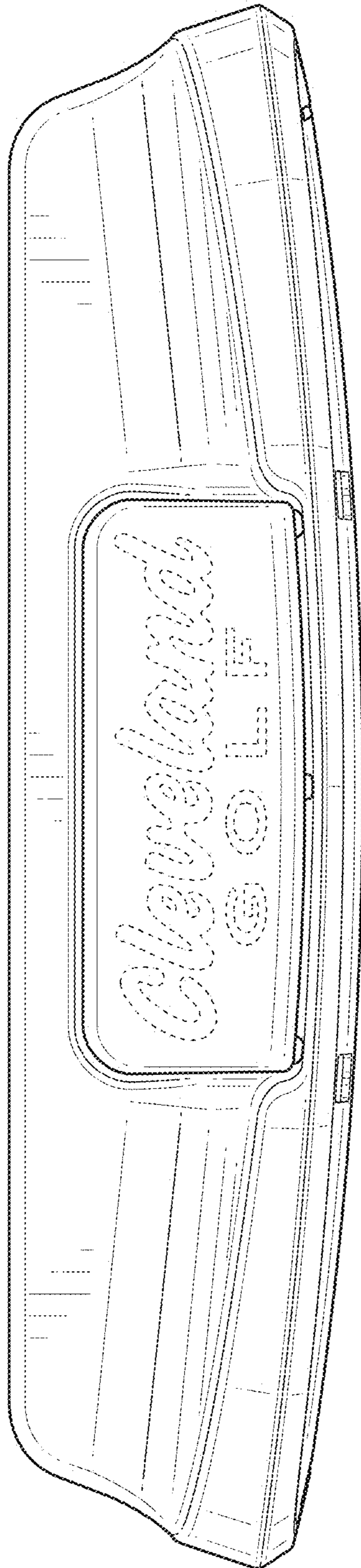


FIG. 2

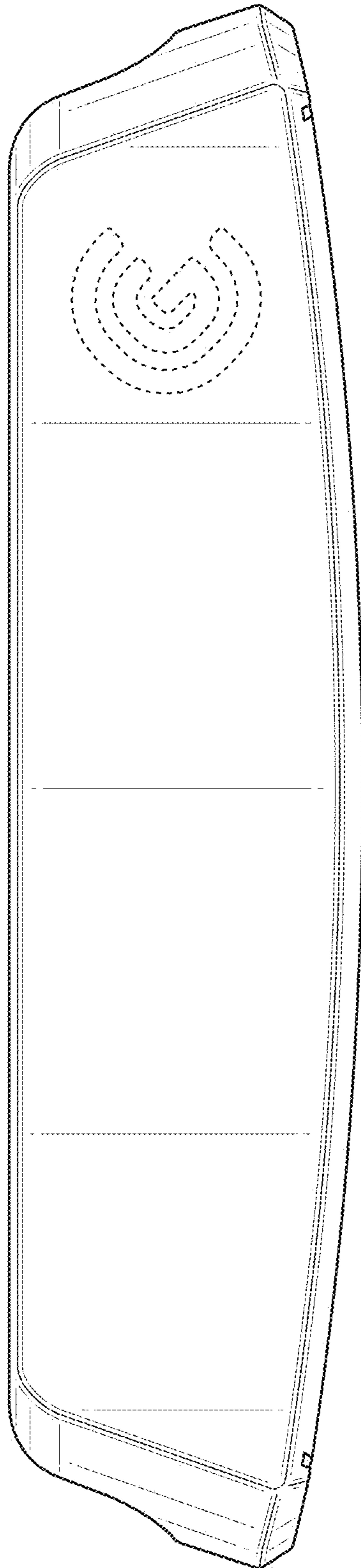


FIG. 3

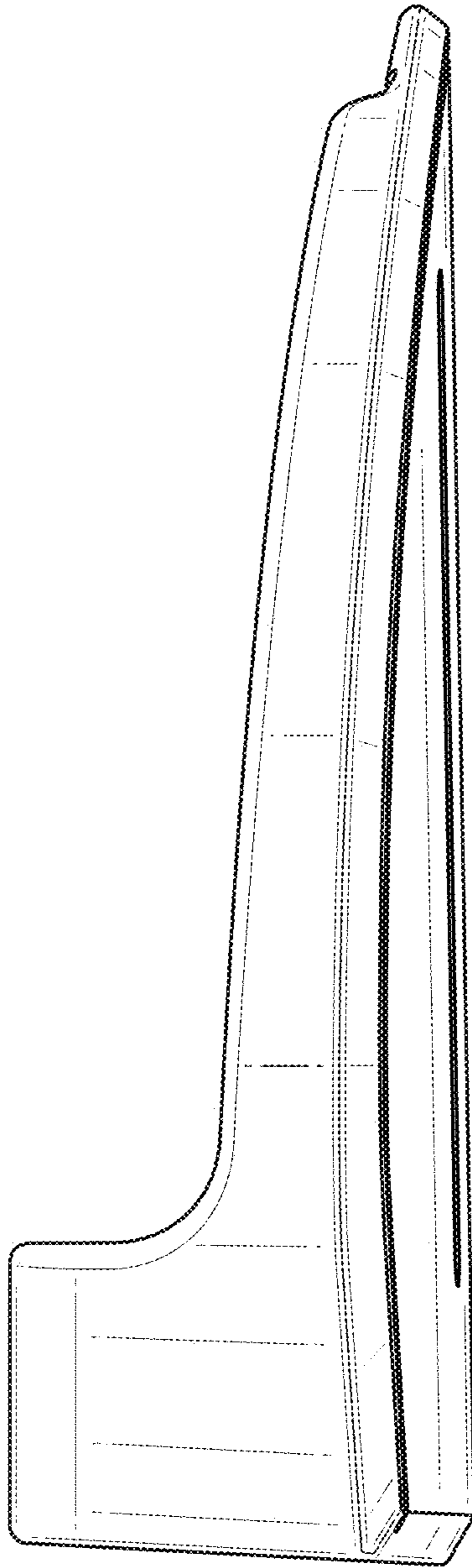


FIG. 4

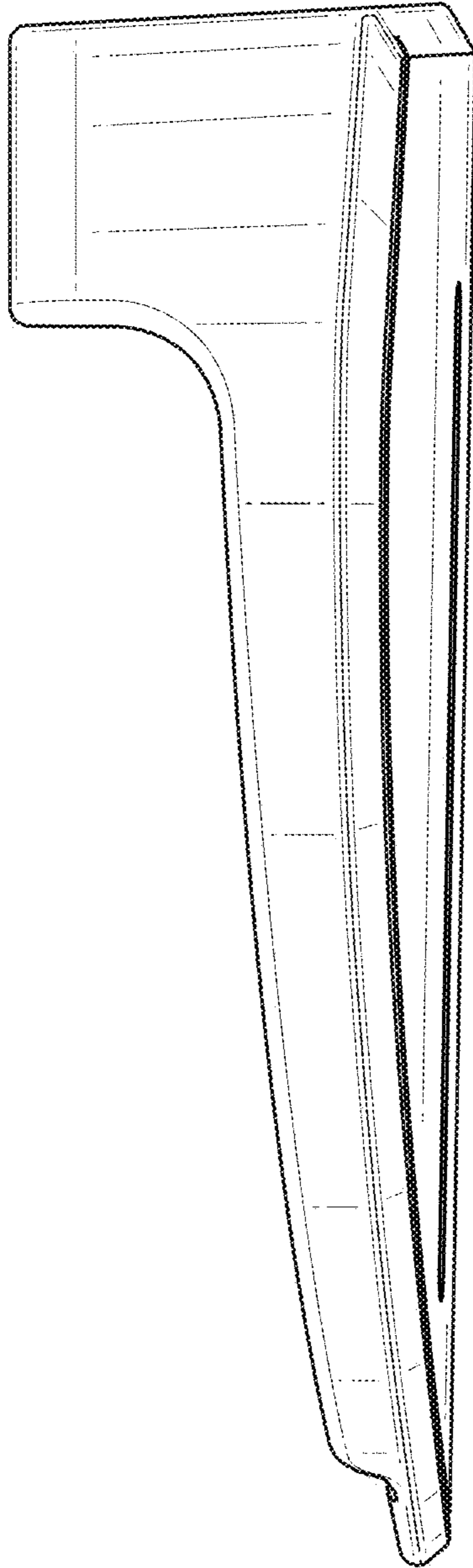


FIG. 5

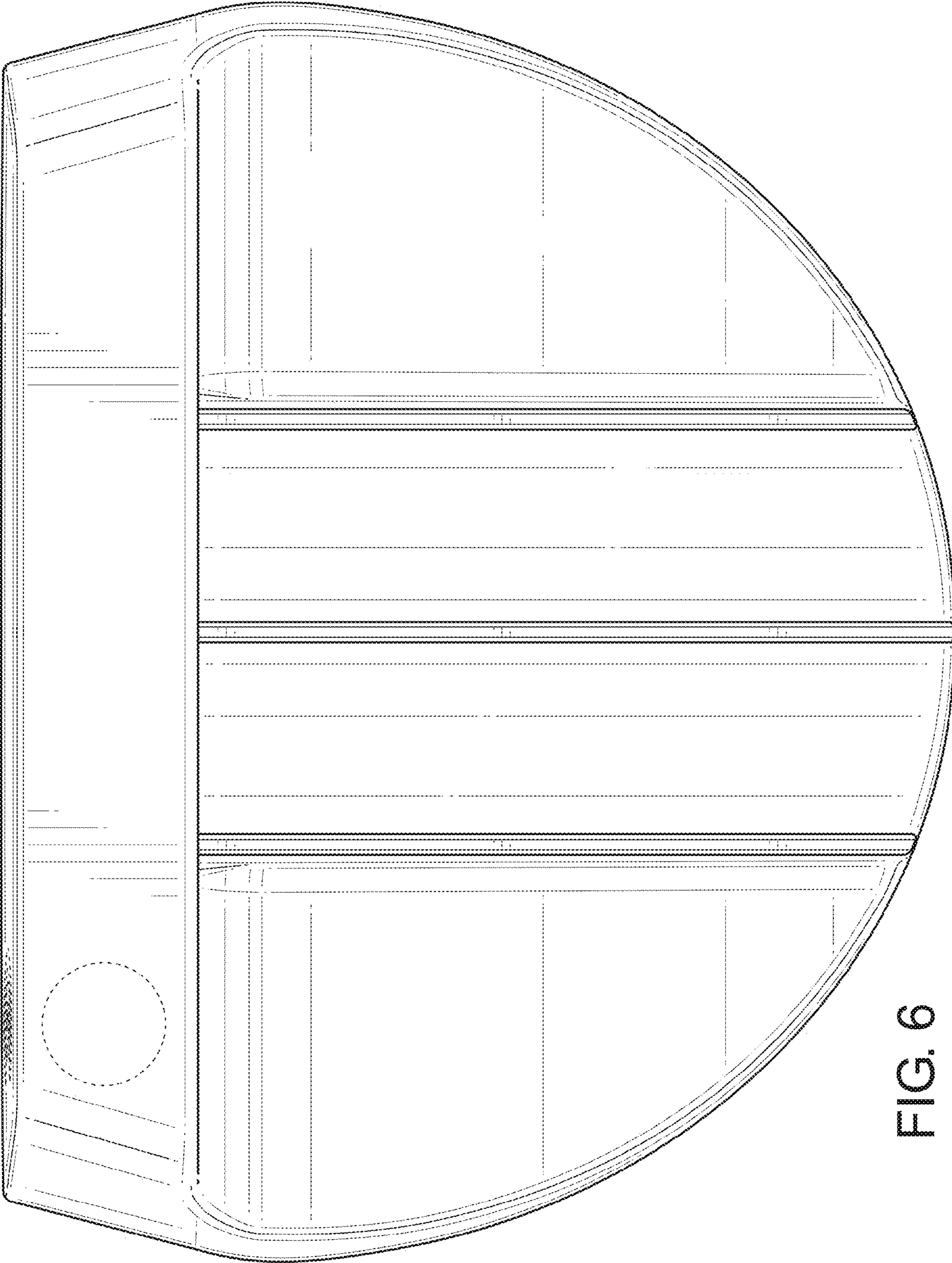


FIG. 6

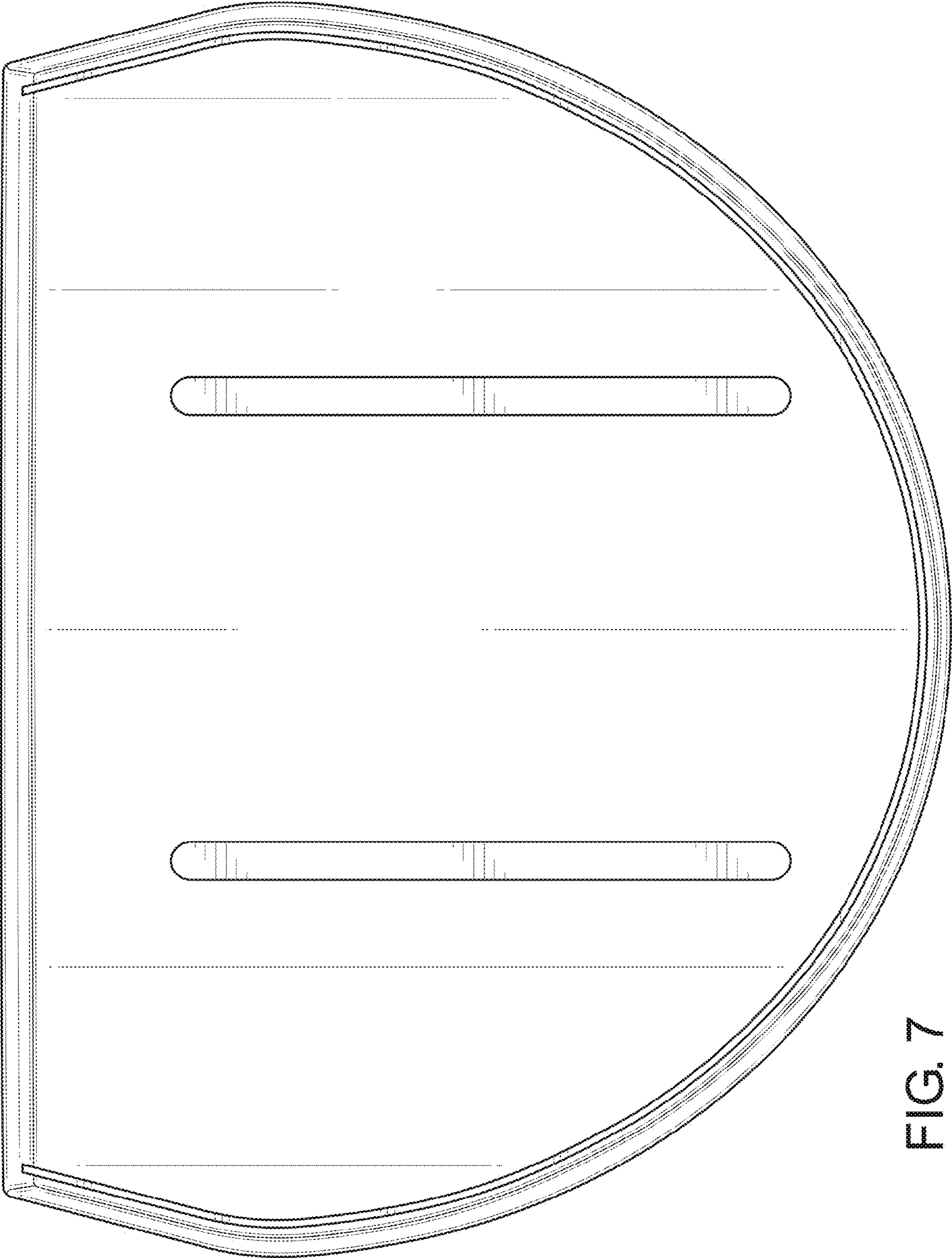


FIG. 7

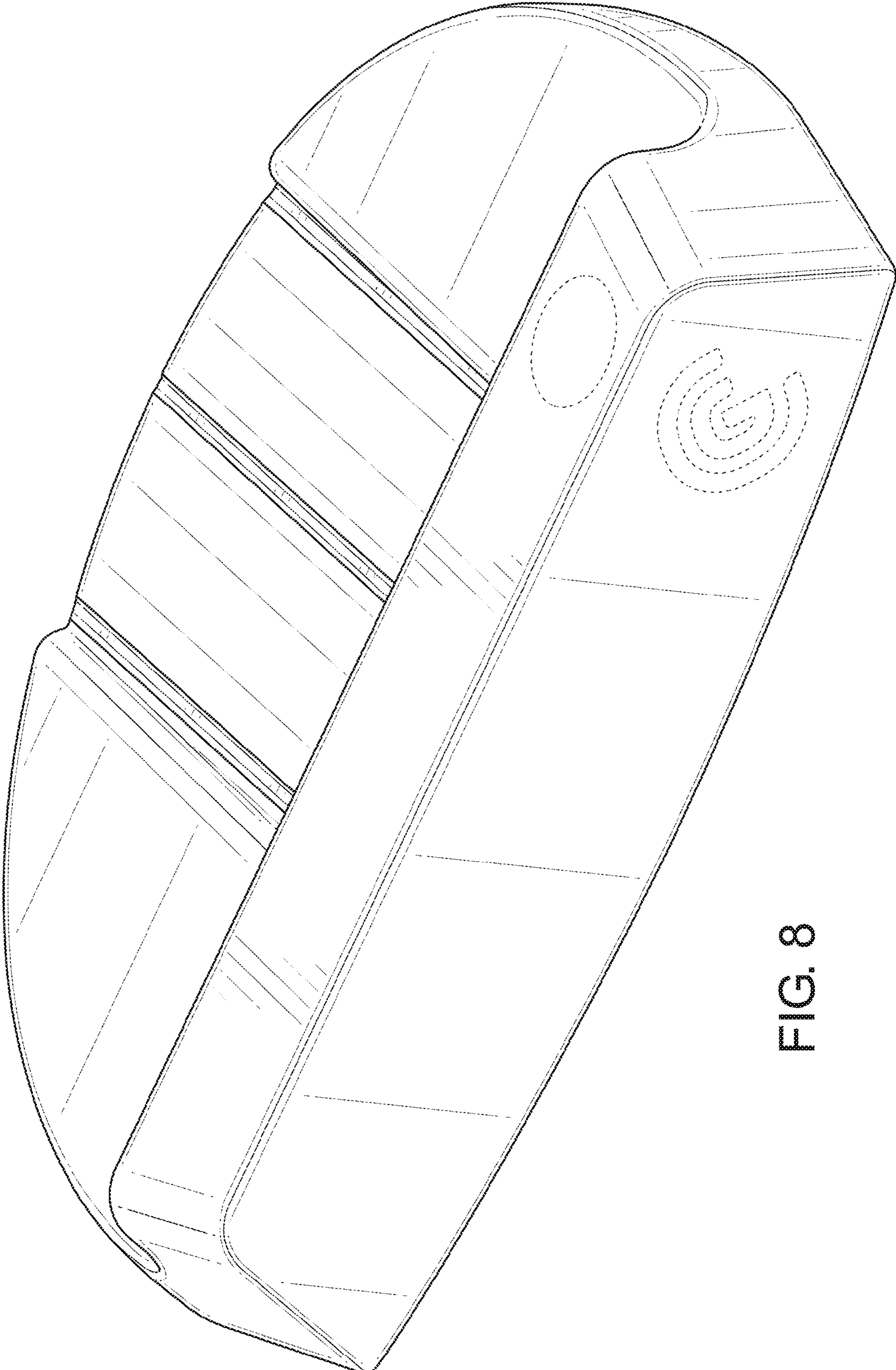


FIG. 8